



US00D778088S

(12) **United States Design Patent**
Hiyoshi et al.

(10) **Patent No.:** **US D778,088 S**
(45) **Date of Patent:** **** Feb. 7, 2017**

- (54) **TABLE**
- (71) Applicant: **Steelcase Inc.**, Grand Rapids, MI (US)
- (72) Inventors: **Yuka Hiyoshi**, Grand Rapids, MI (US);
Mark McKenna, East Grand Rapids,
MI (US); **Joseph Iacovoni**, Caledonia,
MI (US)
- (73) Assignee: **Steelcase Inc.**, Grand Rapids, MI (US)
- (**) Term: **15 Years**
- (21) Appl. No.: **29/565,310**
- (22) Filed: **May 19, 2016**
- (51) **LOC (10) Cl.** **06-04**
- (52) **U.S. Cl.**
USPC **D6/691; D6/707.15**
- (58) **Field of Classification Search**
USPC D6/691, 691.1, 691.3, 657, 691.8, 693.1,
D6/695.6, 696.3, 707.15, 335
CPC A47B 7/00; A47B 13/00; A47B 13/02;
A47B 13/04; A47B 13/06; A47B 13/08;
A47B 2200/001; A47B 2200/11; A47B
9/00; A47B 9/005
See application file for complete search history.

- (56) **References Cited**
U.S. PATENT DOCUMENTS
891,141 A 6/1908 Bryan
D163,170 S 5/1951 Eibetz
D178,783 S * 9/1956 King D6/686
2,882,957 A 4/1959 Anderson
D278,577 S 4/1985 Gwathmey et al.
D283,177 S 4/1986 Swims
D286,598 S * 11/1986 Berry, Jr. D6/707.15
4,767,159 A 8/1988 Opsvik

- D299,093 S 12/1988 Burdick
- D299,196 S 1/1989 Frinier
- D322,178 S 12/1991 Pons
- D342,166 S 12/1993 Heidmann
- D345,476 S 3/1994 Burdick et al.
- D373,030 S 8/1996 Chen
- D398,452 S 9/1998 Reddig
- D428,713 S 8/2000 Arko et al.
- 6,102,475 A 8/2000 Hamann
- D493,292 S 7/2004 Seiler
- D538,061 S * 3/2007 Daniel D6/691.9
- D568,622 S 5/2008 Little et al.
- D580,201 S * 11/2008 Davis D6/707.15
- D591,539 S 5/2009 Bracher
- D615,785 S * 5/2010 Goldberg D6/707.15
- D655,952 S 3/2012 McCurry
- D659,434 S * 5/2012 Sofield D6/691.8
- D659,441 S 5/2012 Arko et al.
- D666,845 S * 9/2012 Lievore D6/691
- D666,846 S * 9/2012 Vizzaccaro Arcudia ... D6/691.8
- D675,462 S * 2/2013 Petrovich D6/691.8
- D676,683 S 2/2013 Martin et al.

(Continued)

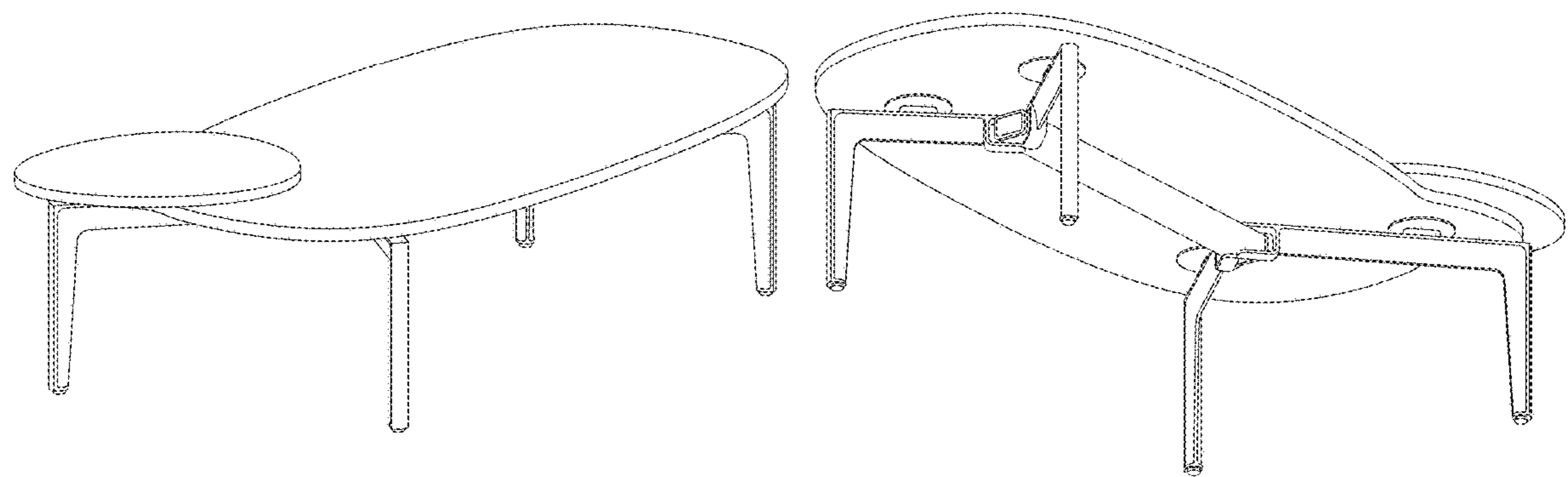
Primary Examiner — Robin V Webster
Assistant Examiner — James Thorn, Sr.

(57) **CLAIM**
The ornamental design for a table, as shown and described.

DESCRIPTION

FIG. 1 is a top perspective view of a table;
FIG. 2 is a bottom perspective view of the table of FIG. 1;
FIG. 3 is a front view of the table of FIG. 1;
FIG. 4 is a rear view of the table of FIG. 1;
FIG. 5 is a left side view of the table of FIG. 1;
FIG. 6 is a right side view of the table of FIG. 1;
FIG. 7 is a top view of the table of FIG. 1; and,
FIG. 8 is a bottom view of the table of FIG. 1.

1 Claim, 6 Drawing Sheets



(56)

References Cited

U.S. PATENT DOCUMENTS

D683,556 S	6/2013	Stromborg	
D685,585 S	7/2013	Udagawa et al.	
D696,542 S	12/2013	Stromborg	
D757,464 S *	5/2016	Chiang	D6/642
2013/0092059 A1 *	4/2013	Brutter	E04H 9/02
			108/11
2015/0083870 A1 *	3/2015	Steelman	F16B 12/44
			248/121
2015/0265049 A1	9/2015	Azumi et al.	

* cited by examiner

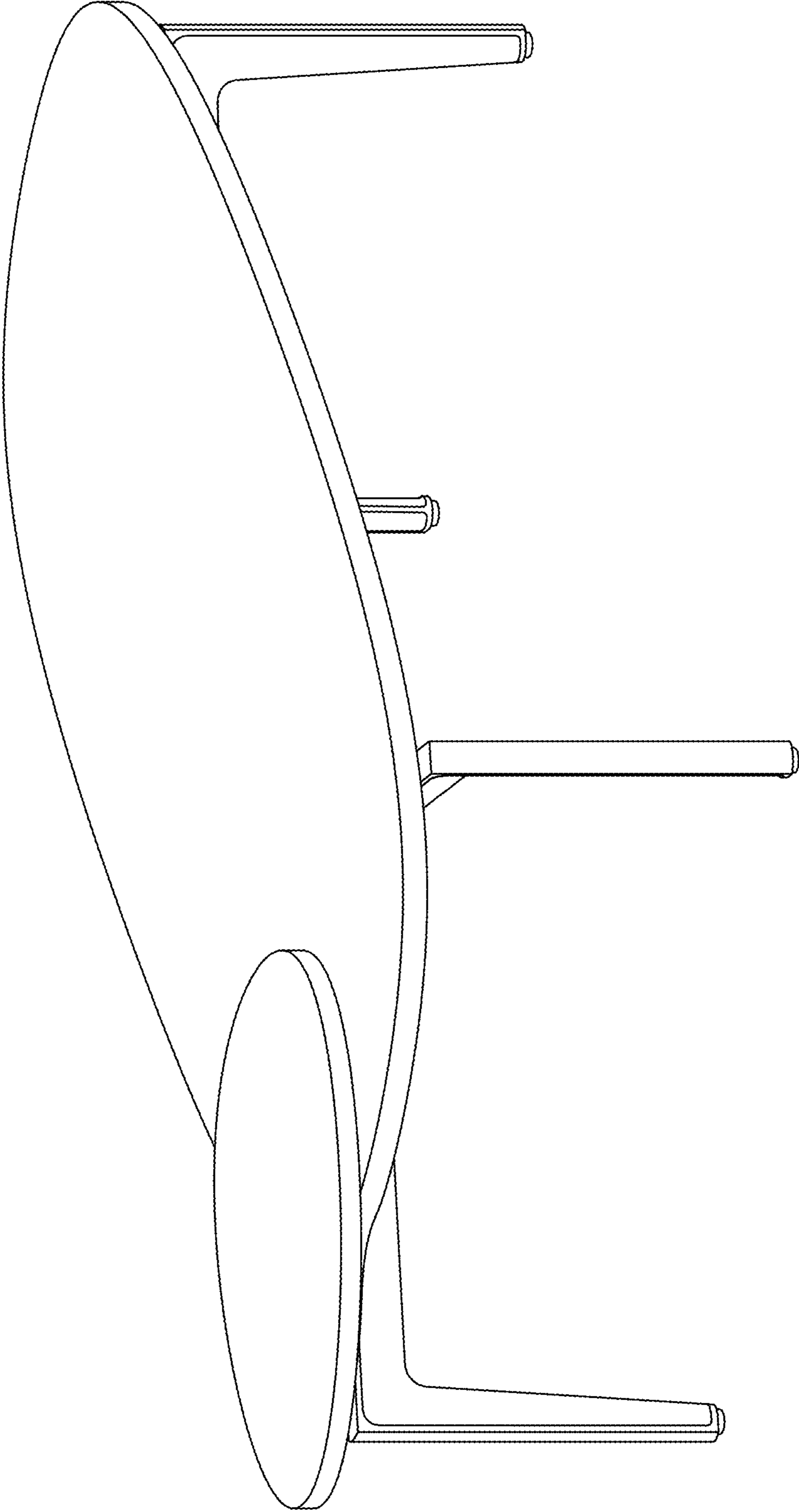


FIG. 1

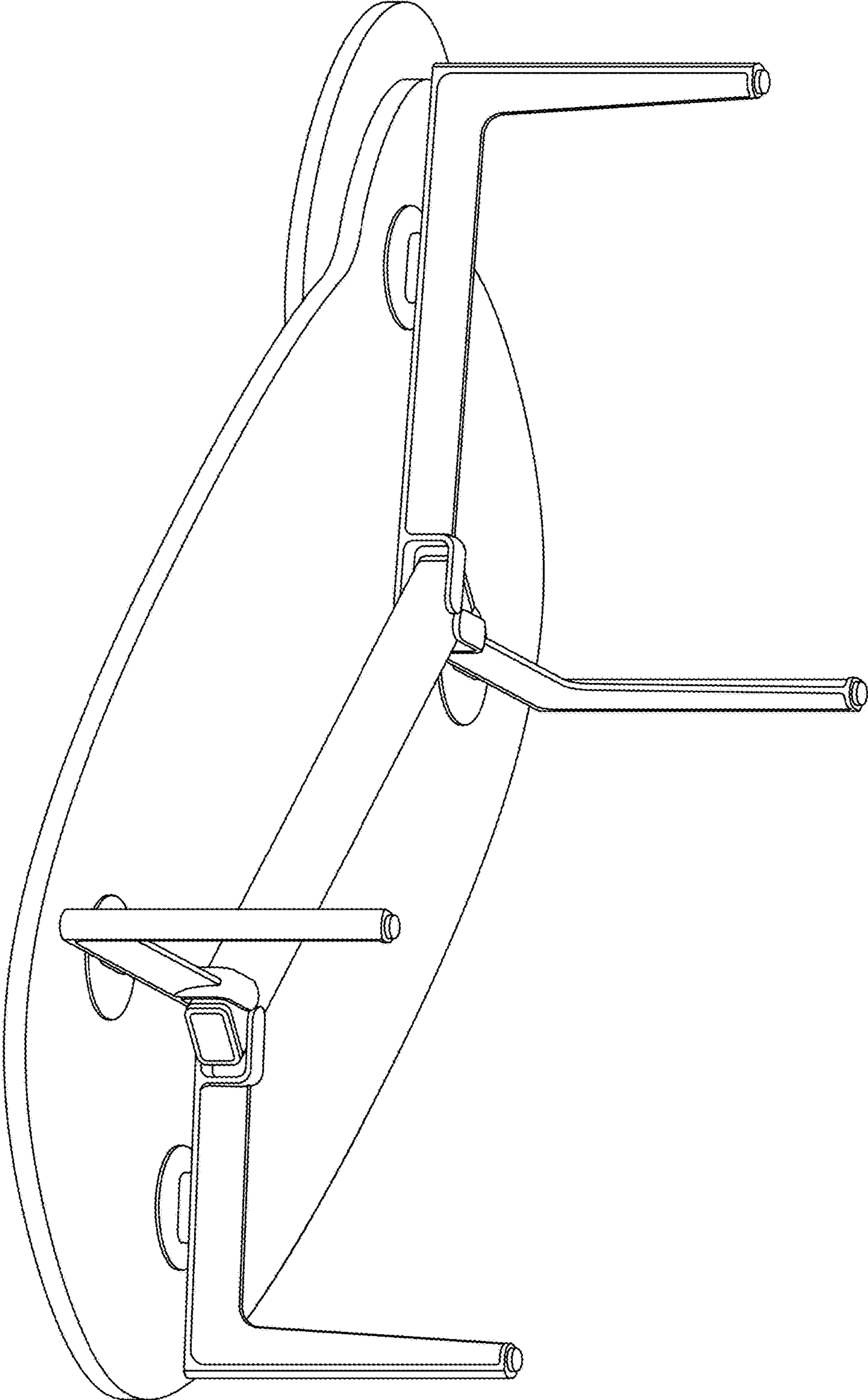


FIG. 2

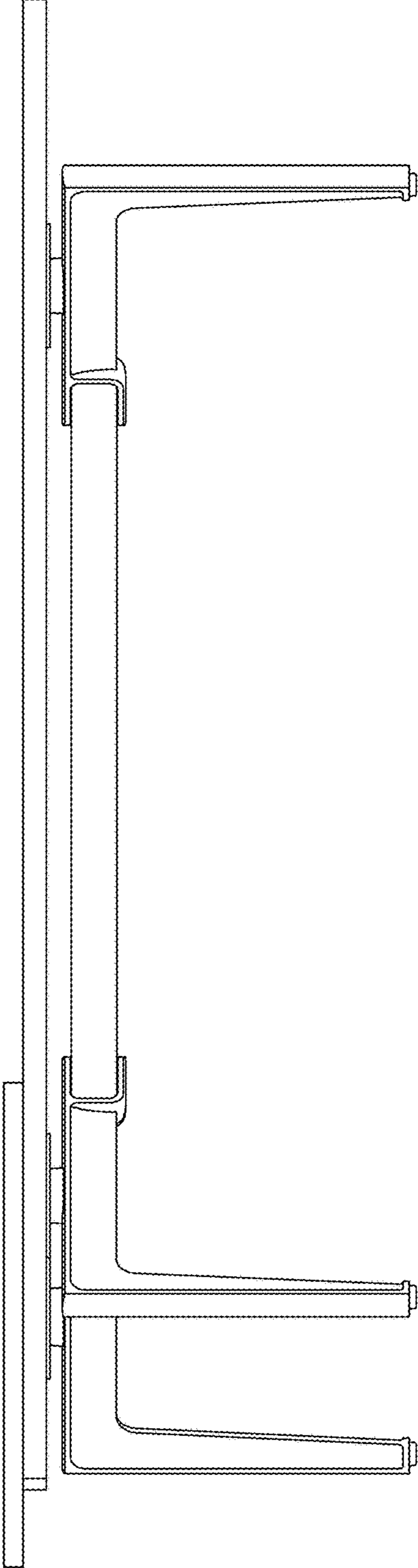


FIG. 3

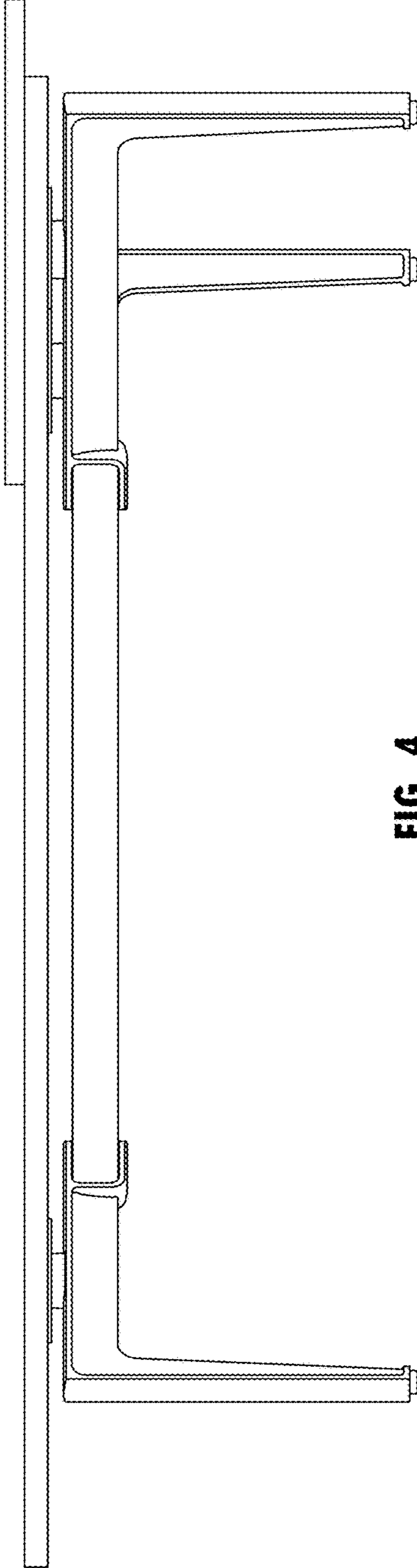


FIG. 4

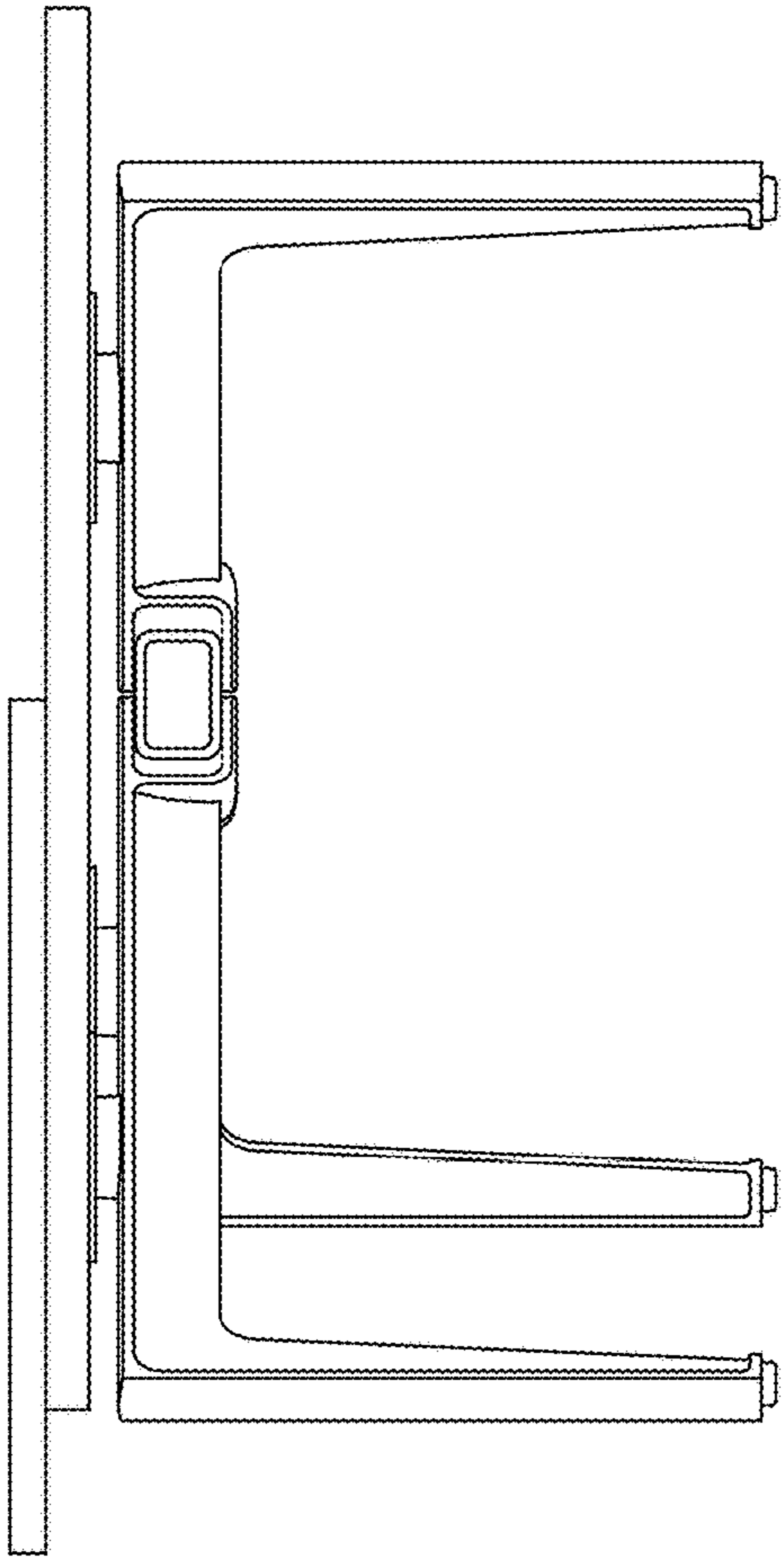


FIG. 5

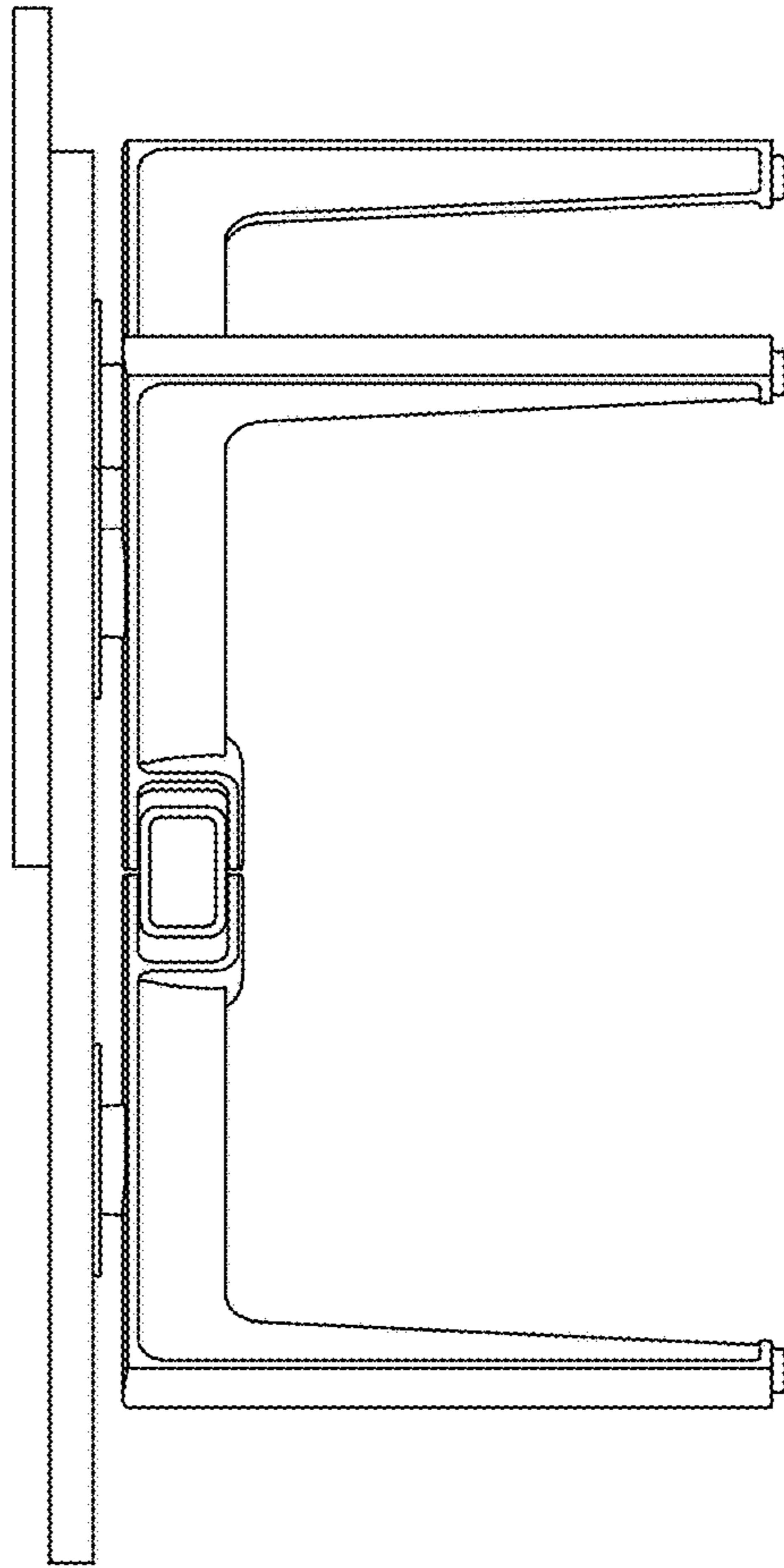


FIG. 6

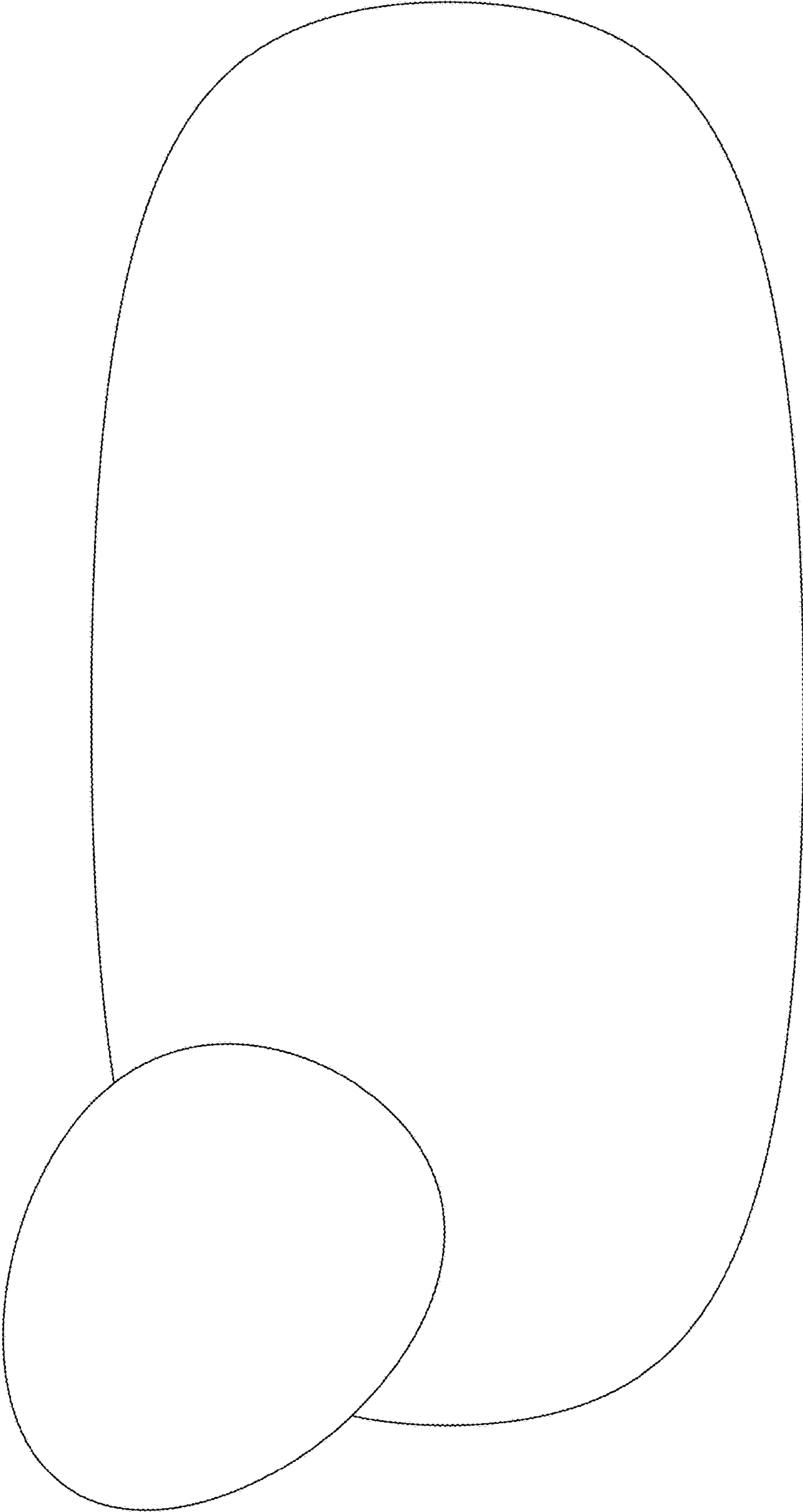


FIG. 7

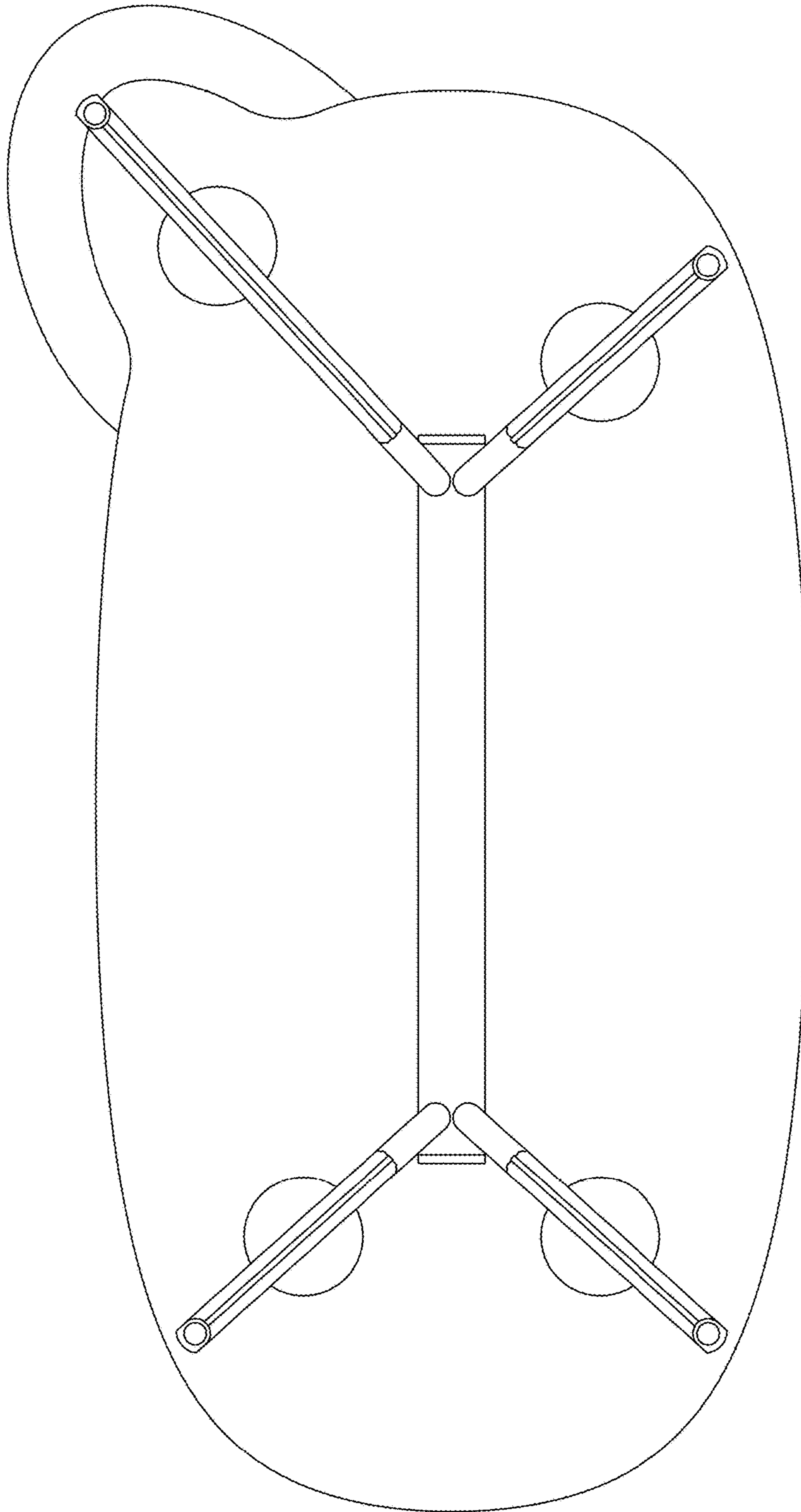


FIG. 8