



US00D778086S

(12) **United States Design Patent**
O'Meara et al.

(10) **Patent No.:** **US D778,086 S**

(45) **Date of Patent:** **** Feb. 7, 2017**

(54) **TRAVEL PILLOW**

5,974,607 A 11/1999 Smith
D420,845 S 2/2000 Ramage
6,230,348 B1 5/2001 Patrikakis
(Continued)

(71) Applicant: **GAS BRAND STARTER, LLC**,
Boulder, CO (US)

FOREIGN PATENT DOCUMENTS

(72) Inventors: **Sean O'Meara**, La Mesa, CA (US);
Glenn Maddocks, Boulder, CO (US)

CA 2600812 9/2006
GB 2510644 8/2014
(Continued)

(73) Assignee: **GAS BRAND STARTER, LLC**,
Boulder, CO (US)

OTHER PUBLICATIONS

(**) Term: **15 Years**

Cabeau • Evolution Cool, <https://www.cabeau.com/products/evolution-cool/>.

(21) Appl. No.: **29/537,124**

(Continued)

(22) Filed: **Aug. 21, 2015**

(51) **LOC (10) Cl.** **06-09**

(52) **U.S. Cl.**
USPC **D6/601**

(58) **Field of Classification Search**
USPC D6/582-583, 587-592,
595-609, D6/617-622; D21/803-809;
D24/183

CPC A47G 9/00; A47G 2009/001; A47G
2009/002; A47G 2009/003; A47G 9/10;
A47G 9/1009; A47G 2009/1018; A47G
9/1045; A47G 9/1081; A47G 9/109

See application file for complete search history.

Primary Examiner — Mary Ann Calabrese
Assistant Examiner — Jennifer L Rempfer
(74) *Attorney, Agent, or Firm* — Rocky Mountain Patent,
LLC

(57) **CLAIM**

The ornamental design for a travel pillow, as shown and described.

DESCRIPTION

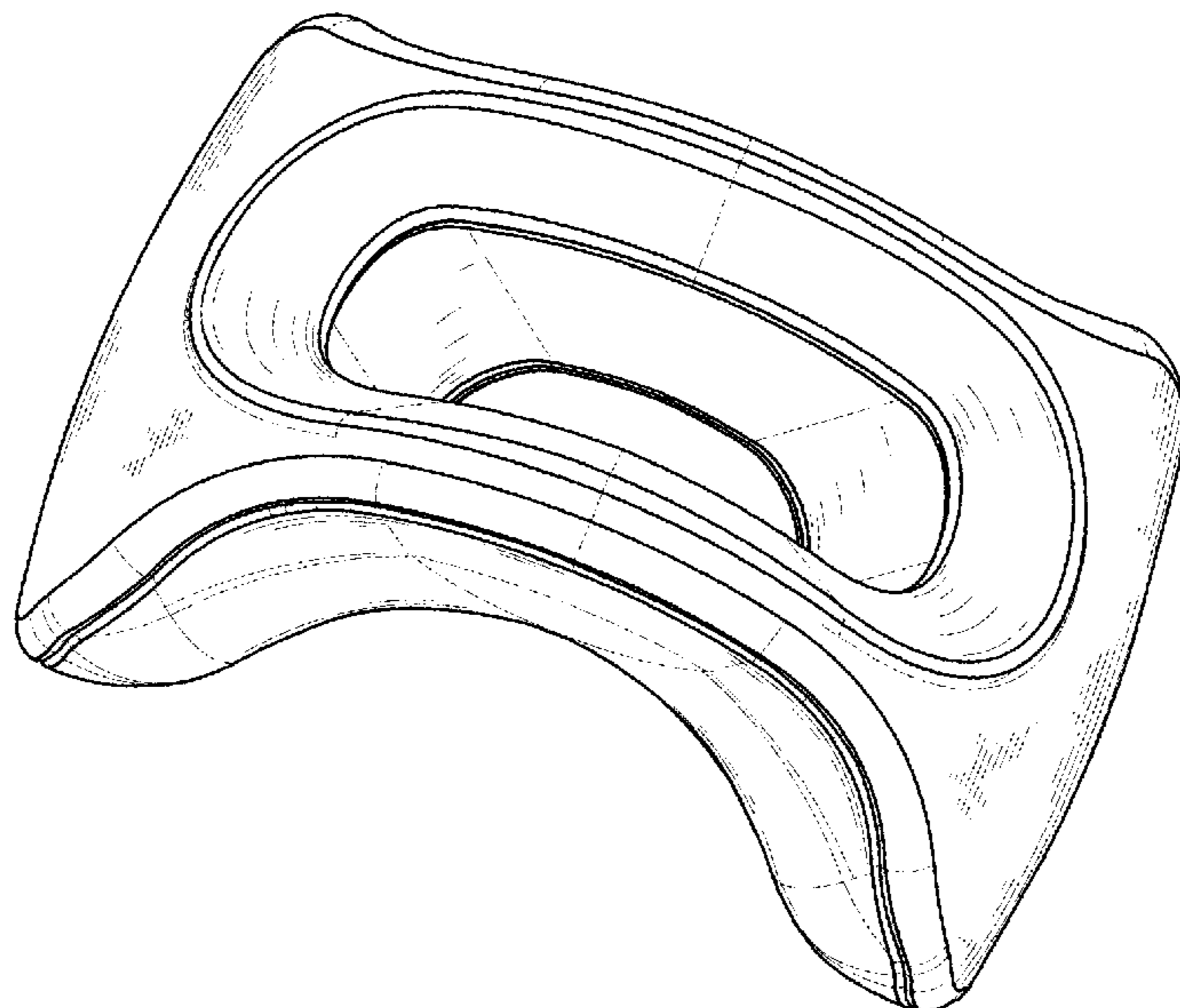
FIG. 1 is an upper perspective view of a travel pillow.
FIG. 2 is a lower perspective view of the travel pillow of FIG. 1.
FIG. 3 is a front view of the travel pillow of FIG. 1.
FIG. 4 is a rear view of the travel pillow of FIG. 1.
FIG. 5 is a top view of the travel pillow of FIG. 1.
FIG. 6 is a bottom view of the travel pillow of FIG. 1; and,
FIG. 7 is a left side view of the travel pillow of FIG. 1, of which the right side view is a mirror image.
Any broken line showing is for environmental purposes only and forms no part of the claimed design.

(56) **References Cited**

U.S. PATENT DOCUMENTS

4,285,081 A 8/1981 Price
4,345,347 A 8/1982 Kantor
4,562,833 A 1/1986 Pujals, Jr.
4,708,129 A 11/1987 Pujals, Jr.
5,154,649 A * 10/1992 Pender A47D 13/083
5/490
5,334,133 A 8/1994 Carroll
D396,594 S * 8/1998 Lefebvre D6/601

1 Claim, 7 Drawing Sheets



(56)

References Cited

U.S. PATENT DOCUMENTS

6,230,349 B1 5/2001 Silver
 D445,624 S 7/2001 Futagami
 D503,062 S 3/2005 Nash
 D522,300 S 6/2006 Roberts
 7,287,528 B2 10/2007 Ho
 D613,987 S * 4/2010 Heeter D6/601
 D619,402 S 7/2010 Sternlight
 D624,777 S * 10/2010 Pepys D6/601
 7,926,133 B2 4/2011 Xiao
 D637,439 S * 5/2011 Mettler D6/601
 8,066,079 B2 11/2011 De Boer
 8,144,913 B1 3/2012 Myles
 8,418,293 B2 4/2013 Tansingco
 8,646,135 B2 2/2014 Shamaingar
 D701,063 S 3/2014 Myers
 D704,963 S * 5/2014 McNeil D6/601
 8,806,679 B2 8/2014 Soto
 8,898,840 B1 12/2014 Majette
 9,021,636 B2 5/2015 Schwingendorf
 9,072,647 B2 7/2015 Porter
 9,113,732 B2 8/2015 Loth
 D739,668 S * 9/2015 Owens D6/601
 9,155,409 B2 10/2015 Cohen
 D746,080 S * 12/2015 Mittelstadt D6/601
 D753,415 S * 4/2016 Atawane D6/601
 2003/0135927 A1 * 7/2003 Hsia A47G 9/1009
 5/640
 2005/0264055 A1 * 12/2005 Lincoln A47C 7/383
 297/219.12
 2009/0013471 A1 1/2009 Yang

2009/0307846 A1 12/2009 Eura
 2013/0253395 A1 9/2013 Sandhu
 2014/0130261 A1 5/2014 Gumbrecht
 2015/0082546 A1 3/2015 Sternlight
 2015/0190266 A1 7/2015 Hollern
 2015/0216335 A1 8/2015 Schwingendorf
 2015/0257555 A1 9/2015 Wong
 2015/0257556 A1 9/2015 Morin
 2015/0274044 A1 10/2015 Kreppein
 2015/0314715 A1 11/2015 Kilgore

FOREIGN PATENT DOCUMENTS

KR 10-1538695 7/2015
 WO 2014105036 A1 7/2014
 WO 2016003372 A1 1/2016

OTHER PUBLICATIONS

Travel Pillow Neck Pillow Body Pillow Versatile Neck and Body.
<http://www.dhgate.com/store/product/travel-pillow-neck-pillow-body-pillow-total/121391551.html>.
 Memory Foam Neck Pillow. <https://www.necksofausa.com/blog/tag/memory-foam-neck-pillow/>.
 Bureau of Transportation Statistics. <http://www.transtats.bts.gov/>.
 Car Seat Headrest. http://www.banggood.com/Car-Seat-Headrest-Memory-Foam-Cotton-Neck-Support-Rest-Cushion-Travel-Pillow*p133223.html.
 Non-Final Office Action for U.S. Appl. No. 15/164,474, mailed Jul. 27, 2016.

* cited by examiner

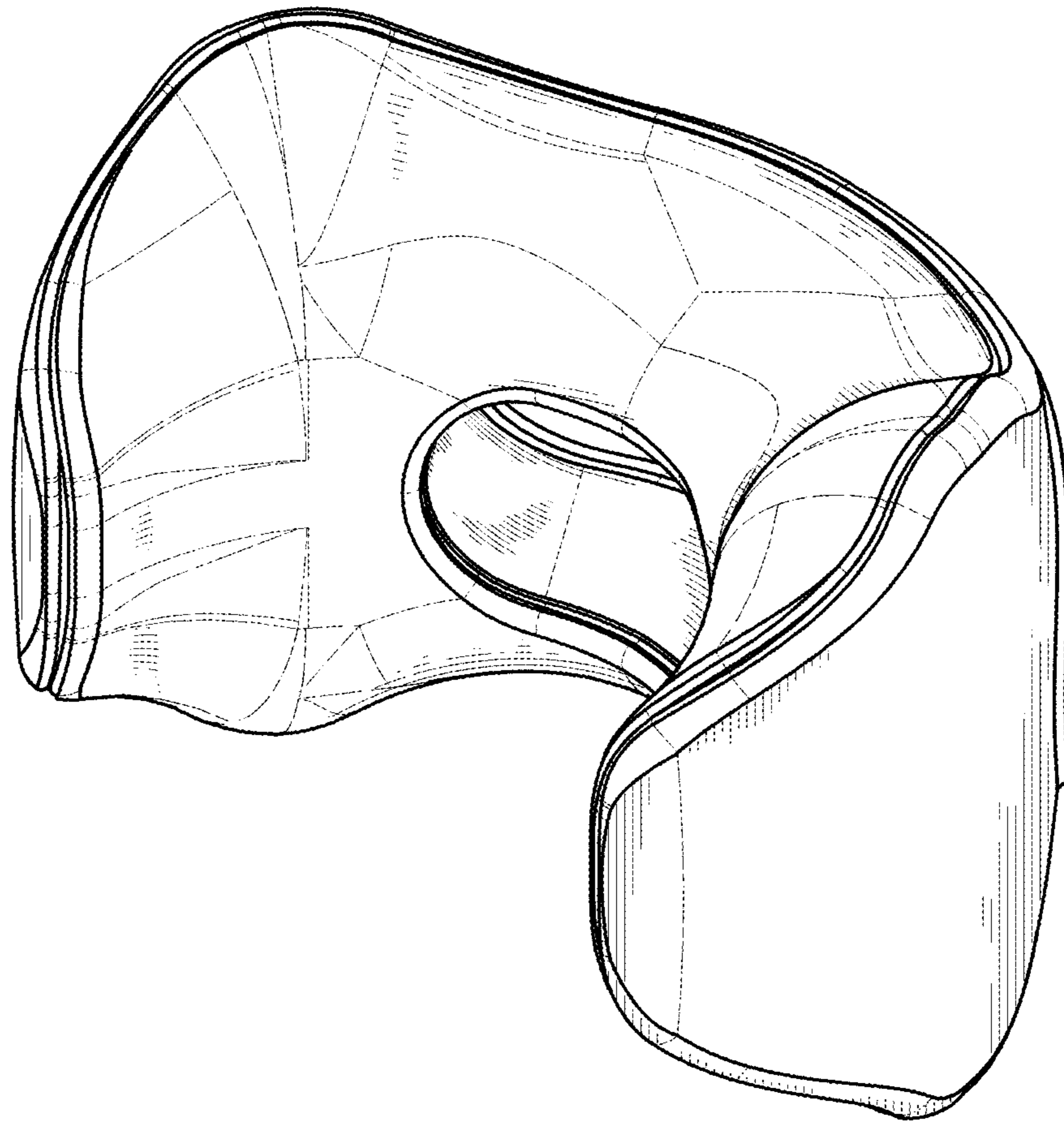


FIG. 1

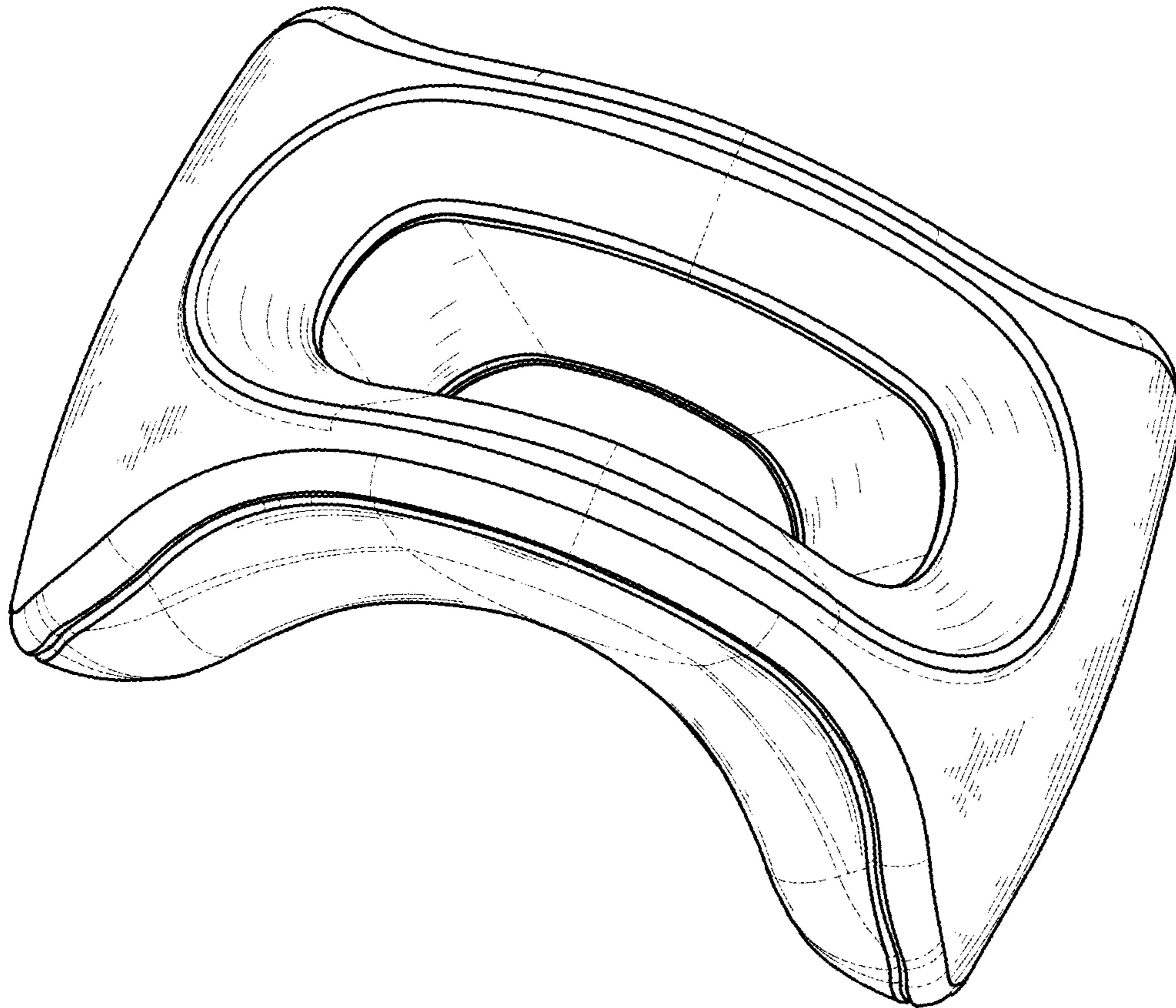


FIG. 2

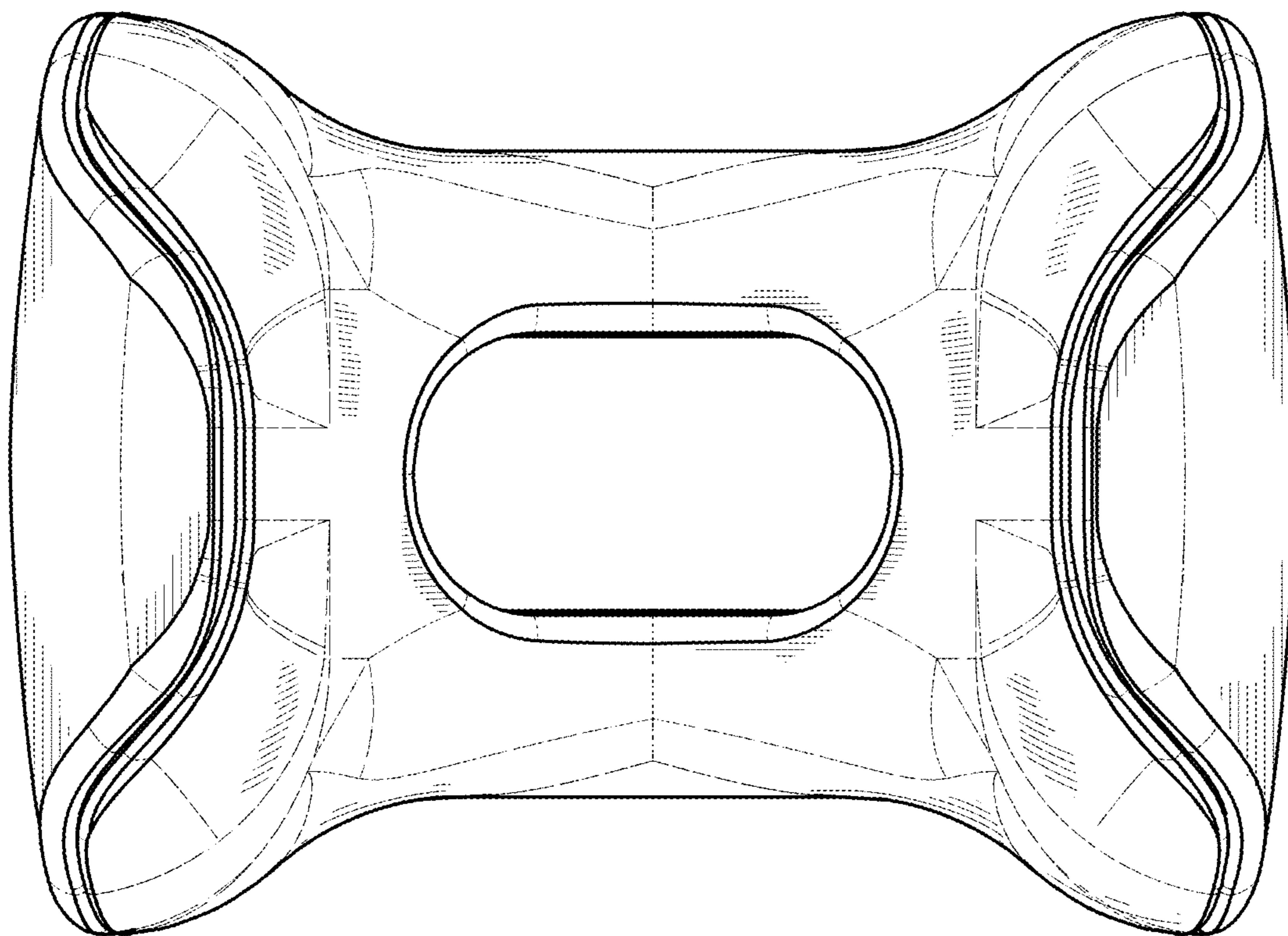


FIG. 3

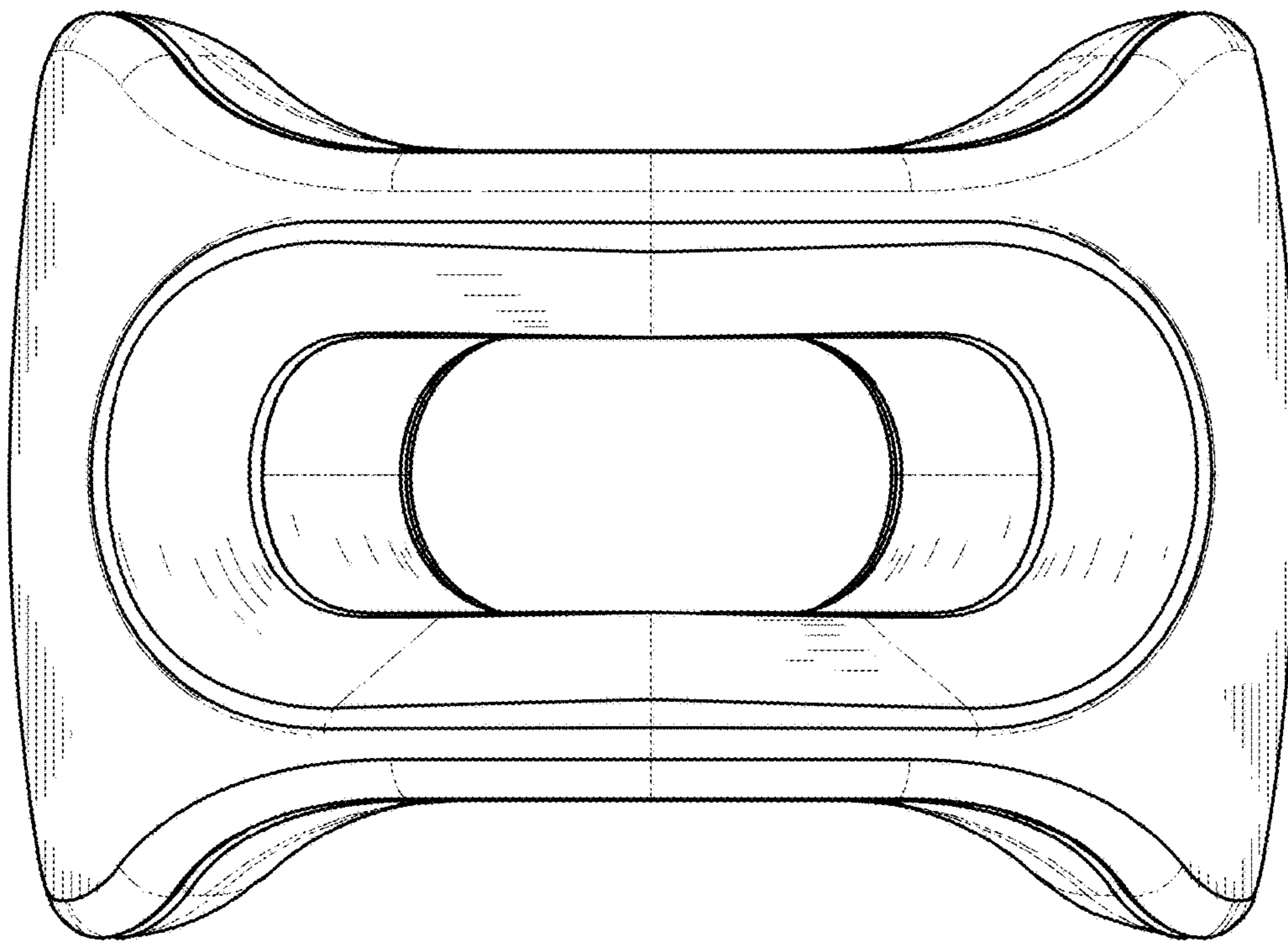


FIG. 4

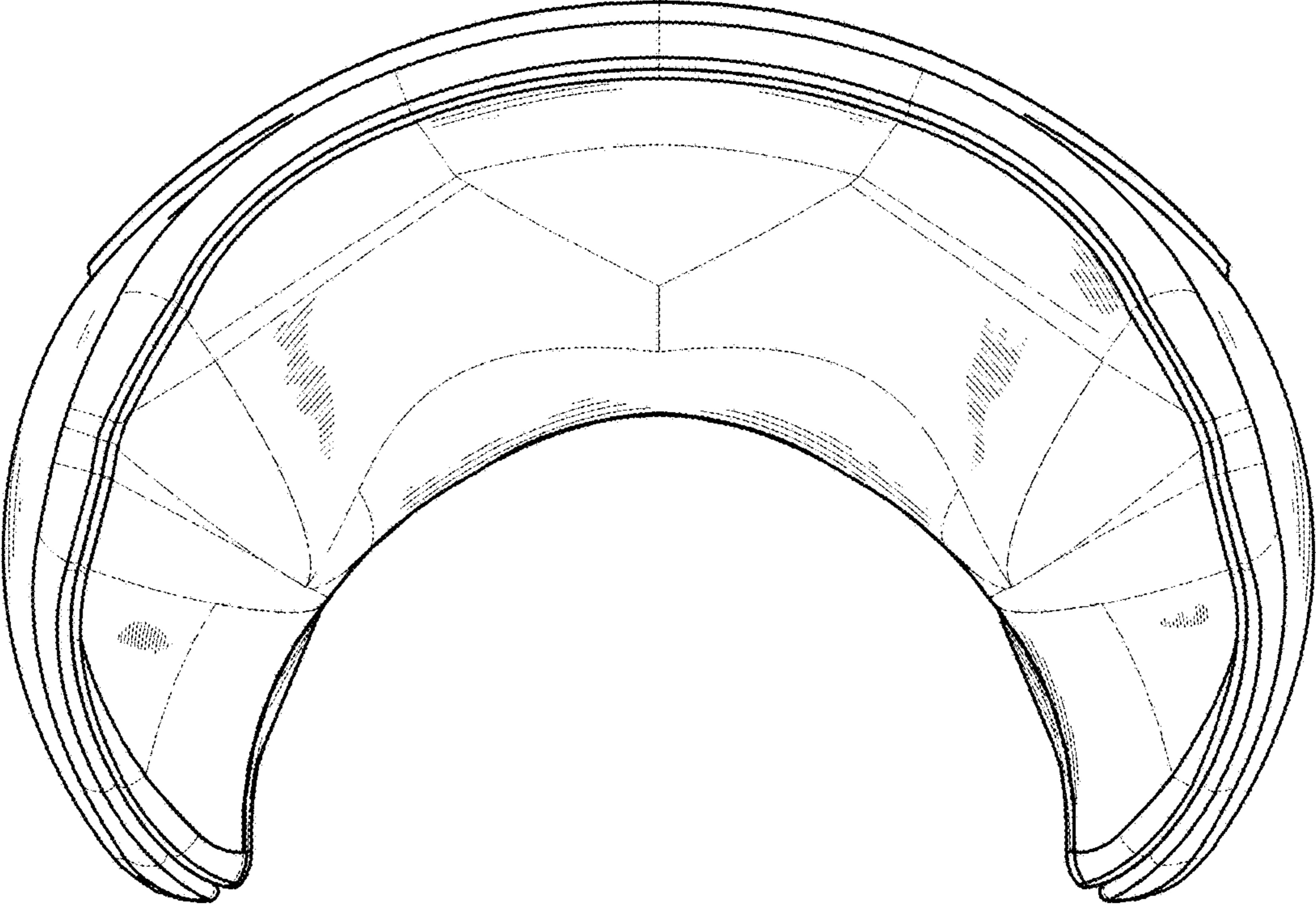


FIG. 5

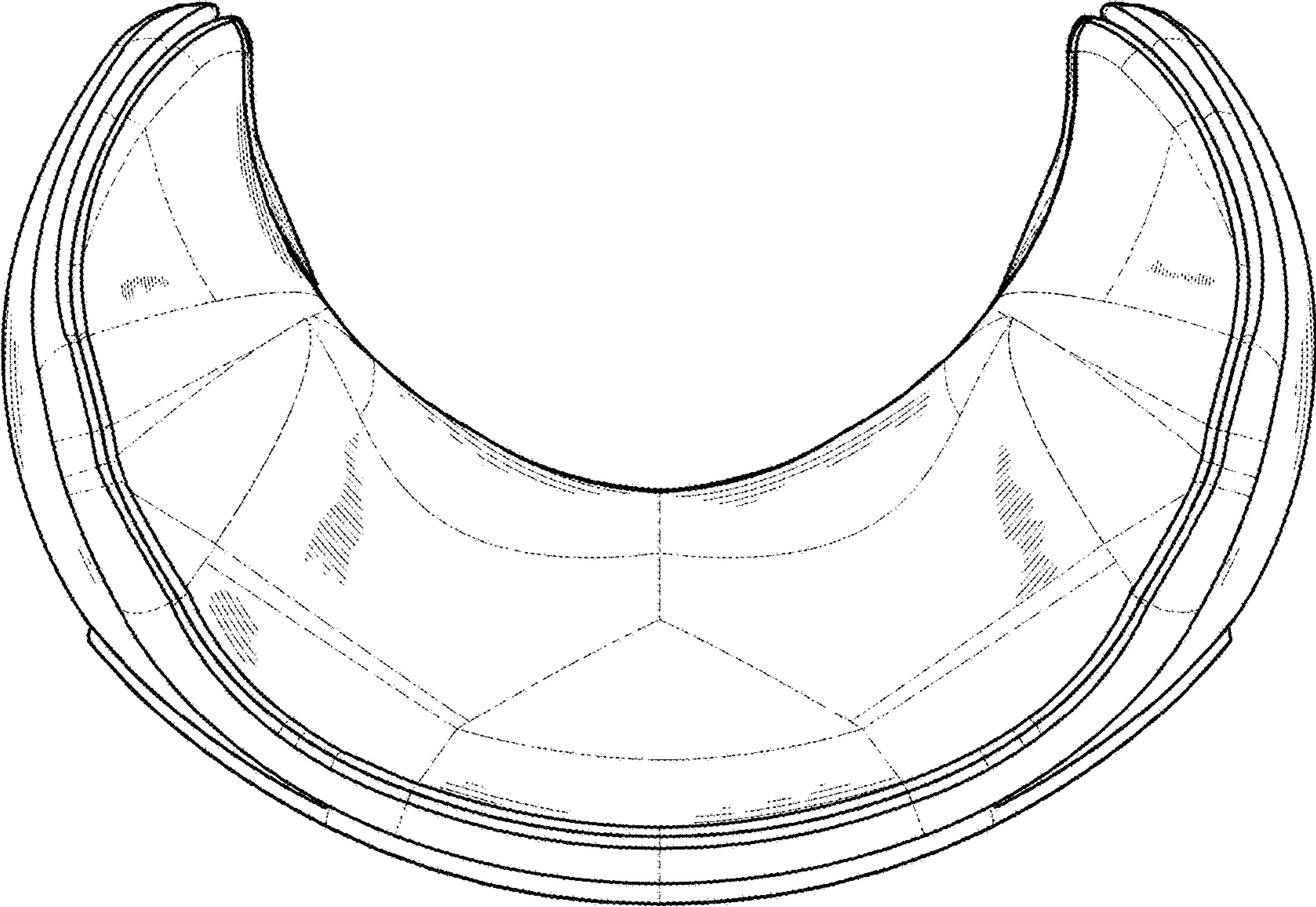


FIG. 6

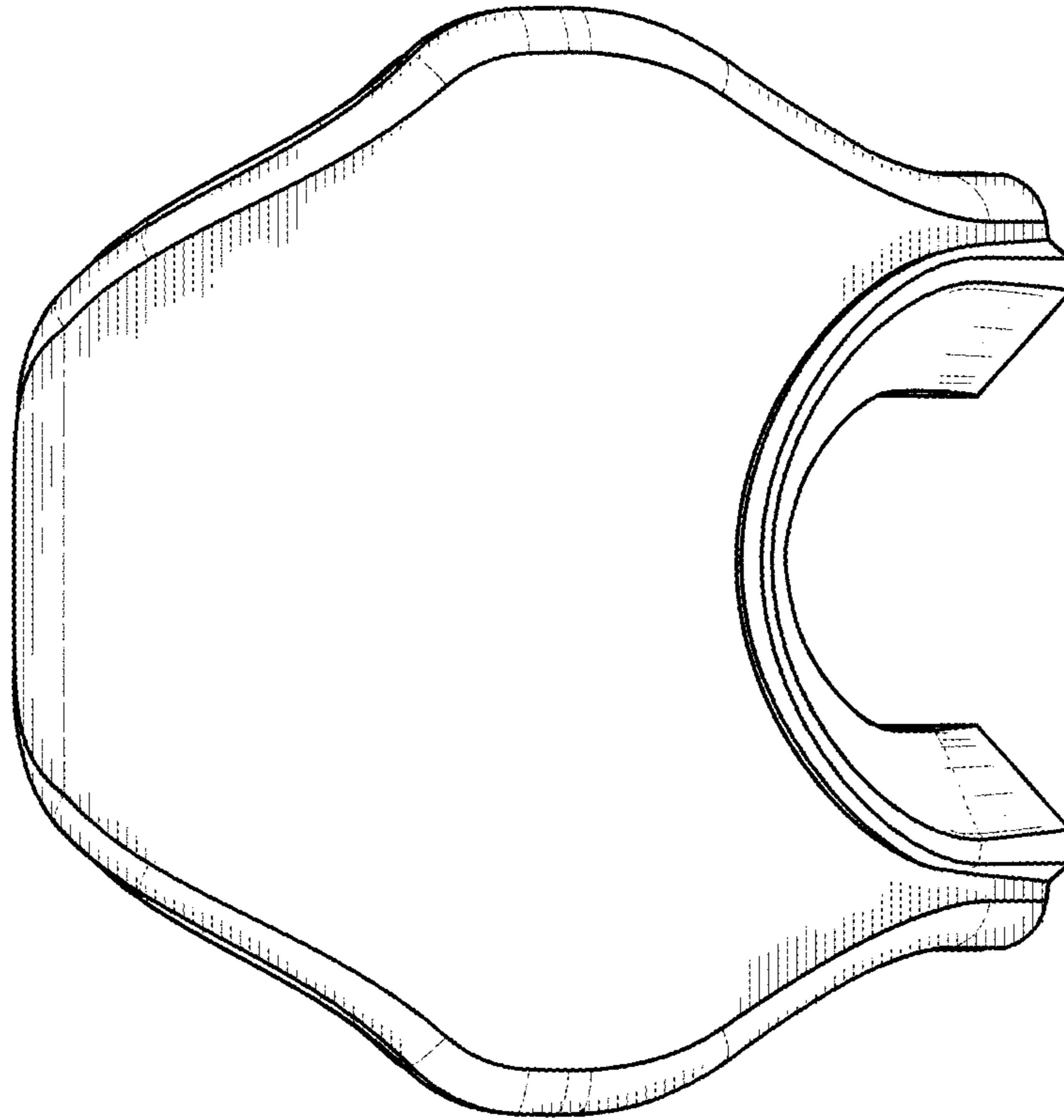


FIG. 7