



US00D778085S

(12) **United States Design Patent** (10) **Patent No.:** **US D778,085 S**
Goodman et al. (45) **Date of Patent:** **** Feb. 7, 2017**

- (54) **DOUBLE TOWEL BAR**
- (71) Applicant: **Spectrum Diversified Designs, Inc.**,
Streetsboro, OH (US)
- (72) Inventors: **Sheldon H. Goodman**, Solon, OH
(US); **Phaysouk Xayoiphonh**, Akron,
OH (US)
- (73) Assignee: **Spectrum Diversified Designs, LLC**,
Streetsboro, OH (US)
- (**) Term: **15 Years**
- (21) Appl. No.: **29/543,775**
- (22) Filed: **Oct. 28, 2015**
- (51) **LOC (10) Cl.** **06-04**
- (52) **U.S. Cl.**
USPC **D6/548**
- (58) **Field of Classification Search**
USPC D6/546–550, 512–525; D8/300,
D8/315–321, 354, 363, 373, 380;
211/13.1, 16, 85.5, 86.01, 87.01, 88.04,
211/100, 105.1, 105.2, 106, 113, 123,
211/181.1, 182–183; 242/570, 590,
242/595–598; 248/49, 175, 176.1,
248/200, 201, 205.1, 251, 302, 309.1,
248/315
CPC A47K 10/383; A47K 10/38; A47K 17/00;
B23P 17/04
See application file for complete search history.

D575,089 S *	8/2008	Krumpe	D6/548
D575,973 S *	9/2008	Goodman	D6/566
D668,900 S *	10/2012	Romero	D6/548
D701,059 S *	3/2014	Goodman	D6/548
D763,596 S *	8/2016	Goodman	D6/522
D764,209 S *	8/2016	Goodman	D6/549

* cited by examiner

Primary Examiner — Wan Laymon

Assistant Examiner — Mark Booker

(74) *Attorney, Agent, or Firm* — Benesch, Friedlander,
Coplan & Aronoff LLP

(57) **CLAIM**

The ornamental design for a double towel bar, as shown and described.

DESCRIPTION

FIG. 1 is a perspective view of a double towel bar showing a new design;

FIG. 2 is a front view of the double towel bar of FIG. 1;

FIG. 3 is a side view of the double towel bar of FIG. 1;

FIG. 4 is a rear view of the double towel bar of FIG. 1;

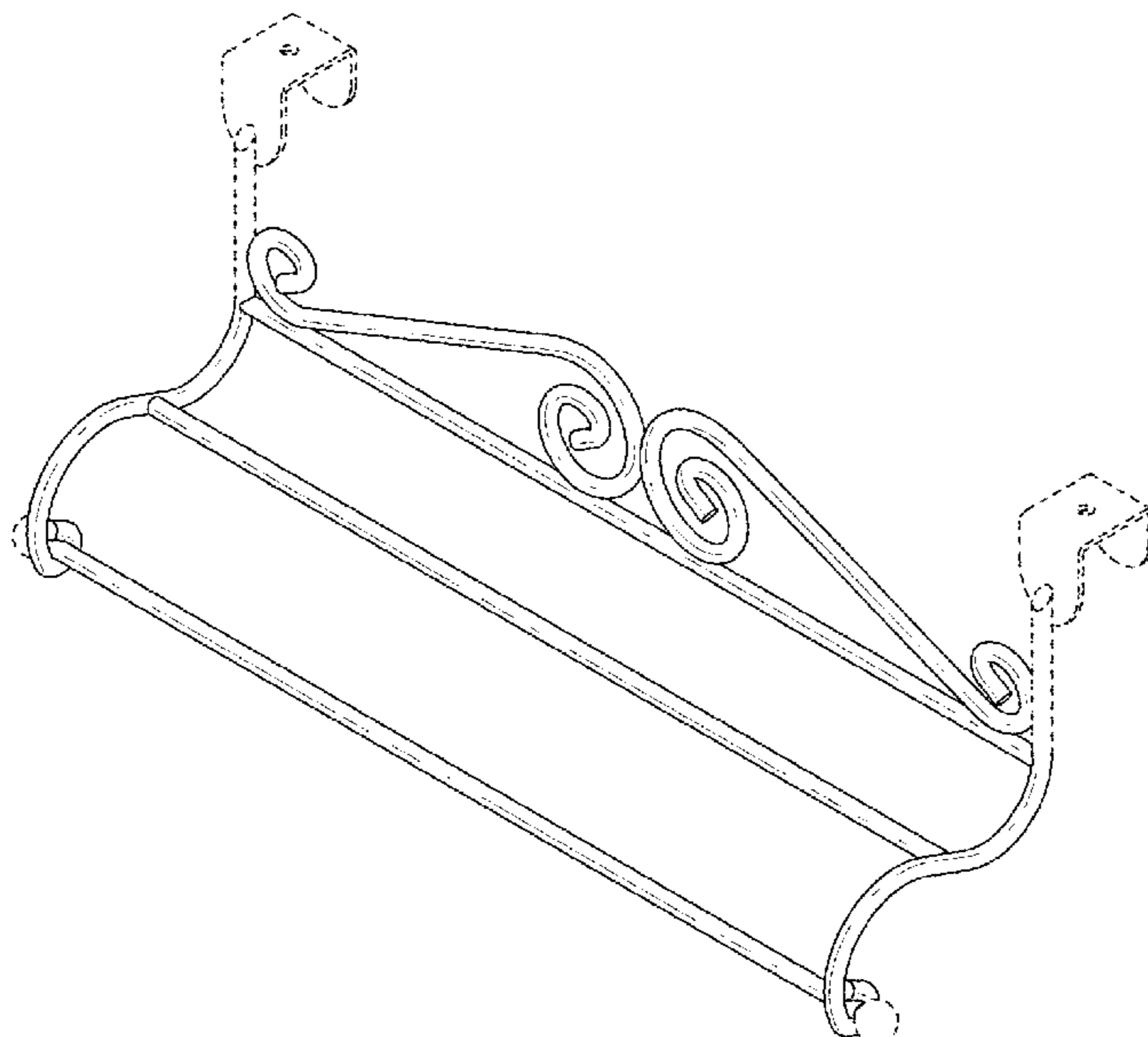
FIG. 5 is a top view of the double towel bar of FIG. 1; and,

FIG. 6 is a bottom view of the double towel bar of FIG. 1.

The components of the display shown in broken lines illustrate portions of the double towel bar which form no part of the claimed design.

1 Claim, 3 Drawing Sheets

- (56) **References Cited**
- U.S. PATENT DOCUMENTS
- | | | | | |
|--------------|--------|---------|-------|--------|
| D327,593 S * | 7/1992 | Emery | | D6/522 |
| D392,138 S * | 3/1998 | Wu | | D6/546 |
| D453,649 S * | 2/2002 | Hoernig | | D6/548 |
| D569,153 S * | 5/2008 | Bickler | | D6/548 |



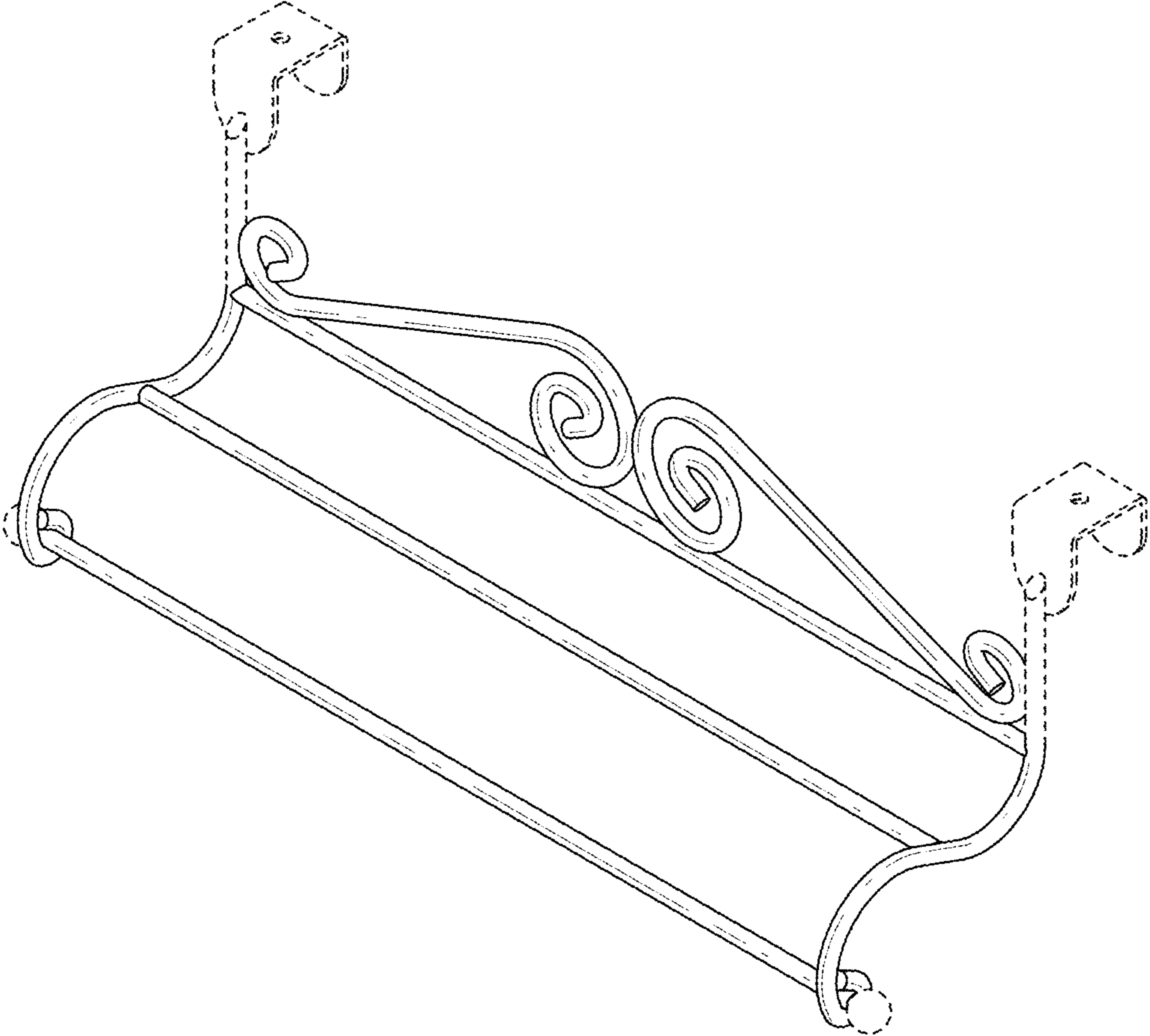


FIG 1

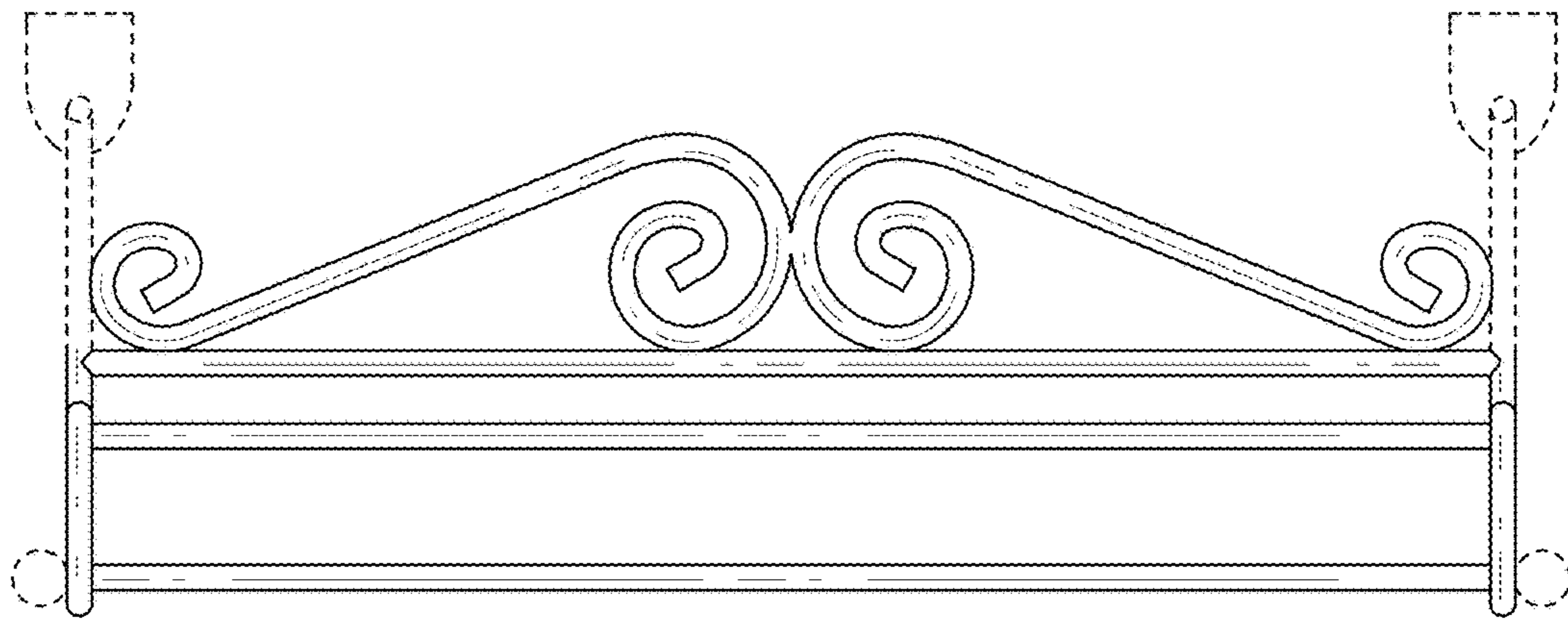


FIG 2

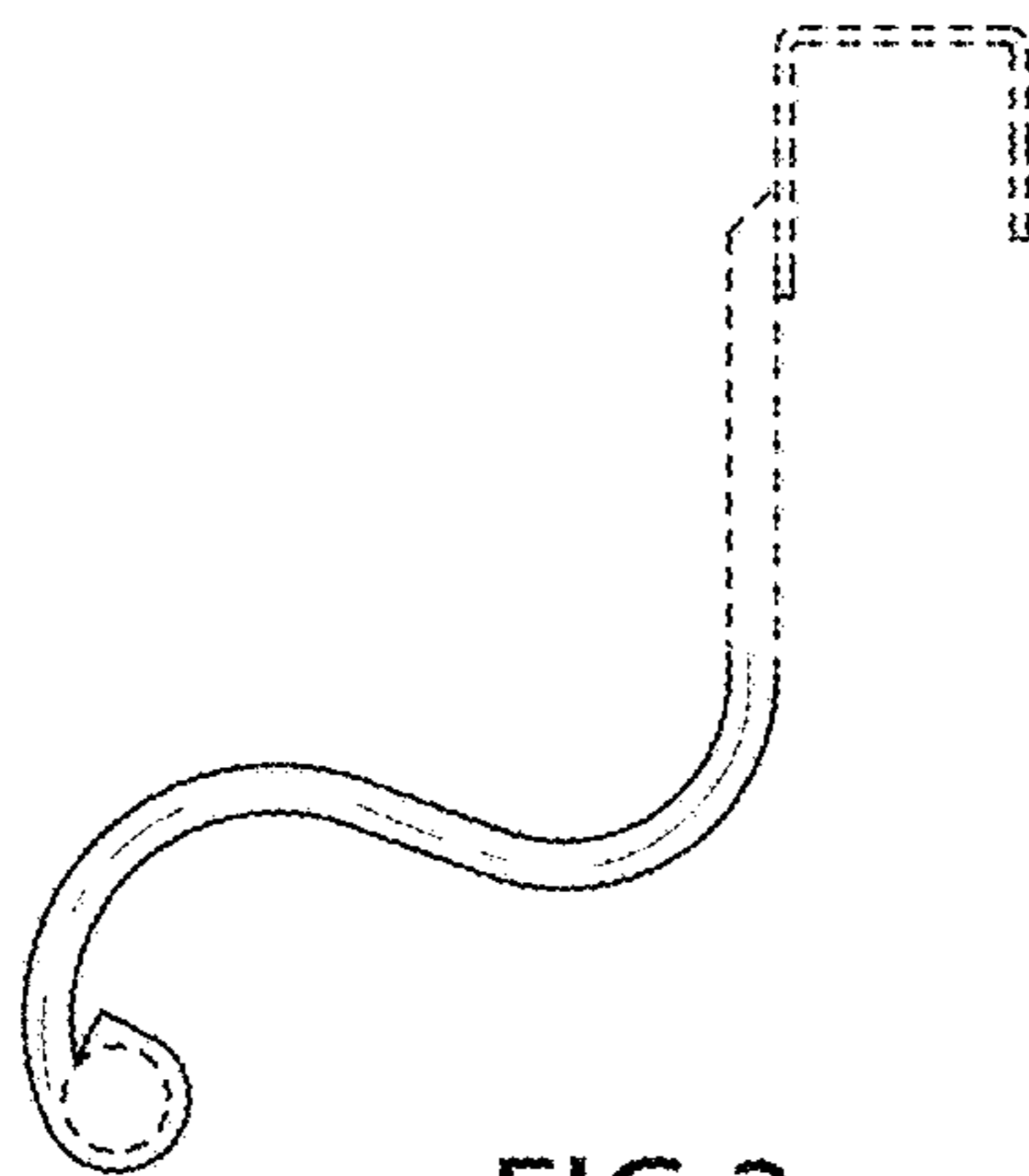


FIG 3

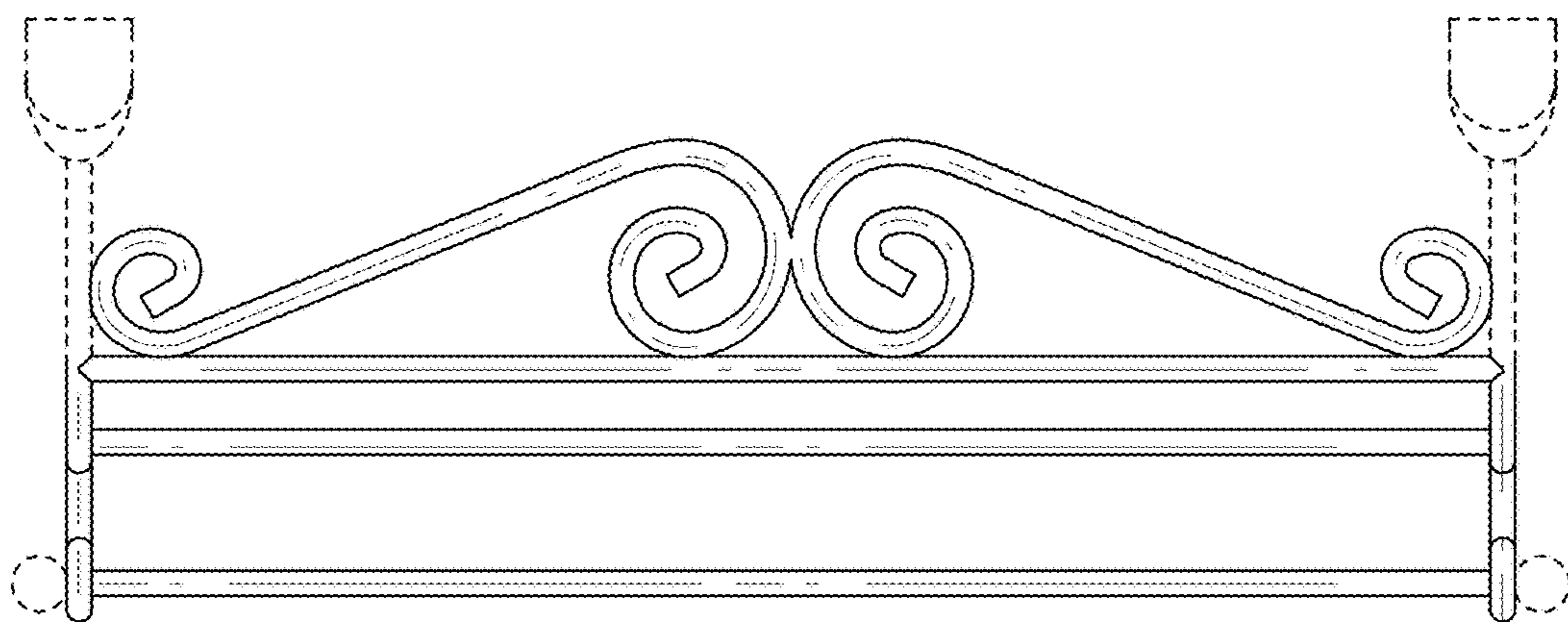


FIG 4

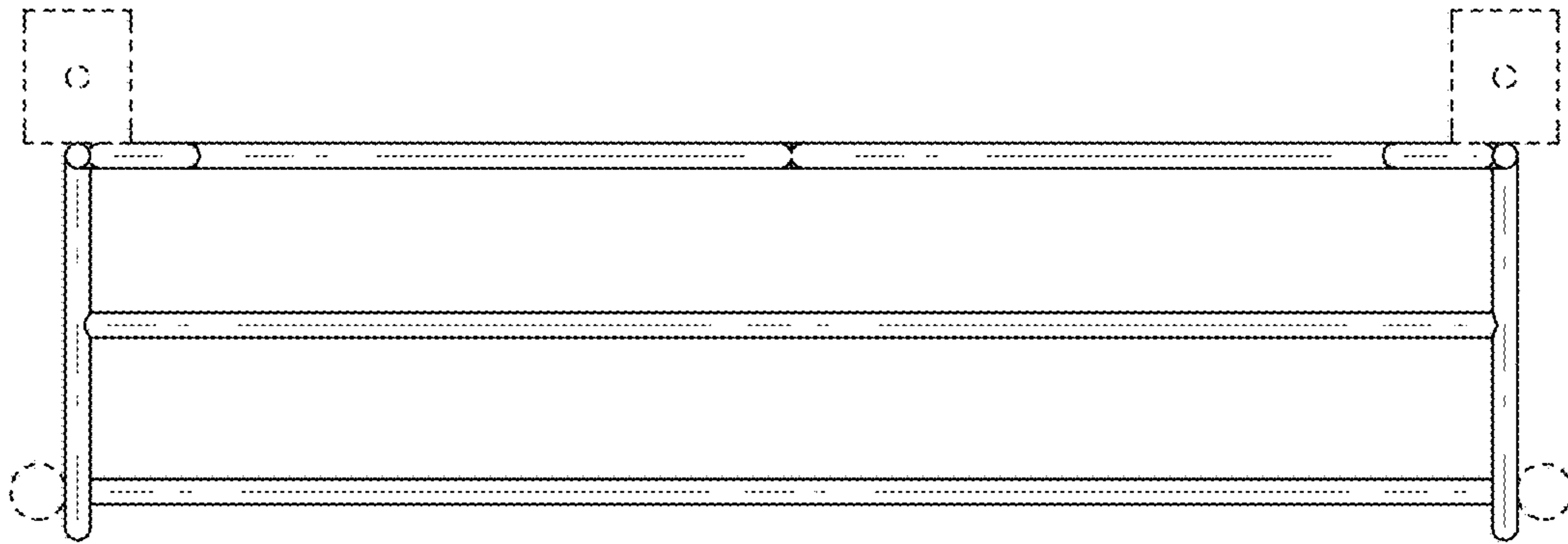


FIG 5

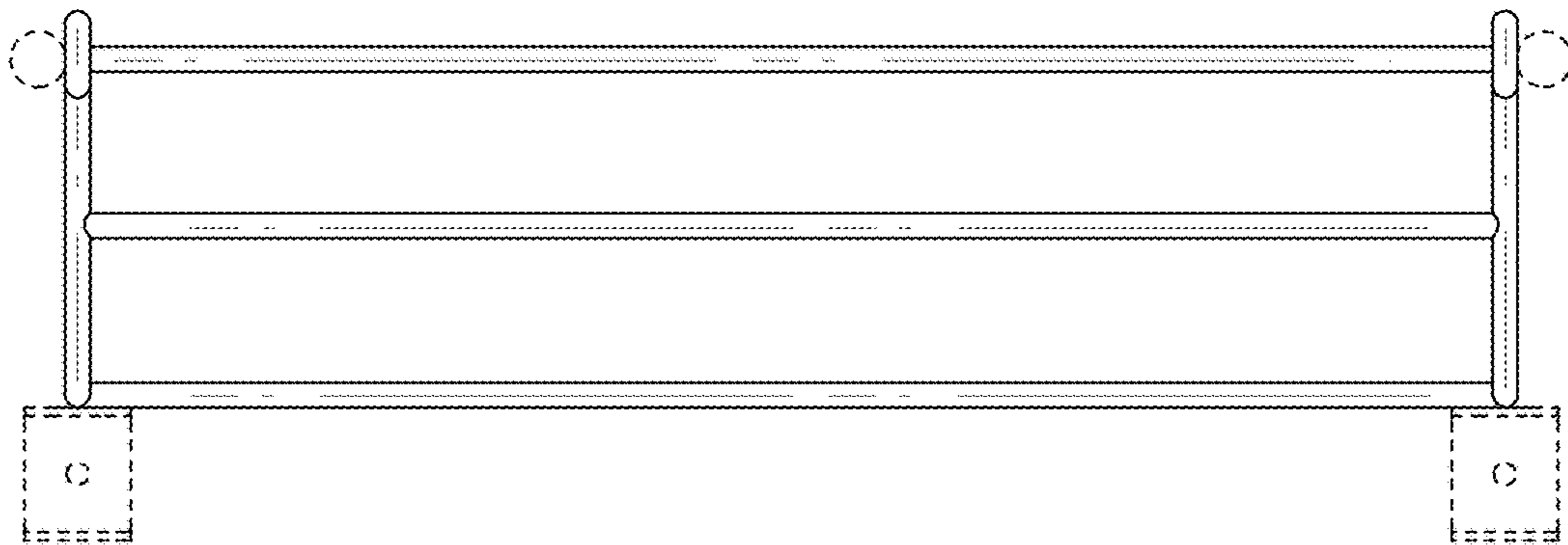


FIG 6