



US00D778084S

(12) **United States Design Patent** (10) **Patent No.:** **US D778,084 S**
Beck et al. (45) **Date of Patent:** **** Feb. 7, 2017**

- (54) **DISPENSER**
- (71) Applicant: **Sage Products, LLC**, Cary, IL (US)
- (72) Inventors: **David Beck**, Crystal Lake, IL (US);
Ron Cagle, Crystal Lake, IL (US)
- (73) Assignee: **SAGE PRODUCTS, LLC**, Cary, IL (US)
- (**) Term: **15 Years**
- (21) Appl. No.: **29/527,784**
- (22) Filed: **May 21, 2015**
- (51) **LOC (10) Cl.** **23-02**
- (52) **U.S. Cl.**
USPC **D6/542**
- (58) **Field of Classification Search**
USPC D6/512, 542, 545; D3/201, 203.1, 205;
D9/719, 739, 517, 696, 729, 731, 733,
D9/521, 398
CPC A47K 10/424; A47K 5/00; A47K 5/06;
A47K 5/12; A47K 5/14; A47K
5/02; B65D 1/00; B65D 1/02; B65D
1/0223; B65D 23/00; B65D 23/003; B67D
7/303; B67D 3/0029; B03D 1/14
See application file for complete search history.

(56) **References Cited**

U.S. PATENT DOCUMENTS

D201,261 S	6/1965	Roberts	
D291,964 S *	9/1987	Albright	D9/440
D323,455 S	1/1992	Eichler	
D358,654 S *	5/1995	Smith	D24/200
D395,819 S *	7/1998	Fenton	D24/121
D396,003 S *	7/1998	Fenton	D24/121
D396,009 S *	7/1998	Reubens	D9/530
D451,736 S *	12/2001	Mast	D6/545
6,347,724 B1	2/2002	Chen et al.	
6,431,400 B1	8/2002	O'Maley et al.	
D471,047 S *	3/2003	Gordon	D6/545

D481,463 S *	10/2003	Cook	D24/200
6,766,199 B2 *	7/2004	Cook	A61H 7/003 607/150
6,883,563 B2 *	4/2005	Smith	A47K 5/1202 141/102
D511,301 S *	11/2005	Jones	D9/698
D512,648 S	12/2005	Smith et al.	
D564,087 S *	3/2008	Yodfat	D24/108
D571,926 S *	6/2008	Wu	D24/215
7,597,122 B1 *	10/2009	Smith	A47K 5/1202 141/114

(Continued)

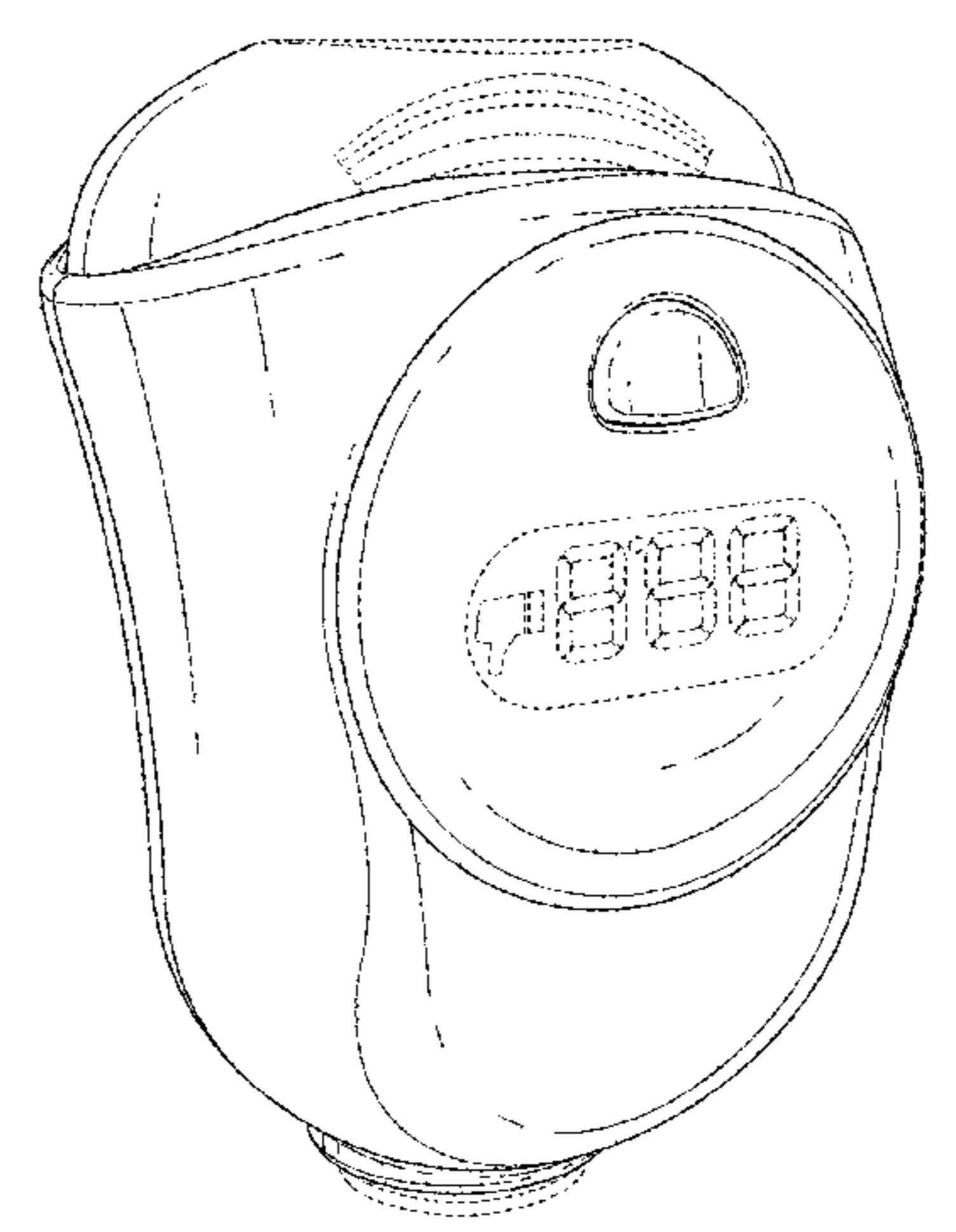
Primary Examiner — John Windmuller
Assistant Examiner — Steven Czyz
(74) *Attorney, Agent, or Firm* — Foley & Lardner LLP

(57) **CLAIM**
We claim the ornamental design for a dispenser, as shown and described.

DESCRIPTION

FIG. 1 is a perspective view of a dispenser of the present invention;
FIG. 2 is a front view thereof;
FIG. 3 is a rear view thereof;
FIG. 4 is a right side view thereof;
FIG. 5 is a left side view thereof;
FIG. 6 is a top view thereof;
FIG. 7 is a bottom view thereof;
FIG. 8 is a perspective view of another dispenser of the present invention;
FIG. 9 is a front view thereof;
FIG. 10 is a rear view thereof;
FIG. 11 is a right side view thereof;
FIG. 12 is a left side view thereof;
FIG. 13 is a top view thereof; and,
FIG. 14 is a bottom view thereof.
The broken lines depict portions of the article that form no part of the claimed design.

1 Claim, 6 Drawing Sheets



(56)

References Cited

U.S. PATENT DOCUMENTS

8,020,733 B2 9/2011 Snodgrass
 D654,743 S 2/2012 Rospierski
 D661,933 S * 6/2012 DelGigante D6/542
 D672,251 S * 12/2012 Nukuto D9/562
 D674,701 S * 1/2013 Claassen D9/453
 8,342,365 B2 * 1/2013 Snodgrass B65D 83/262
 222/1
 D675,853 S * 2/2013 Bunoz D6/545
 D682,590 S * 5/2013 Gilboe D6/545
 D683,227 S 5/2013 Balini
 D683,628 S * 6/2013 Claassen D9/453
 D693,689 S * 11/2013 Kim D9/516
 D697,809 S * 1/2014 de Cleir D9/521
 D713,653 S * 9/2014 Sun Ting Kung D6/545
 D718,045 S * 11/2014 Fasciglione D3/205
 D722,270 S * 2/2015 Davis D9/516
 D722,271 S * 2/2015 Davis D9/521
 D730,048 S * 5/2015 Muller D3/201
 D731,203 S * 6/2015 Watson D6/542

D731,204 S * 6/2015 Watson D6/542
 D732,307 S * 6/2015 Enga D6/542
 D734,055 S * 7/2015 Davis D6/542
 D734,056 S * 7/2015 Davis D6/542
 D734,057 S * 7/2015 Davis D6/542
 D734,058 S * 7/2015 Davis D6/542
 D739,281 S * 9/2015 Payne D10/80
 2009/0184134 A1 7/2009 Ciavarella et al.
 2010/0094581 A1 4/2010 Cagle
 2010/0173581 A1 7/2010 Dolan
 2011/0063106 A1 3/2011 Snodgrass
 2011/0169643 A1 7/2011 Cartner
 2011/0169645 A1 7/2011 Cartner et al.
 2012/0112914 A1 * 5/2012 Wegelin A47K 5/1217
 340/573.1
 2012/0241470 A1 9/2012 Snodgrass et al.
 2012/0275568 A1 11/2012 Mazor et al.
 2014/0081653 A1 * 3/2014 Davis G06F 19/327
 705/2
 2015/0134357 A1 * 5/2015 Davis A61B 90/80
 705/2

* cited by examiner

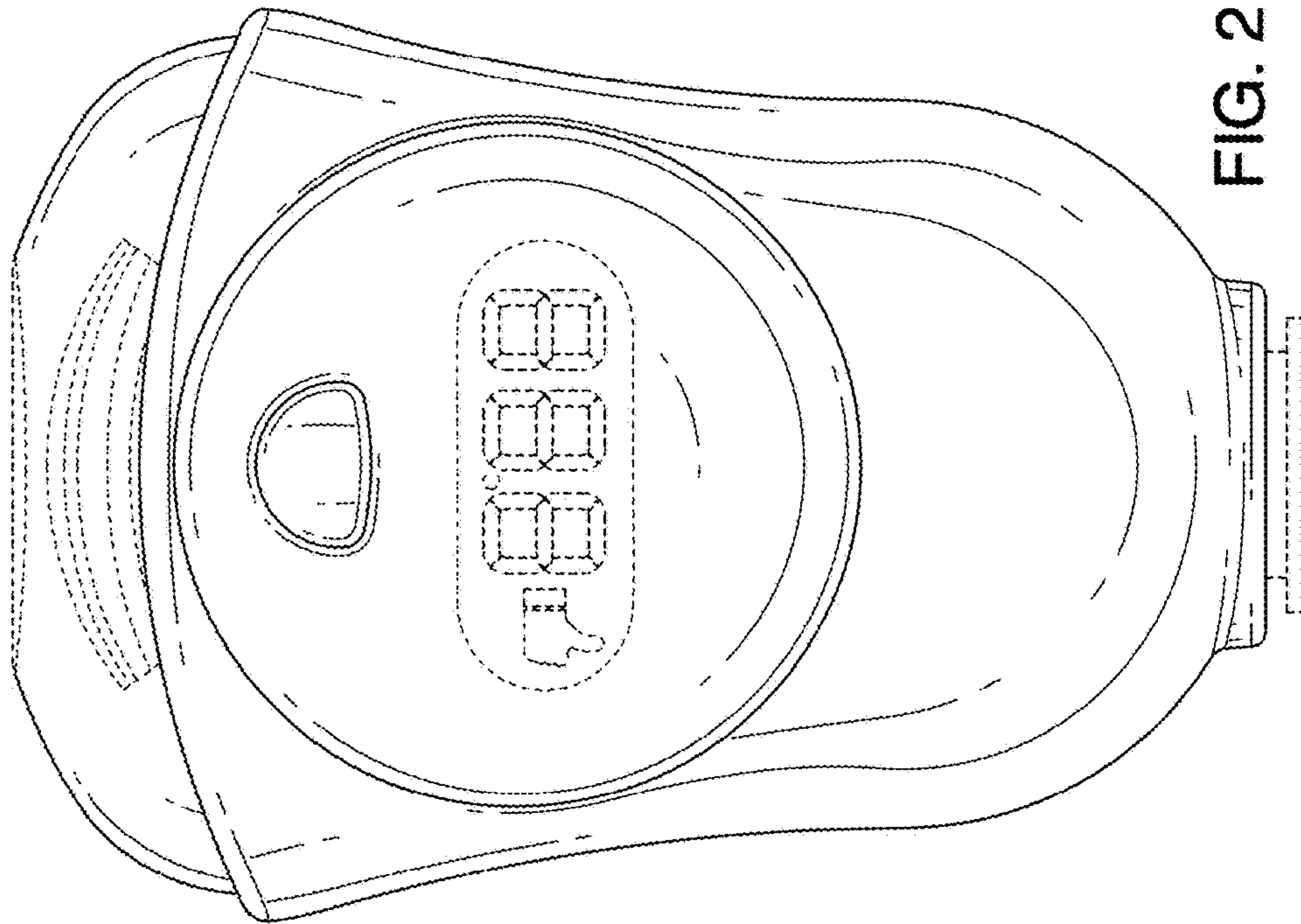


FIG. 2

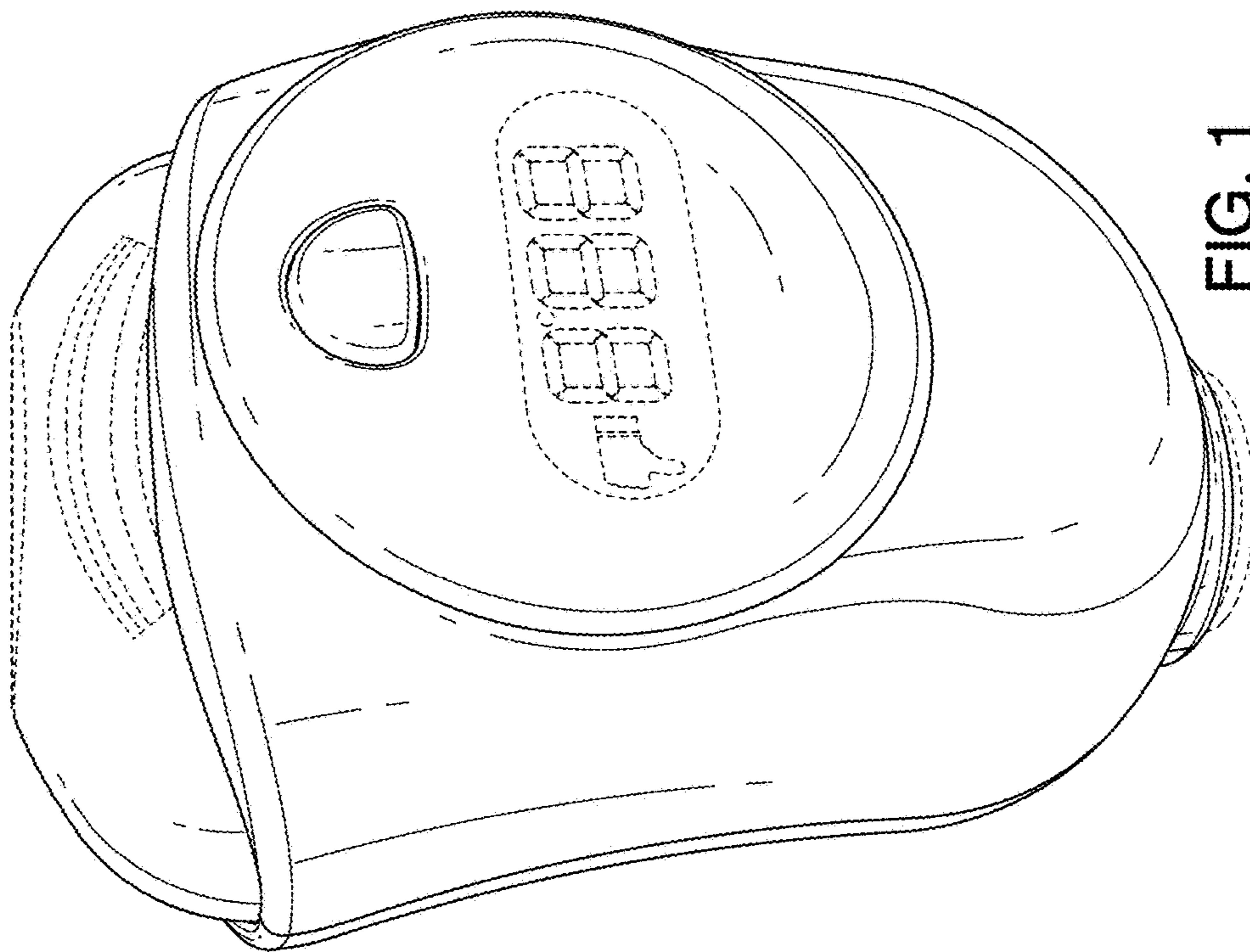


FIG. 1

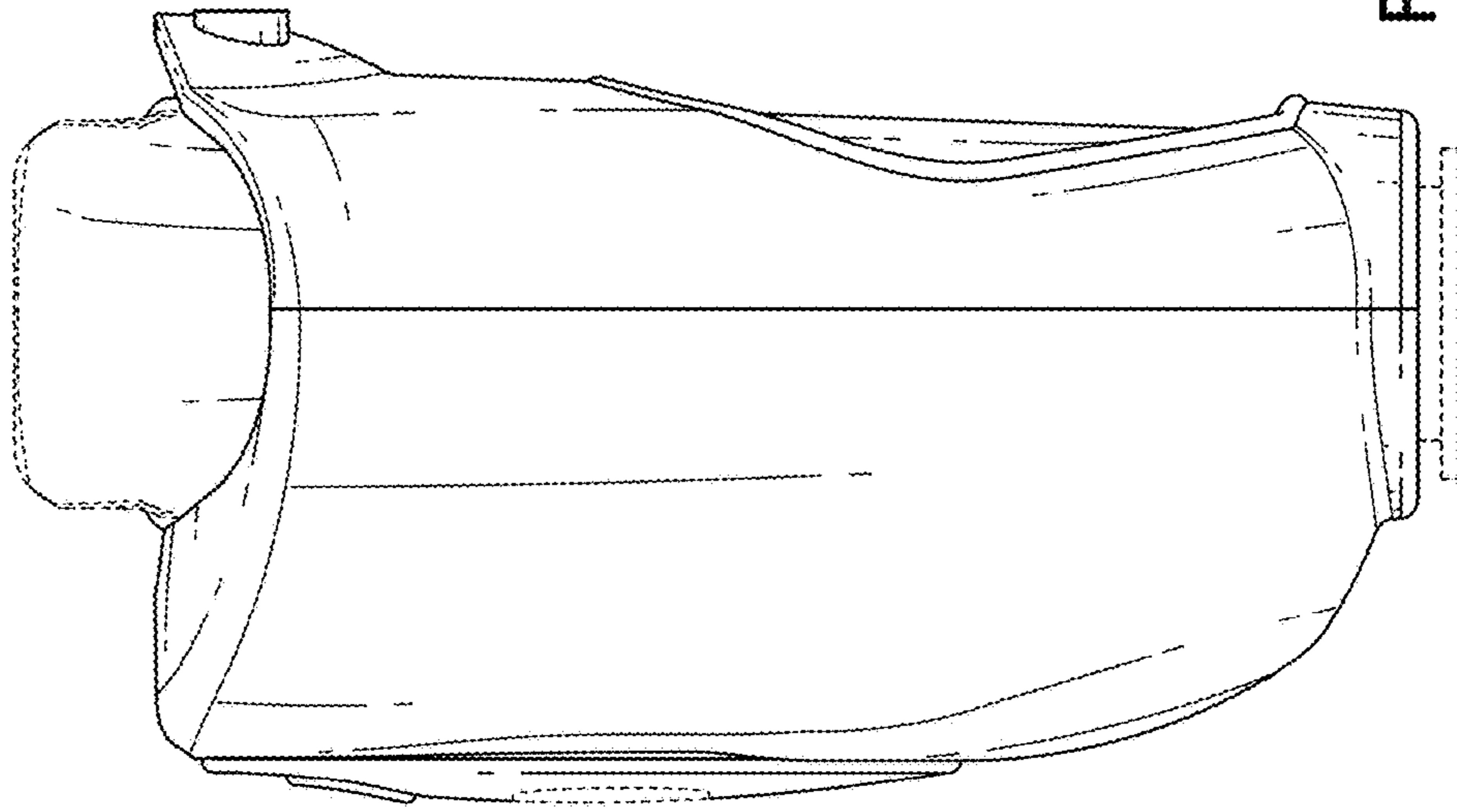


FIG. 4

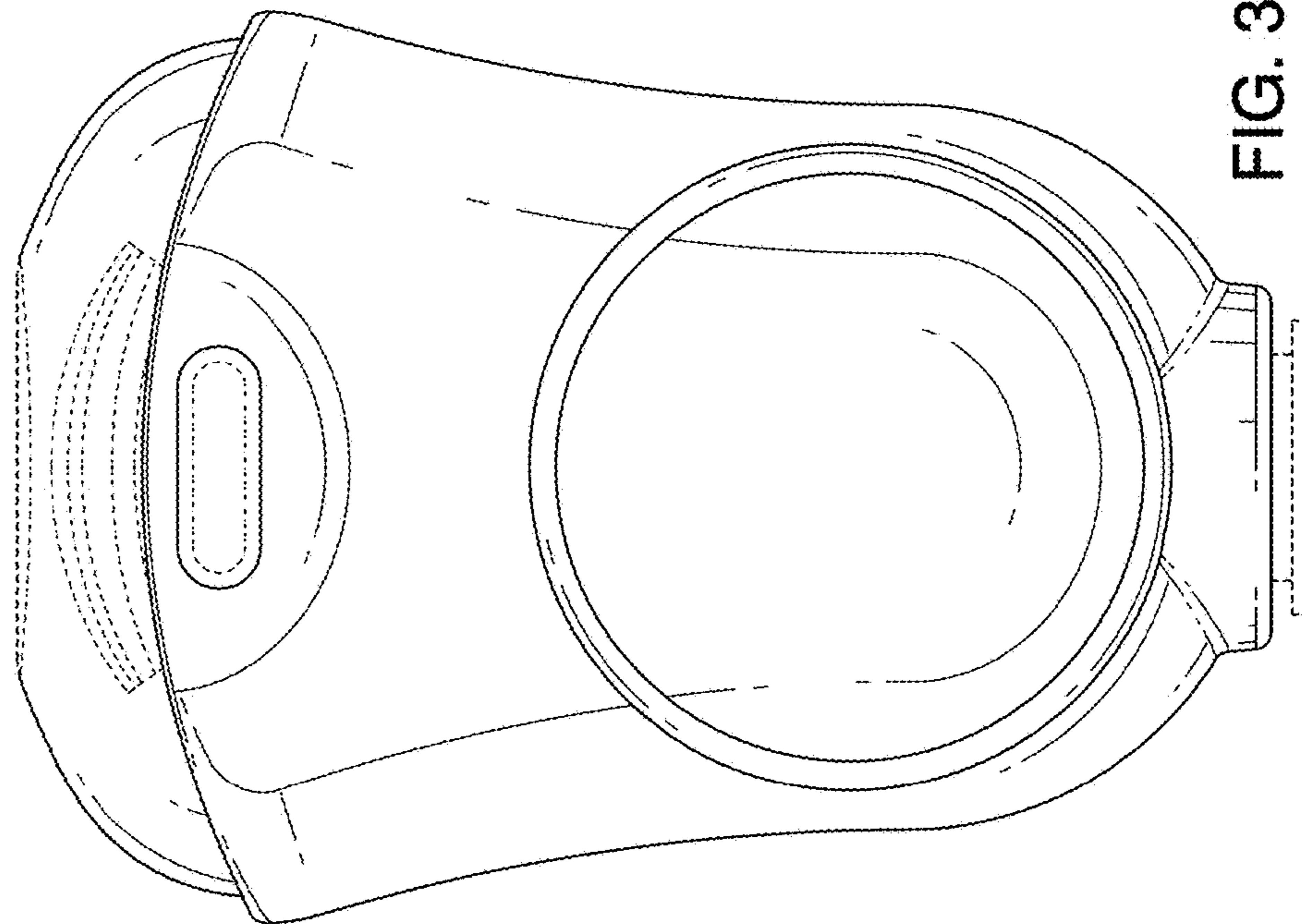


FIG. 3

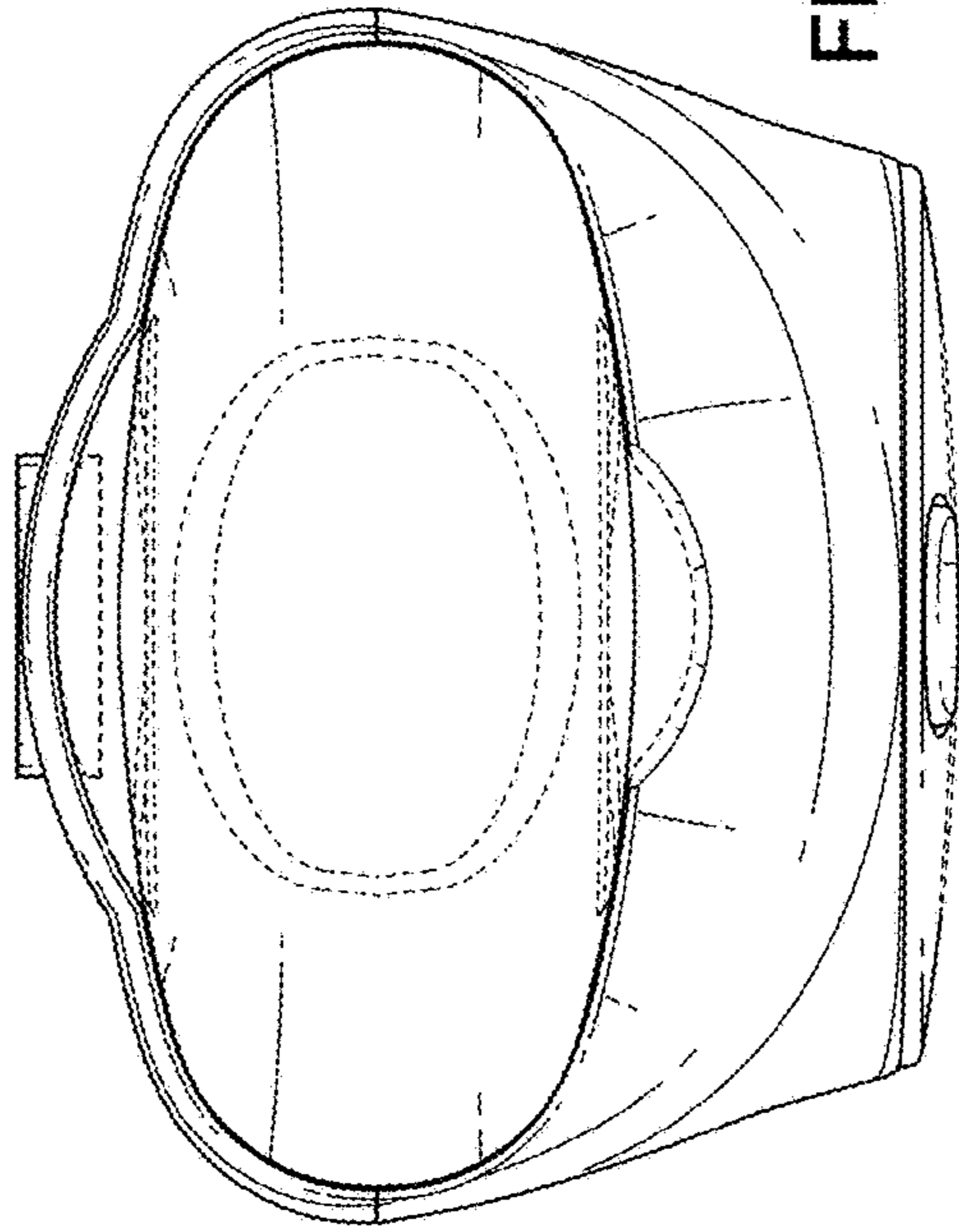


FIG. 6

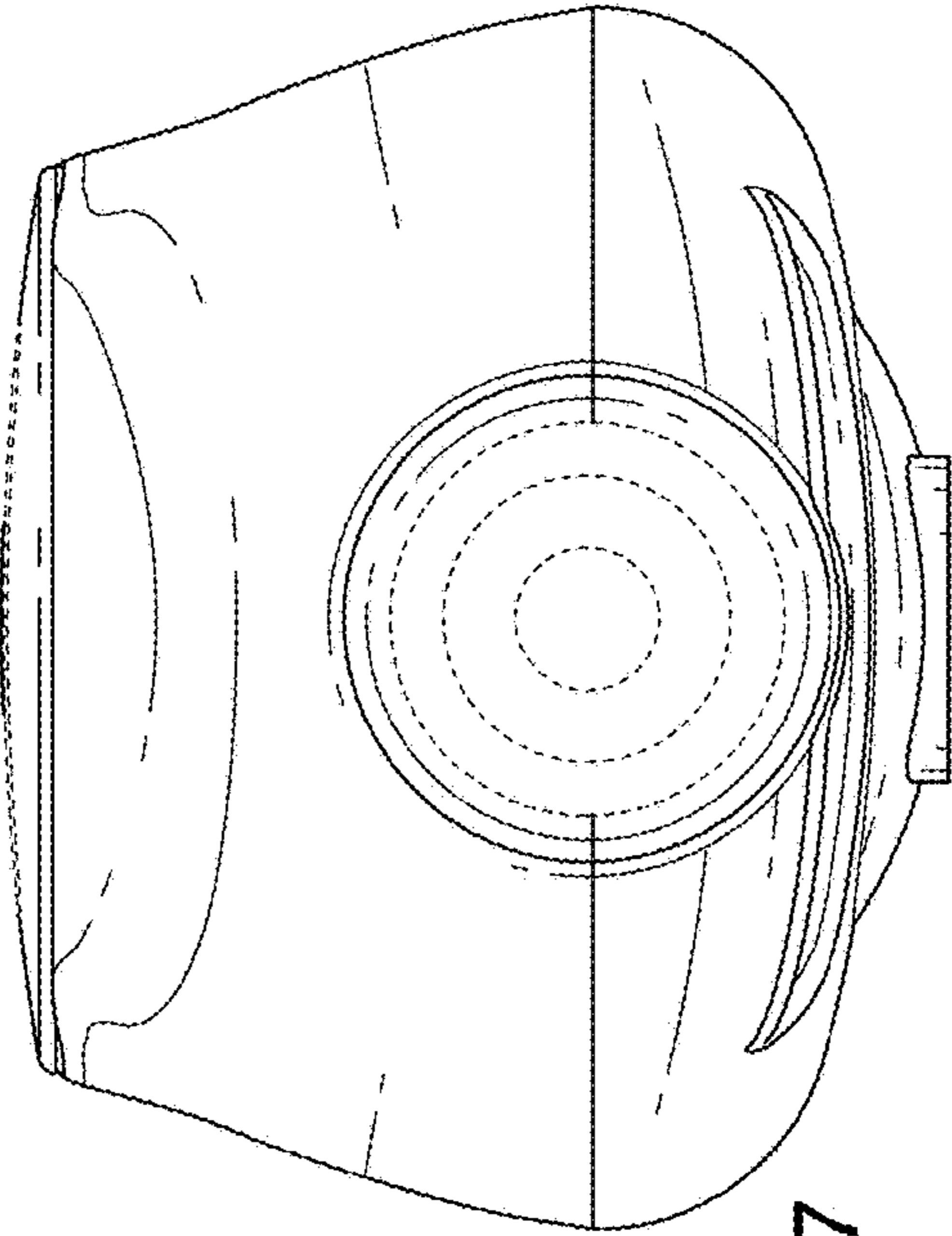


FIG. 7

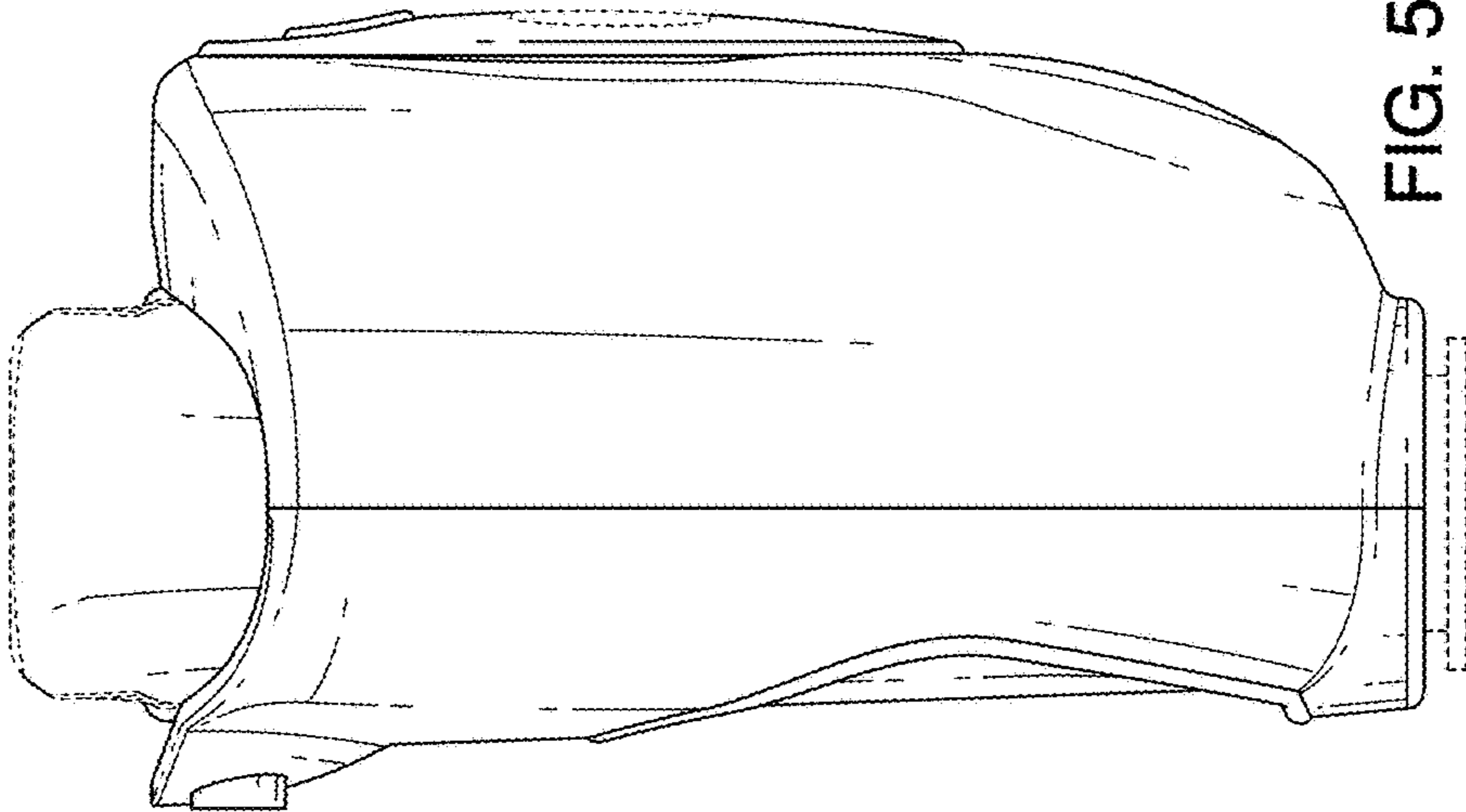


FIG. 5

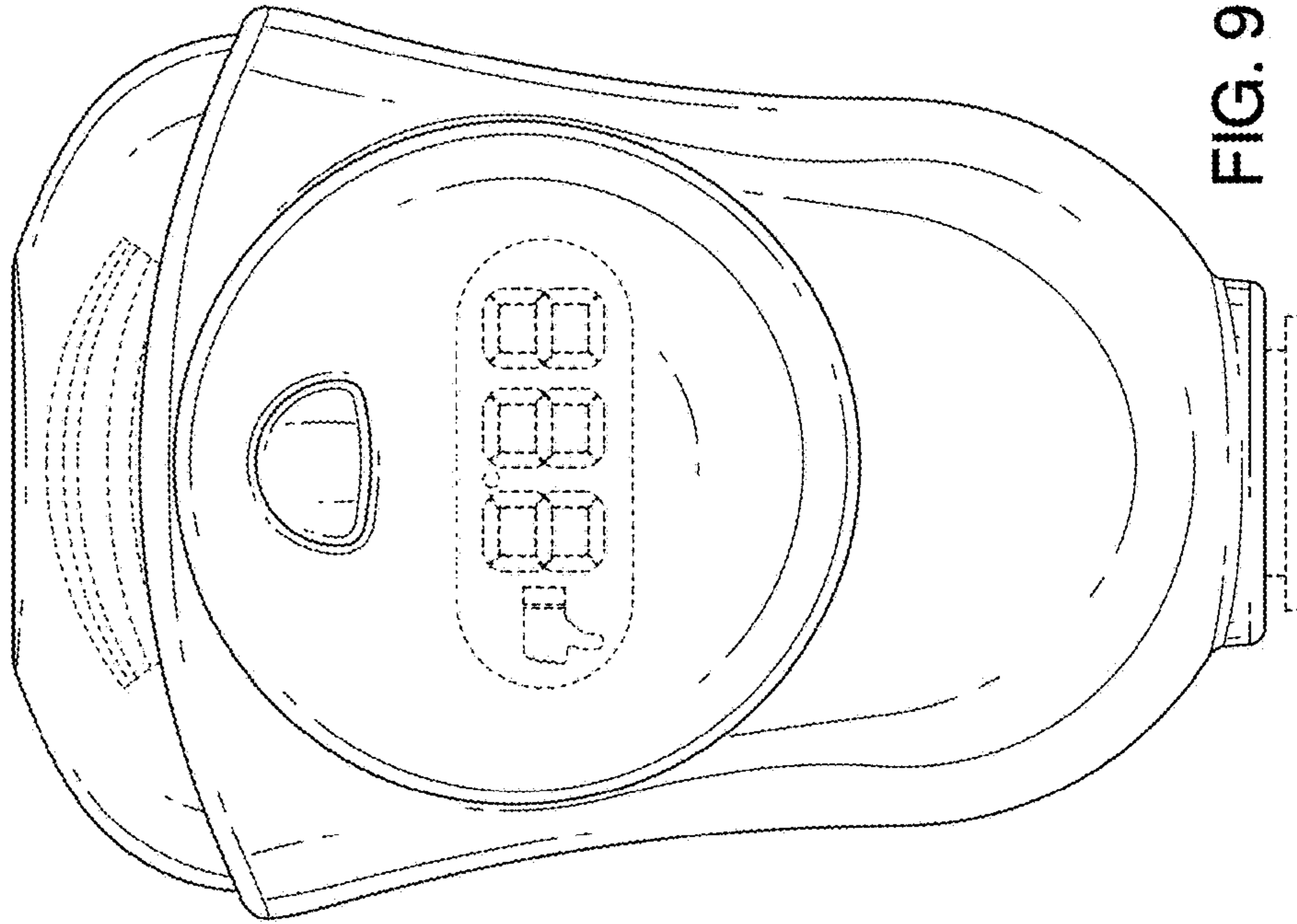


FIG. 9

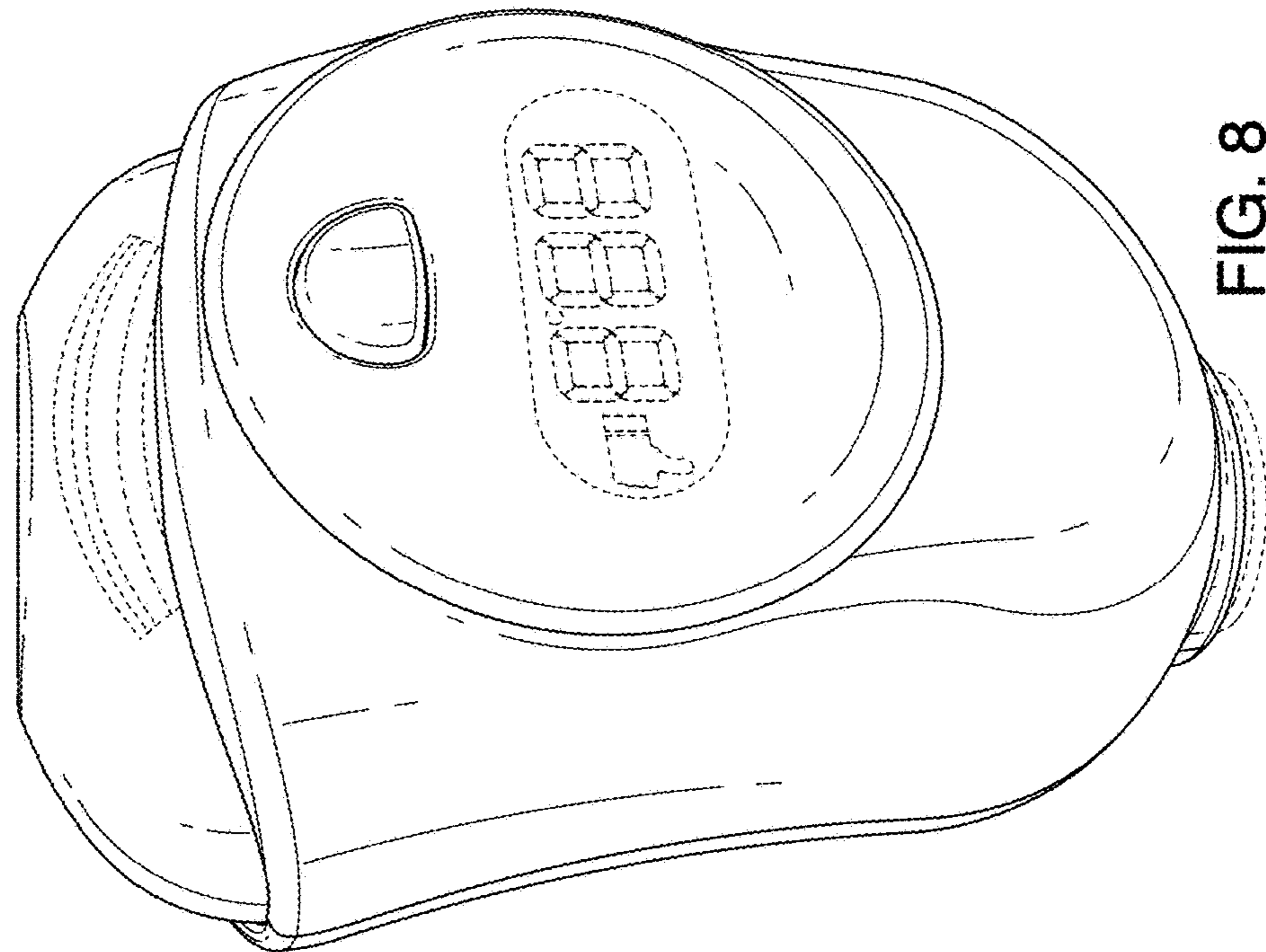


FIG. 8

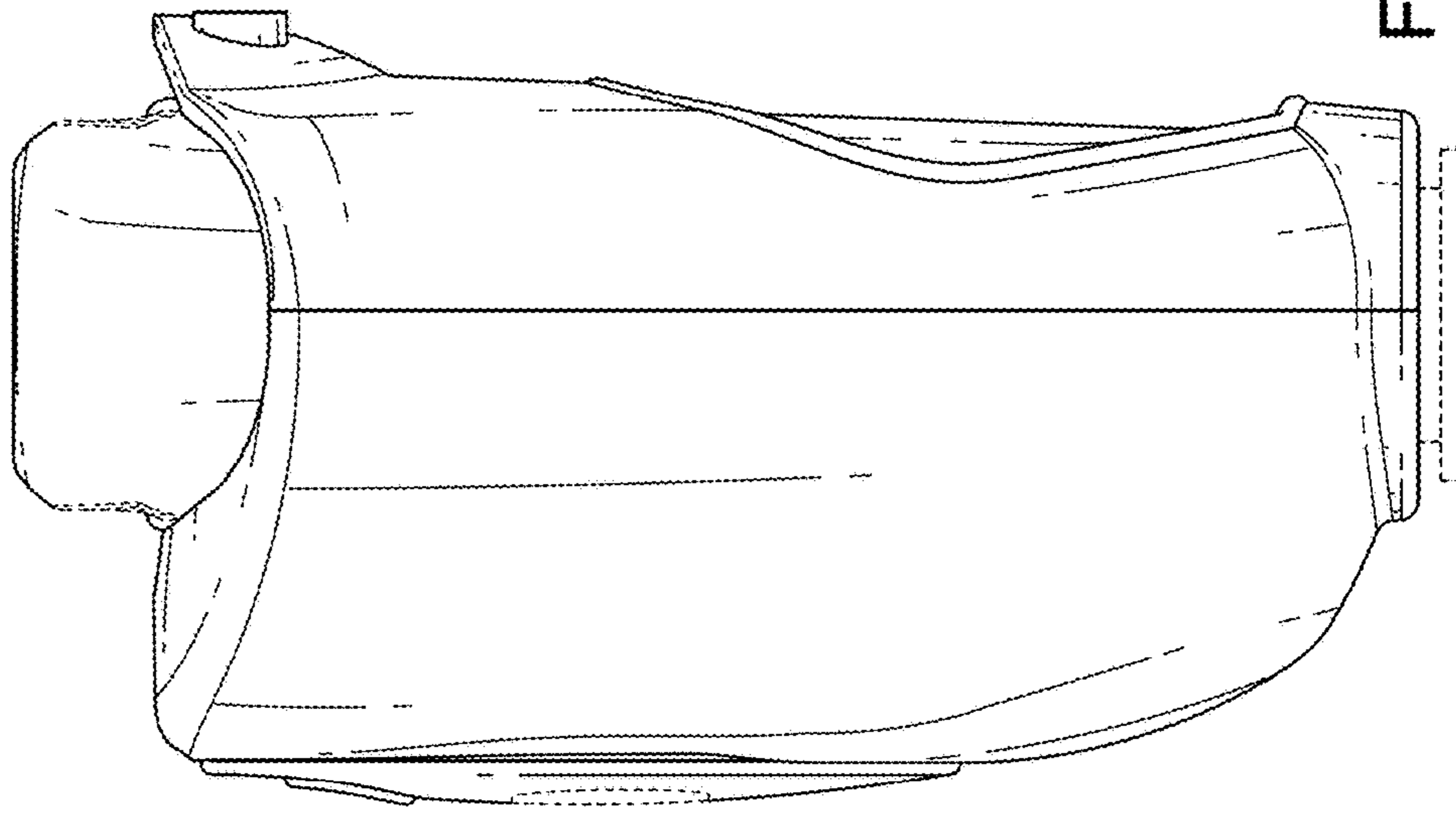


FIG. 11

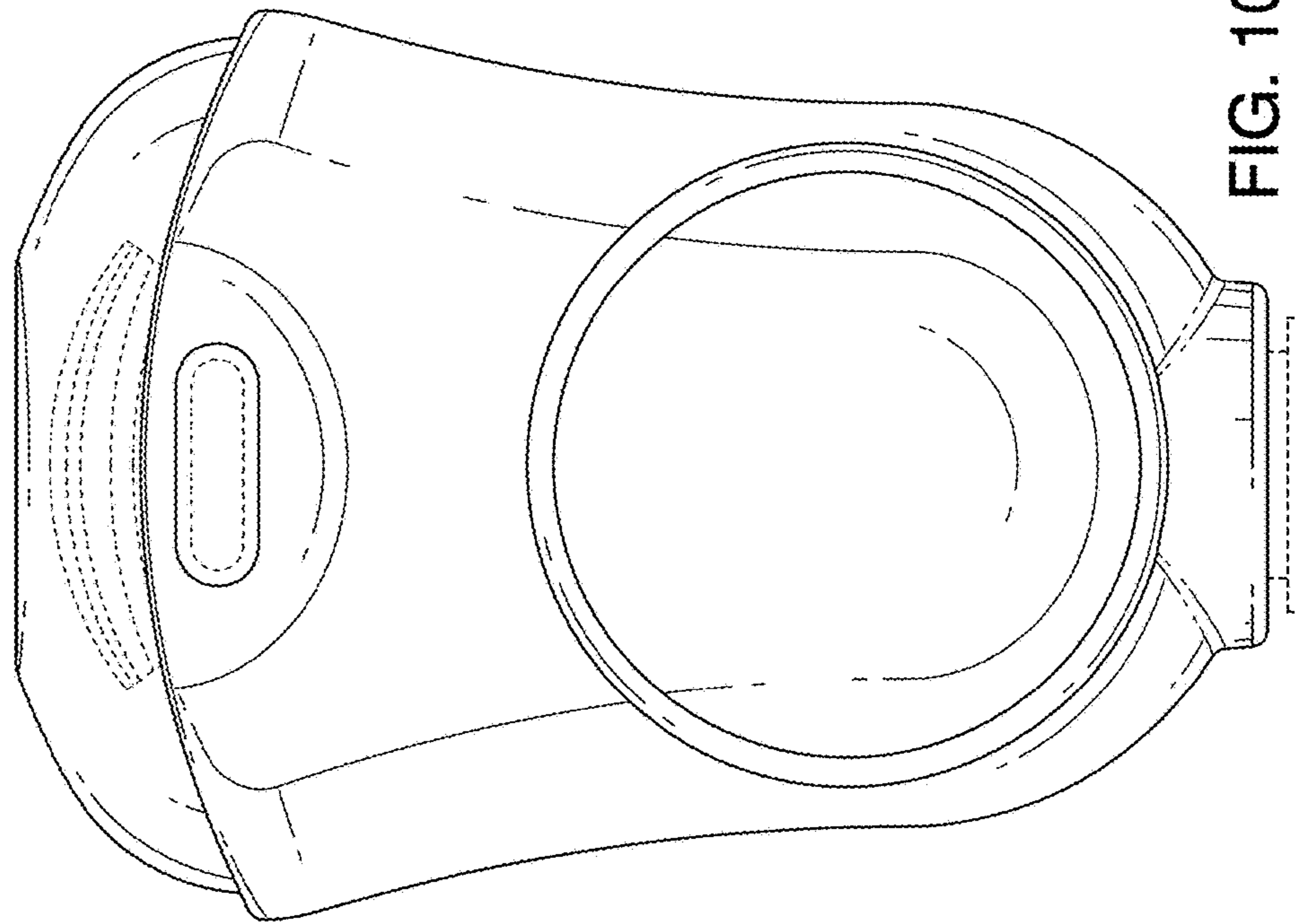


FIG. 10

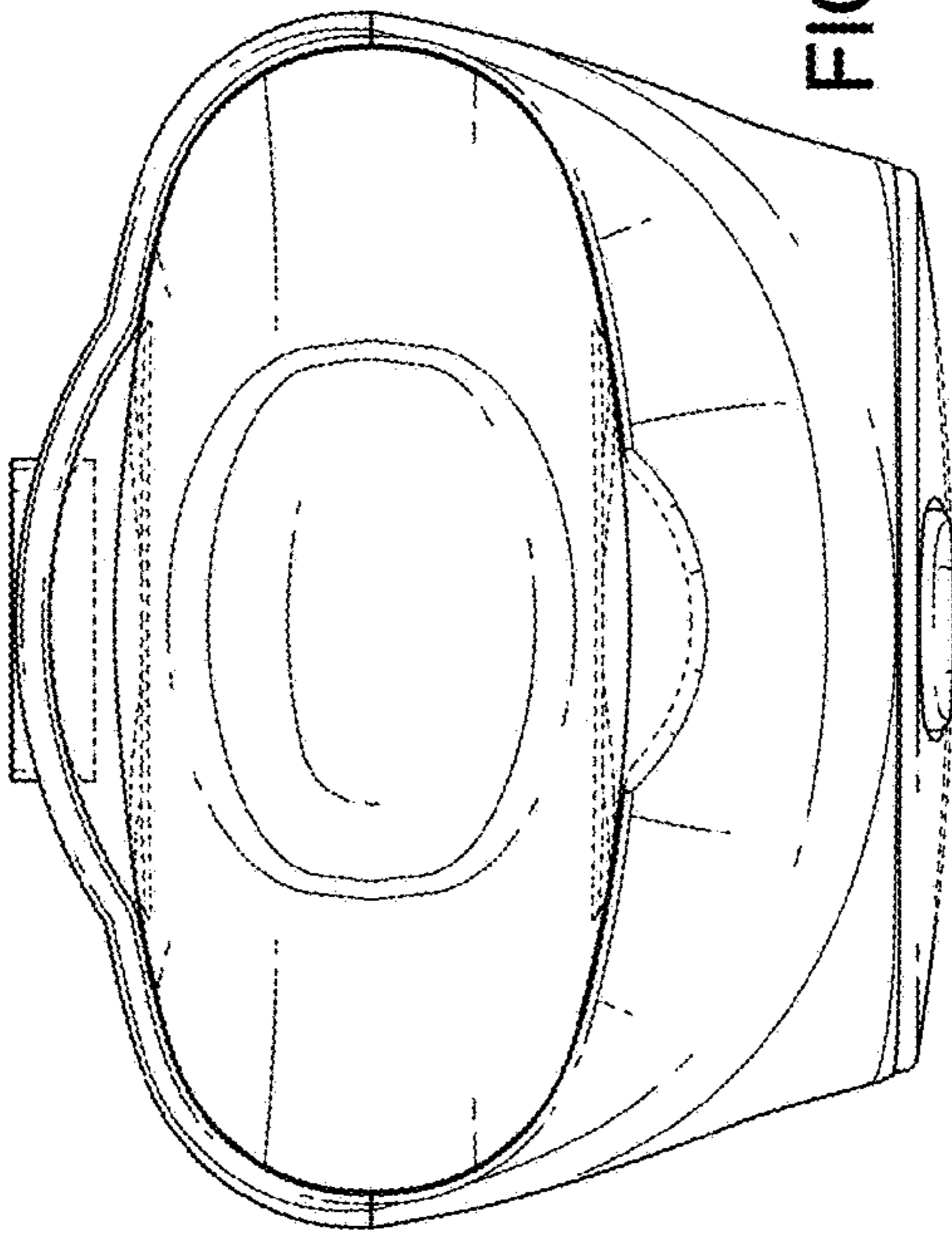


FIG. 13

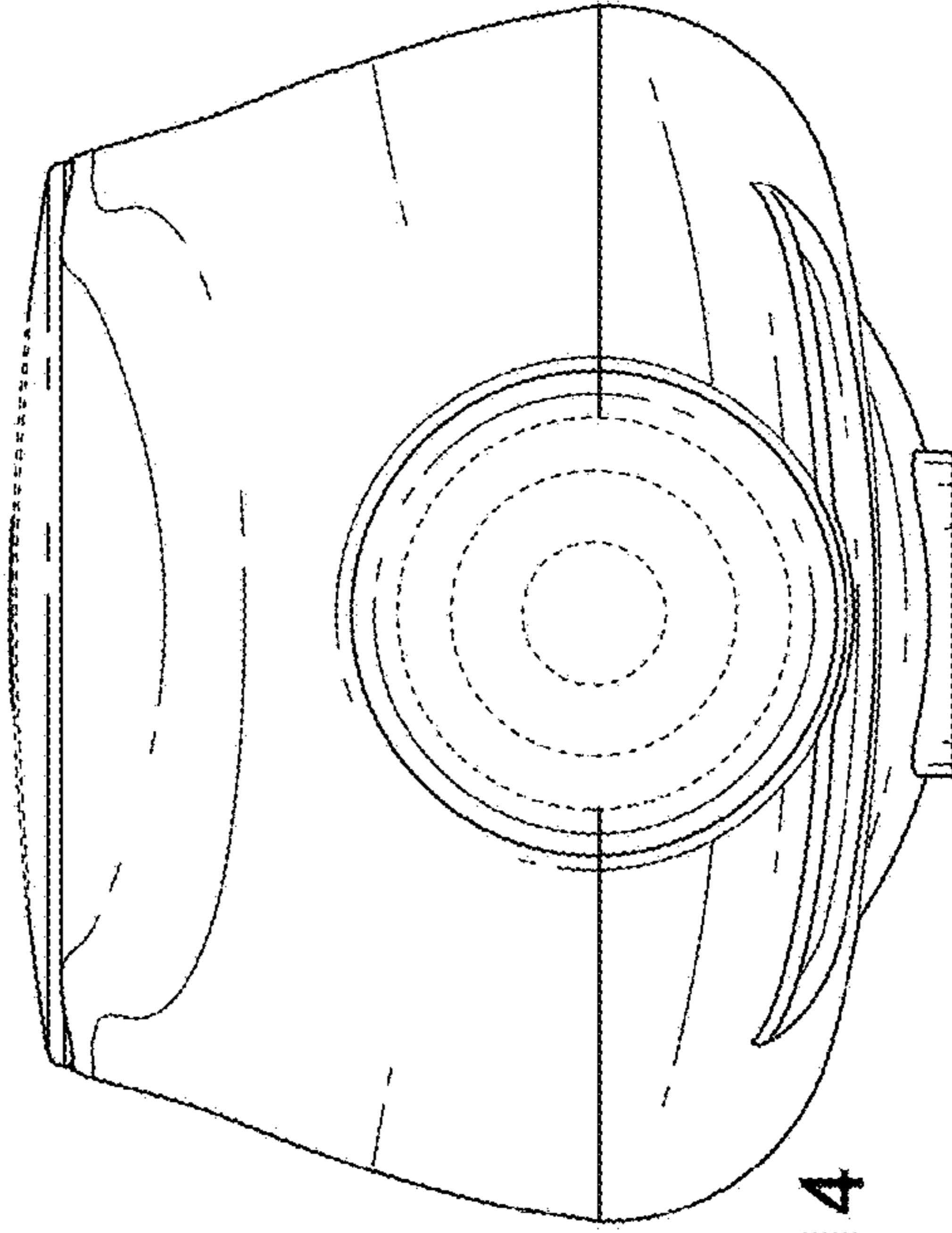


FIG. 14

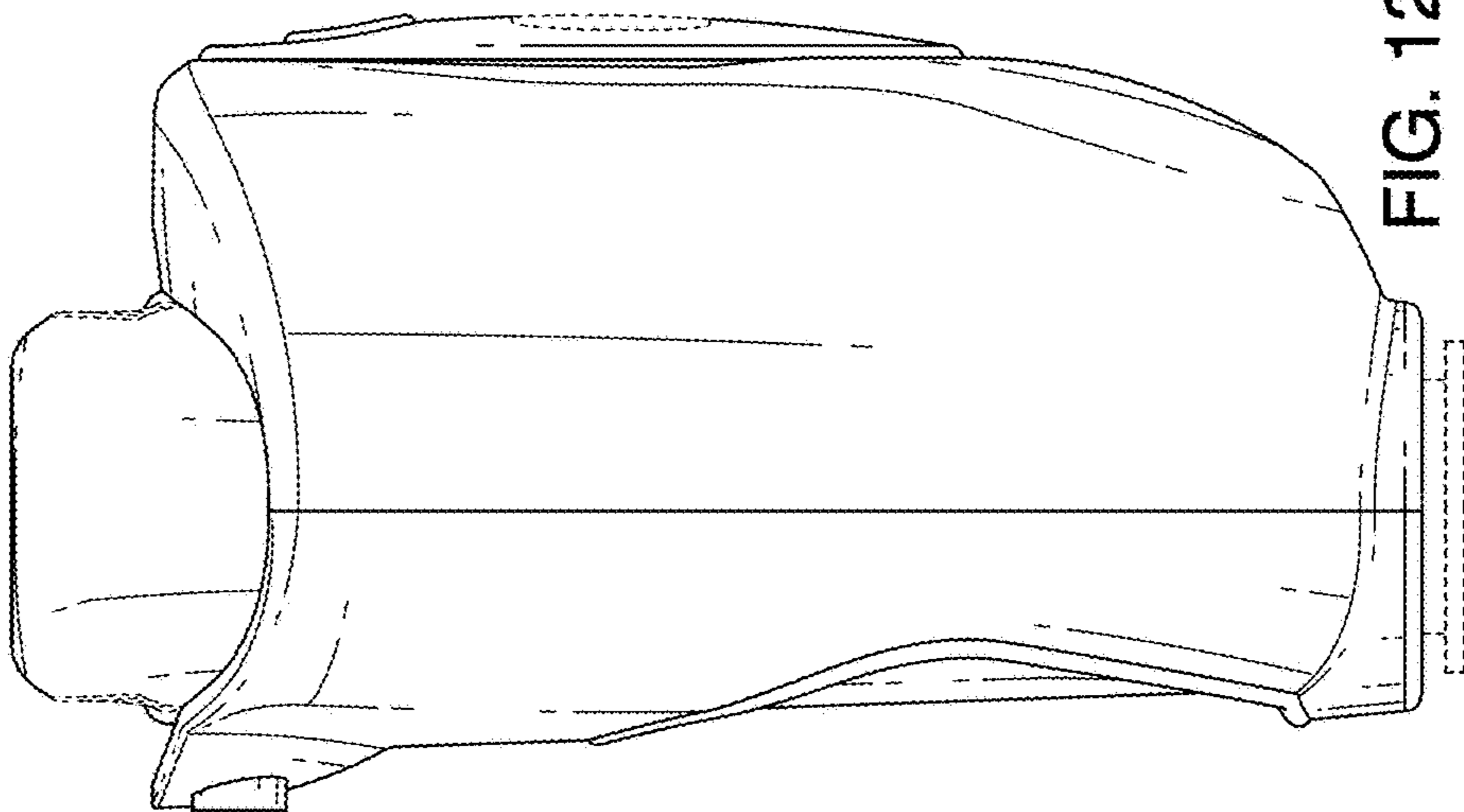


FIG. 12