



US00D778083S

(12) **United States Design Patent** (10) **Patent No.:** **US D778,083 S**
Abbott (45) **Date of Patent:** **** Feb. 7, 2017**

(54) **DOG WASTE BAG DISPENSER**
(71) Applicant: **Brian F. Abbott**, Fort Worth, TX (US)
(72) Inventor: **Brian F. Abbott**, Fort Worth, TX (US)
(**) Term: **14 Years**
(21) Appl. No.: **29/517,621**
(22) Filed: **Feb. 13, 2015**
(51) **LOC (10) Cl.** **20-02**
(52) **U.S. Cl.**
USPC **D6/518**
(58) **Field of Classification Search**
USPC D6/515-523; 206/225, 233, 389, 391;
211/13.1; 222/173, 180; 221/26, 33, 282,
221/283, 61; 242/570, 590; 248/309.1,
248/309.2, 905; D22/116, 115
CPC E01H 2001/128; E01H 1/1206; E01H
2001/1286; E01H 2001/124
See application file for complete search history.

D652,474 S * 1/2012 Klement D22/115
D652,477 S * 1/2012 Klement D22/115
D733,454 S * 7/2015 Von Heifner D6/515
2006/0231043 A1* 10/2006 Galdo A01K 27/006
119/796
2009/0194553 A1* 8/2009 Hoefing A47K 10/3827
221/45

* cited by examiner

Primary Examiner — David Muller
Assistant Examiner — Nathan Johnston
(74) *Attorney, Agent, or Firm* — Dobbin IP Law P.C.;
Geoffrey E. Dobbin

(57) **CLAIM**

The ornamental design for a dog waste bag dispenser, as shown and described.

DESCRIPTION

FIG. 1 is a perspective view of the dog waste bag dispenser. FIG. 2 is a front elevation thereof. FIG. 3 is a right elevation thereof. FIG. 4 is a rear elevation thereof. FIG. 5 is a left elevation thereof. FIG. 6 is a top plan view thereof. FIG. 7 is a bottom plan view thereof. FIG. 8 is an alternate perspective view thereof. FIG. 9 is an alternate perspective view thereof; and, FIG. 10 is an alternate perspective view thereof. The broken line showing of parts of the drawings is included for the purpose of illustrating use and environment and forms no part of the claimed design.

1 Claim, 9 Drawing Sheets

(56) **References Cited**

U.S. PATENT DOCUMENTS

5,135,134 A * 8/1992 Dancy B65H 35/002
221/155
6,213,345 B1 * 4/2001 Plank B65D 83/0805
206/494
6,240,881 B1 * 6/2001 Edwards A01K 27/004
119/795
D464,179 S * 10/2002 Petersen D30/153
D522,780 S * 6/2006 Sellars D6/518
D525,466 S * 7/2006 Lai D6/520
D616,233 S * 5/2010 Yang D6/518
D652,472 S * 1/2012 Klement D22/115

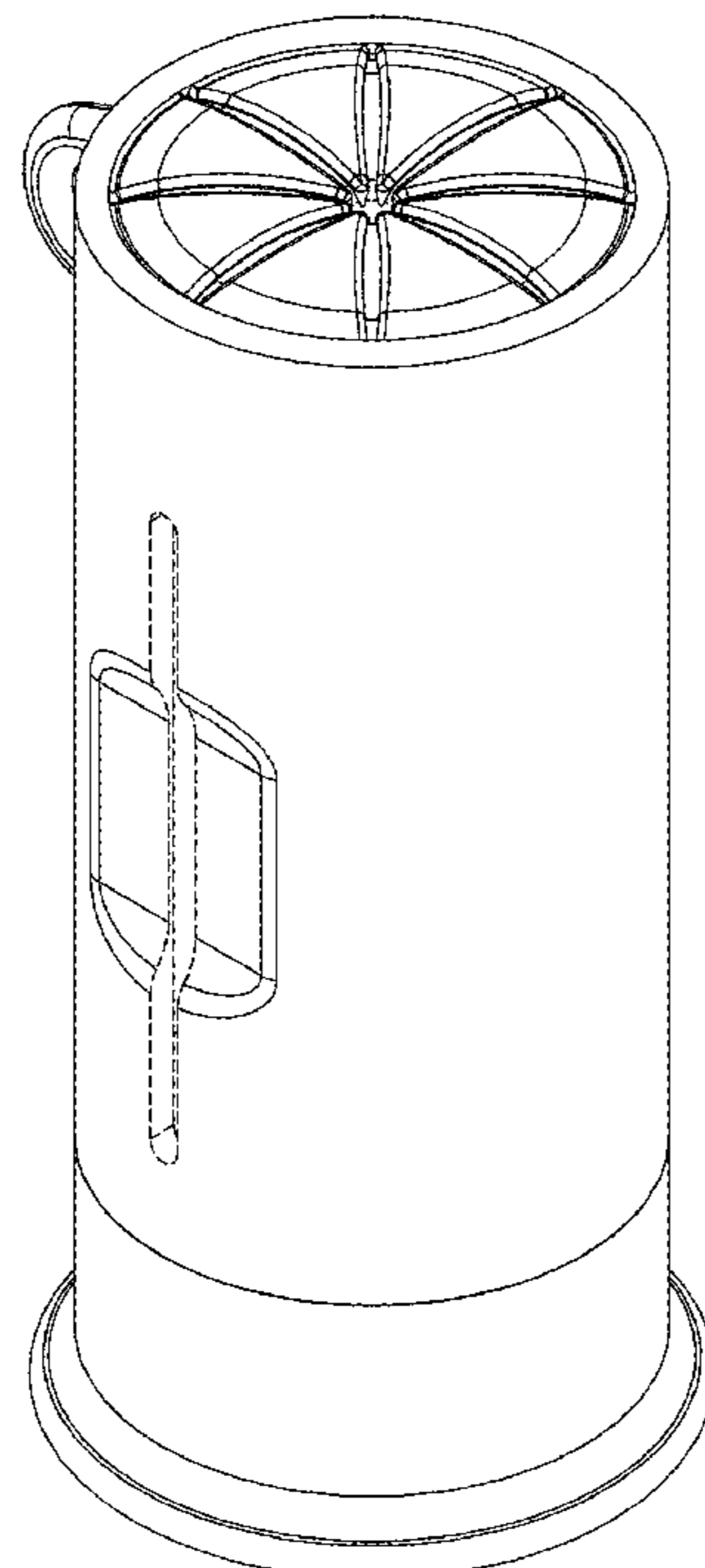


FIG. 1

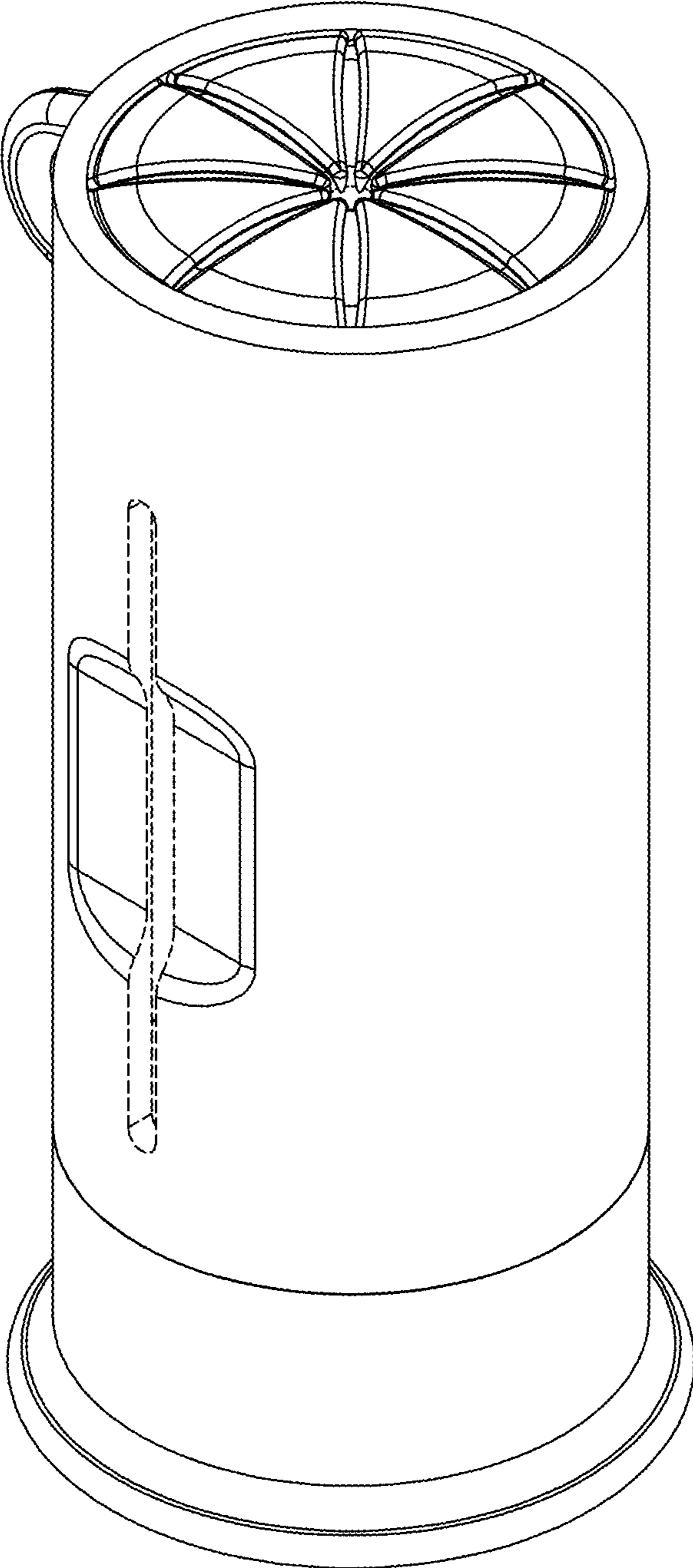


FIG. 2

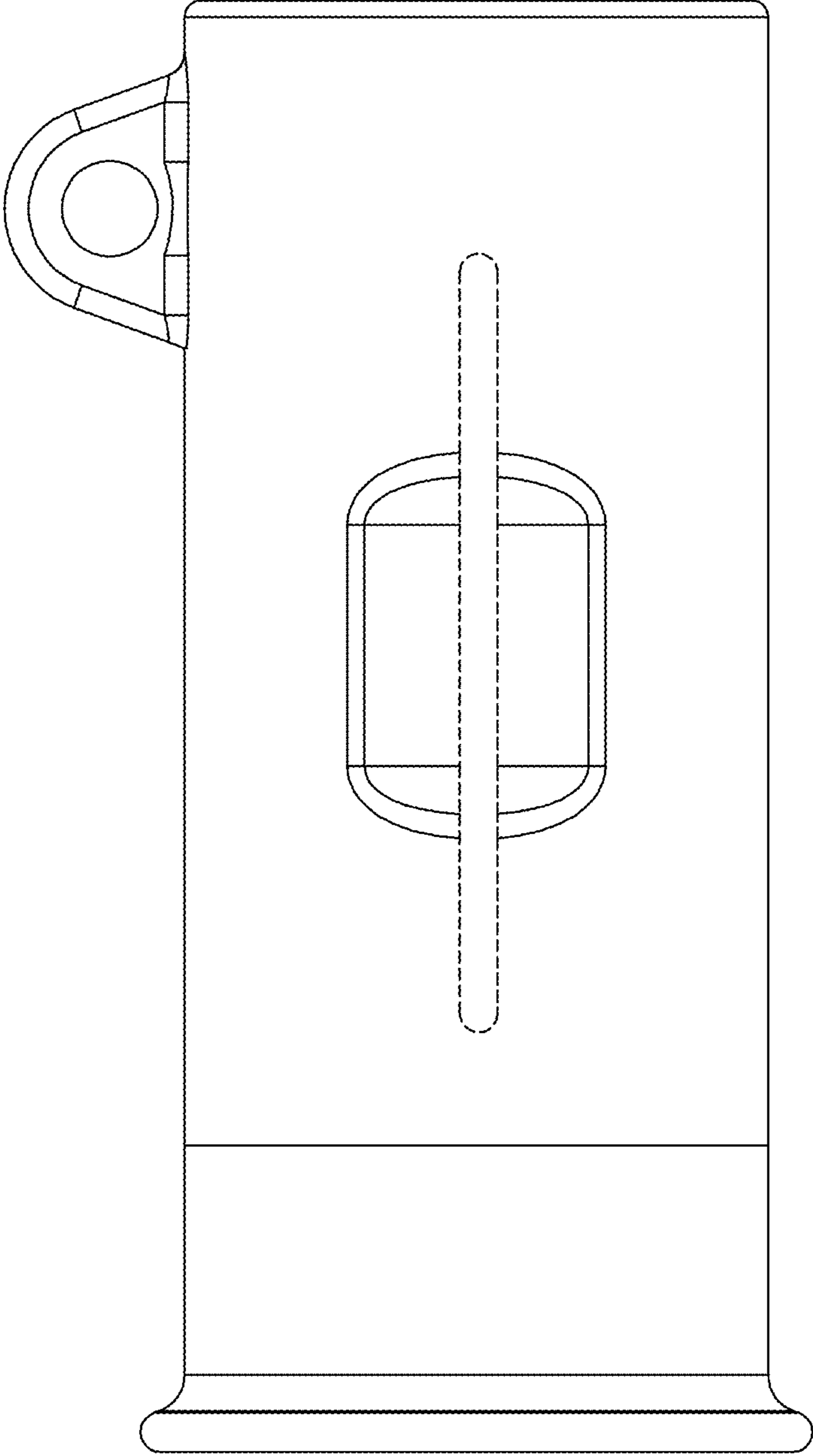


FIG. 3

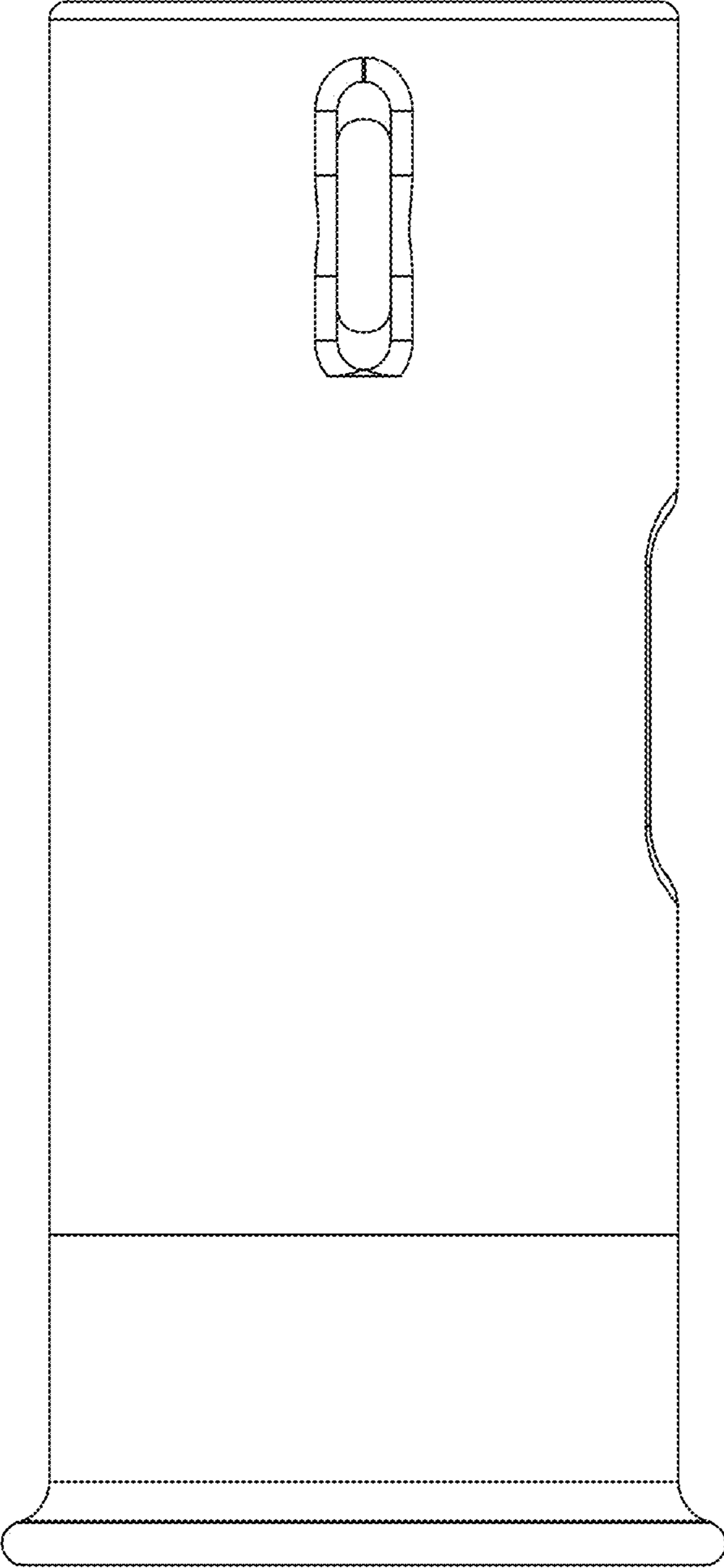


FIG. 4

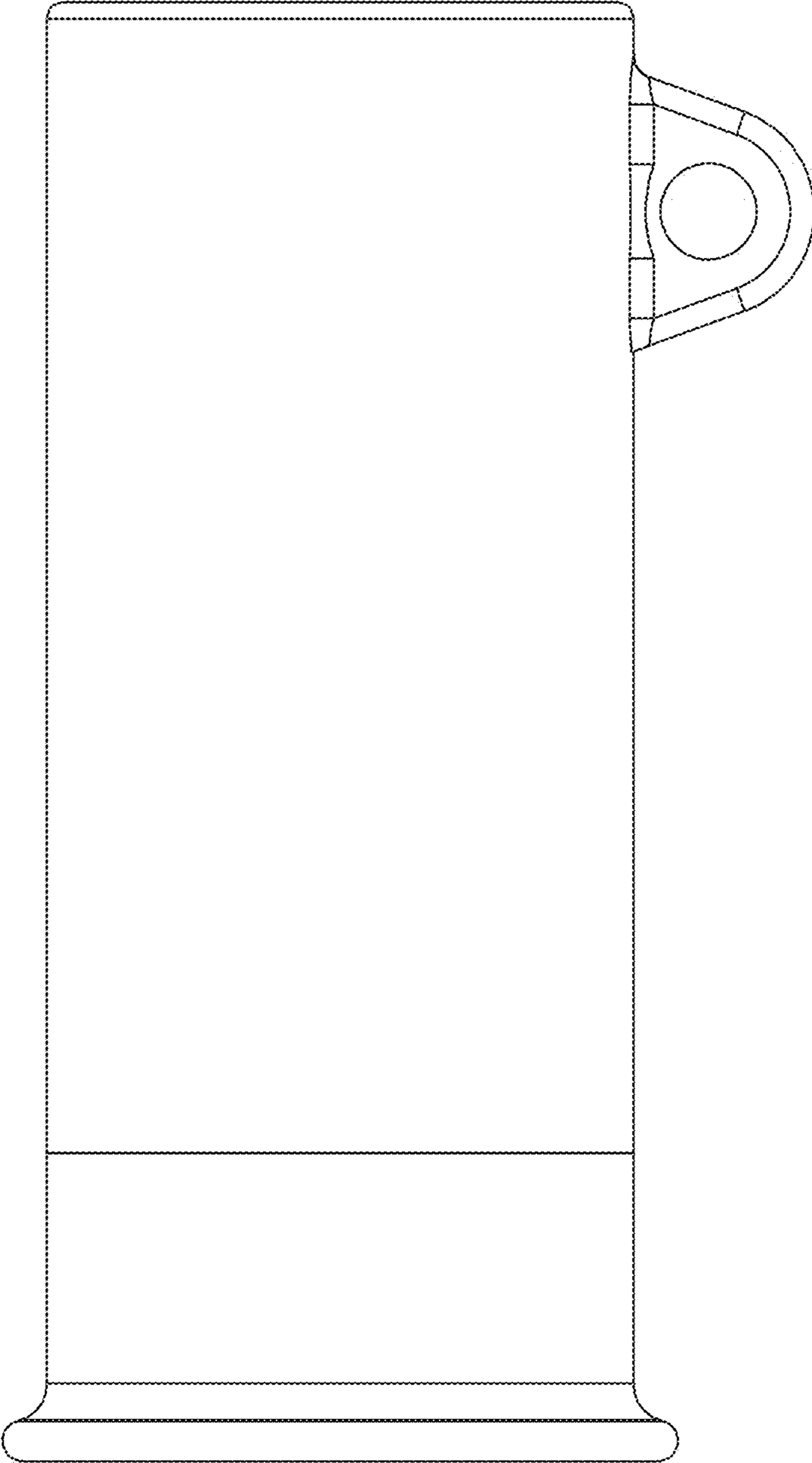


FIG. 5

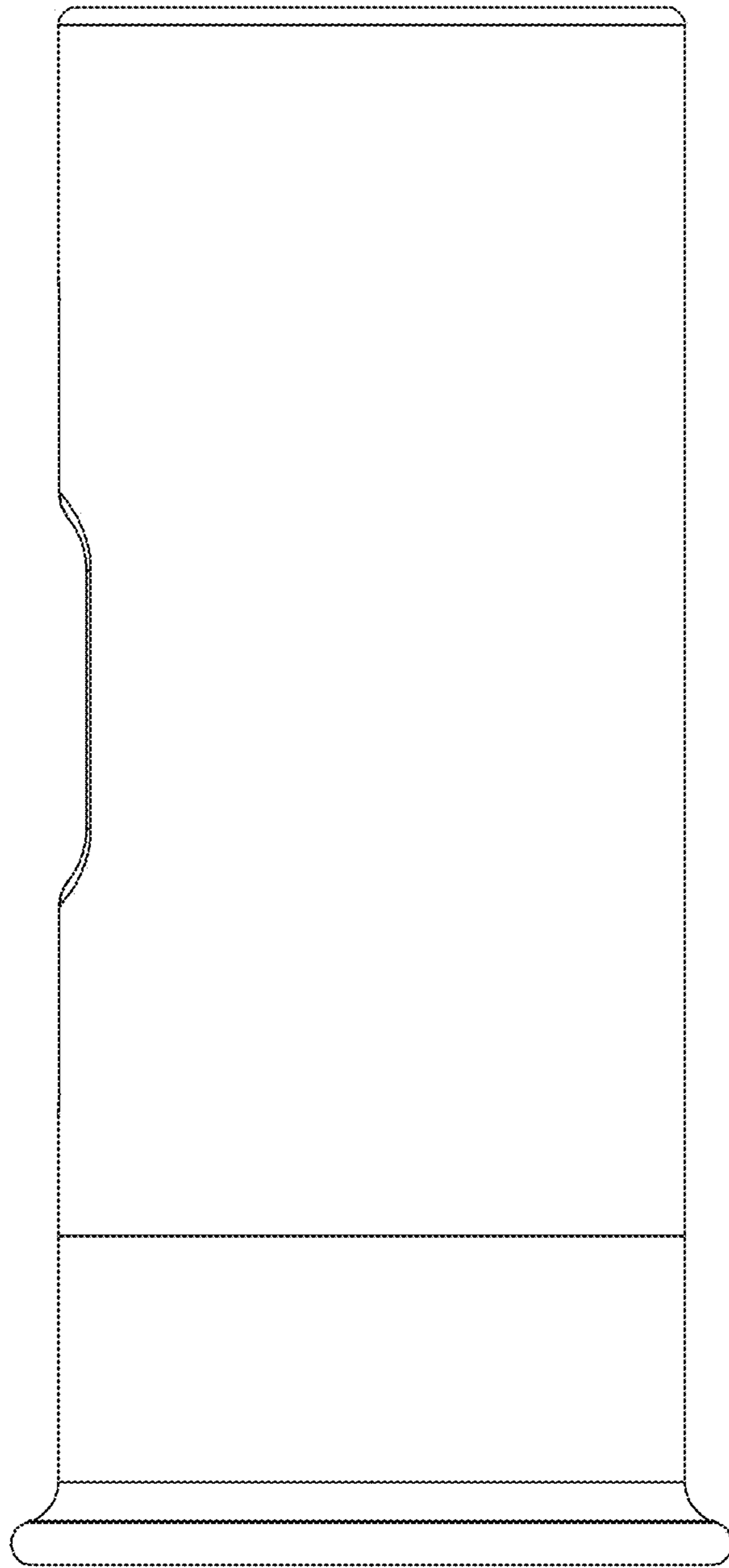


FIG. 6

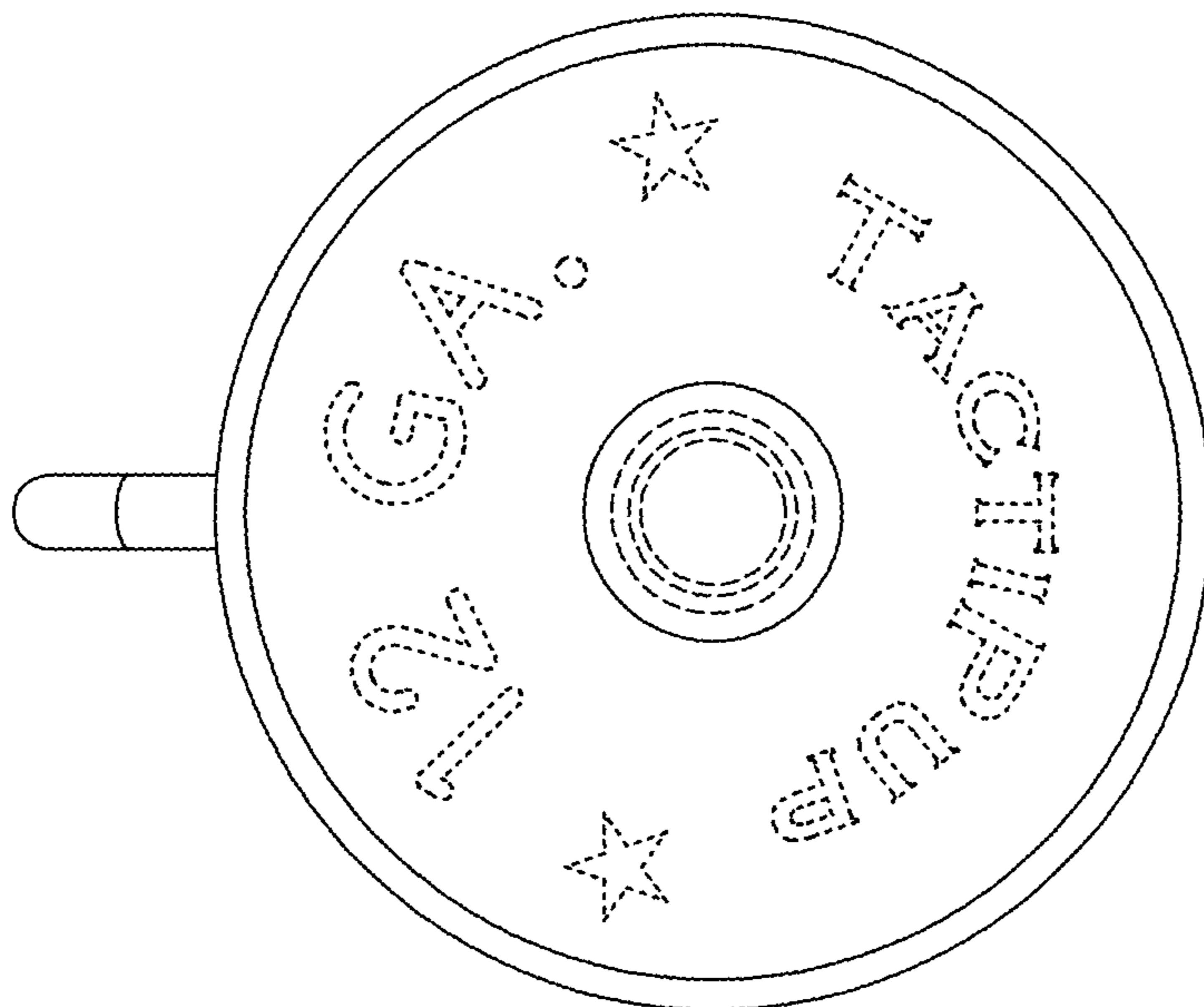
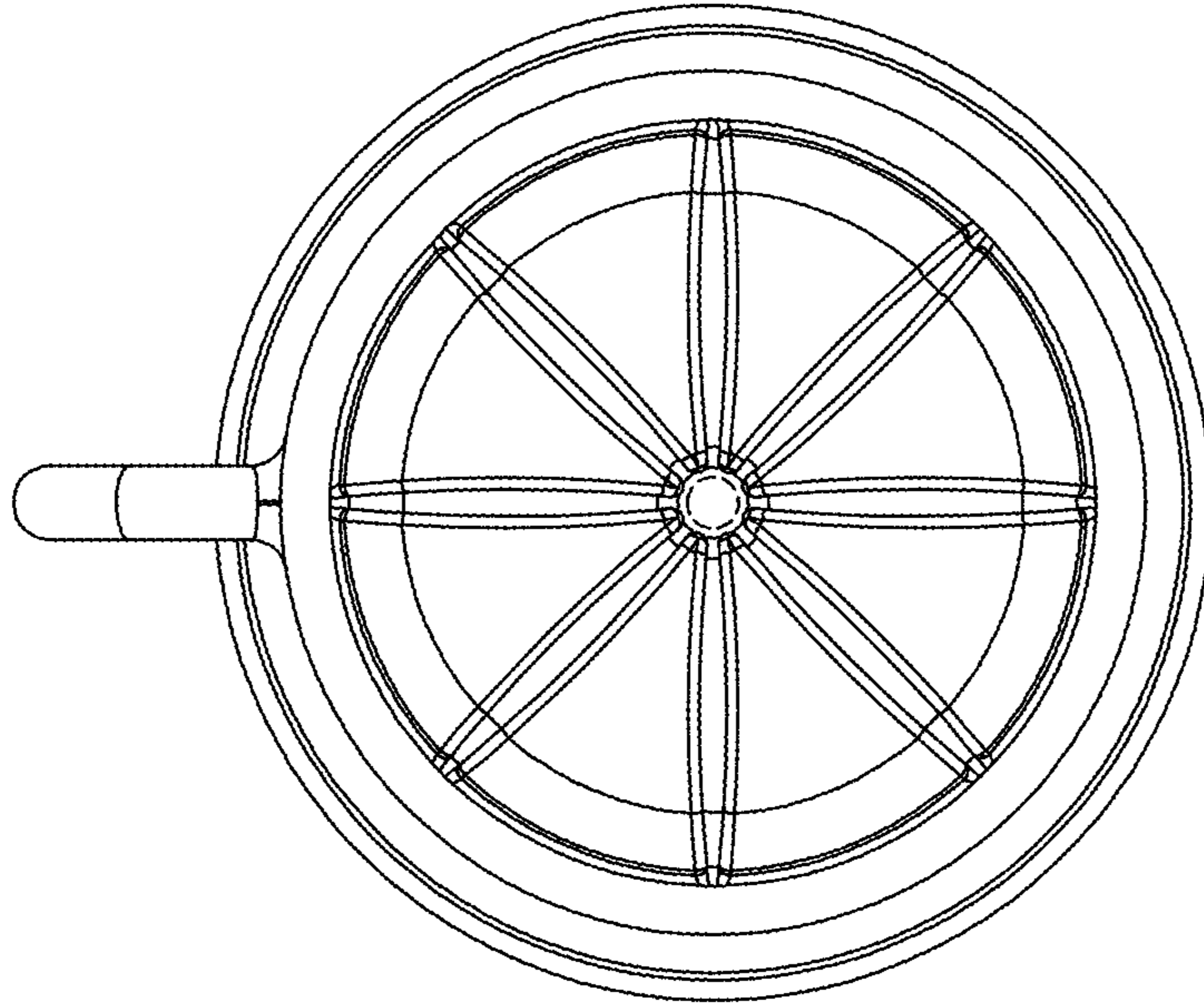


FIG. 7

FIG. 8

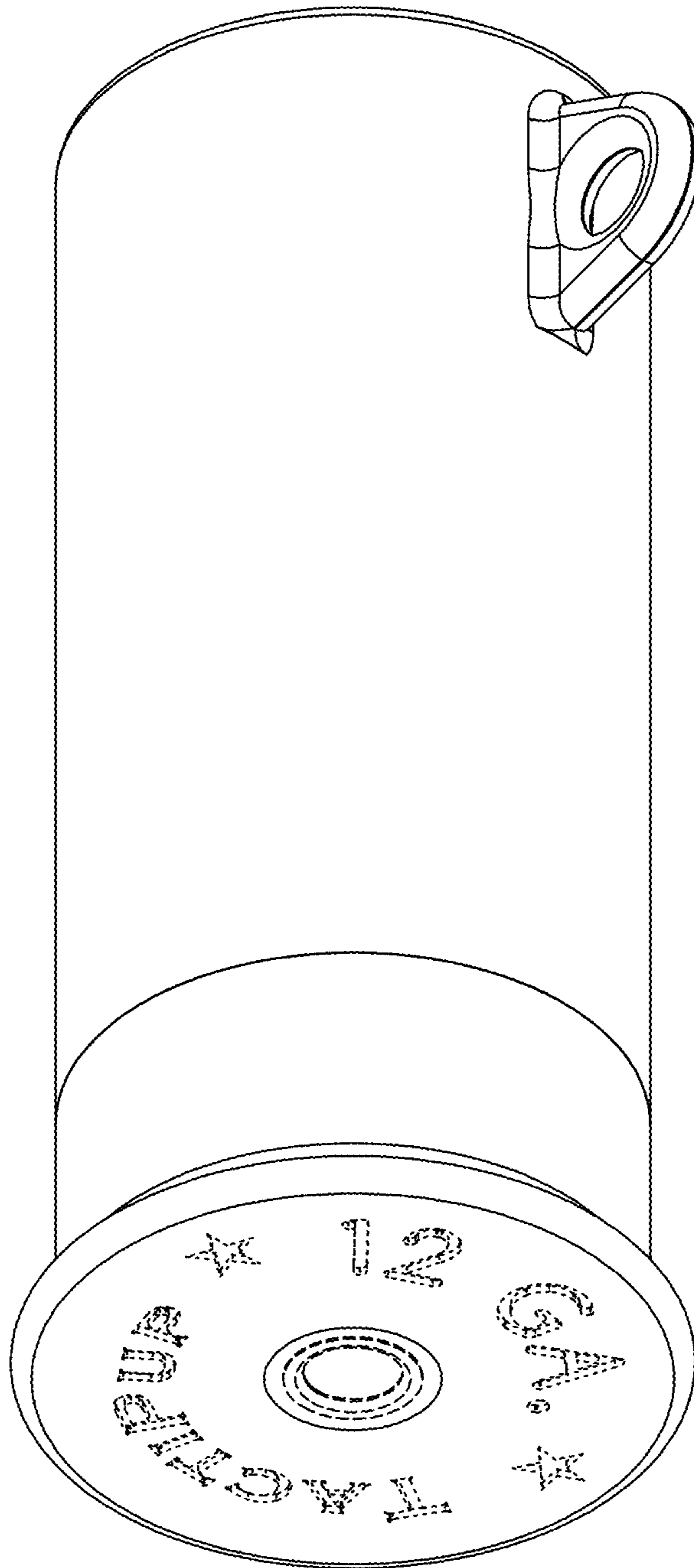


FIG. 9

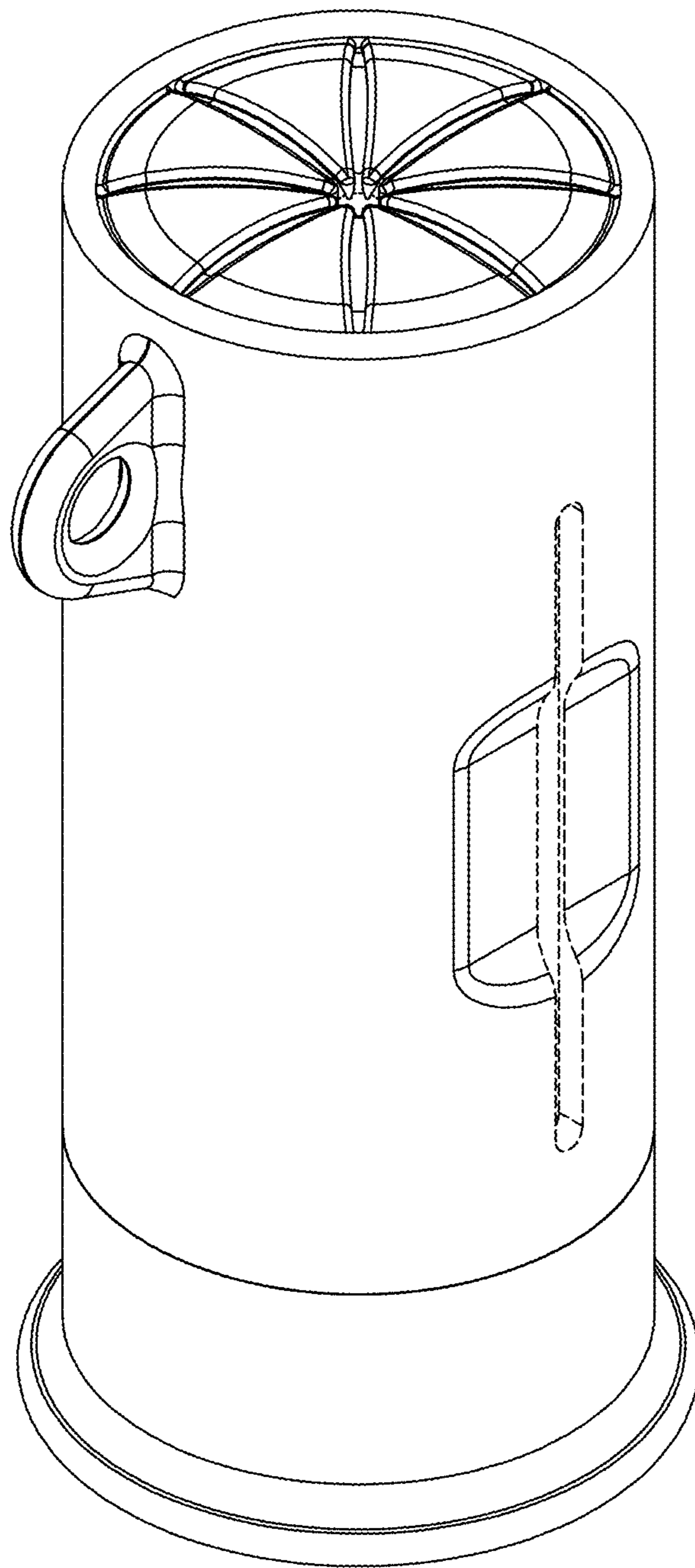


FIG. 10

