



US00D778081S

(12) **United States Design Patent**
Prokofiev

(10) **Patent No.:** **US D778,081 S**

(45) **Date of Patent:** **** Feb. 7, 2017**

(54) **CHAIR**

(71) Applicant: **Keter Plastic Ltd.**, Herzelia (IL)

(72) Inventor: **Vadim Prokofiev**, Kfar Saba (IL)

(73) Assignee: **Keter Plastic Ltd.**, Herzelia (IL)

(**) Term: **15 Years**

(21) Appl. No.: **29/532,528**

(22) Filed: **Jul. 8, 2015**

(51) **LOC (10) Cl.** **06-01**

(52) **U.S. Cl.**
USPC **D6/370**

(58) **Field of Classification Search**
USPC D6/334-336, 370, 374, 375, 379, 380,
D6/716, 716.1, 716.2, 716.3, 716.4
CPC A47C 3/04; A47C 4/02; A47C 4/03;
A47C 5/12; A47C 7/16
See application file for complete search history.

(56) **References Cited**

U.S. PATENT DOCUMENTS

D334,299 S * 3/1993 Embree D6/370
D384,511 S * 10/1997 Gresens D6/366

D607,223 S * 1/2010 Adams D6/370
D660,040 S * 5/2012 Bogdan D6/370
D677,069 S * 3/2013 Adams, IV D6/370
D717,058 S * 11/2014 Prokofiev D6/370
D733,449 S * 7/2015 Adams, IV D6/370

* cited by examiner

Primary Examiner — Mimososa De

(74) *Attorney, Agent, or Firm* — Eitan, Mehulal & Sadot

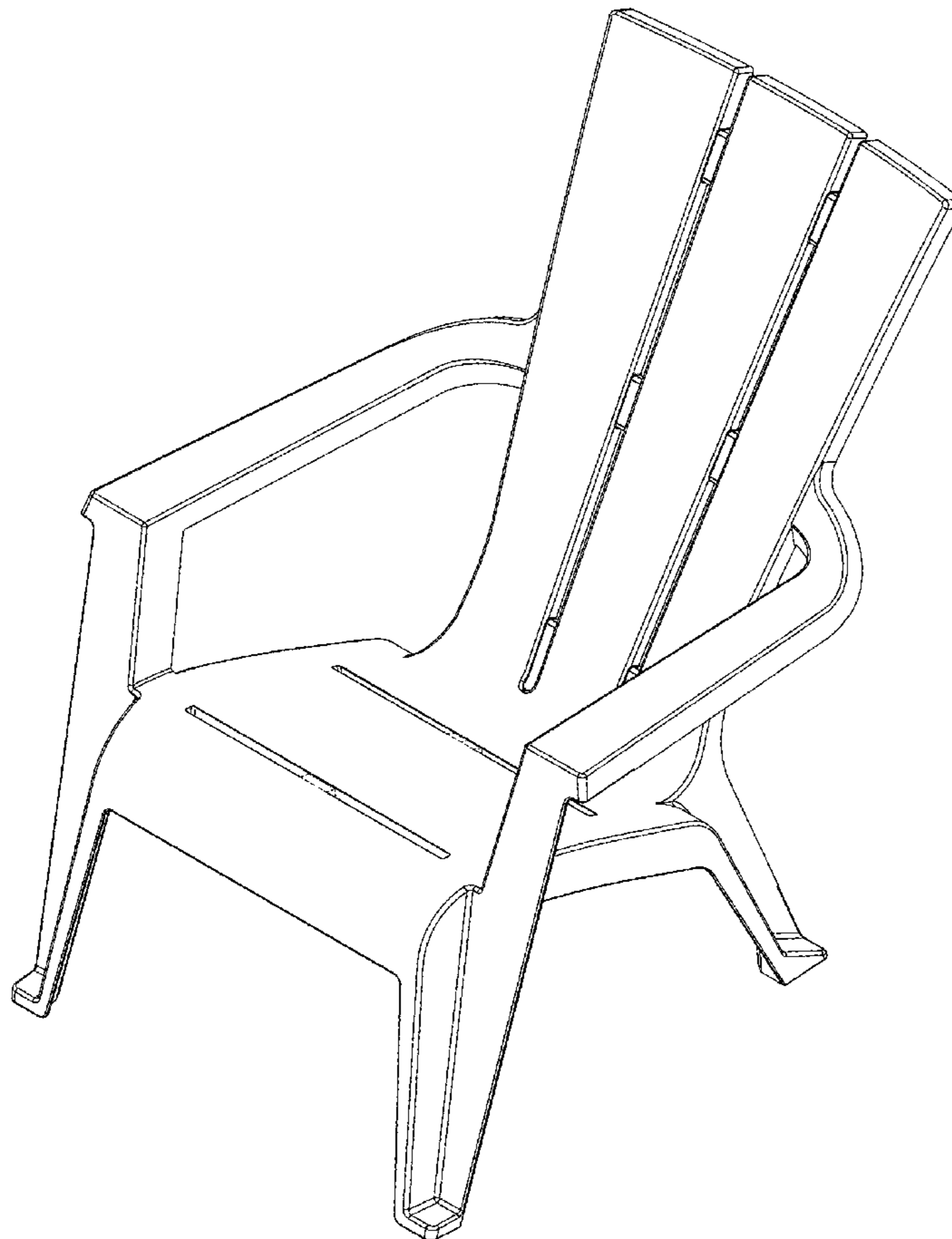
(57) **CLAIM**

The ornamental design for a chair, as shown and described.

DESCRIPTION

FIG. 1 is a first perspective view of the chair;
FIG. 2 is a front view of the chair;
FIG. 3 is a rear view of the chair;
FIG. 4 is a left side view of the chair;
FIG. 5 is a right side view of the chair;
FIG. 6 is a top plan view of the chair; and,
FIG. 7 is a bottom plan view of the chair.
Portions of the article shown in broken lines form no part of the claimed design.

1 Claim, 7 Drawing Sheets



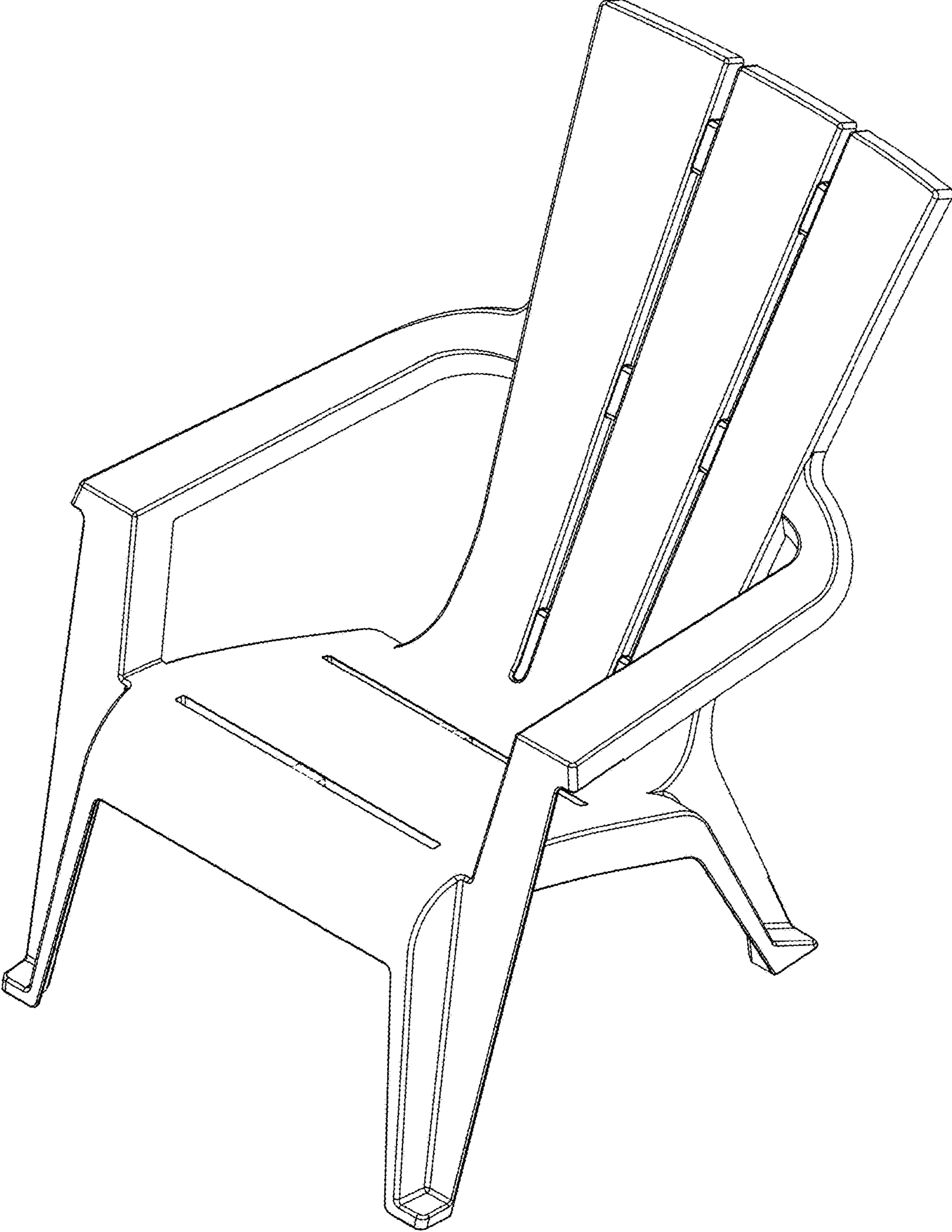


FIG.1

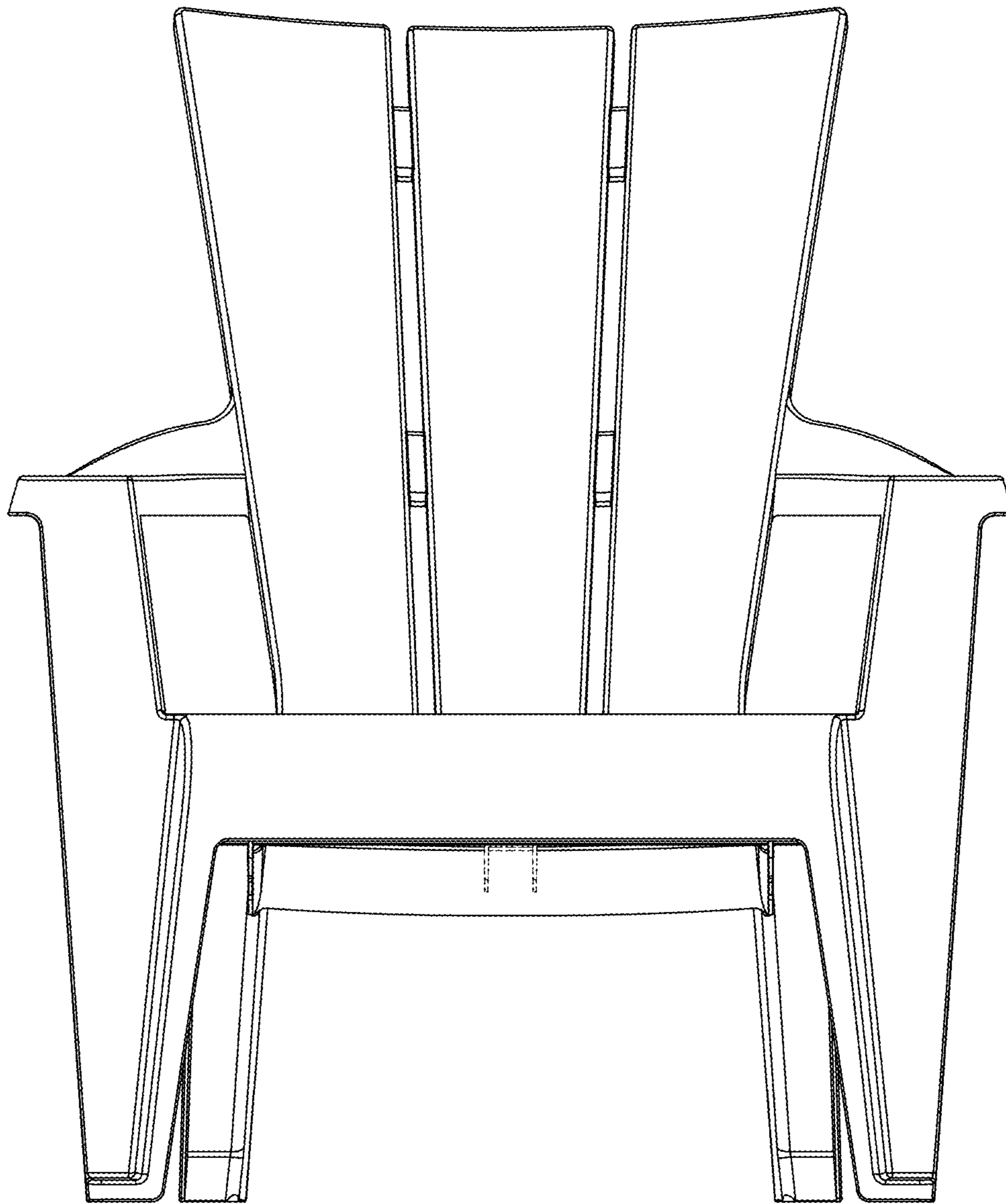


FIG.2

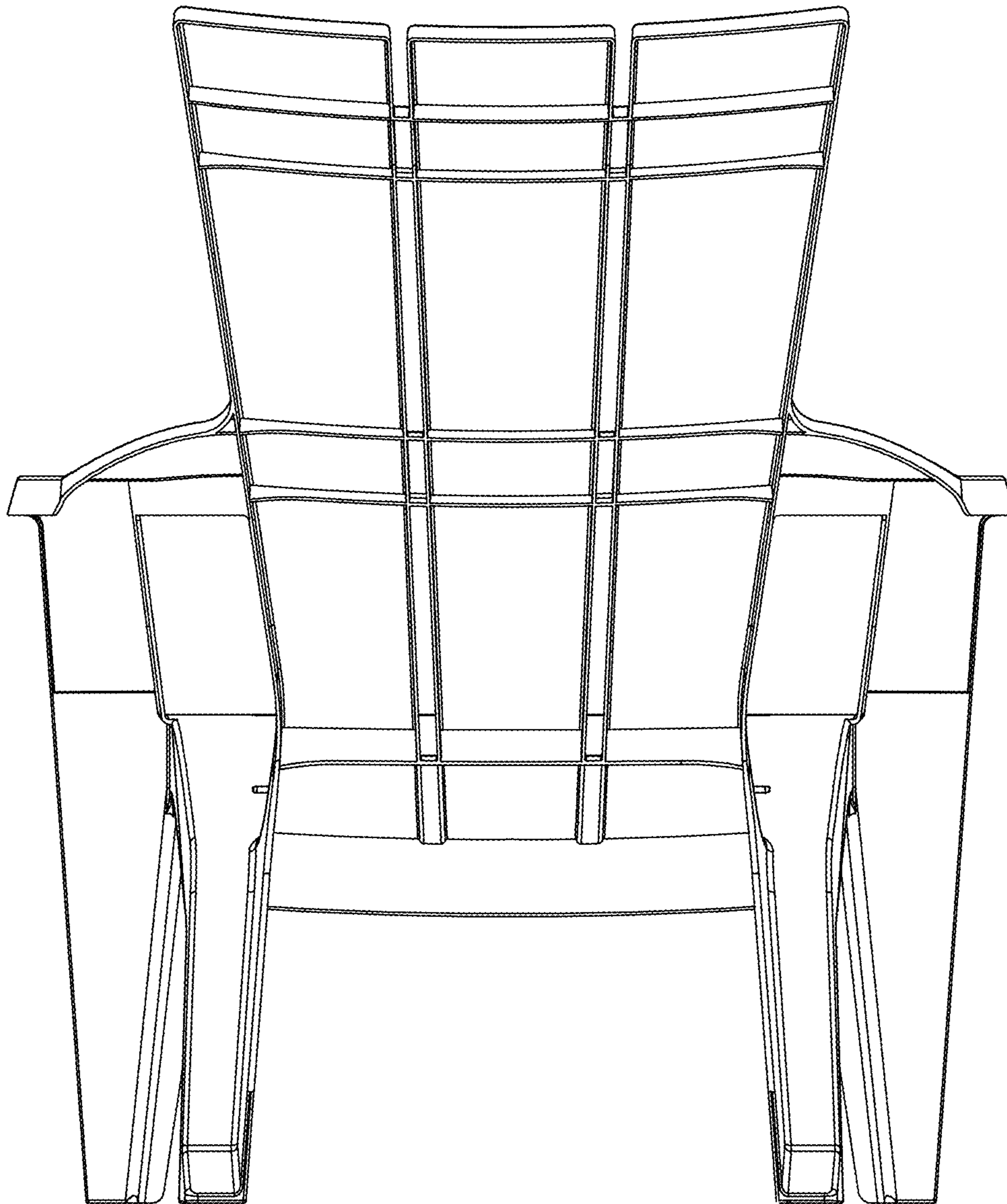


FIG.3

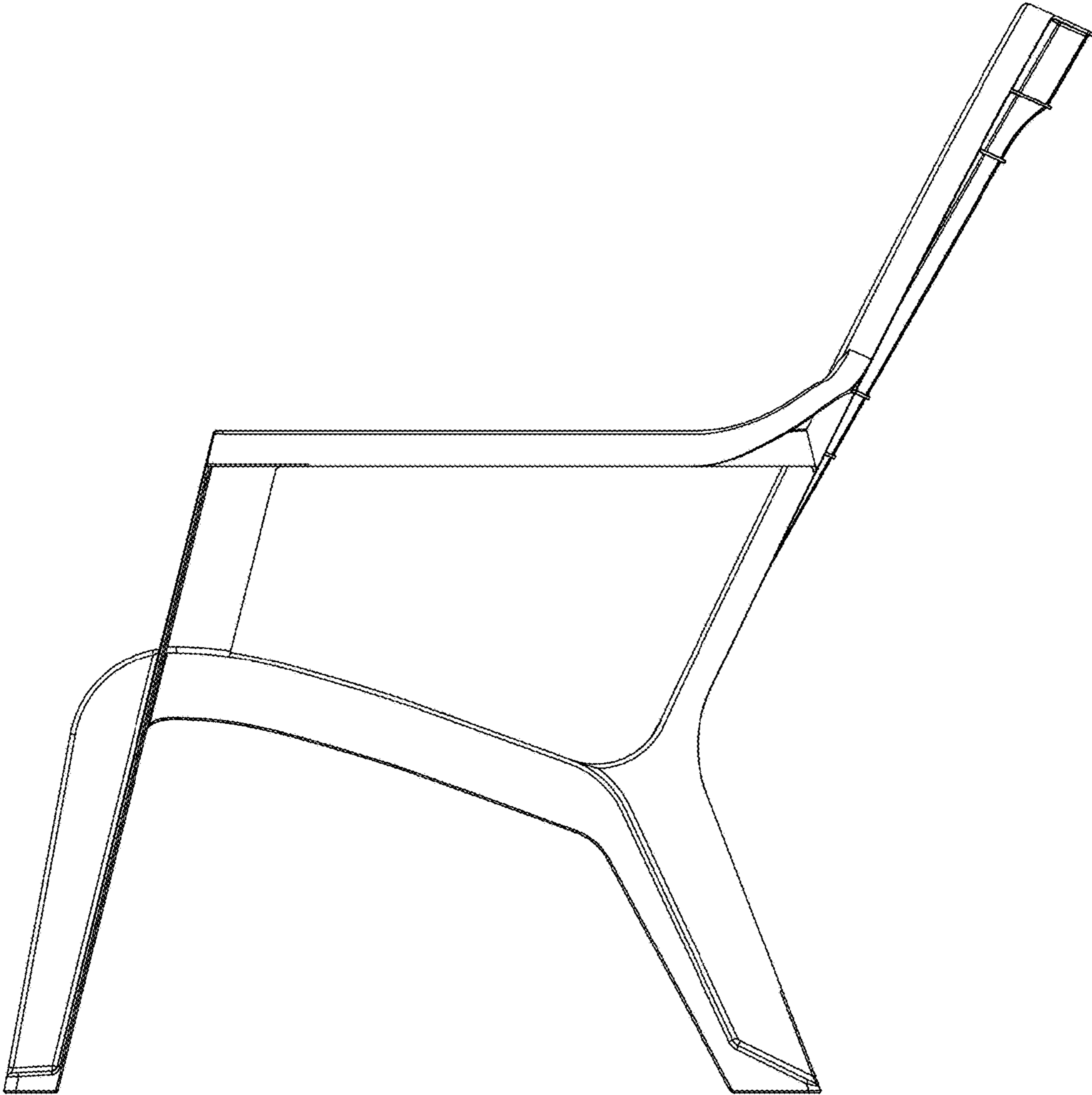


FIG. 4

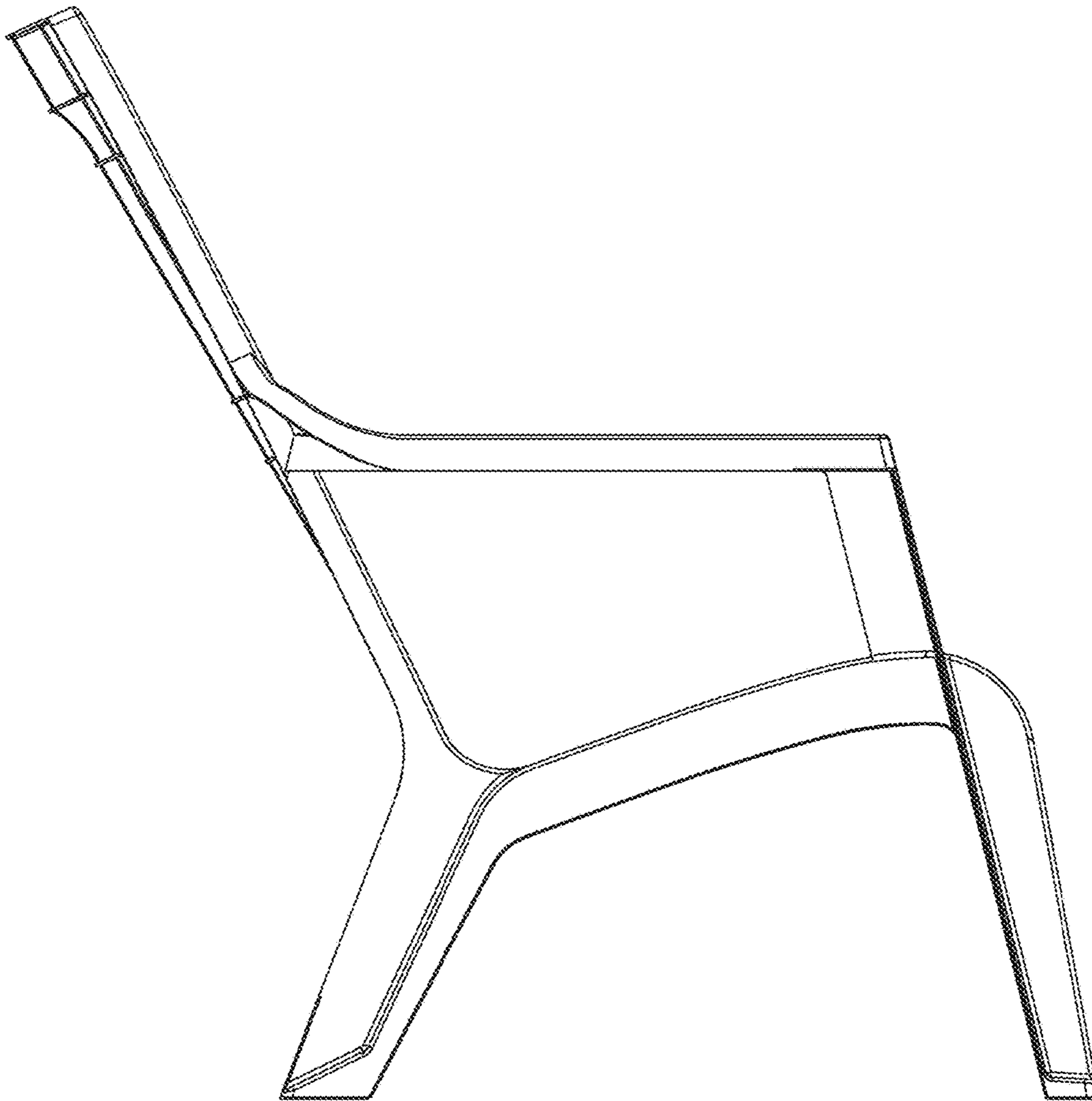


FIG. 5

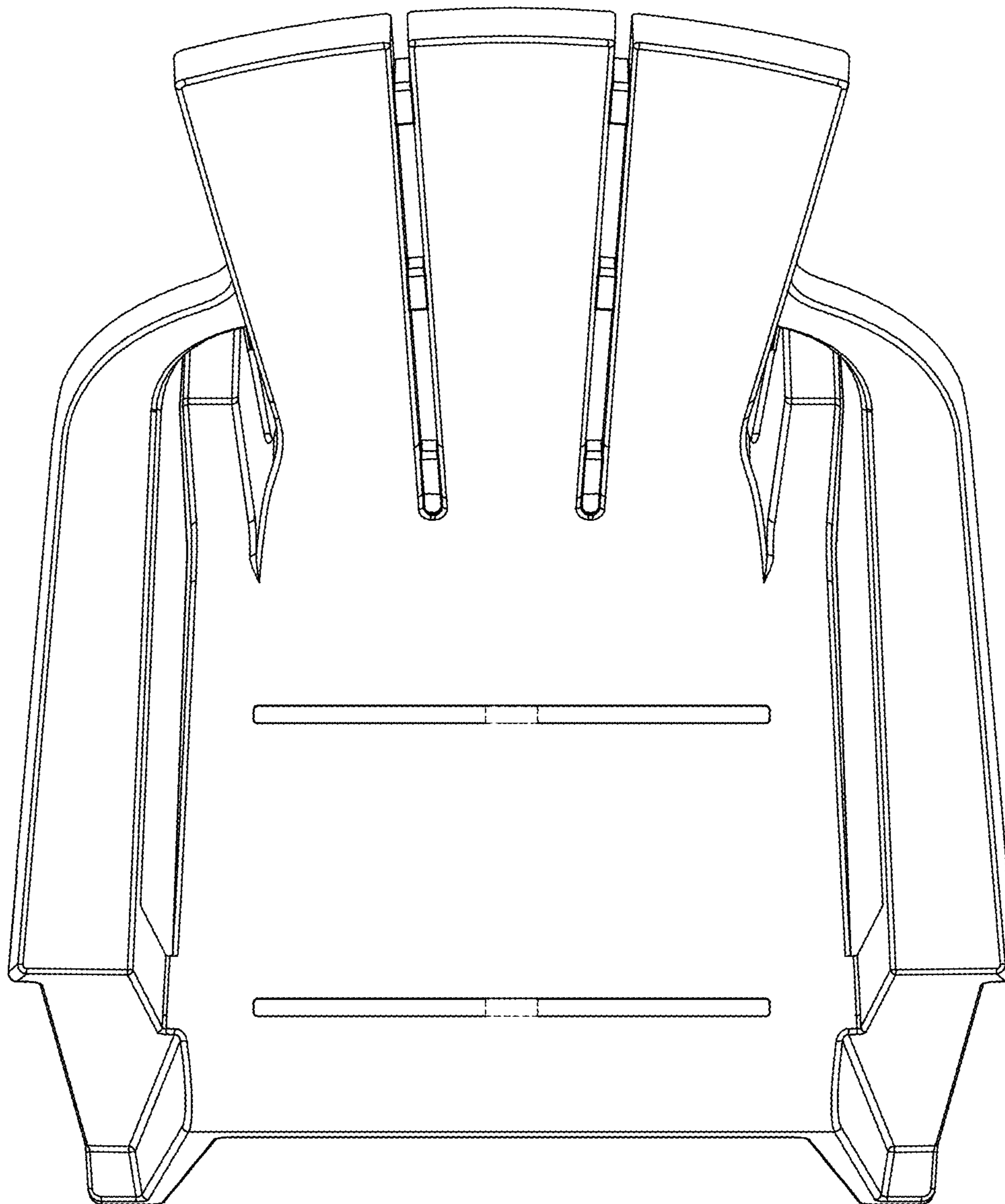


FIG.6

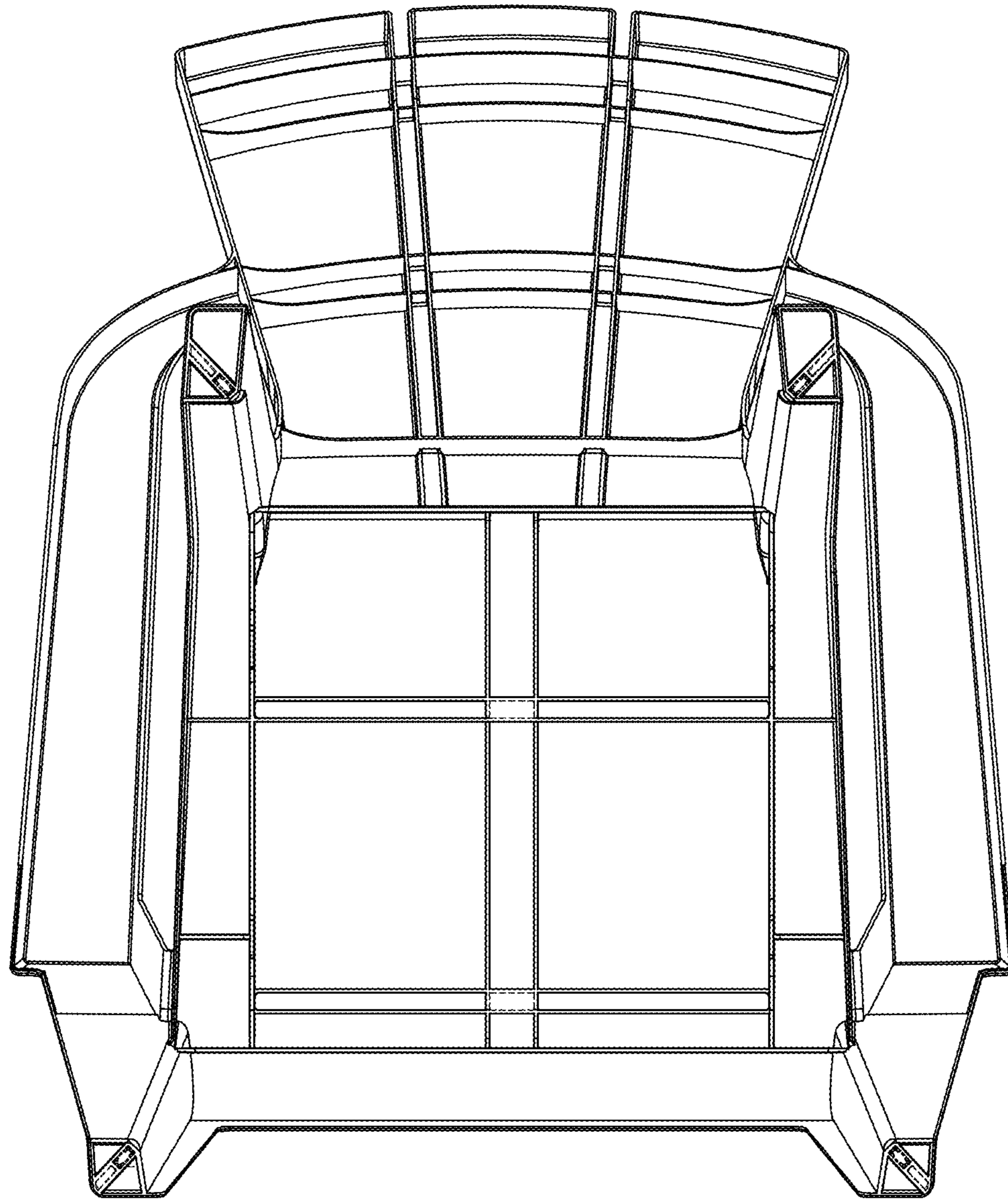


FIG. 7