



US00D778079S

(12) **United States Design Patent** (10) **Patent No.:** **US D778,079 S**
Porter et al. (45) **Date of Patent:** **** Feb. 7, 2017**

(54) **BICYCLE SADDLE**
(71) Applicant: **David R. Porter**, North Kansas City, MO (US)
(72) Inventors: **David R. Porter**, Kansas City, MO (US); **Drake L. Koch**, Kansas City, MO (US)
(73) Assignee: **David R. Porter**, North Kansas City, MO (US)

5,286,082 A 2/1994 Hanson
5,330,249 A 7/1994 Webert et al.
5,636,896 A 6/1997 Howard
5,711,573 A 1/1998 Daniels et al.
5,738,406 A 4/1998 Deus
5,823,618 A 10/1998 Fox et al.
D408,159 S * 4/1999 Clutton D6/354
5,938,277 A 8/1999 Rioux et al.
6,019,423 A * 2/2000 Dodge B62J 1/002
297/195.1
D429,905 S * 8/2000 White D6/354
(Continued)

(**) Term: **15 Years**

(21) Appl. No.: **29/539,192**

(22) Filed: **Sep. 11, 2015**

(51) **LOC (10) Cl.** **06-01**

(52) **U.S. Cl.**
USPC **D6/354**

(58) **Field of Classification Search**
USPC D6/340, 354; D12/110, 111; 296/65.13, 296/68.1, 132; 297/195.1, 196-215, 297/215.1-216.16, 452.1, 452.11-452.19, 297/452.21, 452.4, 452.55-452.59, 297/452.63-452.65
CPC B62J 1/002; B62J 1/005; B62J 1/007; B62J 1/26

See application file for complete search history.

(56) **References Cited**

U.S. PATENT DOCUMENTS

612,972 A * 10/1898 Leech B62J 1/002
297/201
1,858,477 A * 5/1932 Blake B62J 1/02
297/202
4,429,915 A 2/1984 Flager
4,504,089 A 3/1985 Calvert et al.
4,541,668 A 9/1985 Rouw
4,611,851 A 9/1986 Noyes et al.
5,074,618 A 12/1991 Ballard
5,147,685 A 9/1992 Hanson

OTHER PUBLICATIONS

“No-Nose Bicycle Seats: Are They the Answer to Erectile Dysfunction . . . ” Tree Hugger., Sep. 17, 2010 [online], [retrieved on Jul. 8, 2016]. Retrieved from the Internet <URL: <http://www.treehugger.com/bikes/no-nose-bicycle-seats-are-they-the-answer-to-erectile-dysfunction-and-pro-state-problems-among-cyclists.html>>.*

(Continued)

Primary Examiner — Darlington Ly
(74) *Attorney, Agent, or Firm* — Erickson Kernell IP, LLC

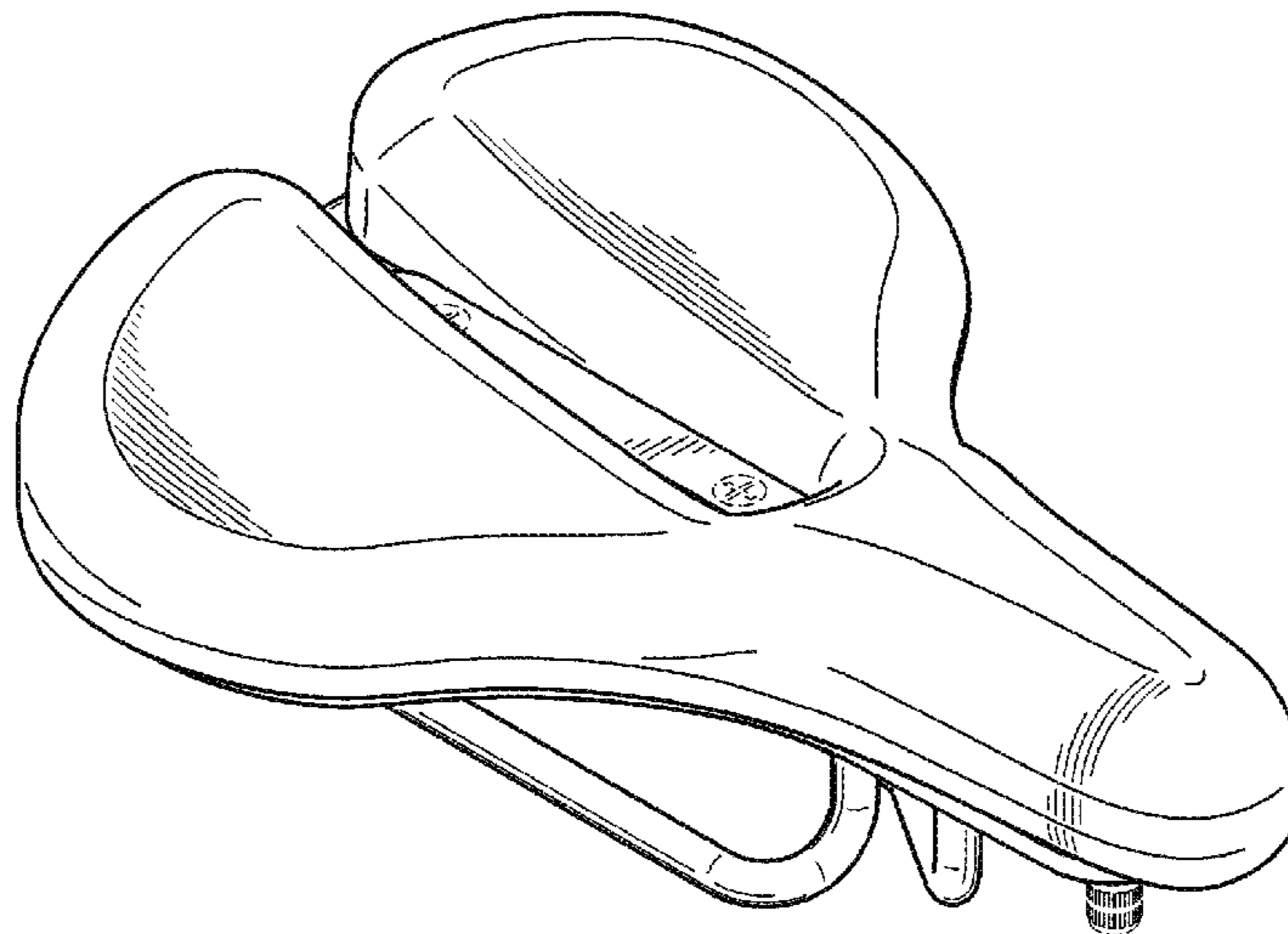
(57) **CLAIM**

The ornamental design for the bicycle saddle, as shown and described.

DESCRIPTION

FIG. 1 is an isometric view of the bicycle saddle showing our new design;
FIG. 2 is a top plan view thereof;
FIG. 3 is a right side elevation view thereof;
FIG. 4 is a left side elevation view thereof;
FIG. 5 is a bottom plan view thereof;
FIG. 6 is a front view thereof; and,
FIG. 7 is a rear elevation view thereof.
The broken lines in the drawings illustrate portions of the bicycle saddle that forms no part of the claimed design.

1 Claim, 4 Drawing Sheets



(56)

References Cited

U.S. PATENT DOCUMENTS

6,193,309	B1 *	2/2001	Gootter	B62J 1/002 297/202
6,305,743	B1	10/2001	Wheeler	
6,390,548	B1	5/2002	Cole	
6,874,849	B1	4/2005	Cox	
7,004,540	B2	2/2006	Catling	
7,448,676	B2	11/2008	Wyner et al.	
7,537,281	B2 *	5/2009	Riondato	B62J 1/002 297/202
7,828,378	B2	11/2010	Donaghey	
D642,846	S *	8/2011	Parish	D6/601
D684,780	S *	6/2013	Toll	D6/354
D722,446	S *	2/2015	Toll	D6/354
2003/0034678	A1 *	2/2003	Farre	A47C 3/20 297/195.11
2003/0067195	A1 *	4/2003	Sylvester	B62J 1/005 297/201
2007/0069557	A1 *	3/2007	Toll	B62J 1/007 297/202

OTHER PUBLICATIONS

“Specialized Com Gel Saddle.” Road Bike Rider., Aug. 27, 2015 [online], [retrieved on Jul. 8, 2016]. Retrieved from the Internet <URL: <https://www.roadbikerider.com/product-reviews/stuff-that-goes-on-bikes/saddles/1076-specialized-comp-gel-saddle>>.*

Stultz, John. “Bicycle Saddles.” Bicycle Touring Guide., Feb. 11, 2013 [online], [retrieved on Jul. 8, 2016]. Retrieved from the Internet <URL: <http://www.bicycle-touring-guide.com/bicycle-saddles/>>.*

McKinnain, Troy. “Finding the perfect bike saddle/seat/throne for you and your arse.” Bike Thrones., Aug. 18, 2011 [online], [retrieved on Jul. 8, 2016]. Retrieved from the Internet <URL: <http://www.bikethrones.com/finding-the-perfect-bike-saddleseat-throne-for-you-and-your-arse/>>.*

* cited by examiner

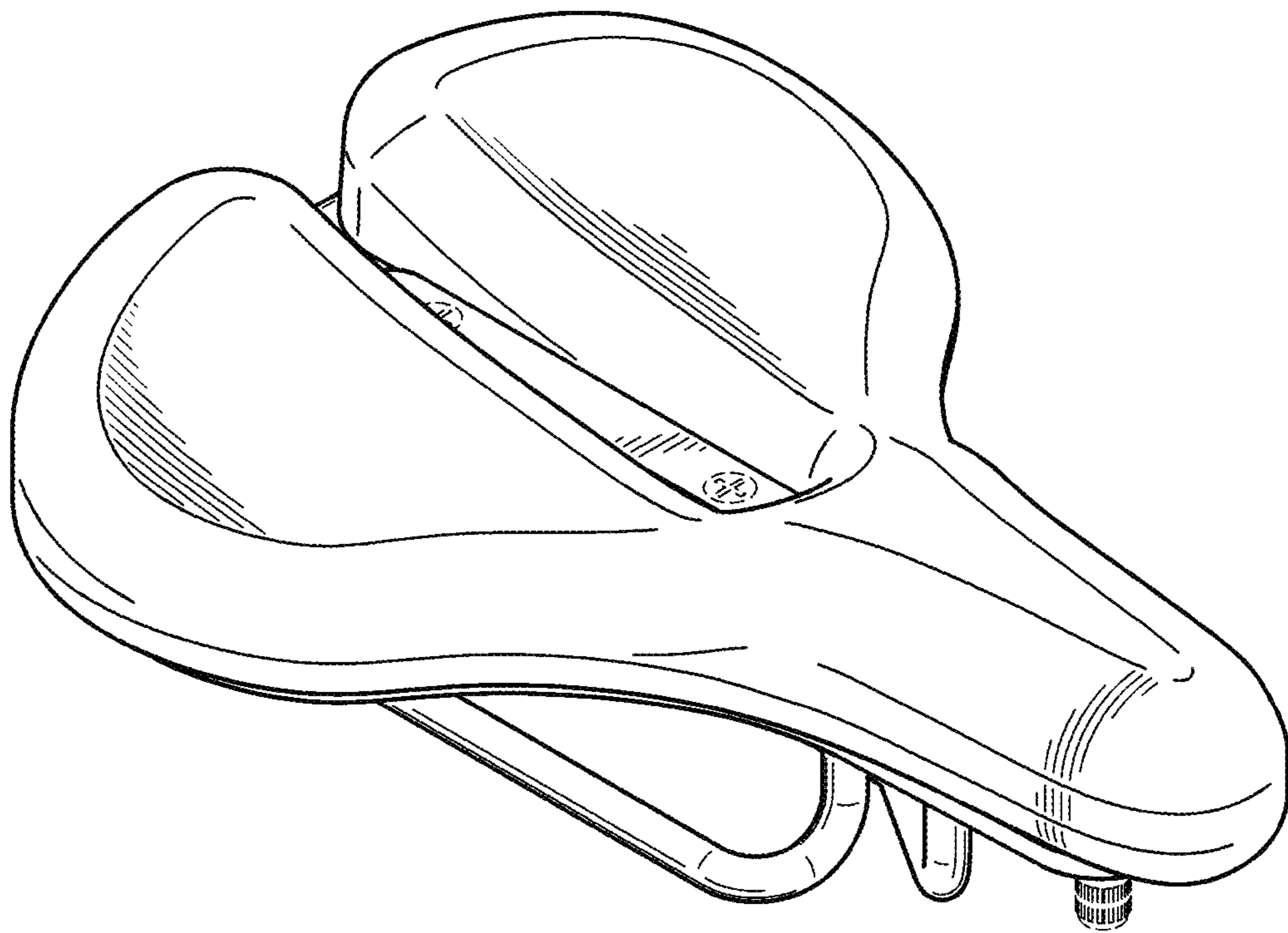


Fig. 1

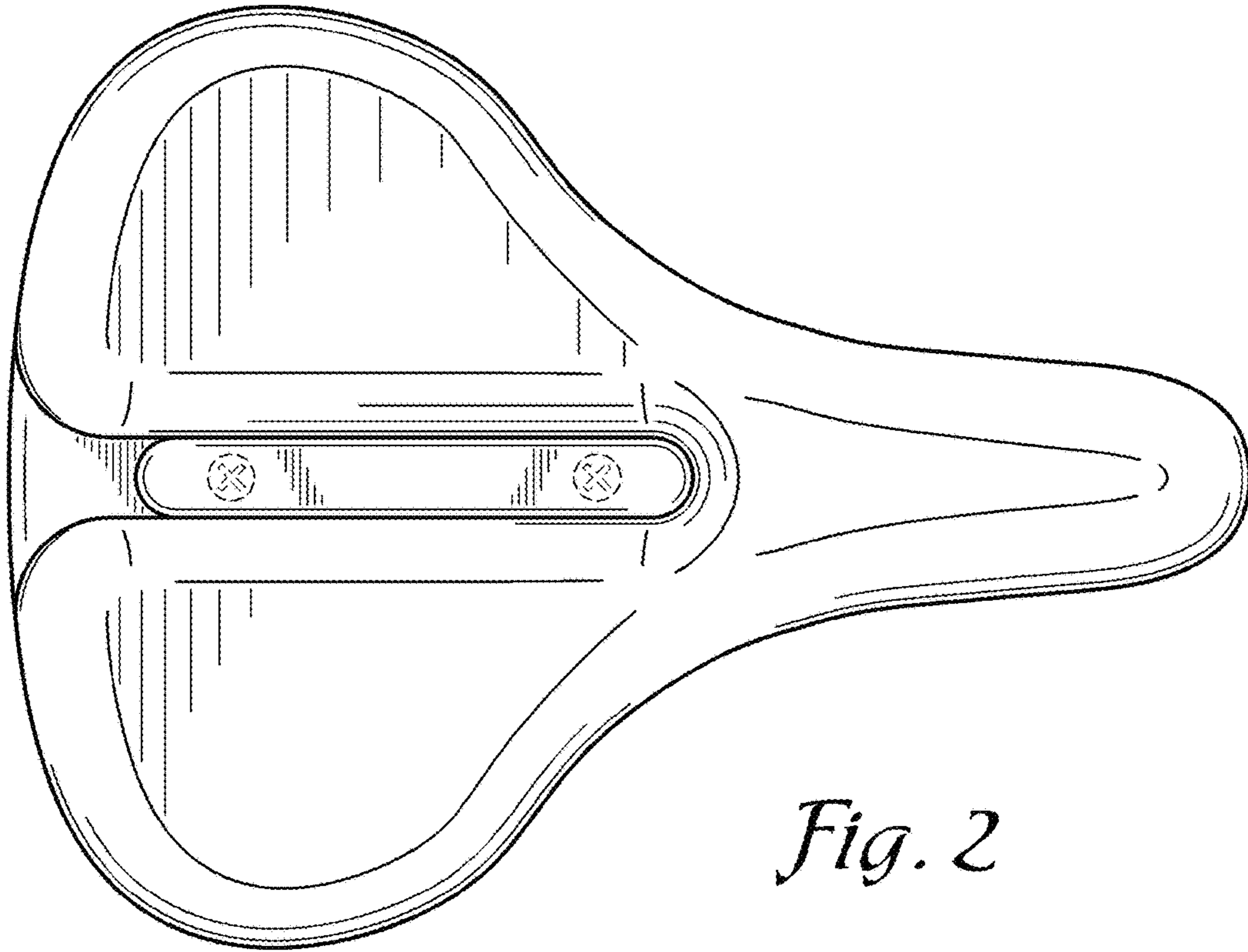


Fig. 2

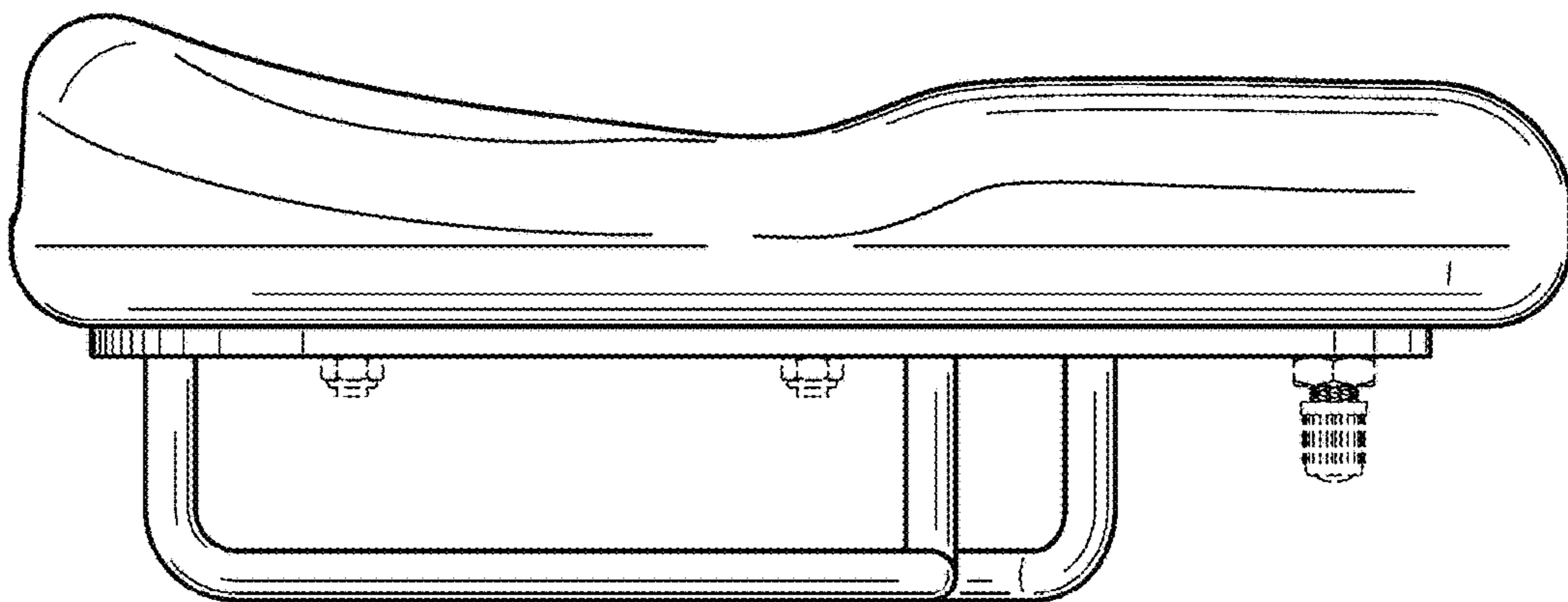


Fig. 3

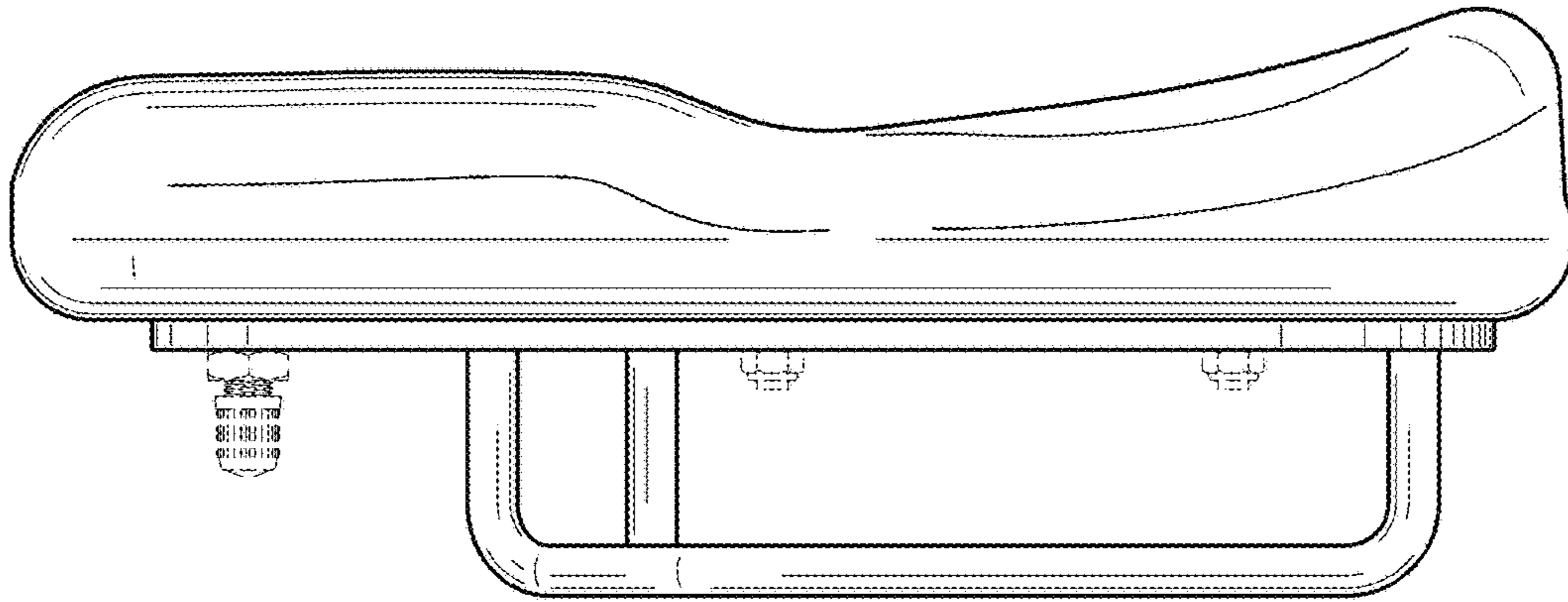


Fig. 4

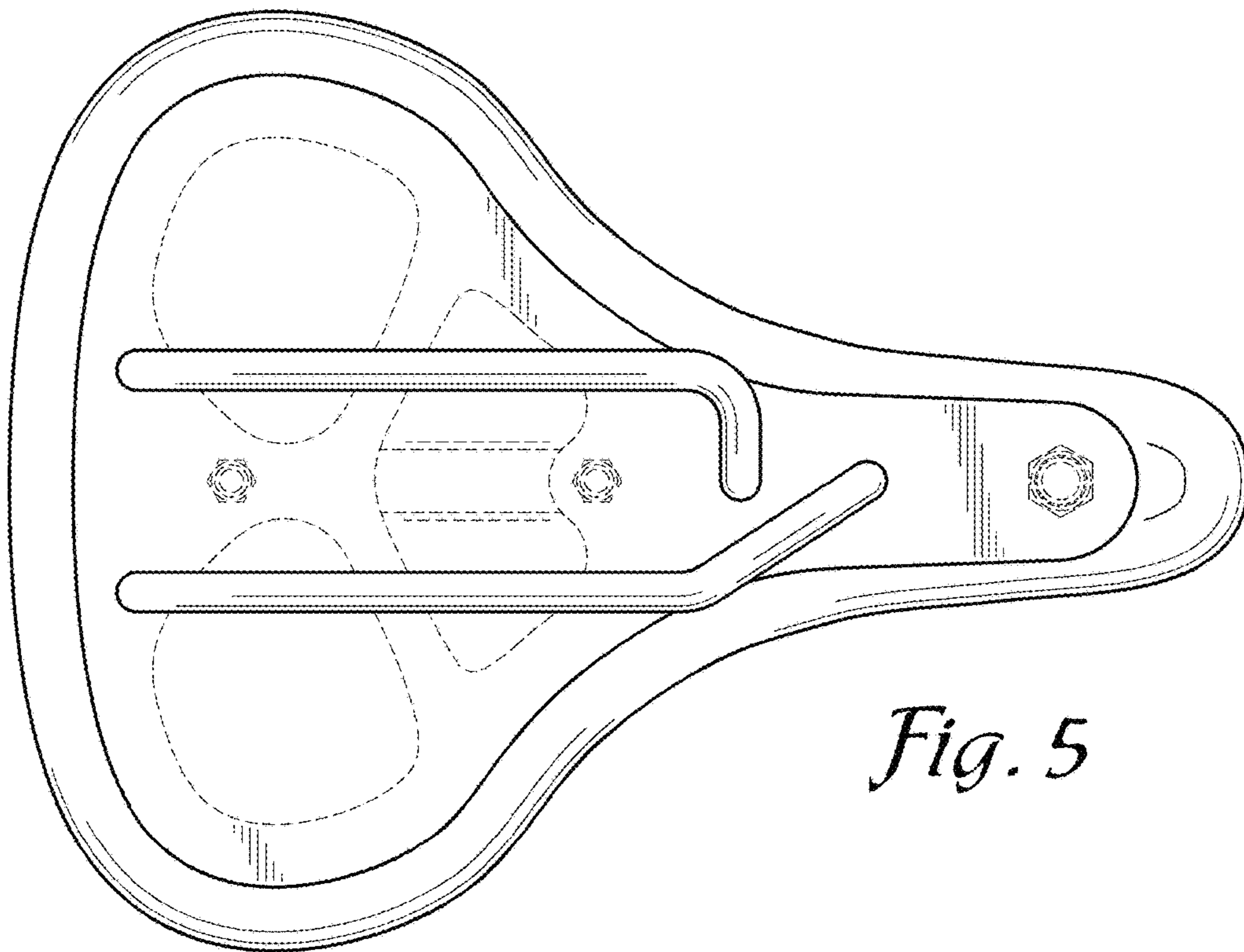


Fig. 5

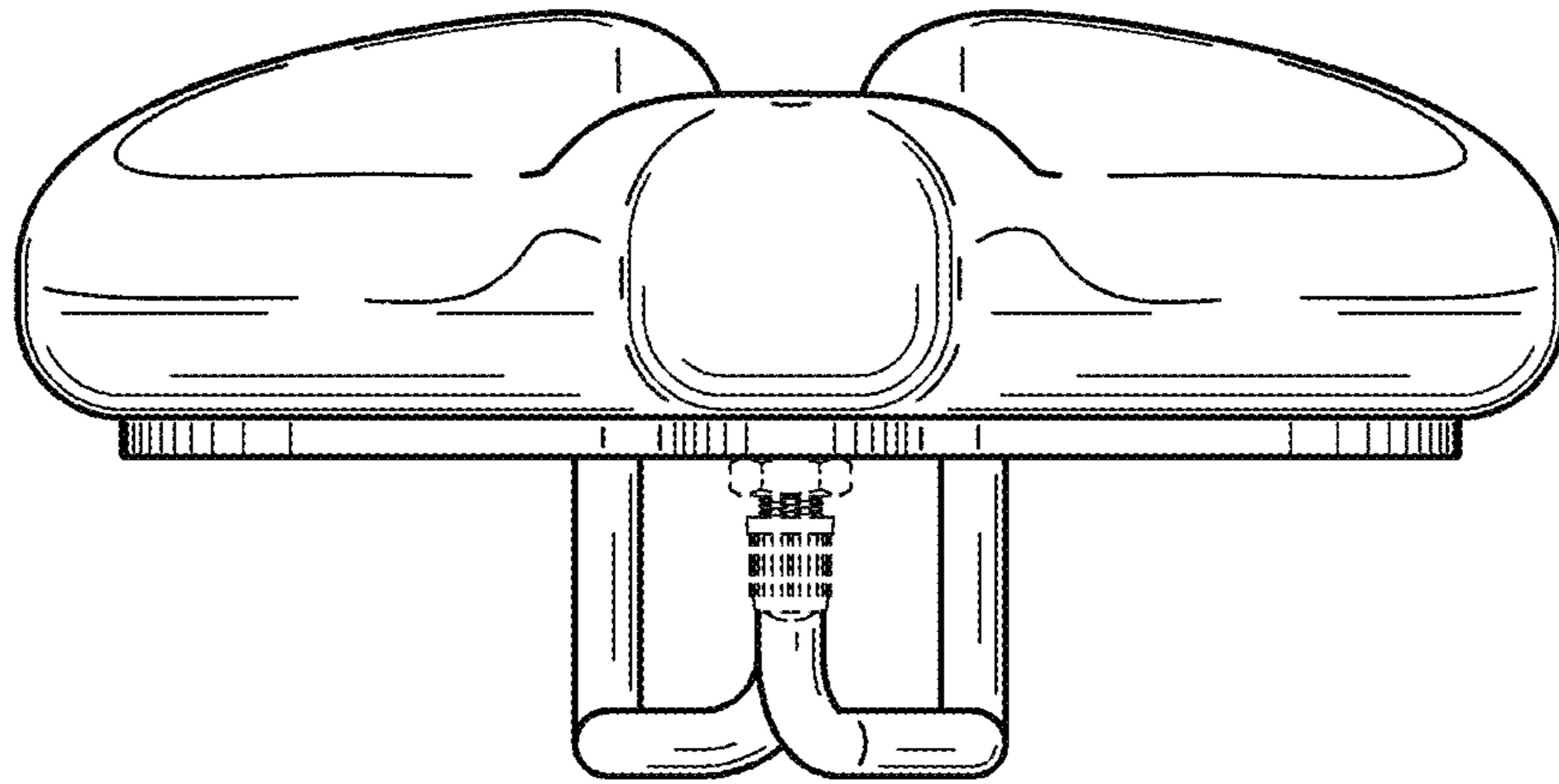


Fig. 6

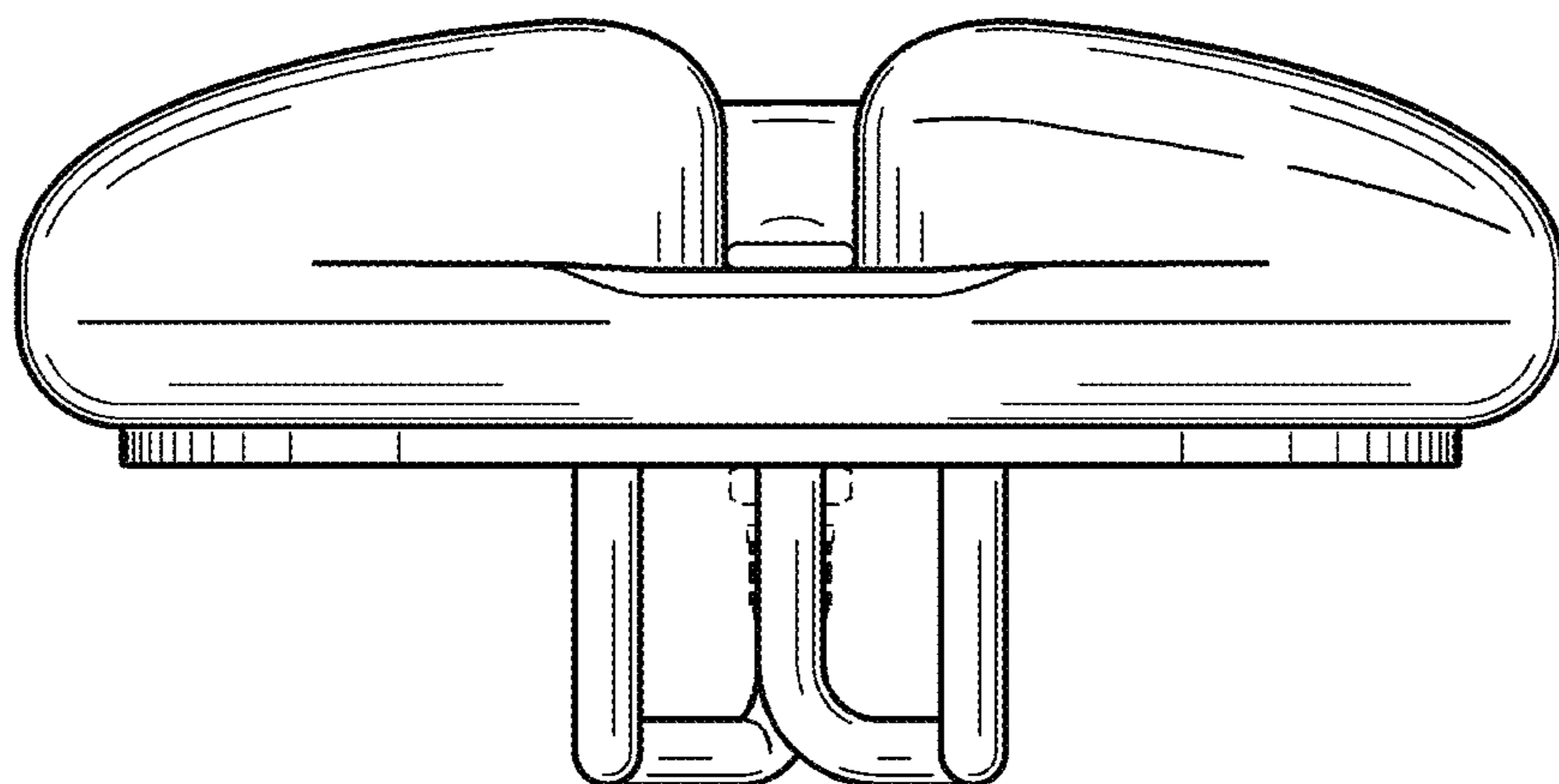


Fig. 7