



US00D778074S

(12) **United States Design Patent** (10) **Patent No.:** **US D778,074 S**  
**Clark** (45) **Date of Patent:** **\*\* Feb. 7, 2017**

(54) **KNEELING PLATFORM**

(56) **References Cited**

(71) Applicant: **Bruce A. Clark**, St. Paul, MN (US)

U.S. PATENT DOCUMENTS

(72) Inventor: **Bruce A. Clark**, St. Paul, MN (US)

D282,043 S *	1/1986	Morin .....	D6/406.6
D396,566 S *	8/1998	Albrecht .....	D6/349
D510,485 S *	10/2005	Selby .....	D6/330
D519,121 S *	4/2006	Zamanian .....	D14/447
D582,168 S *	12/2008	Sandel .....	D6/349
D616,669 S *	6/2010	McMahon-Miller .....	D6/675
D736,002 S *	8/2015	Clark .....	D6/330
D736,525 S *	8/2015	Clark .....	D6/330

(\*\*) Term: **15 Years**

(21) Appl. No.: **29/566,083**

(22) Filed: **May 26, 2016**

\* cited by examiner

**Related U.S. Application Data**

(60) Continuation-in-part of application No. 29/505,040, filed on May 7, 2015, which is a division of application No. 29/442,307, filed on Jan. 29, 2013, now Pat. No. Des. 736,002.

*Primary Examiner* — Abraham Bahta

(74) *Attorney, Agent, or Firm* — Richard John Bartz

(51) **LOC (10) Cl.** ..... **06-06**

(57) **CLAIM**

(52) **U.S. Cl.**  
USPC ..... **D6/330**

I claim the ornamental design of a kneeling platform, as shown and described.

(58) **Field of Classification Search**

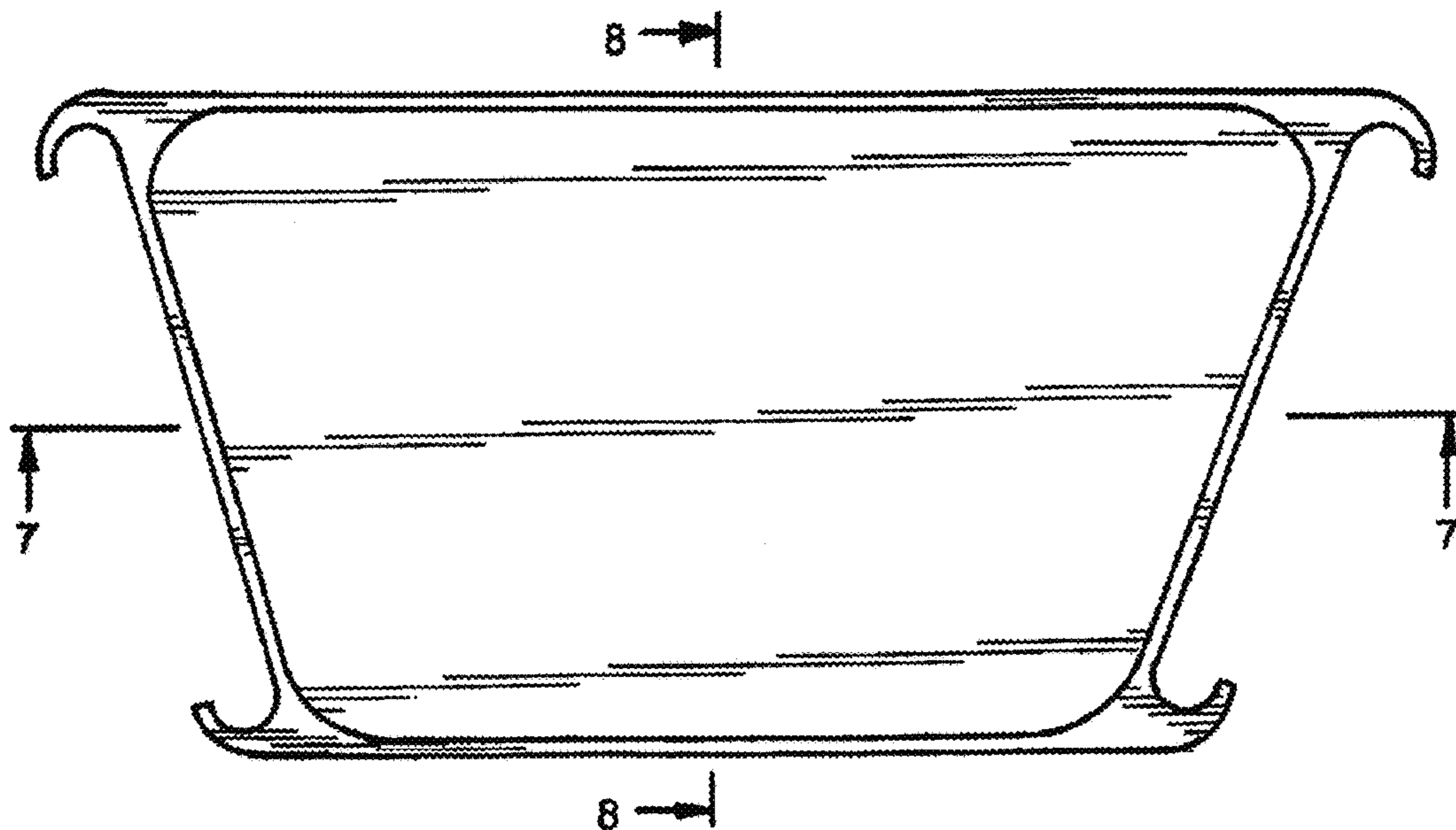
**DESCRIPTION**

USPC ..... D6/330, 335-338, 340, 349-355, 364, D6/366, 495, 376, 685, 691, 707.19, 709, D6/718.11, 344, 360, 716; 297/16.1, 39, 297/135, 158.3, 158, 175, 187, 195.1, 297/195.11, 423.1, 423.16, 445.1, 461, 297/462, 439, 70, 76, 260, 271.1, 279, 297/423.25, 423.34, 423.36; 280/32.6, 280/32.5; 482/146, 148; D25/68, 69; D8/349; 248/210; 182/112  
CPC ..... A47C 9/00; A47C 9/08; A47C 9/10; A47C 1/00; A47C 1/02; A47C 1/04; A47C 1/14; A47C 11/00

FIG. 1 is a top plan view of the kneeling platform showing my new design;  
FIG. 2 is a front elevational view thereof;  
FIG. 3 is a rear elevational view thereof;  
FIG. 4 is a left side elevational view thereof;  
FIG. 5 is a right side elevational view thereof;  
FIG. 6 is a bottom plan view thereof;  
FIG. 7 is a sectional view taken along line 7-7 of FIG. 1; and,  
FIG. 8 is a sectional view taken along line 8-8 of FIG. 1.

See application file for complete search history.

**1 Claim, 3 Drawing Sheets**



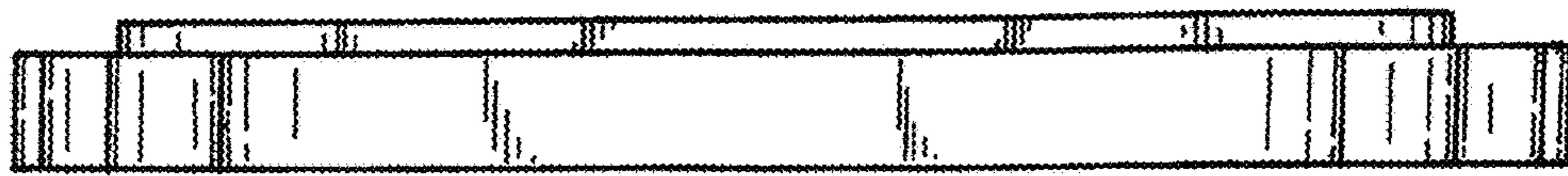
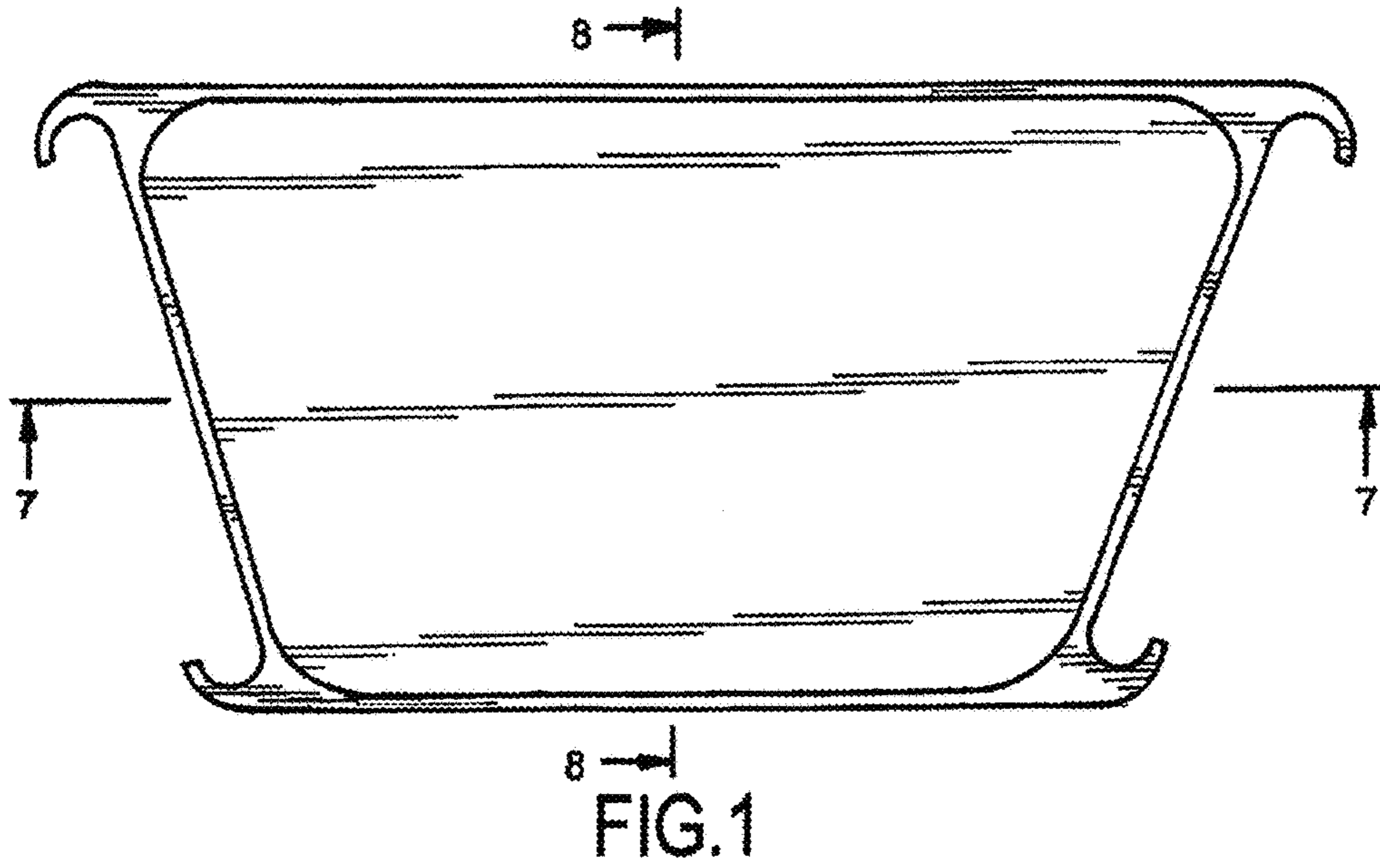


FIG. 2

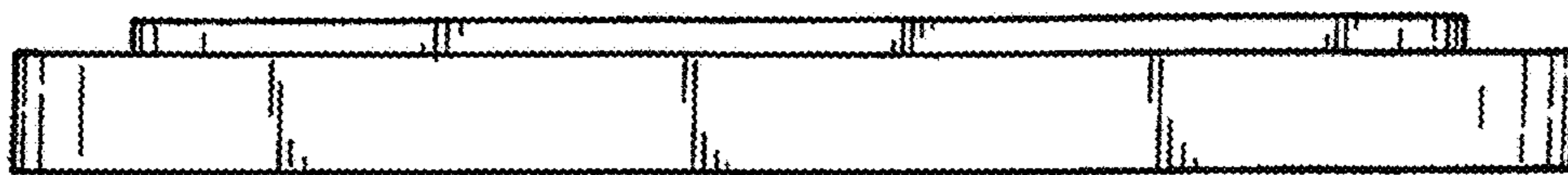


FIG. 3

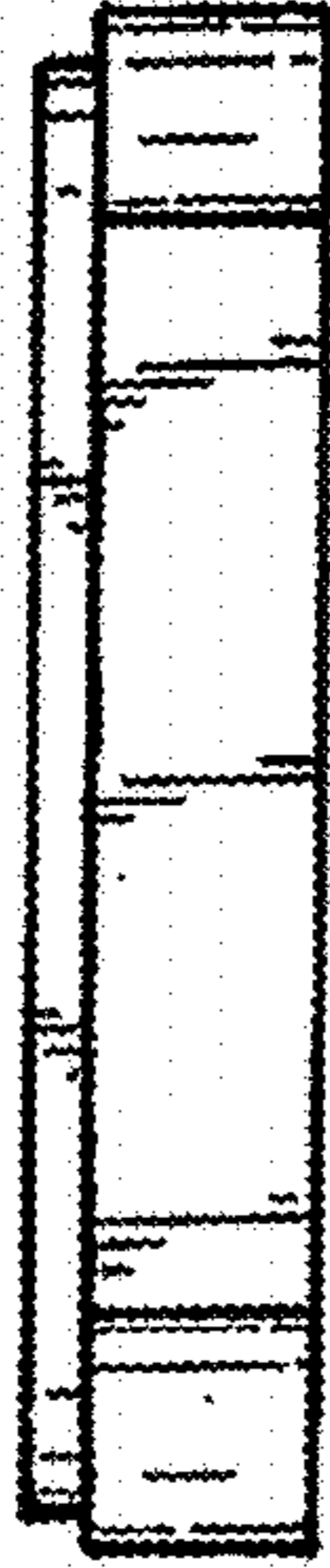


FIG. 4

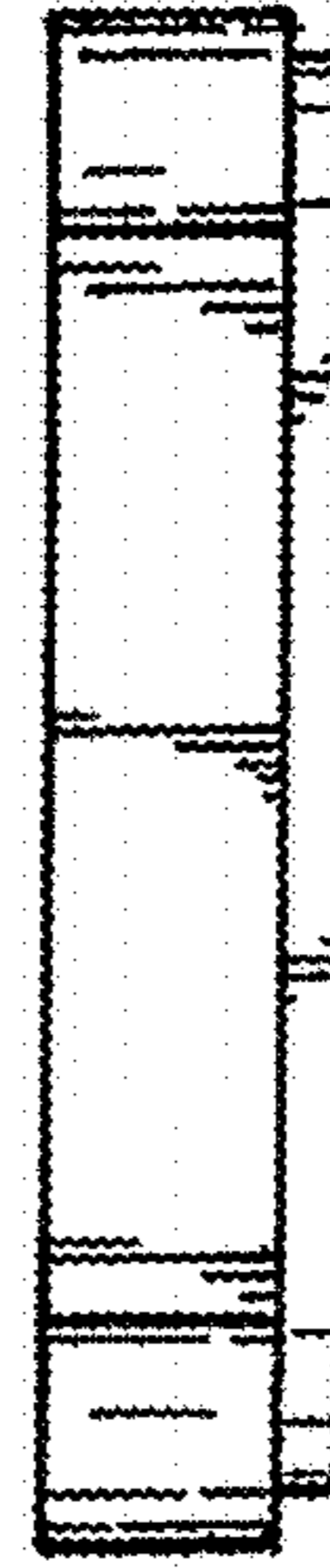


FIG. 5

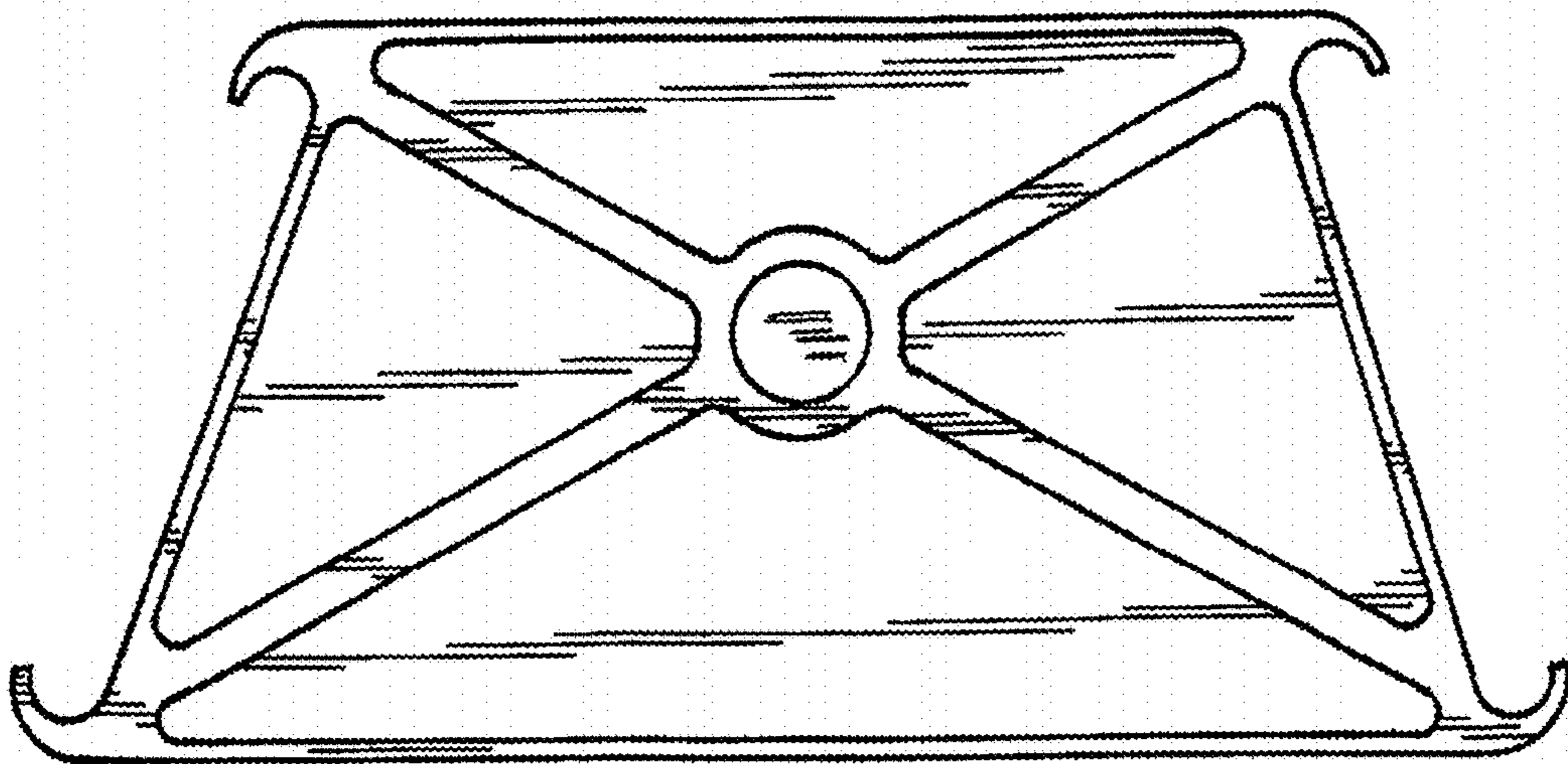


FIG. 6

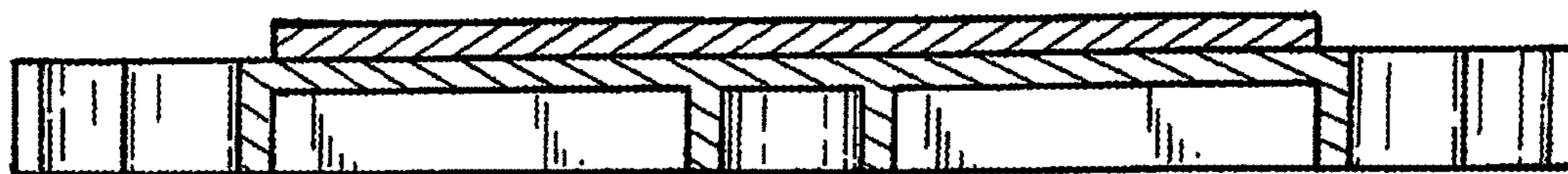


FIG. 7

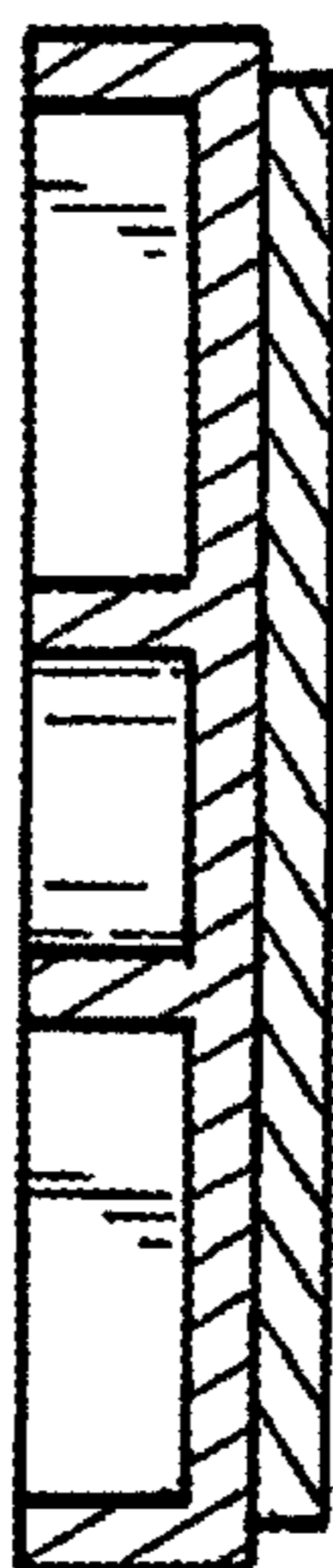


FIG. 8