



US00D778072S

(12) **United States Design Patent** (10) **Patent No.:** **US D778,072 S**
Sandgrund (45) **Date of Patent:** **** Feb. 7, 2017**

(54) **SHELF**
(71) Applicant: **David Michael Sandgrund**, New York, NY (US)
(72) Inventor: **David Michael Sandgrund**, New York, NY (US)
(**) Term: **15 Years**
(21) Appl. No.: **29/538,364**

2,937,759 A 5/1960 Smith
D242,513 S * 11/1976 Schweitzer D6/572
D257,195 S 10/1980 Swett et al.
D289,353 S 4/1987 Davis et al.
(Continued)

FOREIGN PATENT DOCUMENTS

EM 02449587-0001 4/2014
FR 616 335 A 1/1927
FR 2 182 318 A5 12/1973

OTHER PUBLICATIONS

(22) Filed: **Sep. 3, 2015**
(51) **LOC (10) Cl.** **06-08**
(52) **U.S. Cl.**
USPC **D6/327; D6/705.1**
(58) **Field of Classification Search**
USPC D6/315-328, 553, 567, 569, 570, 572, D6/574, 702, 703.1, 705, 705.1, 705.2, D6/705.5, 706, 707, 707.2; 223/85-98; 211/10, 13.1, 16, 45, 48, 49.1, 71.01, 211/85.11, 85.3, 87.01, 90.02, 94.01, 211/94.02, 94.03, 117; 108/28, 59, 64, 91, 108/106, 107, 144.11, 147.11, 108/147.17; D8/380, 381; D11/14, 17
CPC A47G 25/28; A47G 25/746; A47G 25/26; A47G 25/0664; A47F 7/163; A47F 5/0846; A47F 5/0892; A47F 5/0006; A47F 5/0018; A47F 7/19; A47F 7/24; A47F 5/0093; A47F 7/281; A47F 5/0043; A47F 1/04; A47F 7/0007; A47F 5/06; A47B 81/00; A47B 57/42; A47B 96/027; A47B 87/02; A47B 81/007; A47B 57/30; A47B 96/02; A47B 47/021
See application file for complete search history.

International Searching Authority (PCT), International Search Report, Sep. 19, 2014.

(Continued)

Primary Examiner — Derrick Holland
Assistant Examiner — Lauren Calve
(74) *Attorney, Agent, or Firm* — Ladas & Parry LLP

(57) **CLAIM**

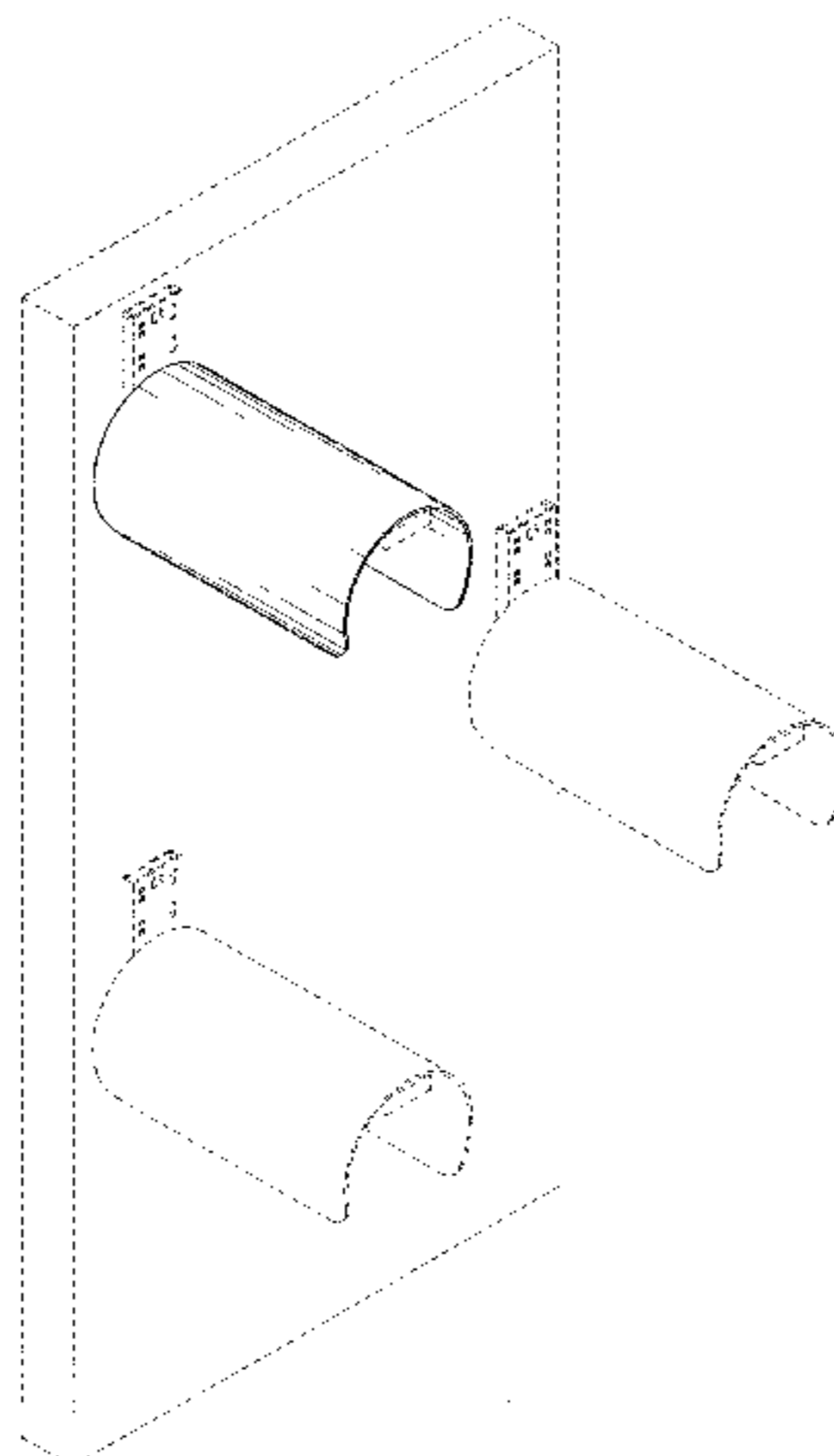
I claim the ornamental design for a shelf, as shown and described.

DESCRIPTION

FIG. 1 is a perspective view showing my new design for a shelf.
FIG. 2 is a front view thereof.
FIG. 3 is a rear view thereof.
FIG. 4 is a right side view thereof.
FIG. 5 is a left side view thereof.
FIG. 6 is a top view thereof
FIG. 7 is a bottom view thereof
FIG. 8 is a bottom view thereof taken along the line 8-8 shown in FIG. 4.
FIG. 9 is a second perspective view thereof, shown in an alternative configuration.
FIG. 10 is a third perspective view thereof, shown in environmental use; and,
FIG. 11 is another perspective view of the alternative configuration of FIG. 8 shown in environmental use.

(Continued)

(56) **References Cited**
U.S. PATENT DOCUMENTS
378,201 A 2/1888 Jacoby
1,446,036 A 2/1923 William
1,554,137 A 9/1925 Slifkin
D157,460 S 2/1950 Ziolkowski et al.



The broken lines shown represent unclaimed subject matter and form no part of the claimed design.

1 Claim, 10 Drawing Sheets

(56)

References Cited

U.S. PATENT DOCUMENTS

D301,407	S	6/1989	Boeri	
D313,712	S *	1/1991	Rupprechter	D6/706
5,050,744	A	9/1991	Floyd	
5,316,153	A *	5/1994	Crawford	G09F 5/04 206/566
D371,870	S	7/1996	Sylvester	
5,865,325	A	2/1999	Comstock	
5,947,159	A *	9/1999	Takahashi	F16L 5/04 138/128
D423,840	S *	5/2000	Carville	D6/705.1
6,189,706	B1	2/2001	Akins	
6,591,996	B1	7/2003	Wu	
D503,046	S	3/2005	Caiazza	
6,955,270	B2	10/2005	Lay et al.	
D587,022	S	2/2009	Goodman et al.	
8,141,720	B2	3/2012	Kellogg et al.	
D740,038	S *	10/2015	Sandgrund	D6/327
D765,997	S *	9/2016	Sandgrund	D6/327
2002/0134742	A1	9/2002	Huang	
2002/0158172	A1 *	10/2002	Holdren	B43L 15/00 248/118.5

2003/0159605	A1 *	8/2003	DeMoore	B41F 13/08 101/416.1
2006/0060549	A1 *	3/2006	Robertson	A47F 7/283 211/75
2007/0228242	A1 *	10/2007	Martin	A47B 73/004 248/317
2007/0241072	A1	10/2007	Bryant et al.	
2008/0121146	A1	5/2008	Burns et al.	
2009/0194495	A1	8/2009	Kellogg et al.	
2012/0151739	A1 *	6/2012	Marchio	F16P 1/02 29/428
2012/0262349	A1 *	10/2012	Kosnik	H01Q 1/02 343/704
2013/0026121	A1 *	1/2013	Thompson	A47J 47/16 211/85.18
2013/0048798	A1 *	2/2013	Bock	F16L 3/1091 248/67.5
2014/0117175	A1 *	5/2014	Wang	F16M 11/041 248/176.3
2014/0284291	A1	9/2014	Sandgrund	
2016/0176596	A1 *	6/2016	Kuipers	B65D 57/00 211/85.3
2016/0293149	A1 *	10/2016	Mael	G10D 1/08

OTHER PUBLICATIONS

International Searching Authority (PCT), Written Opinion of the International Searching Authority, Sep. 19, 2014.

* cited by examiner

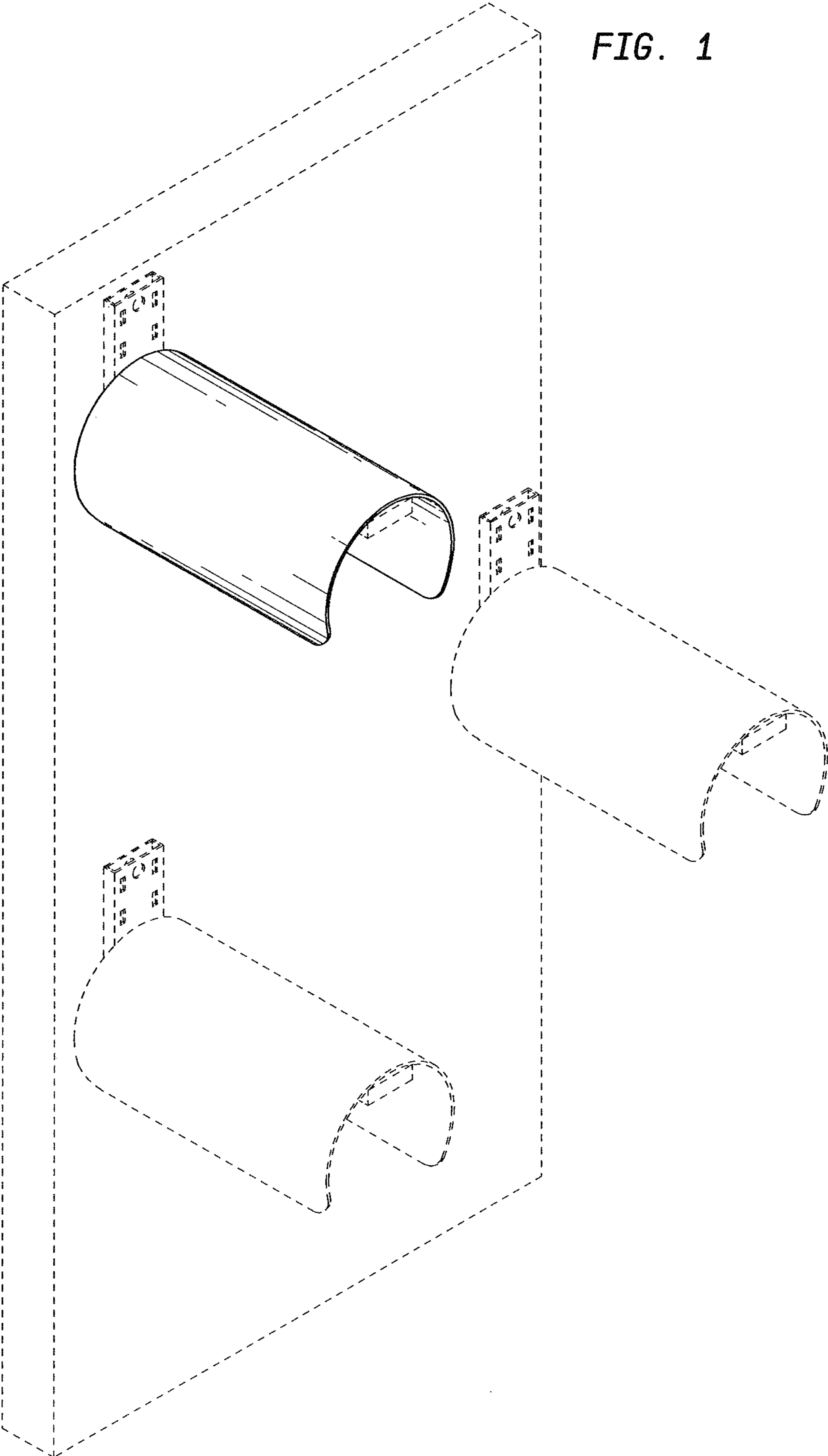


FIG. 1

FIG. 2

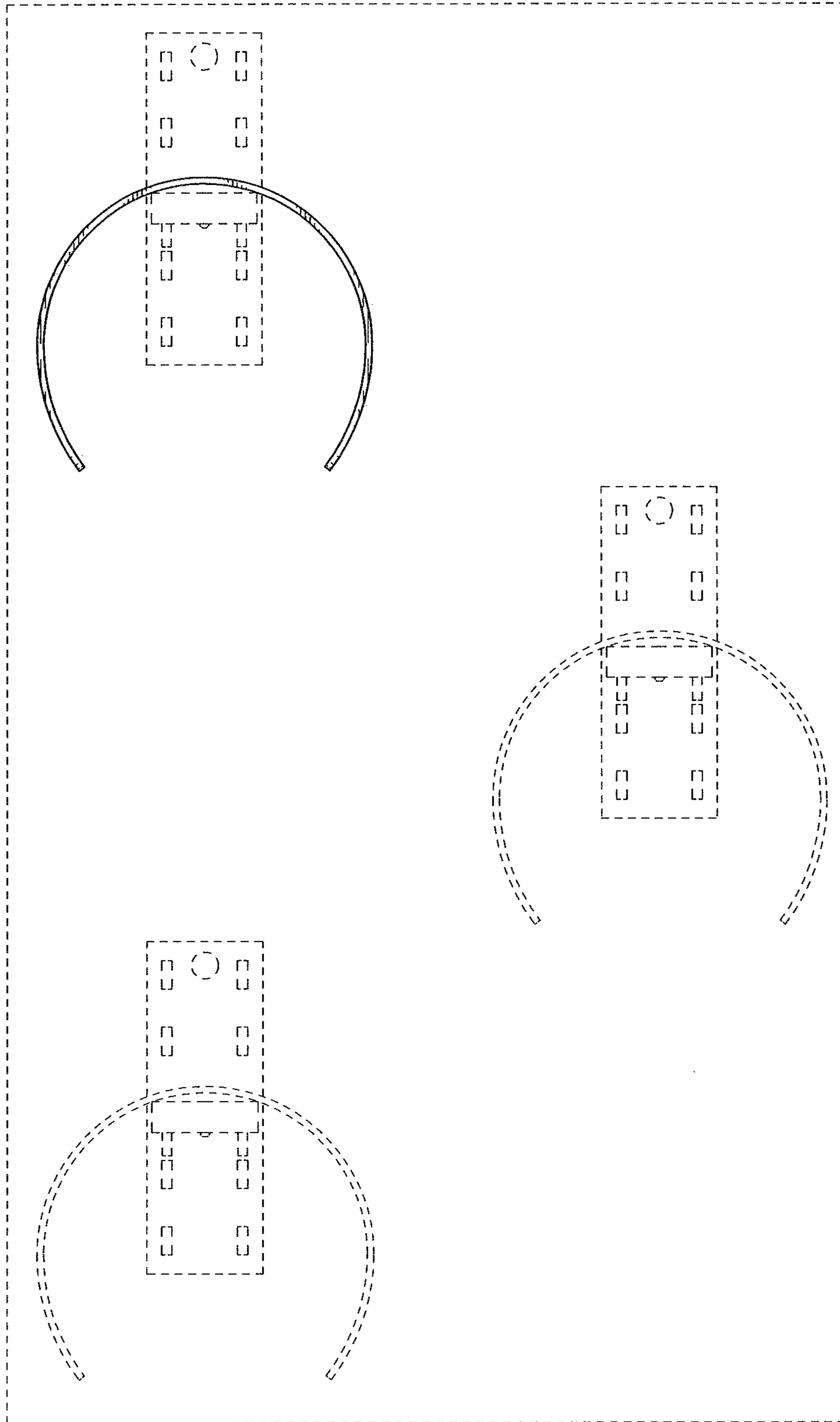


FIG. 3

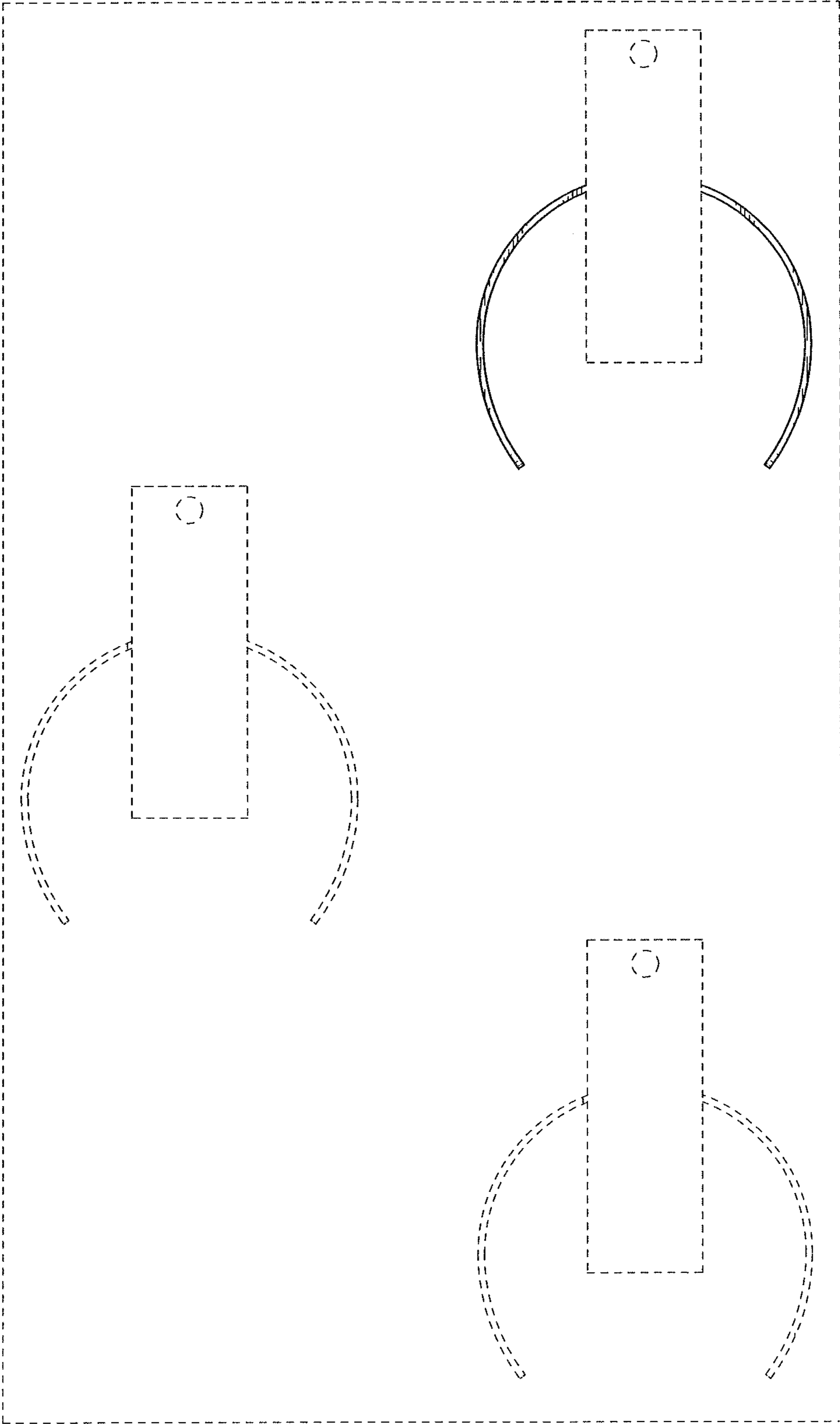


FIG. 4

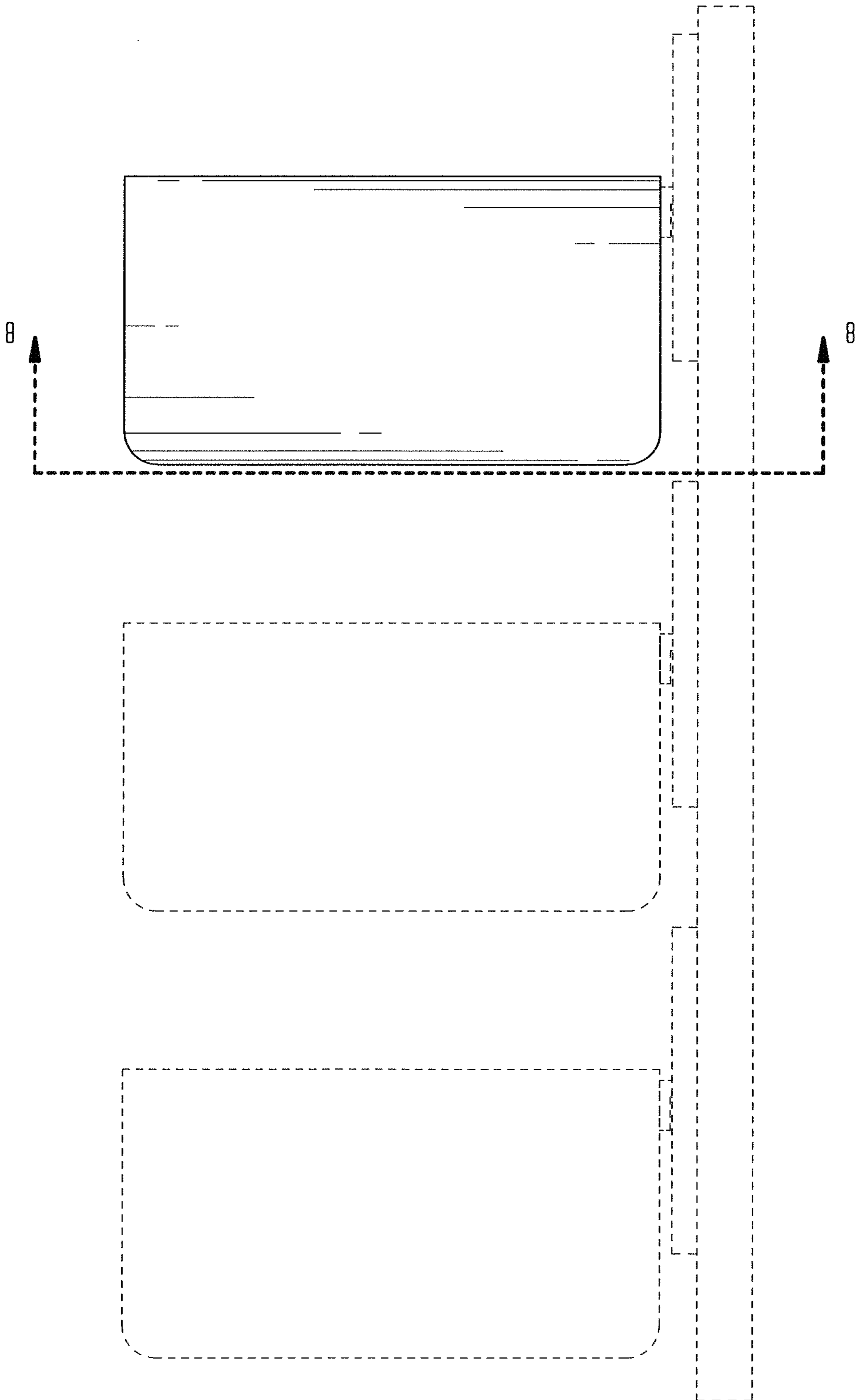


FIG. 5

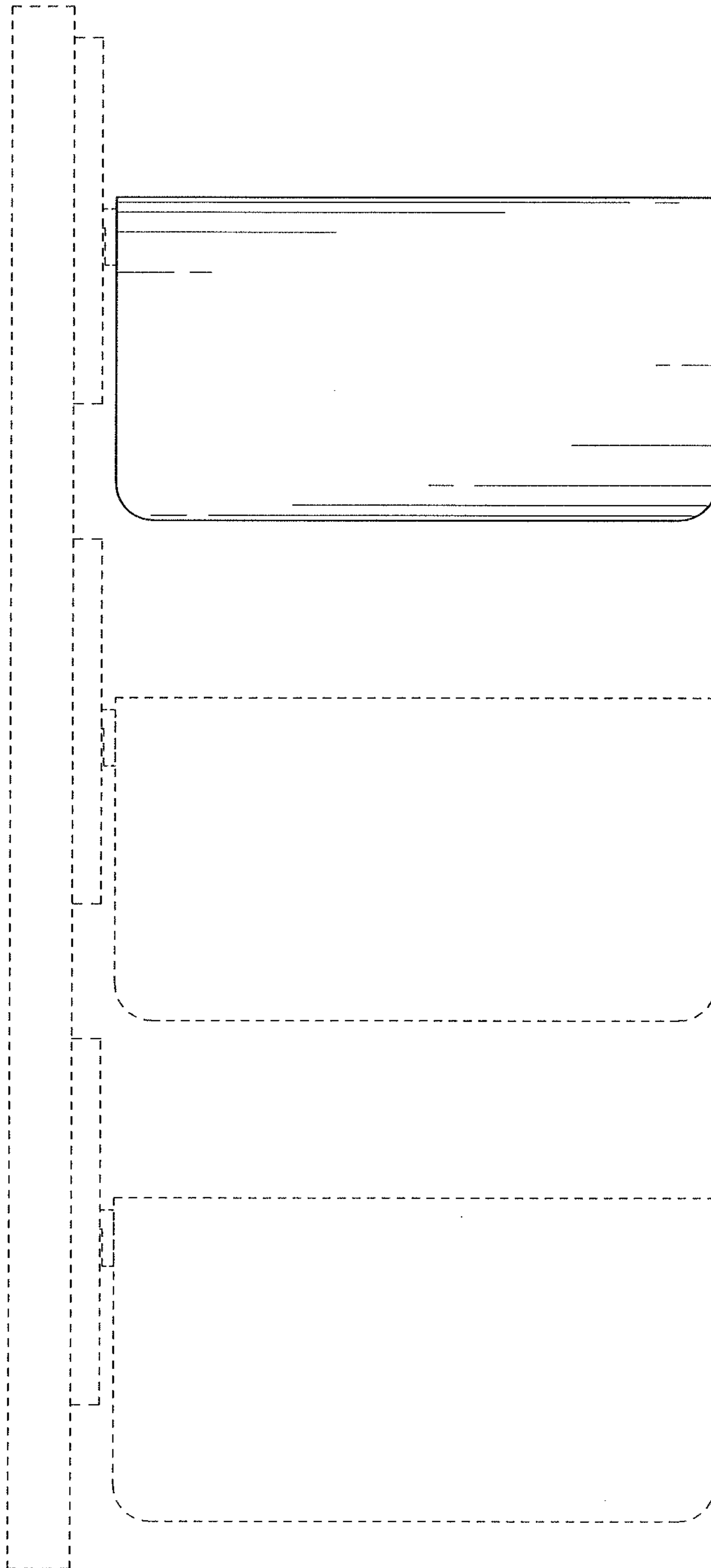


FIG. 6

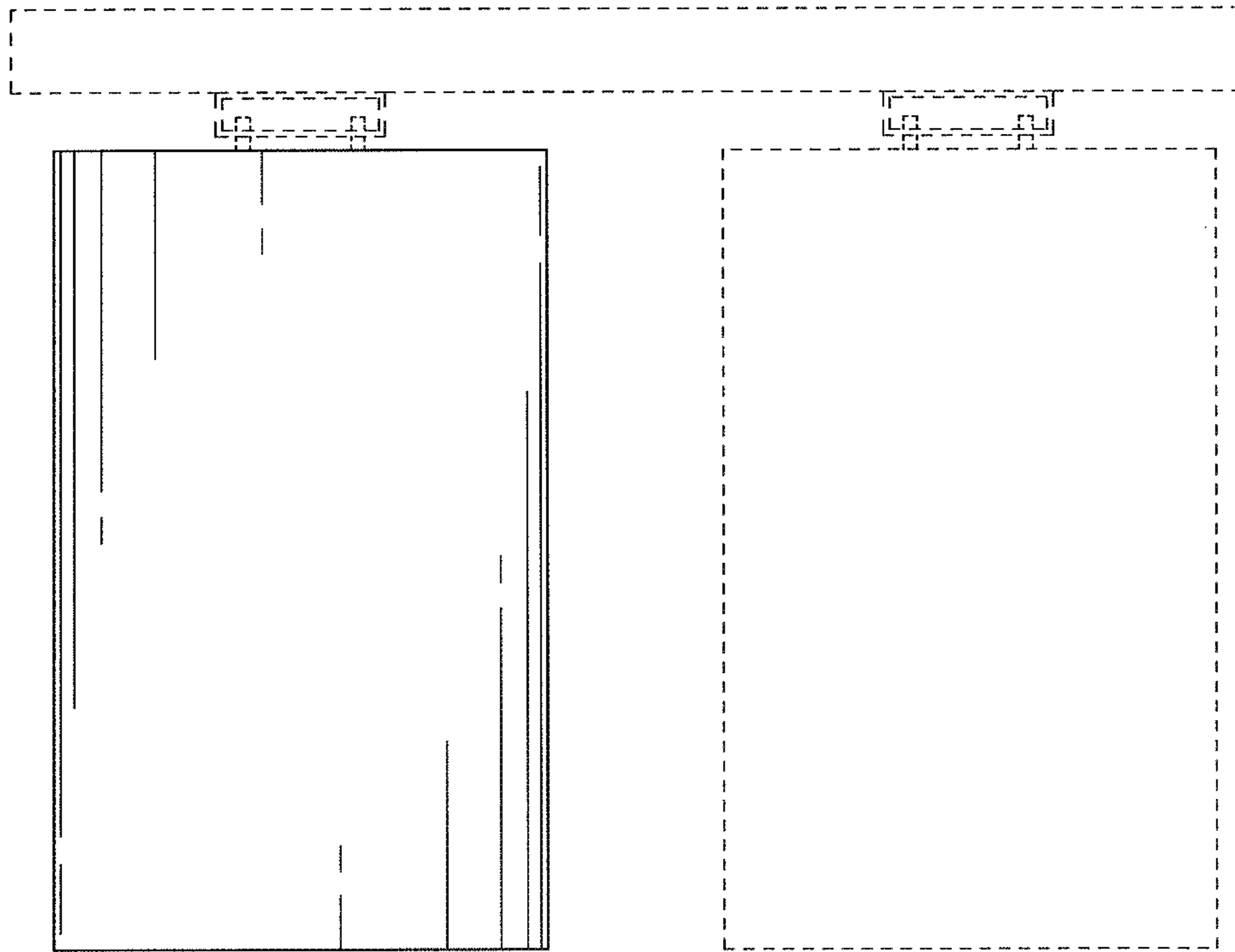


FIG. 7

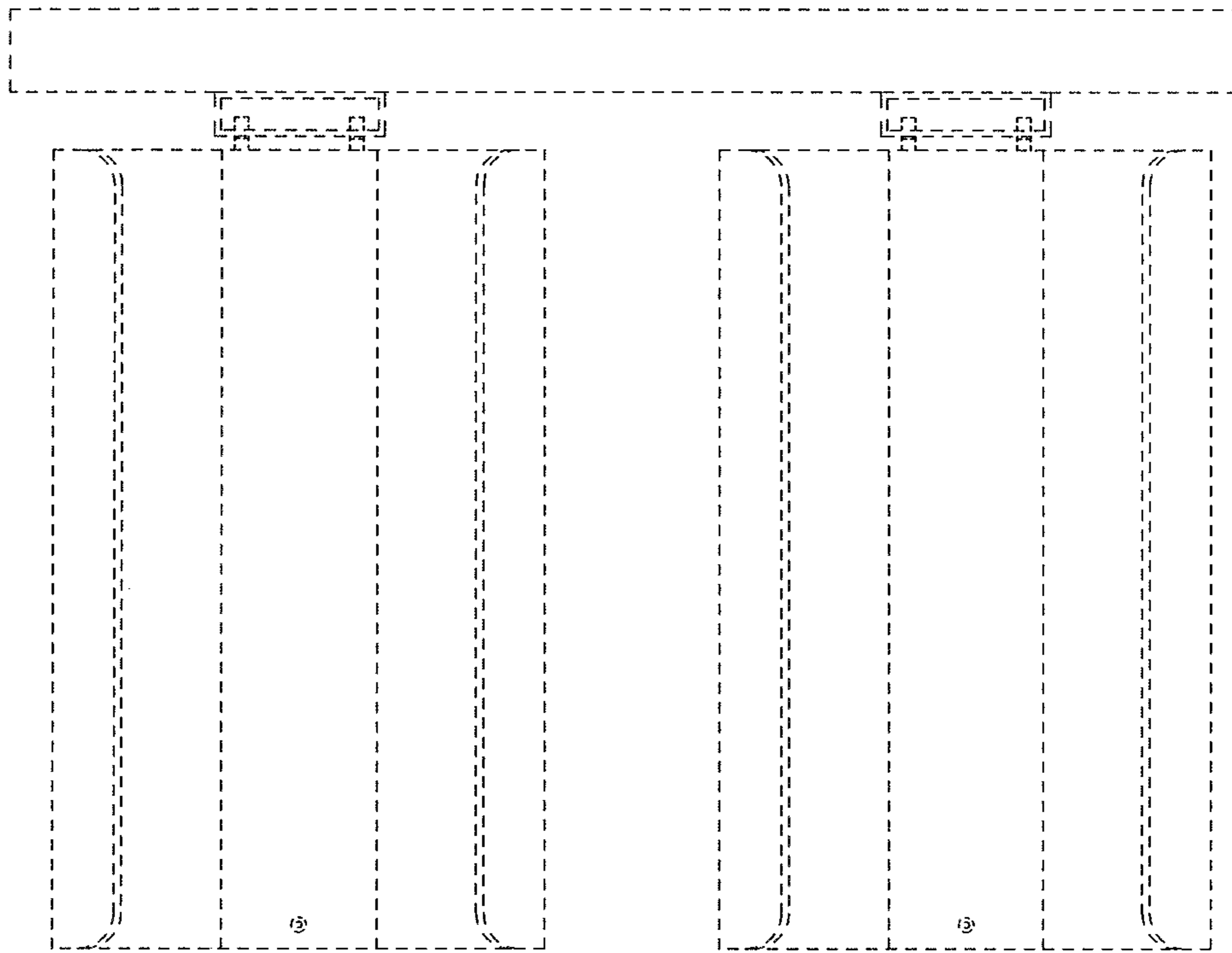


FIG. 8

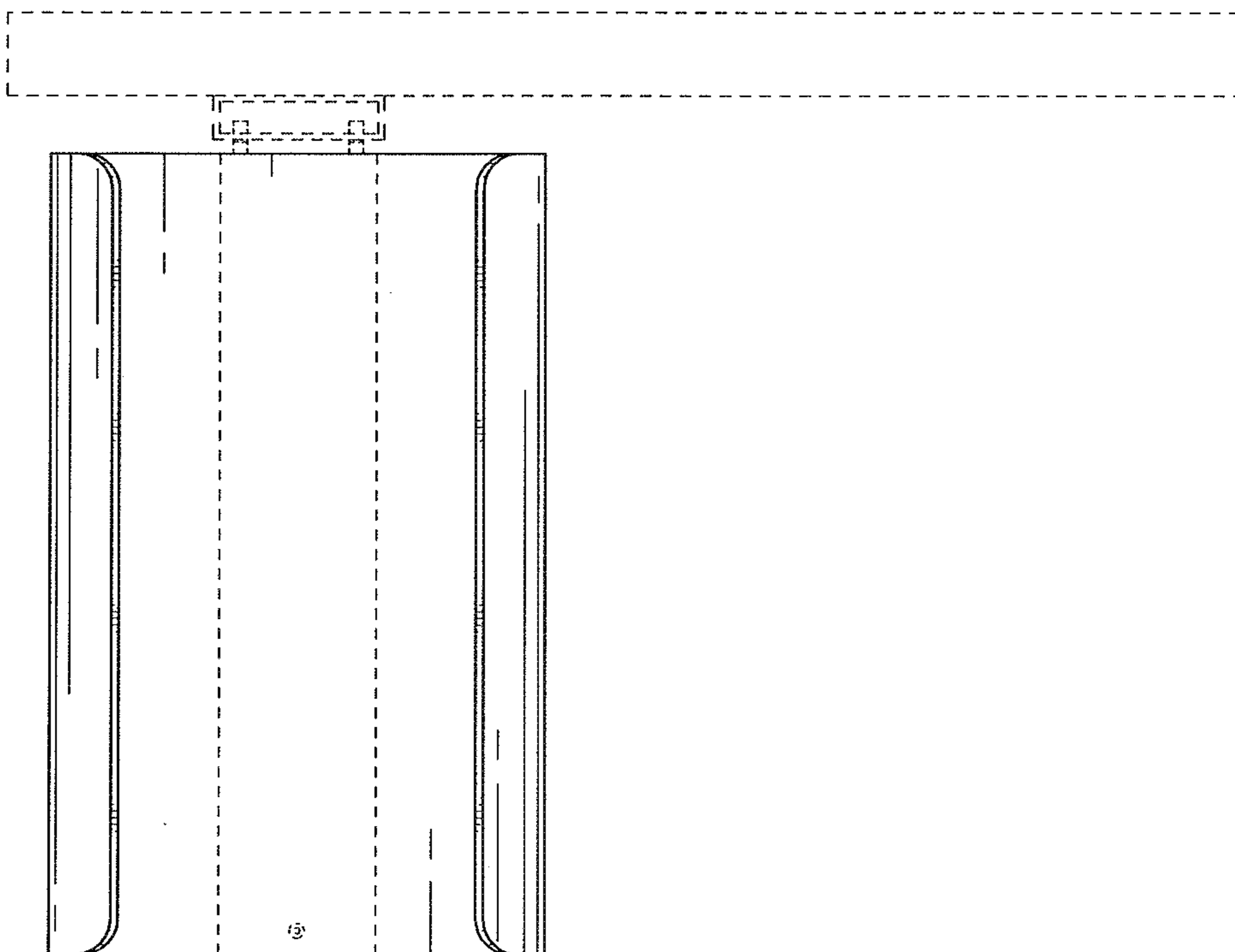


FIG. 9

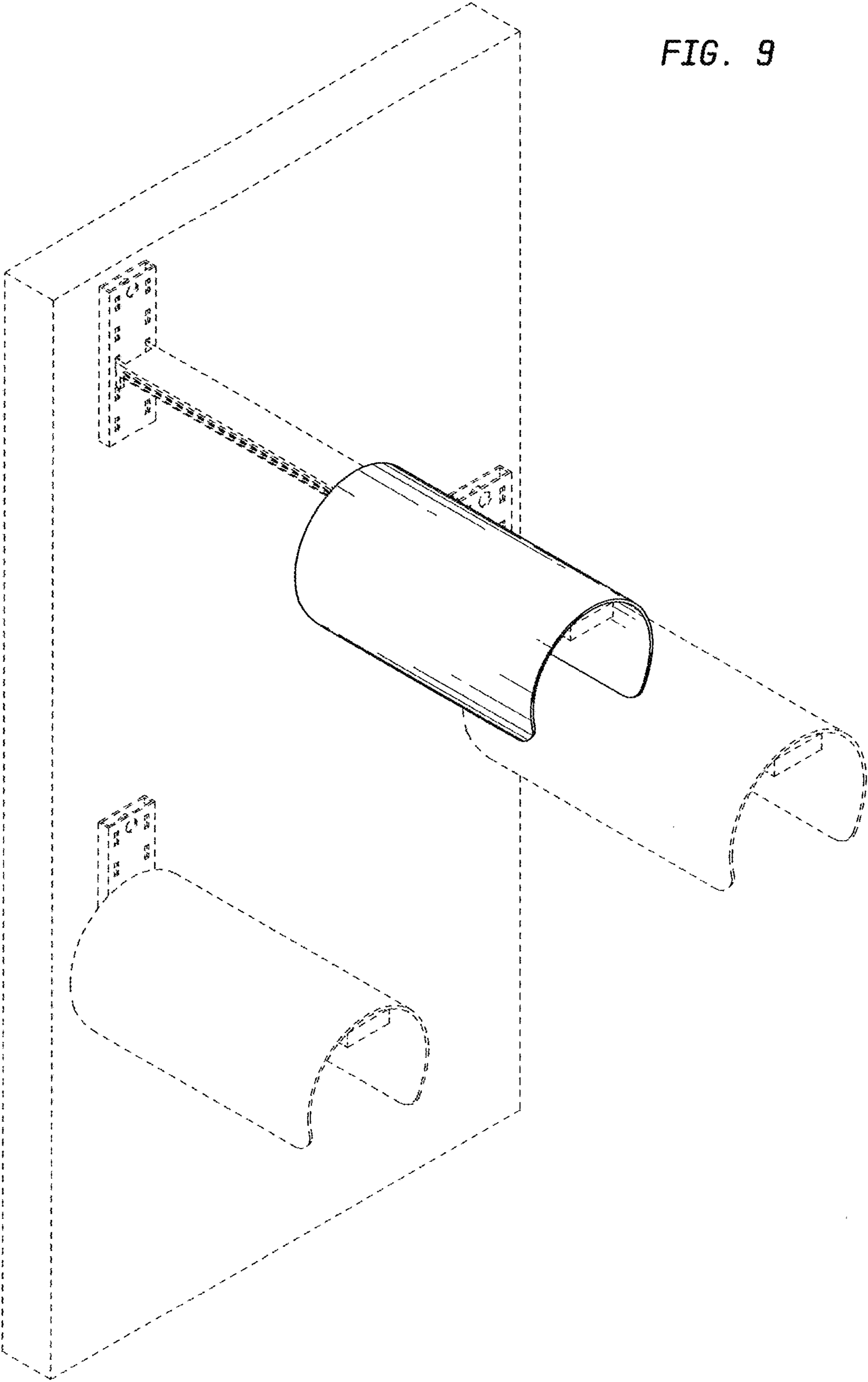
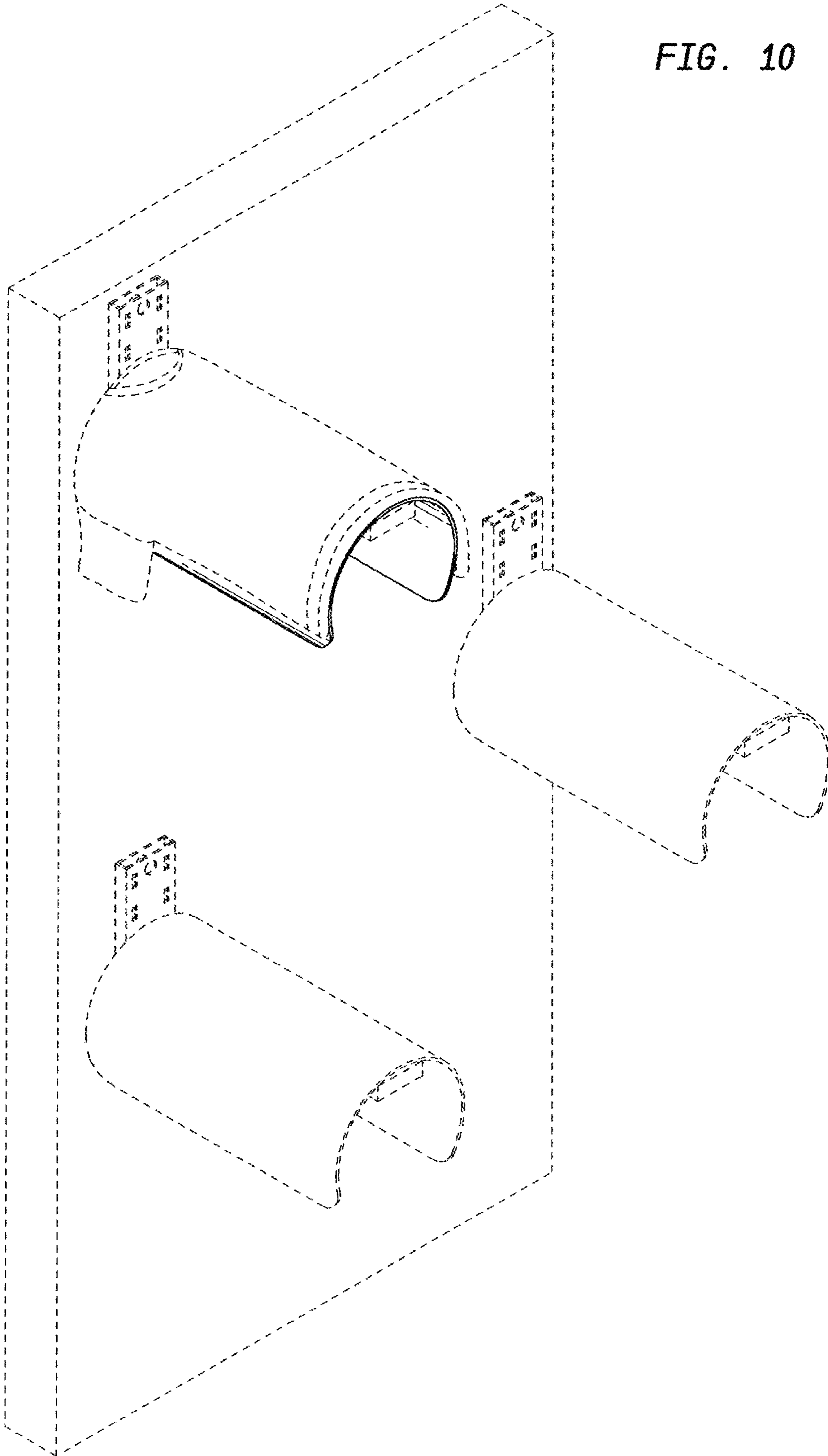


FIG. 10



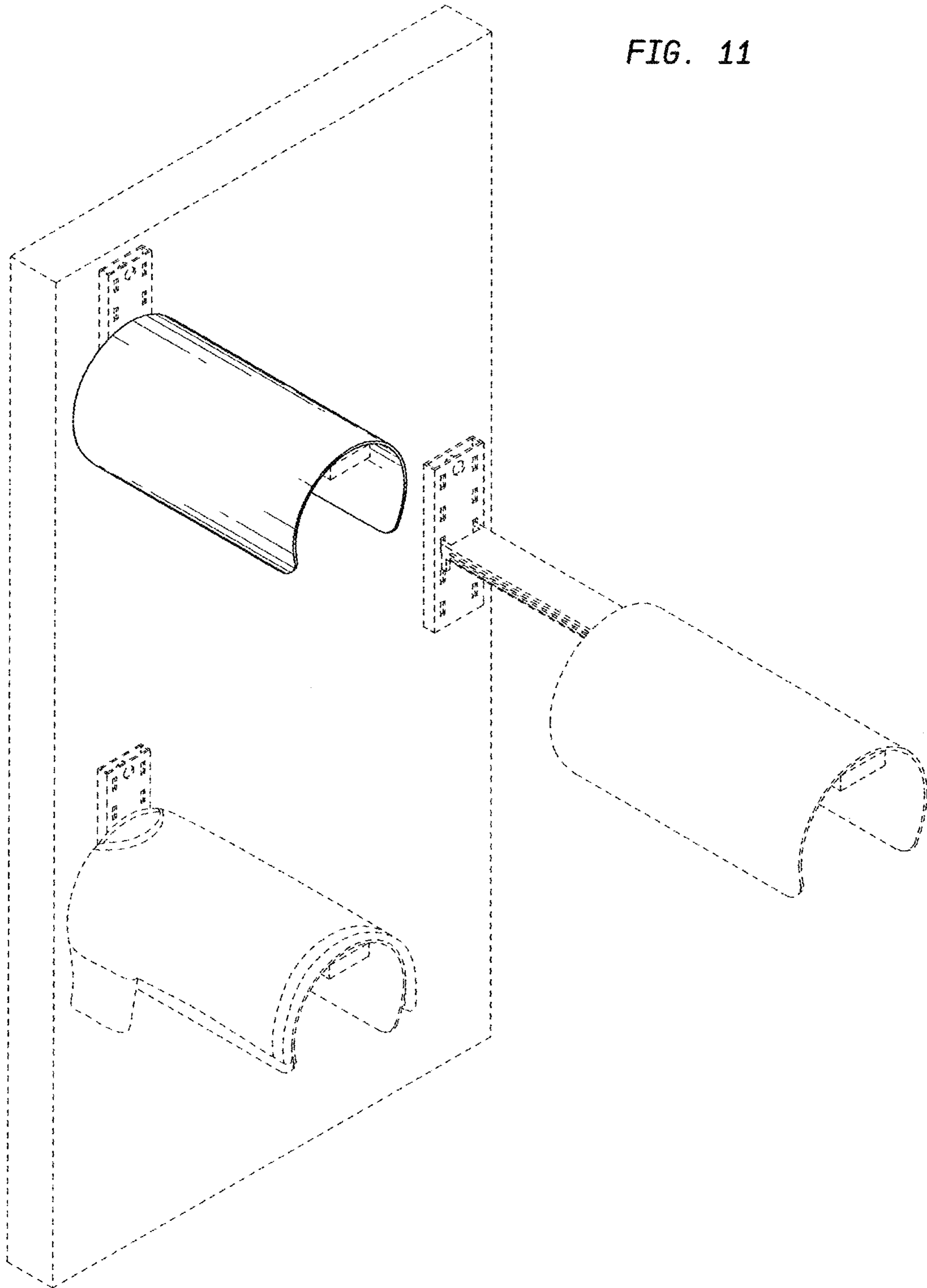


FIG. 11