



US00D778069S

(12) **United States Design Patent** (10) **Patent No.:** **US D778,069 S**
Lim (45) **Date of Patent:** **** Feb. 7, 2017**

(54) **DUAL ENDED KABUKI BRUSH**

(71) Applicant: **HCT Group Holdings Limited**, Santa Monica, CA (US)

(72) Inventor: **Cindy Sean Yuei Lim**, Santa Monica, CA (US)

(73) Assignee: **HCT GROUP HOLDINGS LIMITED**, Santa Monica, CA (US)

(**) Term: **14 Years**

(21) Appl. No.: **29/520,810**

(22) Filed: **Mar. 18, 2015**

(51) **LOC (10) Cl.** **04-02**

(52) **U.S. Cl.**
USPC **D4/138**

(58) **Field of Classification Search**

USPC .. D4/100, 102, 127-135, 138, 199; D7/393, D7/631, 633; D8/47, 75, 82, 83, 107, D8/300, 307-313; D9/723-729; D19/100, D19/108, 115, 125; D24/200, 211, 214
CPC A46B 5/00; A46B 5/02; A46B 5/021; A46B 9/00; A46B 9/02; A46B 9/021; A46B 9/023; A46B 9/025; A46B 9/026; A46B 9/028; A46B 11/00; A46B 11/0006; A46B 11/001; A46B 13/00; A46B 13/001; A46B

(Continued)

(56) **References Cited**

U.S. PATENT DOCUMENTS

544,452 A 8/1895 Young et al.
D27,690 S 9/1897 Waite

(Continued)

FOREIGN PATENT DOCUMENTS

CN 1196212 A 10/1998
CN 201192160 Y 2/2009

(Continued)

OTHER PUBLICATIONS

Gold Brass Flat D Semicircle Napkin Rings, as posted at Seasonal's Table Accessories[online], posting date not available [site visited Jun. 7, 2016]. Available from the Internet, <URL: http://www.aliexpress.com/store/product/Free-Shipping-12pcs-lot-Gold-Brass-Flat-D-Semicircle-Napkin-Rings-for-Wedding-Dinner-Room-Table/1302004_1918289128.html>.*

(Continued)

Primary Examiner — Catheri Oliver-Garcia

Assistant Examiner — Rebekah A Caruso

(74) *Attorney, Agent, or Firm* — Seager, Tufte & Wickhem LLP

(57) **CLAIM**

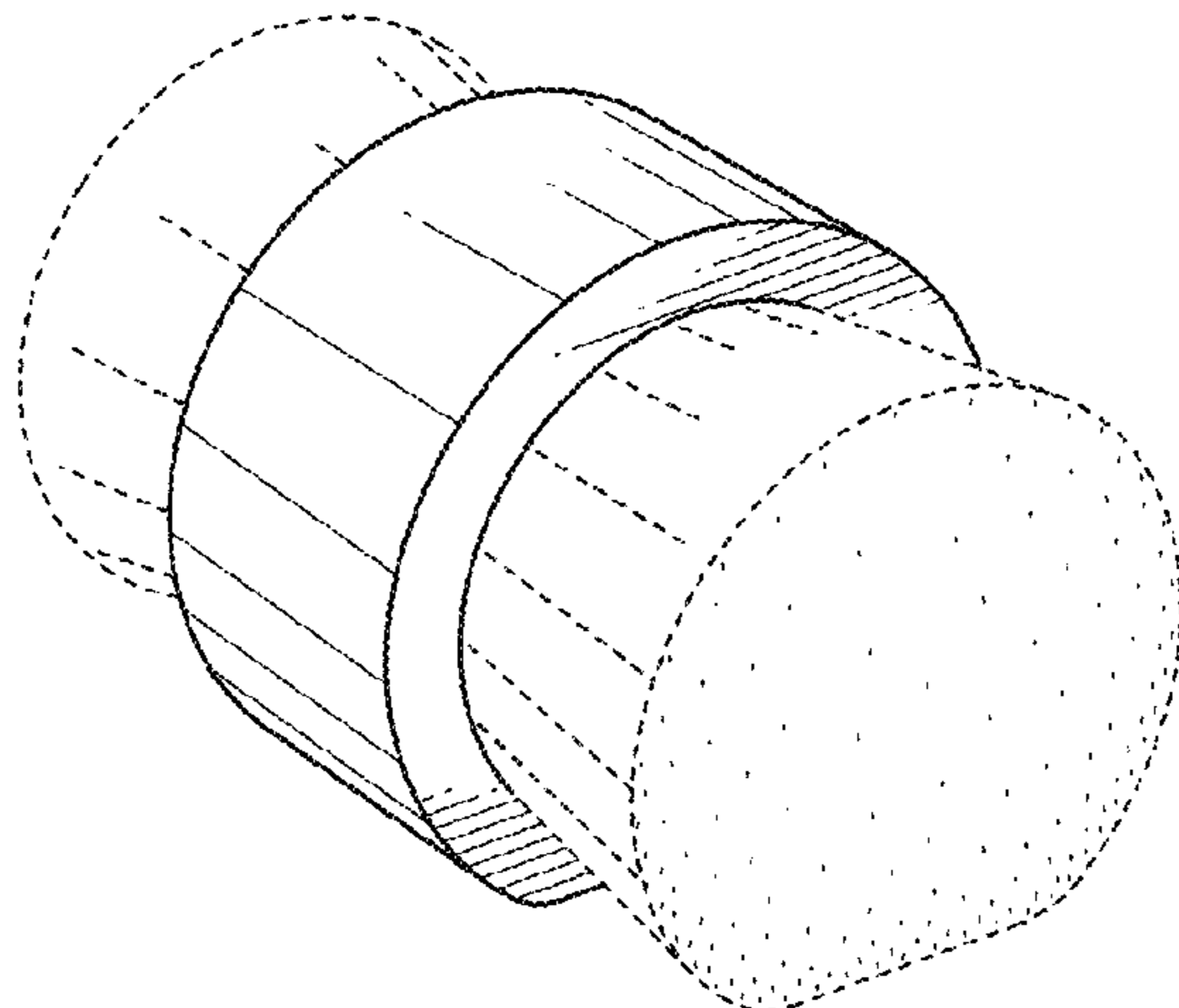
The ornamental design for a dual ended kabuki brush, as shown and described.

DESCRIPTION

FIG. 1 is a perspective view of an embodiment of a dual ended kabuki brush showing the new design; FIG. 2 is a front elevation view thereof, the rear elevation view being a mirror image; FIG. 3 is a right side elevation view thereof, the left side elevation view being a mirror image; FIG. 4 is a top plan view thereof; FIG. 5 is a bottom plan view thereof; FIG. 6 is a perspective view of an embodiment of a dual ended kabuki brush showing the new design; FIG. 7 is a front elevation view thereof, the rear elevation view being a mirror image; FIG. 8 is a right side elevation view thereof, the left side elevation view being a mirror image; FIG. 9 is a top plan view thereof; and, FIG. 10 is a bottom plan view thereof.

The broken lines in the drawings illustrate unclaimed portions of the dual ended kabuki brush and form no part of the claimed design. The claimed design extends to the broken line boundaries but does not include the boundaries or the area within the boundaries.

1 Claim, 2 Drawing Sheets



(58) **Field of Classification Search**
 CPC 13/02;A46B 13/023; A46B 15/0002;
 A46B 2200/10; A46B 2200/102; A46B
 2200/1033; A46B 2200/104; A46B
 2200/1046; A46B 2200/30; A46B
 2200/3006; A46B 2200/3013; A46B
 2200/3033; A46B 2200/3093
 See application file for complete search history.

(56) **References Cited**
 U.S. PATENT DOCUMENTS

715,881 A 12/1902 Scott
 783,937 A 2/1905 Edwards et al.
 987,277 A 3/1911 Wright
 1,142,698 A 6/1915 Grove et al.
 1,185,617 A 6/1916 Blaha et al.
 1,190,227 A 7/1916 Fesler
 D51,319 S * 10/1917 Montgomery D4/127
 1,242,956 A 10/1917 Lewyt
 1,261,502 A 4/1918 Farrows
 1,355,026 A 10/1920 Austin
 1,429,823 A 9/1922 Allison
 1,457,615 A 6/1923 Bunker
 1,480,814 A 1/1924 Bright et al.
 1,486,957 A 3/1924 England
 1,501,835 A 7/1924 Bash
 1,508,306 A 9/1924 Strulson
 1,510,898 A 10/1924 Nikicsér
 1,527,052 A 2/1925 McAndrews
 1,563,031 A 11/1925 Jones
 1,586,332 A 5/1926 Vinton
 1,651,355 A 12/1927 Alland
 1,666,116 A 4/1928 Bunnell
 1,748,491 A 2/1930 May
 1,748,895 A 2/1930 Jordan
 1,831,393 A 11/1931 Pierce, Jr.
 1,864,874 A 6/1932 Voight
 1,889,496 A 11/1932 Priest
 1,899,242 A 2/1933 Mcnab
 1,914,240 A 6/1933 Caldwell
 1,938,442 A 12/1933 Stuart
 1,972,532 A 9/1934 McMillan
 2,104,651 A 1/1938 Hoffman, Jr.
 2,132,943 A 10/1938 Frazier
 2,141,531 A 12/1938 Graham
 2,199,154 A 4/1940 Frohnert
 2,262,753 A 11/1941 Brennan
 D134,797 S 1/1943 Lubkin
 2,442,051 A 5/1948 Luscri
 2,485,822 A 10/1949 Goldrich
 2,533,838 A 12/1950 Ranft
 D165,691 S 1/1952 Macomic
 2,584,735 A 2/1952 Pancoast
 2,590,329 A 3/1952 Kromray
 2,591,537 A 4/1952 Gordon
 2,622,256 A 12/1952 Vojacek
 2,637,060 A 5/1953 Cowan
 2,637,868 A 5/1953 Hamilton
 2,642,331 A 6/1953 Sprinkle
 2,701,378 A 2/1955 Reinbolt et al.
 2,736,051 A 2/1956 Boodakian
 2,797,886 A 7/1957 Pinckney
 2,874,399 A 2/1959 Solomon
 2,946,072 A 7/1960 Filler et al.
 2,982,983 A 5/1961 Peterson
 2,997,210 A 8/1961 Mackirdy
 3,007,188 A 11/1961 Dolan
 3,106,738 A 10/1963 Bohne
 3,170,265 A 2/1965 Goldfarb
 3,193,863 A 7/1965 Myers et al.
 3,205,523 A 9/1965 Seaver
 D205,127 S 6/1966 Dykes
 3,291,130 A 12/1966 Whitehead
 3,309,728 A 3/1967 Seaver
 3,353,203 A 11/1967 Ginter
 3,472,242 A 10/1969 Demner

3,495,858 A 2/1970 Kindel
 3,505,700 A 4/1970 Rodriguez
 3,531,814 A 10/1970 Safalow
 3,577,582 A 5/1971 Aston
 3,592,202 A 7/1971 Jones
 3,712,749 A 1/1973 Roberts
 3,867,299 A 2/1975 Rohatgi et al.
 3,884,635 A 5/1975 Sloan et al.
 3,908,676 A 9/1975 Levine et al.
 3,951,157 A 4/1976 Idec
 3,955,670 A 5/1976 Buslik et al.
 D245,462 S * 8/1977 Hauf D4/129
 4,088,413 A 5/1978 Rossignol de la Ronde et al.
 D249,600 S 9/1978 Bowman
 4,129,918 A 12/1978 Lee et al.
 D251,159 S 2/1979 Tolliver
 4,140,222 A 2/1979 Francavilla
 4,165,942 A 8/1979 Johansson
 4,187,607 A 2/1980 Simuro et al.
 4,203,431 A 5/1980 Abura
 4,204,294 A 5/1980 Halverson
 4,213,472 A 7/1980 Gueret et al.
 D258,241 S 2/1981 Takada et al.
 4,248,543 A 2/1981 Carrington et al.
 4,267,851 A 5/1981 Plaisted
 4,292,986 A 10/1981 Ergaver et al.
 4,381,159 A 4/1983 Payne
 D269,481 S 6/1983 Souza
 4,396,238 A 8/1983 Torruella et al.
 4,479,047 A 10/1984 Khaja et al.
 4,483,036 A 11/1984 Sayklay
 4,502,497 A 3/1985 Siahou et al.
 D278,951 S 5/1985 Kalinsky
 4,545,393 A 10/1985 Gueret et al.
 4,600,328 A 7/1986 Clements
 4,617,948 A 10/1986 Gueret
 4,681,791 A 7/1987 Shibahashi et al.
 4,727,618 A 3/1988 Mahoney et al.
 4,734,953 A 4/1988 Dodson
 D296,005 S 5/1988 Alkire
 D297,889 S 10/1988 Ries et al.
 4,776,456 A 10/1988 Lewis
 4,778,300 A 10/1988 French et al.
 4,869,612 A 9/1989 Mooney et al.
 4,898,193 A 2/1990 Gueret et al.
 4,917,132 A 4/1990 Tuchman
 4,929,108 A 5/1990 Gueret
 D310,917 S * 10/1990 Futter D4/114
 D311,455 S 10/1990 Snipes
 4,987,911 A 1/1991 Powers
 5,007,442 A 4/1991 Hirzel et al.
 5,052,839 A 10/1991 Pettengill
 5,056,179 A 10/1991 Capponi
 D325,264 S 4/1992 Shinohara
 5,107,984 A 4/1992 Welschoff
 5,109,877 A 5/1992 Takeda
 D328,366 S 7/1992 Villani
 5,134,747 A 8/1992 Roesler et al.
 5,137,038 A 8/1992 Kingsford
 5,153,066 A 10/1992 Tanaka et al.
 5,176,754 A 1/1993 Hirzel
 5,211,494 A 5/1993 Baijnath et al.
 5,220,702 A 6/1993 Howell et al.
 D339,235 S 9/1993 Hirzel
 5,301,695 A 4/1994 Wong
 5,316,513 A 5/1994 Nakagawa et al.
 5,330,056 A 7/1994 De La Rocha
 5,333,343 A 8/1994 Nichols et al.
 5,334,421 A 8/1994 McNutt
 5,339,483 A 8/1994 Byun et al.
 5,348,031 A 9/1994 Cloud
 5,388,599 A 2/1995 Yen et al.
 5,431,176 A 7/1995 Favre et al.
 5,447,167 A 9/1995 Fleischaker
 D362,965 S * 10/1995 Tastanis D4/127
 5,480,027 A 1/1996 Leonard
 5,480,038 A 1/1996 Collier
 5,482,059 A 1/1996 Miraglia
 5,484,065 A 1/1996 Davoli

(56)

References Cited

U.S. PATENT DOCUMENTS

5,491,865	A	2/1996	Gueret	6,371,420	B1	4/2002	Strunk
5,507,063	A	4/1996	Hirsch	D458,134	S	6/2002	Berish et al.
5,535,474	A	7/1996	Salazar	6,401,290	B1	6/2002	Barton et al.
5,573,019	A	11/1996	Hempel	6,405,402	B1	6/2002	Choi
5,588,310	A *	12/1996	Lai A44C 17/0266	6,418,939	B1	7/2002	Byun
			63/15	6,438,784	B1	8/2002	Yu
5,588,447	A	12/1996	Gueret	6,497,236	B1	12/2002	Yates et al.
D377,121	S	1/1997	Lee	6,505,402	B2	1/2003	Moriwake et al.
5,596,785	A	1/1997	Park	6,506,327	B2	1/2003	Weihrauch
5,603,340	A	2/1997	Gueret	D471,018	S	3/2003	Mink
5,617,884	A	4/1997	Allison	6,532,970	B2	3/2003	Phue
5,620,270	A	4/1997	Gueret	D472,462	S	4/2003	Atkin et al.
5,628,082	A	5/1997	Moskovich et al.	6,546,937	B2	4/2003	Gueret
5,630,505	A	5/1997	Garcia	D474,342	S	5/2003	Silvestri
D380,615	S	7/1997	Roberts	D475,536	S	6/2003	Vaes
5,713,471	A	2/1998	Gueret	6,588,958	B1	7/2003	Seidler
5,765,252	A	6/1998	Carr	6,596,203	B1	7/2003	Au et al.
5,778,479	A	7/1998	Raia	6,601,591	B1	8/2003	Carullo et al.
5,799,910	A	9/1998	Dexter et al.	D479,917	S	9/2003	Mink
5,802,658	A	9/1998	Ward	D479,918	S	9/2003	Mink
5,839,626	A	11/1998	Gross et al.	D480,218	S	10/2003	Mink
5,881,742	A	3/1999	Hunsberger	6,669,389	B2	12/2003	Gueret
D408,636	S	4/1999	Gadling	D485,442	S	1/2004	Twigg
5,896,614	A	4/1999	Flewitt et al.	6,694,779	B1 *	2/2004	Dreger A47G 21/16
5,896,866	A	4/1999	Quennessen				63/15
5,941,254	A	8/1999	Heler	6,706,775	B2	3/2004	Hermann et al.
5,957,604	A	9/1999	Anderson	6,712,076	B2	3/2004	Alexander et al.
5,960,745	A	10/1999	Boyland	6,761,969	B2	7/2004	Li et al.
5,960,802	A	10/1999	Sakai	6,831,541	B1	12/2004	Seidler
5,970,989	A	10/1999	Litton et al.	6,832,405	B1	12/2004	Miller
5,974,618	A	11/1999	Dumler et al.	6,866,046	B2	3/2005	Gueret
5,976,616	A	11/1999	Celia	6,880,197	B2	4/2005	Katz et al.
6,024,101	A	2/2000	Garner et al.	6,890,115	B2	5/2005	Le Moing
6,026,824	A	2/2000	Gueret	6,895,628	B1	5/2005	Anderson
D421,846	S	3/2000	Choe	6,898,818	B2	5/2005	Lin
6,039,051	A	3/2000	Dorf	D506,069	S *	6/2005	Woods D4/127
D422,916	S	4/2000	Herrmann	6,942,412	B2	9/2005	Gueret
6,070,597	A	6/2000	Motherhead	6,957,468	B2	10/2005	Driesen et al.
6,070,749	A	6/2000	Joulia	7,004,913	B1	2/2006	Rutenberg et al.
6,074,076	A	6/2000	Parrish	7,007,797	B1	3/2006	Ruccolo
6,119,891	A	9/2000	Favre	7,073,902	B2	7/2006	Codos et al.
6,138,686	A	10/2000	Yuhara	7,096,598	B1	8/2006	Myatt
6,145,151	A	11/2000	Herron et al.	D527,529	S	9/2006	Ajluni et al.
6,158,443	A	12/2000	Leman et al.	D528,305	S	9/2006	Langer
6,173,719	B1	1/2001	Petit	7,107,645	B2	9/2006	Bressler et al.
6,180,741	B1	1/2001	Yamaguchi et al.	7,111,354	B2	9/2006	Nennig et al.
6,186,324	B1	2/2001	Catterson	D529,292	S	10/2006	Langer
6,189,697	B1	2/2001	Davis	7,127,770	B2	10/2006	Clegg et al.
D439,415	S	3/2001	Mink et al.	7,140,061	B2	11/2006	Baker et al.
6,199,694	B1	3/2001	Van Diest et al.	7,159,950	B2	1/2007	Young-Chul
6,202,242	B1	3/2001	Salmon et al.	7,228,864	B2	6/2007	Tahara
6,202,902	B1	3/2001	Starr	7,234,474	B2	6/2007	Byun
D442,369	S *	5/2001	Damiano D4/127	7,246,400	B2	7/2007	Ryan
6,224,287	B1	5/2001	Gieux	7,261,483	B2	8/2007	Gueret
6,234,181	B1	5/2001	Lou	D549,964	S	9/2007	Roth et al.
6,241,203	B1	6/2001	Cukrov	D550,562	S	9/2007	Yew
6,254,996	B1	7/2001	Fukuda et al.	D551,569	S	9/2007	Tanaka
6,264,147	B1	7/2001	Mitchell	7,275,885	B2	10/2007	Byun
6,268,040	B1	7/2001	McArthur	7,316,045	B2	1/2008	Koke
6,269,515	B1	8/2001	Varma	D562,005	S	2/2008	King
D448,178	S	9/2001	Tapley et al.	D562,566	S	2/2008	Mink
6,283,298	B1	9/2001	Seidler	7,334,685	B2	2/2008	Mathiez
6,298,863	B1	10/2001	Byun	7,337,787	B2	3/2008	Matsuoka
6,309,124	B1	10/2001	Gueret	7,344,327	B2	3/2008	Gueret
D450,189	S	11/2001	Mink et al.	D566,969	S	4/2008	Sherman et al.
D450,930	S	11/2001	Mink et al.	D568,050	S	5/2008	Huang
D450,931	S	11/2001	Mink et al.	D568,740	S	5/2008	Williams
6,311,358	B1	11/2001	Soetewey et al.	D571,105	S	6/2008	Godin
6,312,182	B1	11/2001	Dumler	D572,585	S	7/2008	Perrin et al.
D451,681	S	12/2001	Mink et al.	7,416,358	B2	8/2008	Legendre
6,336,460	B2	1/2002	Yuhara	D577,911	S	10/2008	Liebers
6,342,167	B1	1/2002	Kawano et al.	D578,773	S	10/2008	Sherman et al.
D454,001	S	3/2002	Mink et al.	D580,177	S	11/2008	Louis-Jeune
6,354,308	B1	3/2002	Kuk	7,448,111	B2	11/2008	Bigio
6,357,944	B1	3/2002	Reed et al.	7,465,113	B2	12/2008	Gueret
				D584,513	S	1/2009	Sherman et al.
				D584,897	S	1/2009	Belley
				7,494,030	B2	2/2009	Bennett
				D589,665	S	3/2009	Kwapis

(56)

References Cited

U.S. PATENT DOCUMENTS

7,530,752 B2	5/2009	Gueret	D727,567 S	4/2015	Bunkley	
D598,655 S	8/2009	Thorpe et al.	D747,919 S *	1/2016	Dodane	D7/393
7,581,544 B2	9/2009	Gueret	2001/0003600 A1	6/2001	Guay	
D601,803 S	10/2009	Reishus et al.	2002/0040720 A1	4/2002	Byun	
D601,804 S	10/2009	Hwang	2002/0078902 A1	6/2002	Ehrmann	
7,653,960 B2	2/2010	Lee	2002/0148058 A1	10/2002	Greenwood et al.	
D612,615 S	3/2010	Chitayat et al.	2002/0162565 A1	11/2002	Sebban	
7,716,775 B2	5/2010	DiPietro et al.	2002/0164192 A1	11/2002	Gueret	
D616,743 S	6/2010	Cresswell et al.	2003/0005533 A1	1/2003	Woodnorth et al.	
D616,744 S	6/2010	Cresswell et al.	2003/0035953 A1	2/2003	Weihrauch	
7,727,634 B2	6/2010	Yacovone	2003/0066151 A1	4/2003	Chang	
D620,798 S	8/2010	Cresswell et al.	2003/0089673 A1	5/2003	Herren	
D621,258 S	8/2010	Gullickson et al.	2003/0110585 A1	6/2003	Rechelbacher	
7,766,440 B2	8/2010	Kusunoki	2003/0135945 A1	7/2003	Nordstrom	
D623,371 S	9/2010	Li	2004/0050732 A1	3/2004	Baker	
D626,338 S	11/2010	Ajootian	2004/0129580 A1	7/2004	Cochran	
7,824,124 B2	11/2010	Francavilla et al.	2004/0134009 A1	7/2004	Sander et al.	
7,832,564 B2	11/2010	Kim	2004/0163193 A1	8/2004	Stafford	
7,854,562 B2	12/2010	Peterson et al.	2004/0237996 A1	12/2004	Fischer	
7,866,758 B2	1/2011	Jang	2005/0011030 A1	1/2005	Gonzalez	
D631,666 S *	2/2011	Lim	2005/0138747 A1	6/2005	Su et al.	
D632,488 S	2/2011	Twigg	2005/0198759 A1	9/2005	Segrea	
7,882,949 B1	2/2011	Singh	2005/0249539 A1	11/2005	Habatjou	
7,895,696 B2	3/2011	Belmonte	2005/0273962 A1	12/2005	Dillon	
7,895,698 B2	3/2011	Mink	2006/0000729 A1	1/2006	Ceballos	
7,918,620 B2	4/2011	Del Ponte	2006/0075570 A1	4/2006	Gelfand	
D637,404 S	5/2011	Wang	2006/0150355 A1	7/2006	Mason et al.	
7,950,402 B1	5/2011	Cole	2006/0162736 A1	7/2006	Gray	
7,955,014 B2	6/2011	Thorpe et al.	2006/0223024 A1	10/2006	Hochman	
7,996,947 B2	8/2011	Gueret	2006/0254012 A1 *	11/2006	Konishi	A46B 3/08 15/210.1
D646,487 S	10/2011	Leppla et al.	2006/0260078 A1	11/2006	Ranks	
8,032,972 B2	10/2011	Cherry	2007/0080094 A1	4/2007	Moon	
8,061,518 B2	11/2011	Shaughness	2007/0113364 A1	5/2007	Zen	
8,074,666 B2	12/2011	Piao	2007/0124882 A1	6/2007	Lee	
8,074,796 B1	12/2011	Andrews	2007/0151061 A1	7/2007	Mink et al.	
D651,409 S	1/2012	Papenfu	2007/0151571 A1	7/2007	Byun	
8,104,132 B2	1/2012	Mink	2007/0206986 A1	9/2007	Gueret	
D654,375 S	2/2012	Kuboshima	2007/0261710 A1	11/2007	Son et al.	
8,117,707 B1	2/2012	Ruh, II	2007/0295351 A1	12/2007	Germer	
8,132,285 B2	3/2012	Piao	2008/0060665 A1	3/2008	Umeno et al.	
8,132,541 B1	3/2012	Baer, Jr.	2008/0078419 A1	4/2008	Hirst	
8,136,536 B2	3/2012	Bickford	2008/0213719 A1	9/2008	Giniger et al.	
8,141,561 B2	3/2012	Thorpe et al.	2008/0243179 A1	10/2008	Ziv	
D658,385 S	5/2012	Lim et al.	2008/0256725 A1	10/2008	Emge	
D658,389 S	5/2012	Salgatar	2008/0256733 A1	10/2008	Brown	
8,184,998 B2	5/2012	Morikuni	2008/0276396 A1	11/2008	Lucero	
8,185,993 B2	5/2012	Fischer et al.	2008/0309017 A1	12/2008	Mattice	
8,185,998 B2	5/2012	Xu	2009/0003917 A1	1/2009	Duncan	
8,220,100 B2	7/2012	Diamond	2009/0039995 A1	2/2009	Kipp et al.	
8,220,469 B1	7/2012	Spagnuolo	2009/0041530 A1 *	2/2009	Deans	A45D 33/02 401/269
8,226,319 B2	7/2012	Francavilla et al.	2009/0044357 A1	2/2009	Chan et al.	
8,230,543 B2	7/2012	Shrier et al.	2009/0054925 A1	2/2009	Cho	
8,256,058 B2	9/2012	Telwar	2009/0071499 A1	3/2009	Wyatt et al.	
D669,213 S	10/2012	Celia	2009/0071502 A1	3/2009	Drugeon	
8,286,790 B1	10/2012	McBryar	2009/0089949 A1	4/2009	Mink et al.	
8,292,529 B2	10/2012	Francavilla	2009/0090375 A1	4/2009	Tran	
8,321,987 B2	12/2012	Bagley	2009/0097899 A1	4/2009	Carroll	
8,360,078 B2	1/2013	Lim et al.	2009/0119863 A1	5/2009	Gallegos	
D675,829 S	2/2013	Jakubow	2009/0131977 A1	5/2009	Ross	
8,371,549 B1	2/2013	Paquette	2009/0183328 A1	7/2009	King	
D677,059 S *	3/2013	Floyd	2009/0194127 A1	8/2009	Pires et al.	
D677,060 S *	3/2013	Floyd	2009/0194129 A1	8/2009	Junemann	
D677,470 S *	3/2013	Floyd	2009/0200184 A1	8/2009	Cullen	
8,393,037 B2	3/2013	Iwahori et al.	2009/0211939 A1	8/2009	Cho	
8,402,592 B2	3/2013	Byrne et al.	2009/0260172 A1	10/2009	Weiss	
D681,342 S	5/2013	Brower	2009/0272399 A1	11/2009	Kim	
8,522,973 B2	9/2013	Joseph	2010/0001541 A1	1/2010	Sugiyama	
8,595,886 B2	12/2013	Edelstein et al.	2010/0017990 A1	1/2010	Piao	
8,657,107 B2	2/2014	Gabbard	2010/0037407 A1	2/2010	Telwar	
8,678,693 B2	3/2014	Sturgis et al.	2010/0043815 A1	2/2010	Levy et al.	
D707,390 S	6/2014	Bunkley	2010/0059080 A1	3/2010	Gueret	
8,752,559 B1	6/2014	Tsai	2010/0095973 A1	4/2010	Shrier et al.	
D717,548 S	11/2014	Lim	2010/0163071 A1	7/2010	Everett, Jr. et al.	
D725,912 S *	4/2015	Sims	2010/0324594 A1	12/2010	Mercanti	
D727,034 S	4/2015	Lewis	2011/0056505 A1	3/2011	Parkinson et al.	
			2011/0083690 A1	4/2011	Cardenas et al.	
			2011/0116857 A1	5/2011	Carroll et al.	

(56)

References Cited

U.S. PATENT DOCUMENTS

2011/0174823	A1	7/2011	Silva
2011/0198453	A1	8/2011	Volk
2011/0198454	A1	8/2011	Volk
2011/0266297	A1	11/2011	Thorpe et al.
2011/0315161	A1	12/2011	Lim et al.
2012/0017930	A1	1/2012	Nance
2012/0054971	A1	3/2012	Dugan
2012/0159731	A1	6/2012	Liu et al.
2012/0204899	A1	8/2012	Uehara et al.
2012/0260931	A1	10/2012	Martin et al.
2012/0272982	A1	11/2012	Telwar et al.
2012/0294666	A1	11/2012	Jang
2012/0295216	A1	11/2012	Dykes et al.
2012/0312315	A1	12/2012	Gueret
2013/0017010	A1	1/2013	Liu
2013/0111683	A1	5/2013	Lim et al.
2013/0199556	A1	8/2013	Lim
2014/0014659	A1	1/2014	Thorpe et al.
2014/0023689	A1	1/2014	Kim et al.
2014/0154295	A1	6/2014	Sim et al.
2014/0219701	A1	8/2014	Eberlein
2014/0259489	A1	9/2014	Dale
2014/0325775	A1	11/2014	Nakamura et al.
2014/0331422	A1	11/2014	Lim
2014/0332027	A1	11/2014	Lim

FOREIGN PATENT DOCUMENTS

CN	201308219	Y	9/2009	
CN	201399985	Y	2/2010	
CN	301313366	S	8/2010	
CN	201610006	U	10/2010	
CN	101884463	A	11/2010	
CN	301542018	S	5/2011	
CN	202588745	U	12/2012	
CN	302457092	S	6/2013	
DE	2111893	A1	9/1972	
DE	3232227	A1	3/1984	
DE	4215896	C1	11/1993	
DE	29713124	U1	9/1997	
DE	29807245	U1	6/1998	
DE	10038850	A1	2/2002	
EP	2084986	A2	8/2009	
EP	2301379	A1	3/2011	
FR	923127	A *	6/1947 A46B 11/001
FR	987690	A *	8/1951 A46B 11/001
FR	2464674	A	3/1981	
FR	2642283	A1	8/1990	
FR	2976463	A	12/2012	
IL	EP 2090201	A1 *	8/2009 A47G 19/24
IT	WO 2006034815	A2 *	4/2006 A46B 9/02
JP	2003033228	A	2/2003	
JP	2003135140	A	5/2003	
JP	2004041260	A	2/2004	
JP	1218834	S	10/2004	
JP	2007068945	A	3/2007	
JP	1343552	S	11/2008	
JP	2009172300	A	8/2009	
KR	200262437	A	3/2002	
KR	300365471	S	10/2004	
KR	300404554	S	1/2006	
KR	200432010	Y1	11/2006	
KR	300525977	S	9/2008	
KR	30-0607863	S	8/2011	
KR	30-0672266	S	3/2012	
KR	30-0681633	S	11/2012	
WO	9211785	A1	7/1992	
WO	2007117091	A1	10/2007	
WO	2009031851	A2	3/2009	
WO	2010098997	A1	9/2010	

OTHER PUBLICATIONS

“All for One, Full Magnetic Travel Brush Set”, Sephora, retrieved on Feb. 26, 2015 at <<<http://www.sephora.com/aa-for-one-full-magnetic-travel-brush-set-P387815>>>, 3 pages.

Amazon: L’Oreal Brow Stylist Professional 3-in-1 brow tool; retrieved on Jun. 27, 2013 at: <http://www.amazon.com/Loreal-Brow-Stylist-Professional-Blonde/dp/B001KY07AY>, 5 pages.

Benjabelle, “Mini Brush Tree” retrieved on Sep. 1, 2014 at <<http://www.benjabelle.com/collections/brush-trees/product/mini-brush-tree>>>, 3 pages.

“Brushegg”, retrieved on Oct. 23, 2014 at <<<http://brushegg.bigcartel.com/product/brushegg>>>, 2 pages.

“Brush Cleaning Glove”, Sigma Spa, retrieved on Oct. 16, 2014 at <<http://www.sigmabeauty.com/Sigma_Spa_Brush_Cleaning_Glove_p/bc001.htm>>, 2 pages.

“Car Wash Brushes,” Martin Cox Chamois Ltd, retrieved on Oct. 16, 2014 at http://www.martincoxchamois.com/flow_through_car_wash_brushes.html, 8 pages.

“Clarisonic” retrieved on Dec. 19, 2013 at <<<http://www.clarisonic.com/>>> 5 pages.

CN 3412782 Registered Design, (Tianjin Samsung Brushes Ltd.) Dec. 22, 2004 [online], [retrieved on Oct. 3, 2014] Retrieved from the Questel Intellectual Property Portal Design Database Using the Internet: <URL; <http://www.orbit.com>>.

CN 3412783 Registered Design, (Tianjin Samsung Brushes Ltd.) Dec. 22, 2004 [online], [retrieved on Oct. 3, 2014] Retrieved from the Questel Intellectual Property Portal Design Database Using the Internet: <URL; <http://www.orbit.com>>.

CN 3412785 Registered Design, (Tianjin Samsun Brushes Ltd.) Dec. 22, 2004, [online], [retrieved on Oct. 3, 2014] Retrieved from the Questel Intellectual Property Portal Design Database using the Internet: <URL: <http://www.orbit.com>>.

CN 3417893 Registered Design, (Tianjin Samsun Brushes Ltd.) Jan. 12, 2005, [online], [retrieved on Oct. 3, 2014] Retrieved from the Questel Intellectual Property Portal Design Database using the Internet: <URL: <http://www.orbit.com>>.

CN 3466155 Registered Design, (Tianjin Samsung Brushes Ltd.) Aug. 10, 2005 [online], [retrieved on Aug. 26, 2014] Retrieved from the Questel Intellectual Property Portal Design Database Using the Internet: <URL; <http://www.orbit.com>>.

Da Vinci Catalog, Novelties 2005-2008, © Jan. 2008 [online], Top-point Mix B series 5535 Brushes, [retrieved on Mar. 13, 2015]. Retrieved from the Internet: <URL: <http://www.davinci-defect.com>>.

“Dual Interchangeable Brush Set”, Global Market, retrieved on Mar. 18, 2015 at <<<http://www.globalmarket.com/product-info/dual-interchangeable-brush-set-468011.html>>>, 2 pages.

Ebay: L’Oreal Brow Stylist Professional 3-in-1 brow tool; retrieved on Jun. 27, 2013 at: <http://www.ebay.com/itm/Loreal-Brow-Stylist-3-in-1-Tool-Tweezer-Pencil-Brush-/360388299897>; 3 pages.

Everbluec Singapore Beauty Makeup and Skincare Blog, May 14, 2011 [online], Elizabeth Arden makeup blender, [retrieved on Mar. 14, 2015] Retrieved from the Internet: <http://everbluec.com/2011/05/ceramide-colors-exclusive-launch-at.html>.

“Fingermax Creative Finger Painting Paint Brush”, retrieved on Oct. 9, 2014 at <http://thesotre.com/fingermax-creative-finger-painting-paint-brush/TSHVY6X6YF>>>, 5 Pages.

Foam Finger Wax Applicator, retrieved on Nov. 6, 2014 at <<http://www.cleanyourcar.co.uk/accessories/foam-finger-waxapplicators-pkg/2/prod_633.html>>, 2 pages.

“Furbuster 2 in 1 Dog Grooming Glove”, Petmate 89801, retrieved on Oct. 16, 2014 at <<Furbuster 2 in 1 Dog Grooming>>, 6 pages.

“Givenchy Demesure Audacious Lashes Mascara,” May 17, 2011, retrieved from the internet at <<<http://www.fashionizers.com/perfumes-makeup/givenchu-demesure-audacious-lashes-mascara/>>>, 9 pages.

Givenchy Parfums Maquillage, Soins, Parfums, retrieved on May 14, 2010 at <<http://www.parfumsgivenchy.com/make_up/collections/2010_summer_collection/products_in_this_collection/le_prisme_yeux_island_camaieu_limited_edition/product_5_183_1128_214.html>> 1 page.

(56)

References Cited

OTHER PUBLICATIONS

Givenchy Summer Makeup Collection 2010 Review and Swatches, retrieved on May 14, 2010 at <<<http://www.musingsofamuse.com/2010/04/givenchy-summer-makeup-collection-2010-review-and-swatches.html>>> 20 pages.

Indeutsch May 2003 [online], Hobby & Craft Brushes, Series HCS: Squirrel Mop, p. 2, [retrieved on Jun. 30, 2014] Retrieved from the Internet using Web Archive: URL:<<http://web.archive.org/web/http://www.indeutsch.com>>.

"iTech Magnetic & Tourmaline Boar and Nylon Bristle Brush 3 1/4 Inch", Beauty Encounter Inc.[retrieved on Sep. 9, 2010] <<http://www.beautyencounter.com/727428765006.html>>.

Lady Zona, "Choosing the Right Make Up Brush", Retrieved on Feb. 24, 2015 at <<<http://www.ladyzona.com/choosing-the-right-make-up-brush/>>>, 3 pages.

"Launch Pad Mojo Magpro Professional Magnetic Brush Set", Beauty and the Blog, retrieved on Feb. 26, 2015 at <<<http://www.beautyandblog.com/2012/01/launch-pad-mojo-magpro-professional.html>>>, 4 pages.

LeKeux, "My Cosmetic Range" LeKeux HQ, retrieved on Feb. 24, 2015 at <<<http://lekeuxhq.blogspot.com/2014/11/my-cosmetics-range.html>>>, 6 Pages.

Little Blue Chairs, "My first Giveaway at Little Blue Chairs!" Retrieved on Apr. 10, 2013 at <<<http://www.littlebluechairs.com/2011/02/my-first-giveaway-at-little-blue-chairs.html>>> 8 pages.

"Makeup Brushes Buying Guide", Ebay, Jun. 9, 2014, retrieved on Mar. 18, 2015 at <<<http://www.ebay.com/gds/Makeup-Brushes-Buying-Guide-/10000000177404992/g.html>>>, 6 pages.

"MelodySusie", retrieved on Oct. 9, 2014 at <<http://amazon.com/MelodySusie-Applicator-Multi-Functional-Vibration-Foundation/dp/B00B4QGM1A/ref=aag_m_pw_dpie=UTF8&m=A24IL96TV4XLBY>>, 4 pages.

Moddea, retrieved on Oct. 16, 2014 at <<<http://moddea.com/2012/10/>>>, 15 pages.

Nixon, "Optometric Office", retrieved on Oct. 9, 2014 at <<<http://www.optometricoffice.com?OO/OO-Archive/BIGGER-IS-BETTER-3436.aspx>>>, 2 pages.

"Non Optional UK Beauty and Lifestyle Blog", posted by Nicola Surrey, retrieved on Jan. 9, 2015 at <<http://non-optional.blogspot.com/2012_08_01_archive.html, Aug. 2012 {2012}, Sephora classic Mineral Powder Brush, p. 16, 24 pages.

"Popcorn Yubi-fude Finger Brush", Japan Trend Shop, retrieved on Oct. 8, 2014 at <<<http://www.japantrendshop.com/popcorn-yubifude-finger-brush-p-939.html>>>, 3 pages.

"Series of innovations for makeup brushes", Premium Beauty Media, retrieved on Feb. 26, 2015 at <http://www.premiumbeautynews.com/en/Series-of-innovations-for-makeup-3232>, 2 pages.

"Silicone Blackhead Cleanser Nose Pore Brush Cleaner Remover Finger Tool", retrieved on Oct. 9, 2014 at <<Silicone Blackhead cleanser Nose Pore Brush cleaner Remover Finger Tool>>, 2 pages.

"Silicone Nose Pore Clean Finger Brush Blackhead Extractor Remover Facial Scrub Pad Tool", retrieved on Oct. 9, 2014 at <<http://www.alibaba.com/product-detail/Silicone-Nose-Pore-Clean-Finger-Brush_900763337.html>>.9 pages.

"Teeth Brushing for cats and dogs", retrieved on Oct. 9, 2014 at <<Teeth Brushing for cats and dogs>>, 7 pages.

The Brush Guard; <http://www.thebrushguard.com/> retrieved Oct. 25, 2011, 1 page.

"The Makeup Bullet" retrieved on Oct. 9, 2014 at <<<http://themakeupbullet.com/>>>, 1 pages.

Wholesale-mn-2 Pcs Portable Cosmetics Telescopic Lip, retrieved on Oct. 16, 2014 at <http://www.dhgate.com/product/wholesale-mn-2-pcs-portable-cosmetics-telescopic/200881505.html#s1-2-1|2462569649>>>, 7 pages.

"Why Didn't We Think of That: Magnetic Makeup Brush", Gloss Daily, retrieved on Feb. 26, 2015 at <http://www.glossdaily.com/blogs/glossdaily/2012/05/31/magnetic-makeup-brush/>>>, 2 pages.

"Latest design double end kabuki blush brush", Alibaba.com, retrieved on Mar. 18, 2015 at <<http://www.alibaba.com/product-detail/Latest-design-double-end-kabuki-blush_668701458.html>>, 3 pages.

* cited by examiner

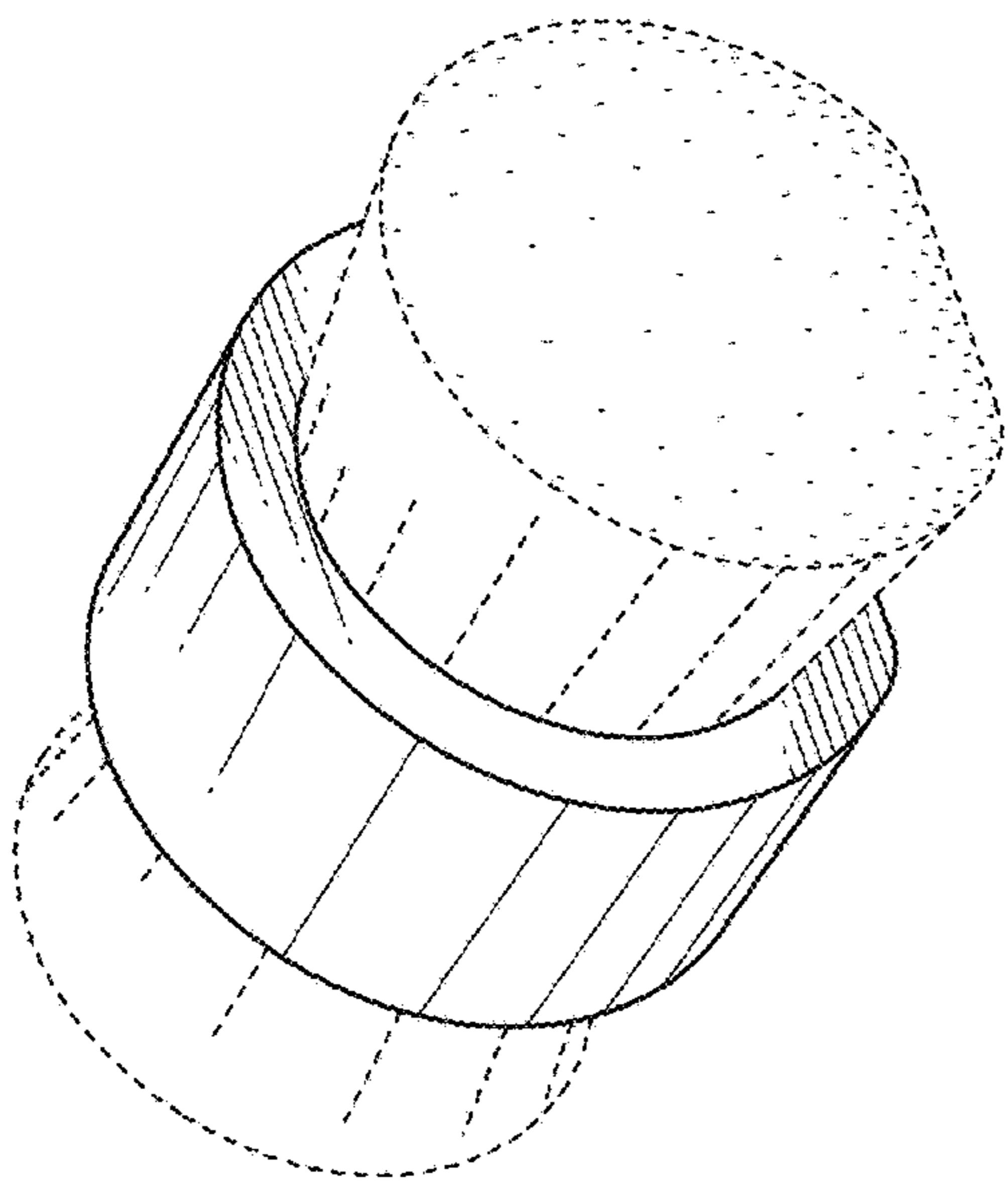


FIG. 1

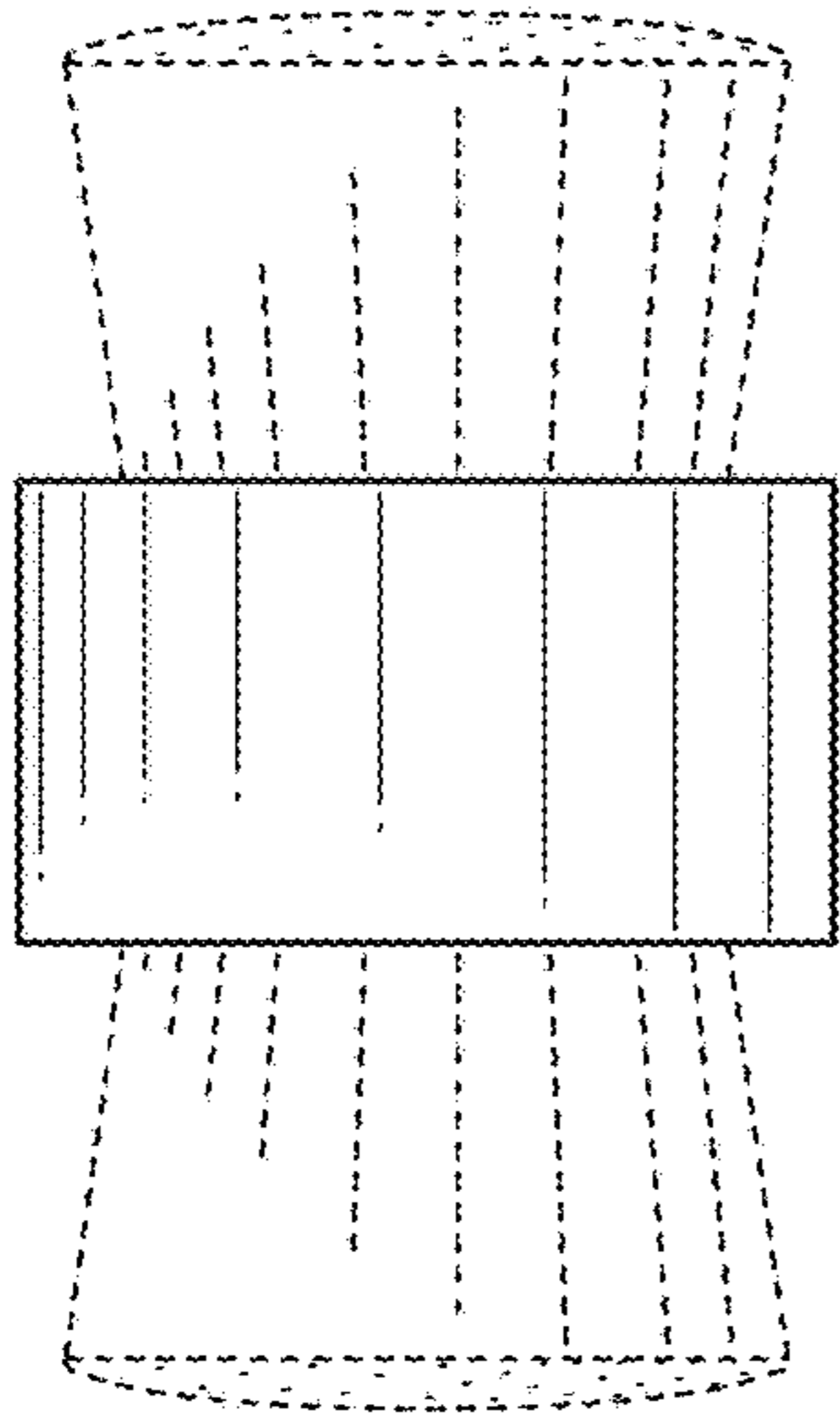


FIG. 2

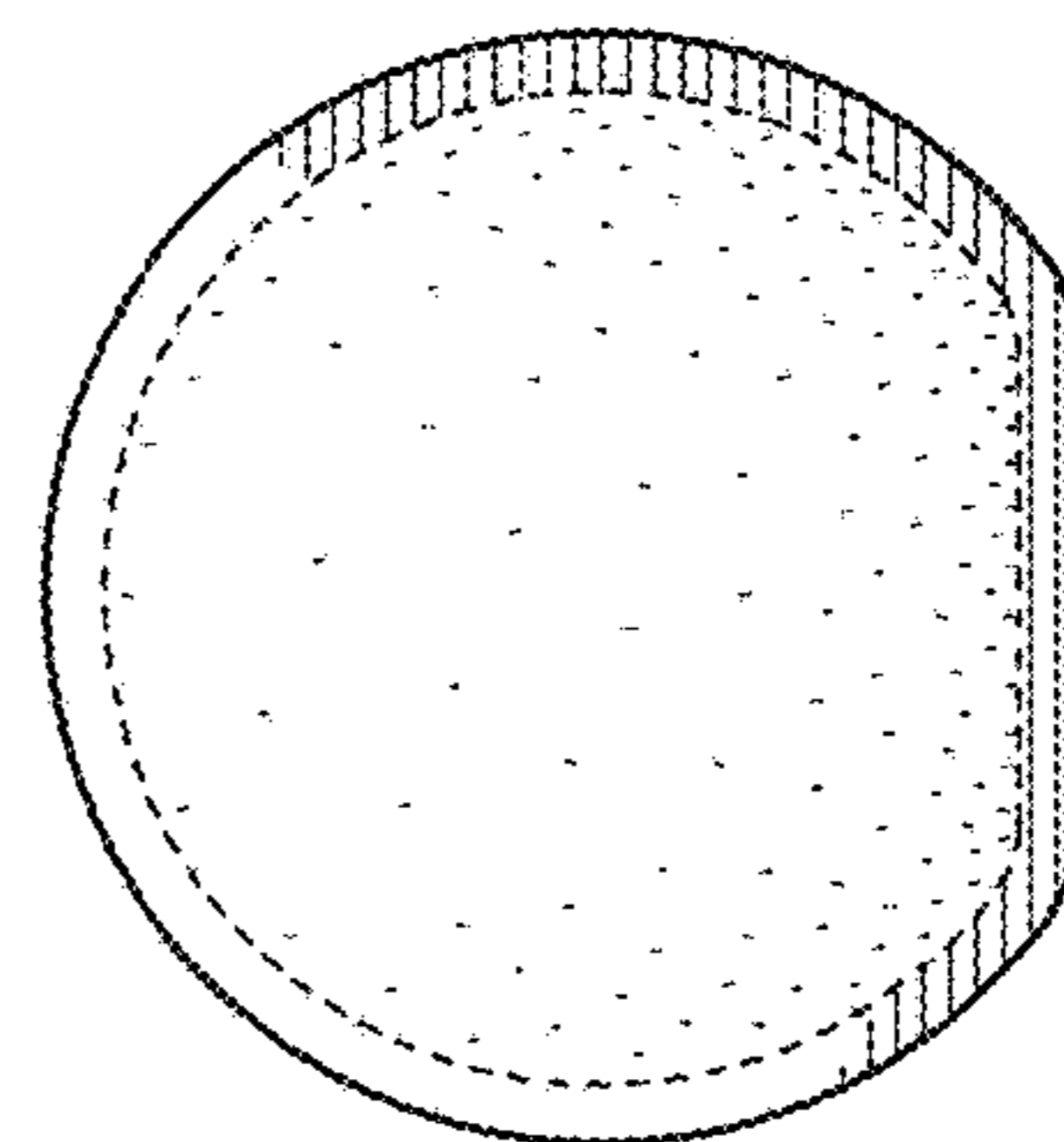


FIG. 3

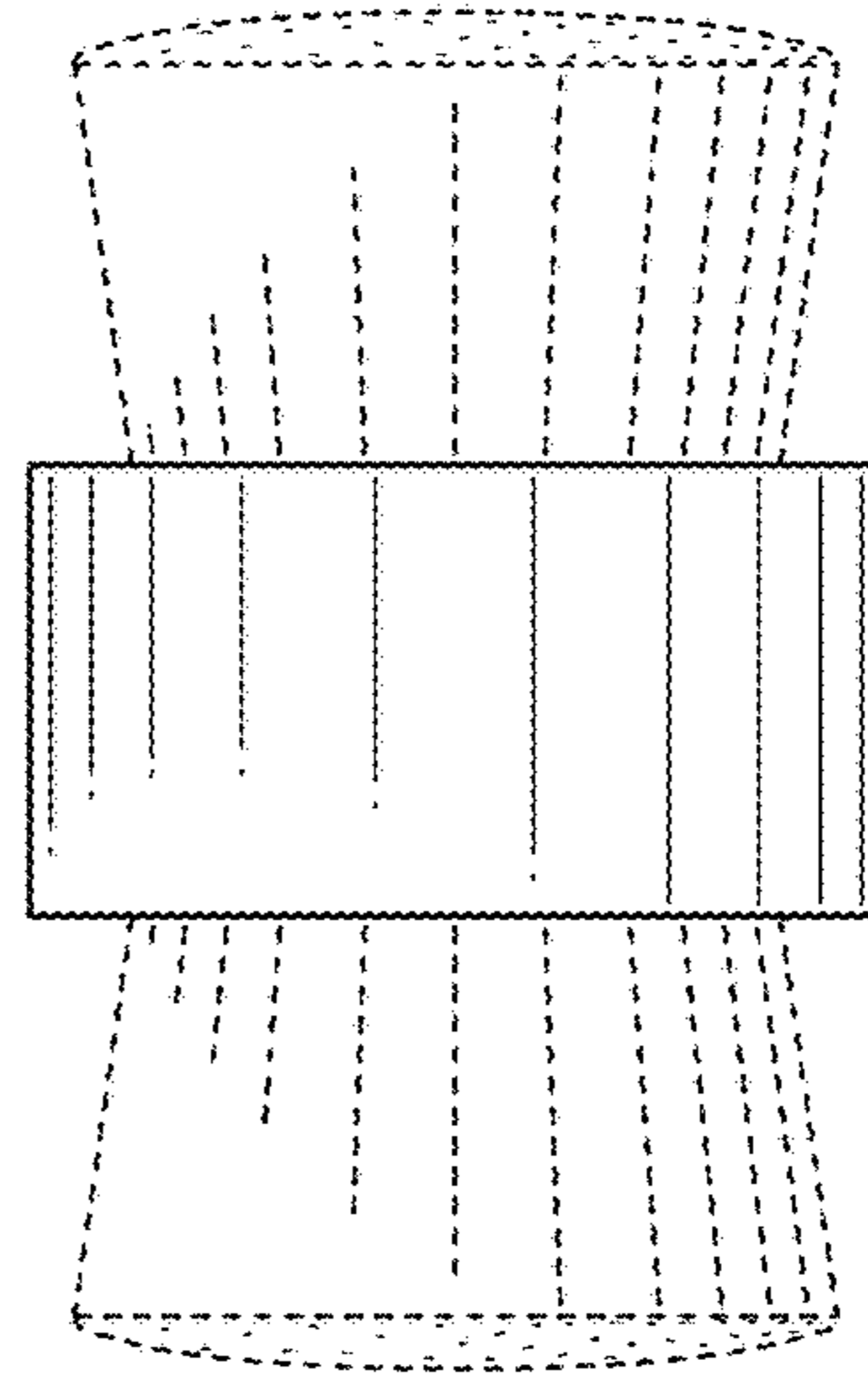


FIG. 4

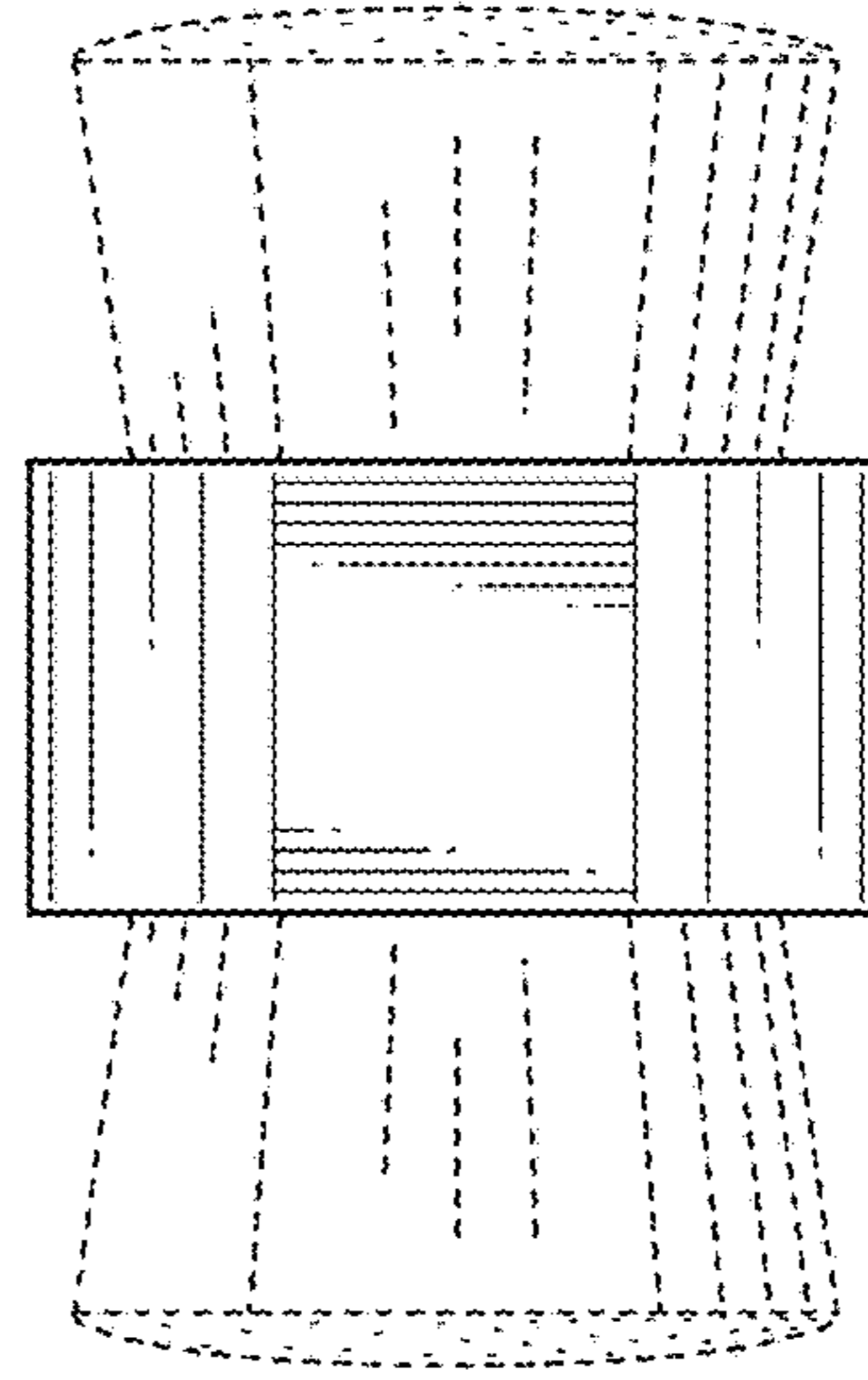


FIG. 5

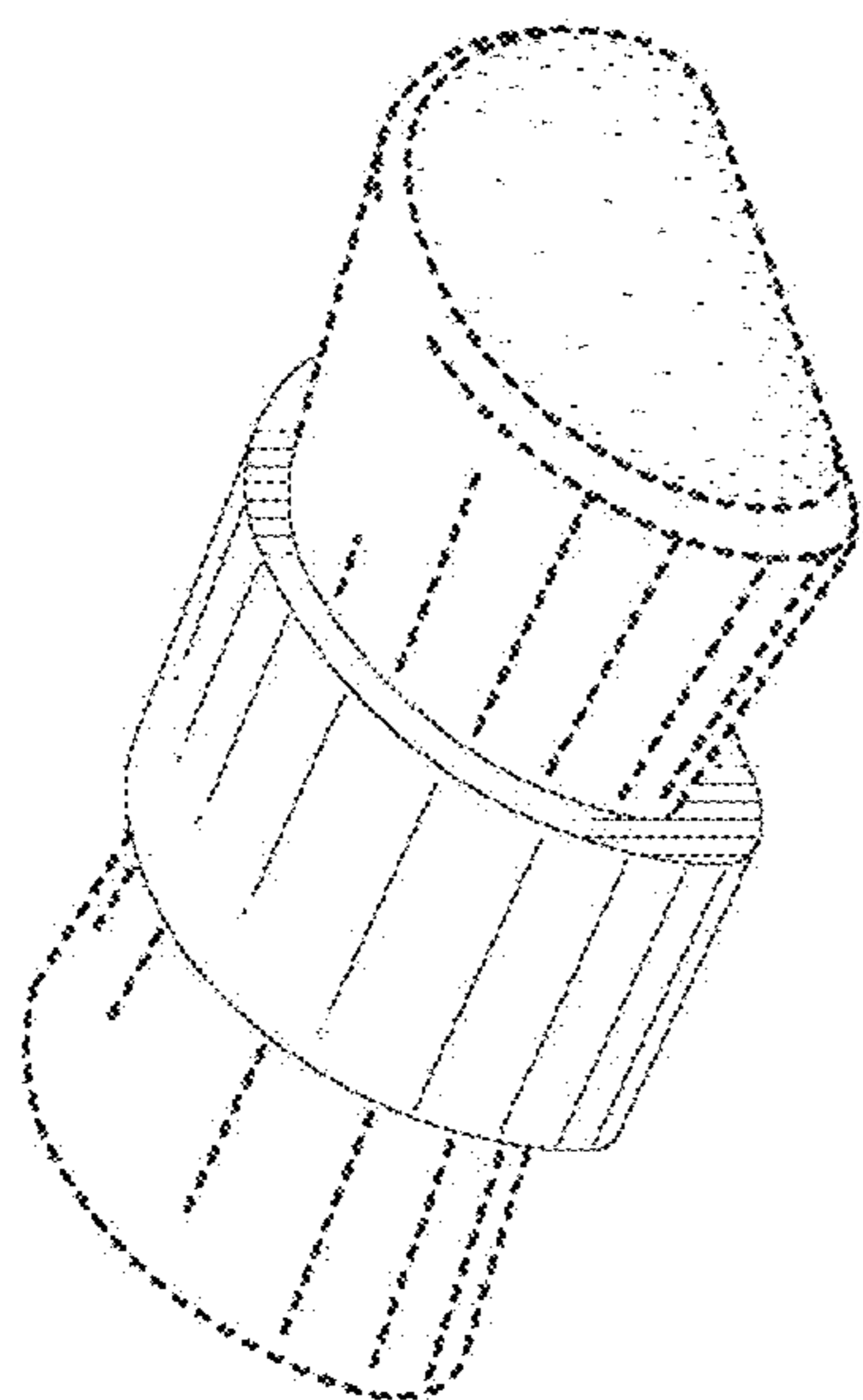


FIG. 6

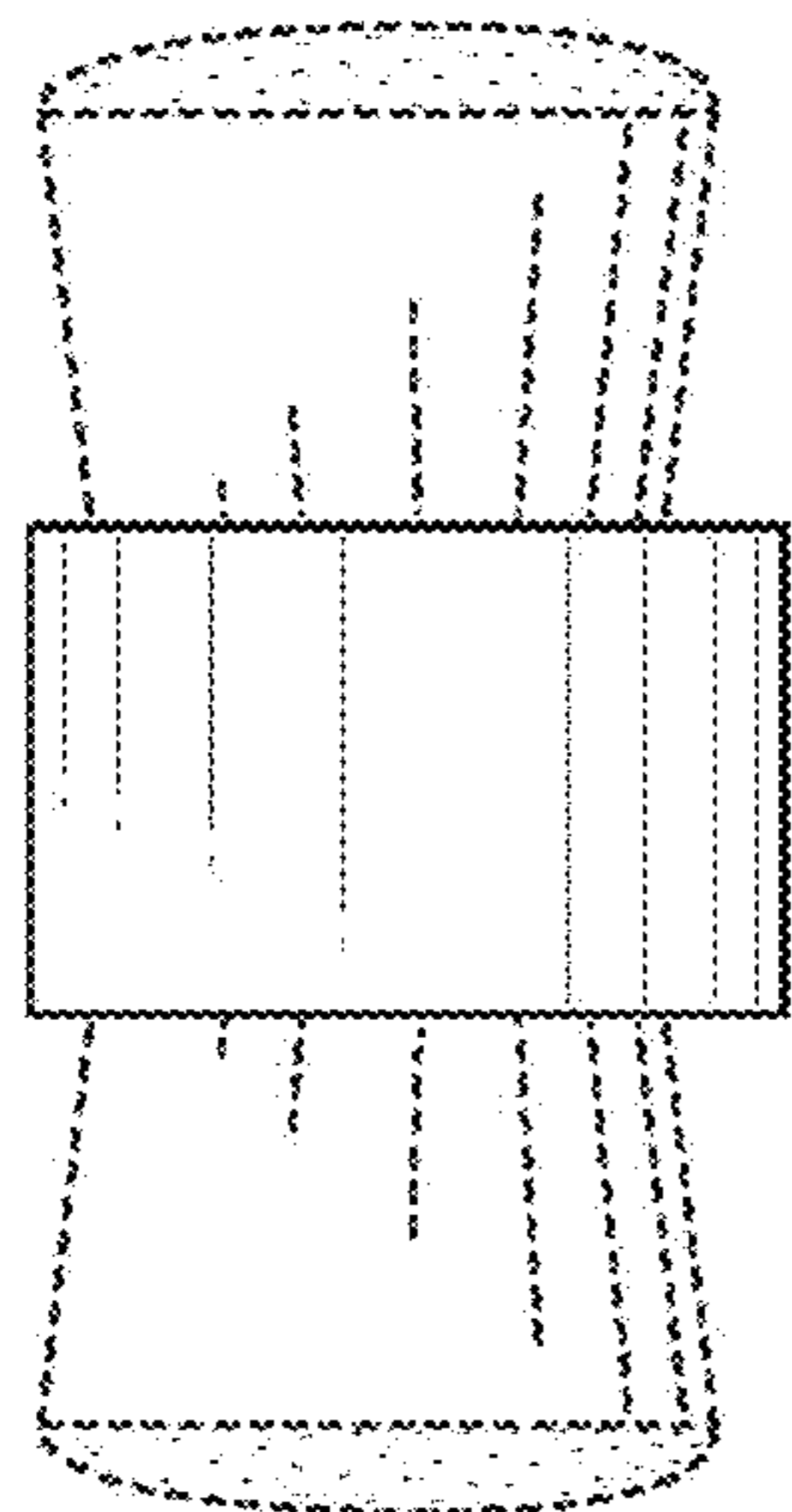


FIG. 7

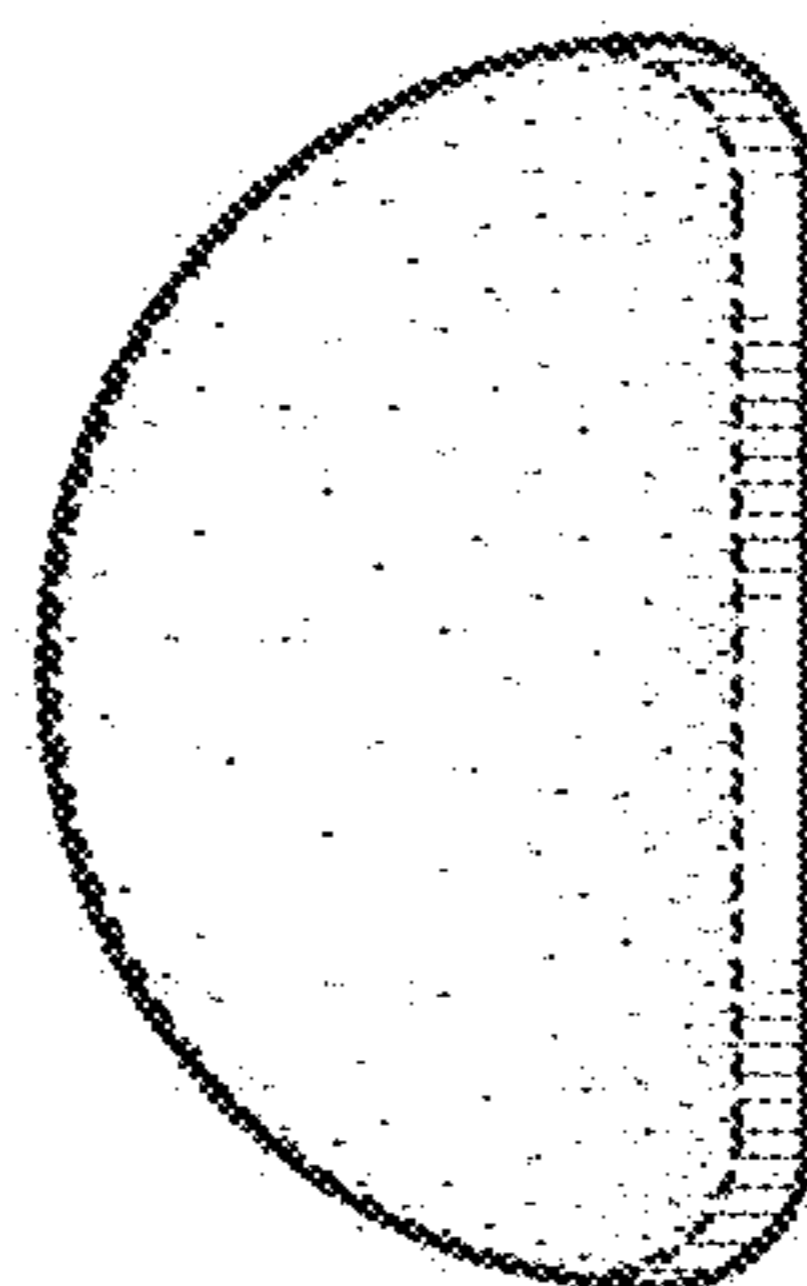


FIG. 8

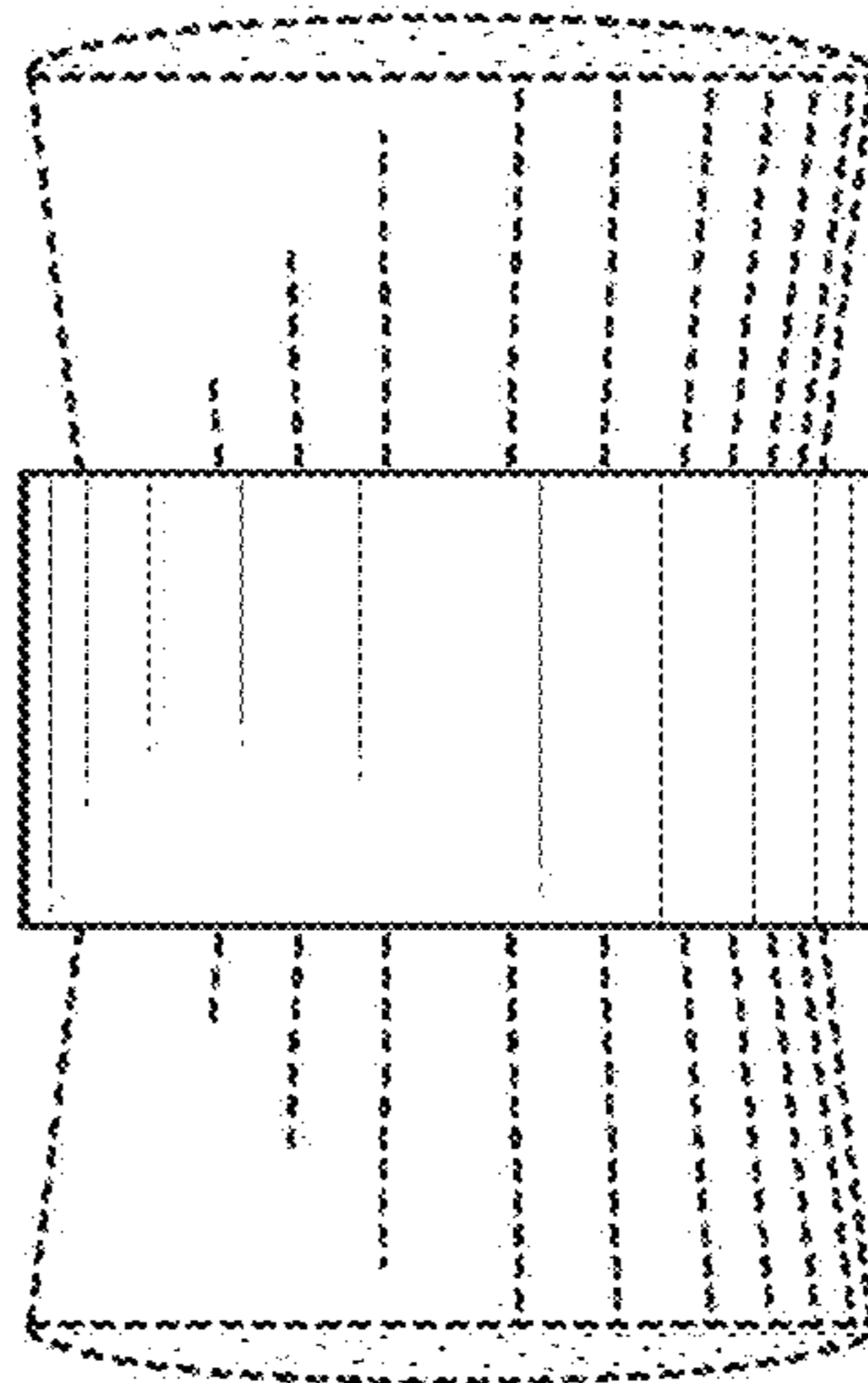


FIG. 9

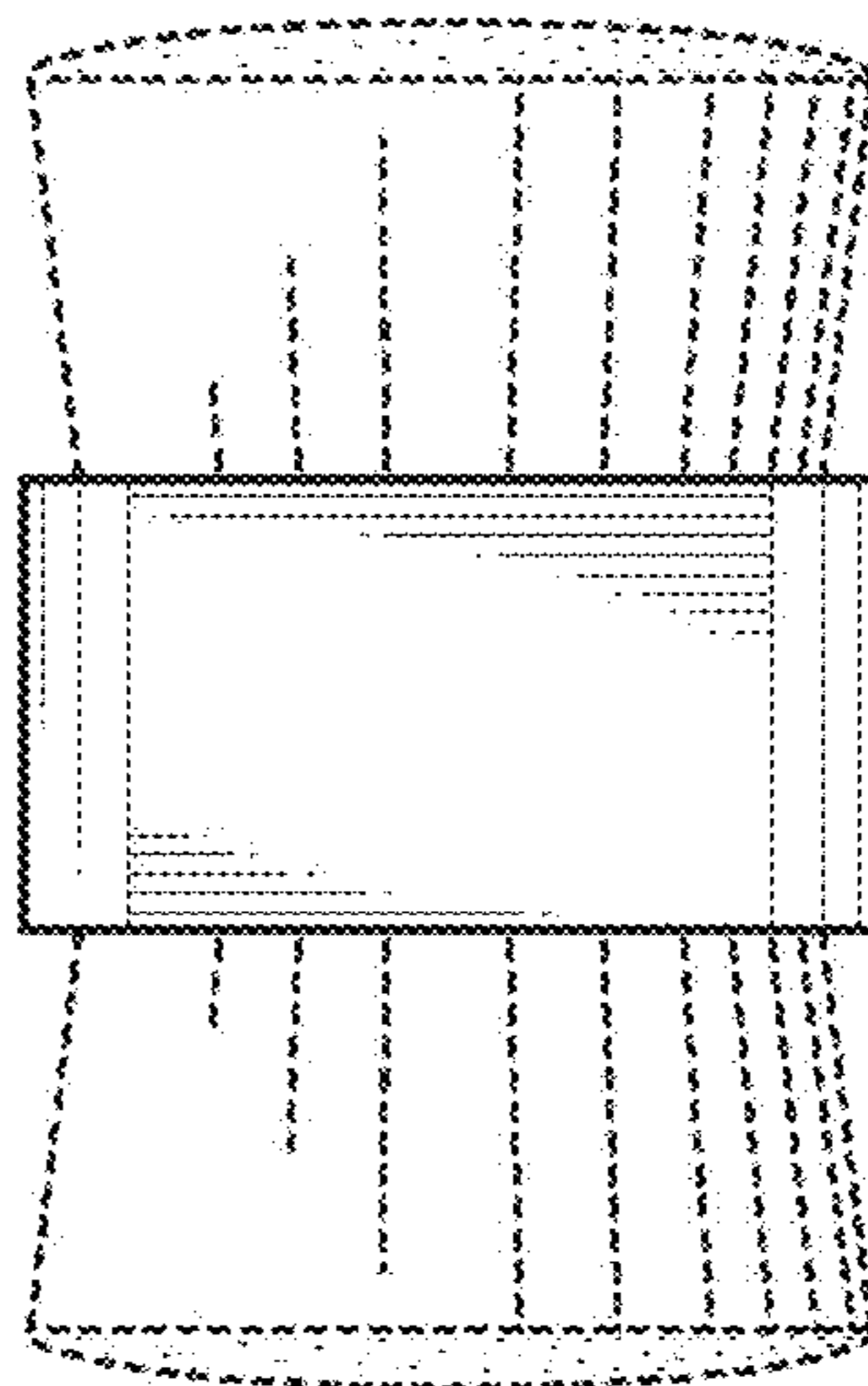


FIG. 10