



US00D778066S

(12) **United States Design Patent**
Kern et al.

(10) **Patent No.:** **US D778,066 S**

(45) **Date of Patent:** **** Feb. 7, 2017**

- (54) **TREATMENT BRUSH HEAD**
- (71) Applicant: **NSE Products, Inc.**, Provo, UT (US)
- (72) Inventors: **Dale G. Kern**, Hyde Park, UT (US);
Matthew James Herd, Cambridgeshire (GB); **Charles Frazer Kilby**,
Cambridgeshire (GB)
- (73) Assignee: **NSE Products, Inc.**, Provo, UT (US)

D333,730	S	*	3/1993	Martin	D30/158
D333,922	S	*	3/1993	Strickler	D30/158
5,228,165	A	*	7/1993	Westberry	A47K 7/024 15/160
D342,319	S	*	12/1993	Cheng	D24/200
D344,137	S	*	2/1994	Yoo	D24/200
D351,947	S	*	11/1994	Fitzgerald	D28/63
D357,322	S	*	4/1995	Matthews	D24/200
D369,447	S	*	4/1996	Mann	D32/19
D370,124	S	*	5/1996	Chamieh	D4/115
D409,337	S	*	5/1999	Johnson, Jr.	D28/63
6,076,222	A	*	6/2000	Jolly	A63B 57/60 15/161

(**) Term: **15 Years**

(Continued)

- (21) Appl. No.: **29/536,109**
- (22) Filed: **Aug. 13, 2015**
- (51) **LOC (10) Cl.** **04-02**
- (52) **U.S. Cl.**
USPC **D4/127**
- (58) **Field of Classification Search**
USPC D4/100, 102, 115, 117, 118, 123, 124,
D4/127, 136, 137, 199; D24/127, 133,
D24/144, 146, 214, 215; D6/583-585;
D28/63; 601/109, 112, 114; 604/20;
607/50, 75, 98, 99, 96
CPC B08B 6/00; A47L 13/40; A47L 11/4041;
A46B 3/08; A46B 5/0075; A46B 13/008;
A46D 1/00
See application file for complete search history.

Primary Examiner — John Windmuller

Assistant Examiner — Steven Czyz

(74) *Attorney, Agent, or Firm* — Dorsey & Whitney LLP;
Stuart R. Hemphill, Esq.

(57) **CLAIM**

We claim the ornamental design for a treatment brush head,
as shown and described.

DESCRIPTION

This application is related to U.S. Non-Provisional patent application Ser. No. 14/825,316, filed Aug. 13, 2015, each of which is incorporated by reference herein, in the entirety and for all purposes.

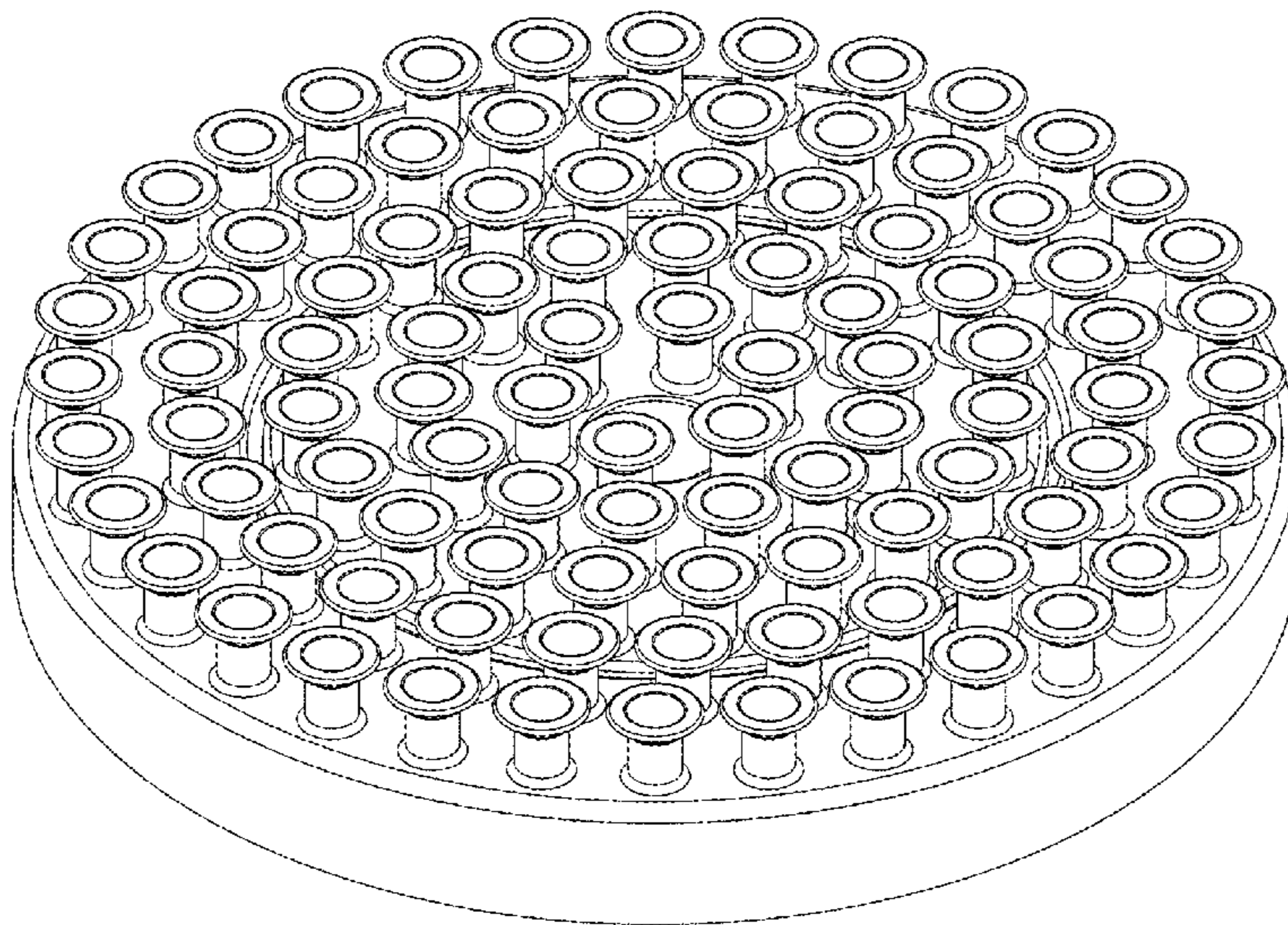
- FIG. 1 is an isometric view of a treatment brush head.
- FIG. 2 is a top view of the treatment brush head of FIG. 1.
- FIG. 3 is a front elevation view of the treatment brush head of FIG. 1.
- FIG. 4 is a rear elevation view of the treatment brush head of FIG. 1.
- FIG. 5 is a left-side elevation view of the treatment brush head of FIG. 1.
- FIG. 6 is a right-side elevation view of the treatment brush head of FIG. 1; and,
- FIG. 7 is a cross-sectional view taken along the line 7-7 of FIG. 2.

(56) **References Cited**

U.S. PATENT DOCUMENTS

1,913,462	A	*	6/1933	Timar	A61H 7/003 601/135
2,682,675	A	*	7/1954	Prucha	A46B 13/06 15/180
D262,672	S	*	1/1982	Chase	D24/211
4,343,265	A	*	8/1982	Belschner	A01K 13/002 119/625
D285,131	S	*	8/1986	Wilkeson	D30/158
D321,434	S	*	11/1991	Strickler	D30/158

1 Claim, 7 Drawing Sheets



(56)

References Cited

U.S. PATENT DOCUMENTS

D460,554 S *	7/2002	Park	D24/133	D661,811 S *	6/2012	Ferguson	D24/200
6,424,862 B1 *	7/2002	Brown, III	A61N 1/0424	D671,281 S *	11/2012	Singer	D30/158
				604/174	D699,903 S *	2/2014	Singer	D30/159
D462,483 S *	9/2002	Campbell	D28/63	D715,553 S *	10/2014	Brewer	D4/102
D479,336 S *	9/2003	La Bianco	D24/215	D720,933 S *	1/2015	Albers	D4/120
7,194,316 B2 *	3/2007	Bousfield	A61N 1/322	D726,418 S *	4/2015	Gruber	D4/104
				433/29	D740,033 S *	10/2015	Gruber	D4/104
D539,916 S *	4/2007	Baldachini	D24/200	D753,399 S *	4/2016	Owen	D4/100
D545,970 S *	7/2007	Eknoian	D24/189	2008/0005860 A1 *	1/2008	Niizaki	A46D 1/00
D545,971 S *	7/2007	Eknoian	D24/189					15/207.2
D548,339 S *	8/2007	Stonier	D24/133	2008/0295268 A1 *	12/2008	Lei	A46B 5/0095
D555,407 S *	11/2007	Lan	D6/583					15/146
D567,387 S *	4/2008	Nan	D24/215	2011/0118655 A1 *	5/2011	Fassih	A61N 1/044
7,386,906 B2 *	6/2008	Roth	A46B 13/06					604/20
				15/21.1	2013/0023805 A1 *	1/2013	Ungemach	A61H 7/005
7,395,110 B2 *	7/2008	Hofmann	A61N 1/0424					601/114
				604/20	2013/0023806 A1 *	1/2013	Ungemach	A61H 7/005
7,786,626 B2 *	8/2010	Reishus	H02K 33/16					601/114
				15/22.1	2015/0359324 A1 *	12/2015	Brewer	A46B 15/001
									15/22.1

* cited by examiner

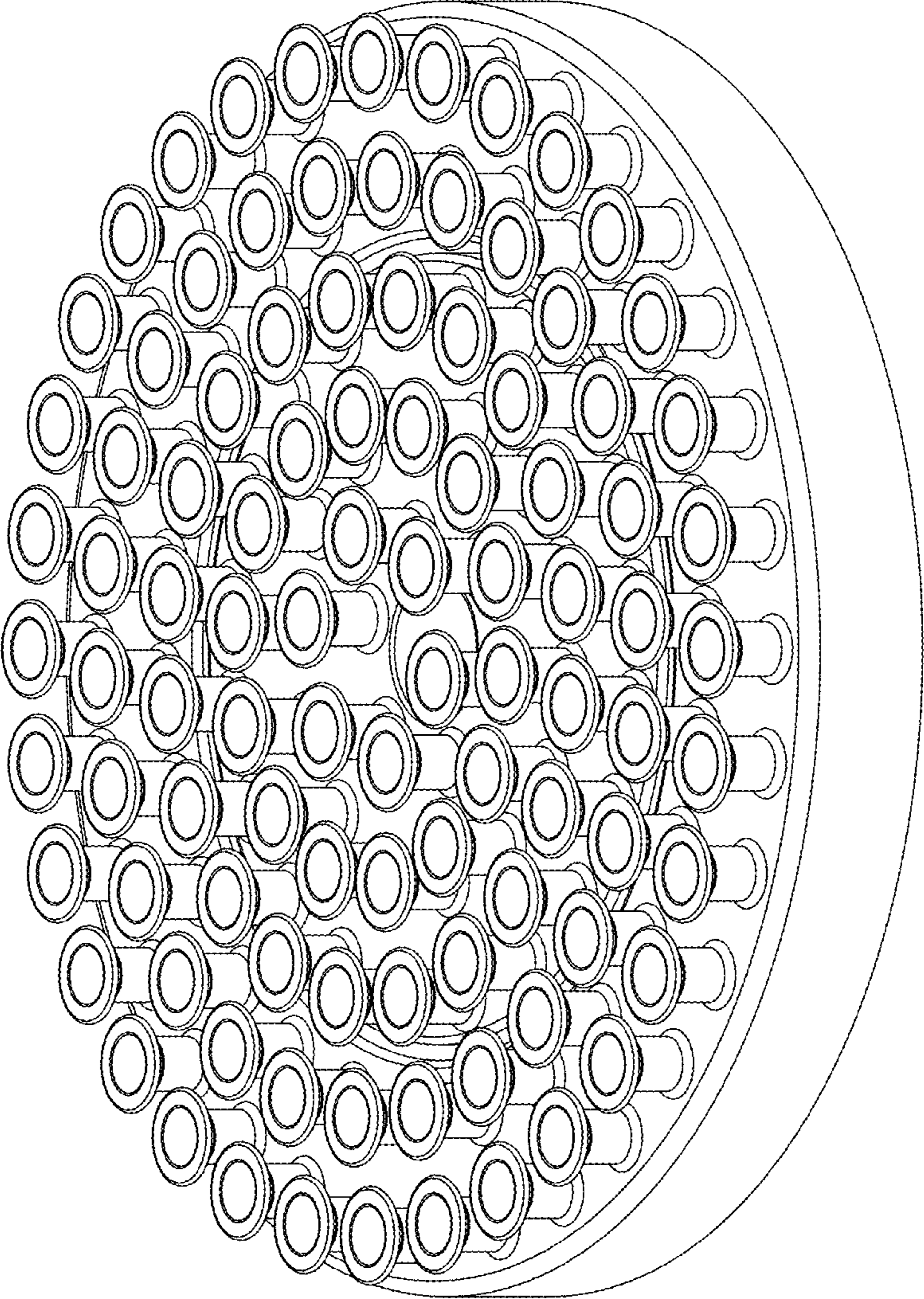


FIG. 1

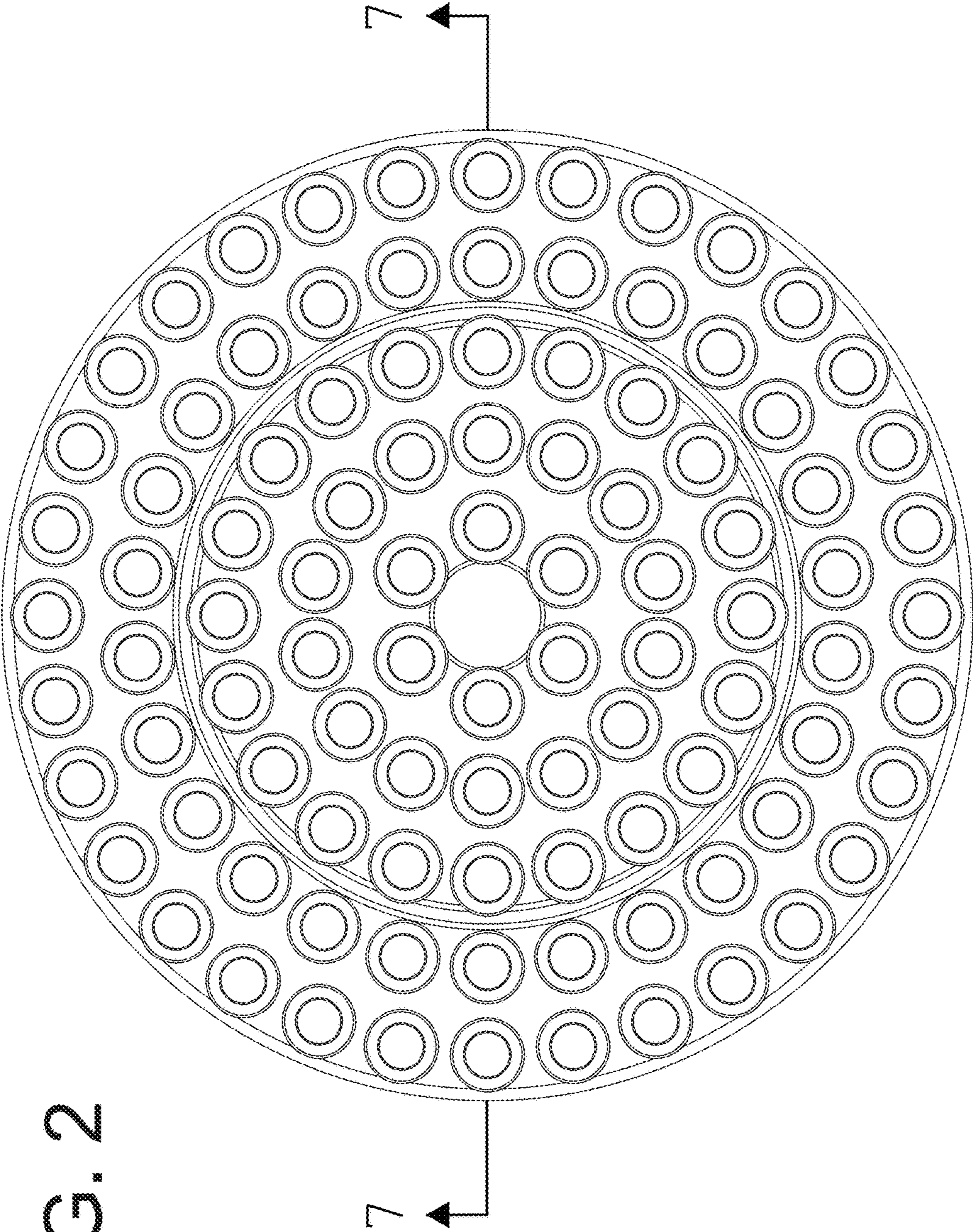


FIG. 2

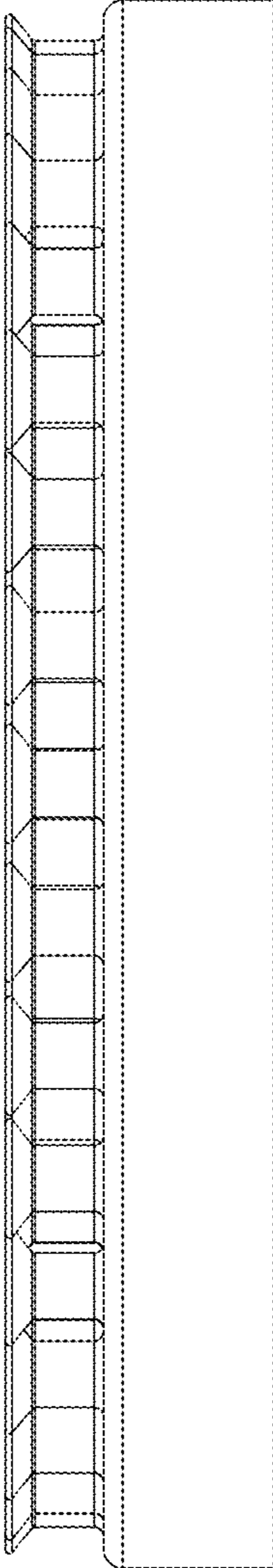


FIG. 3

FIG. 4

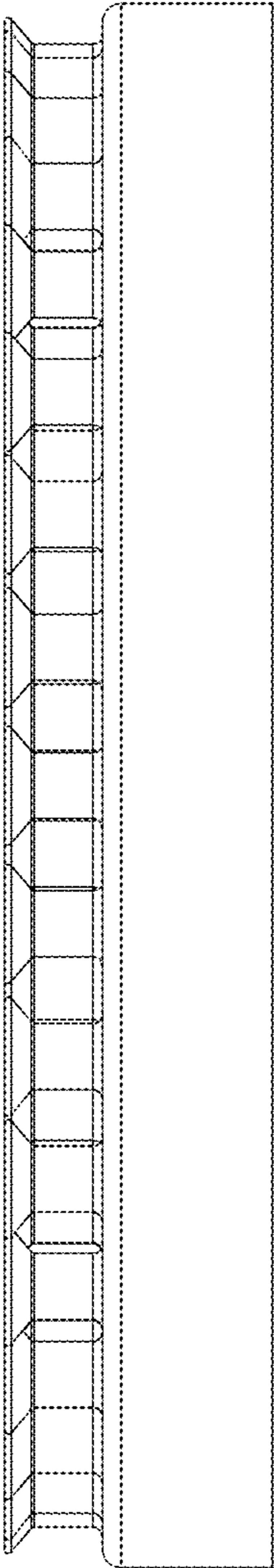
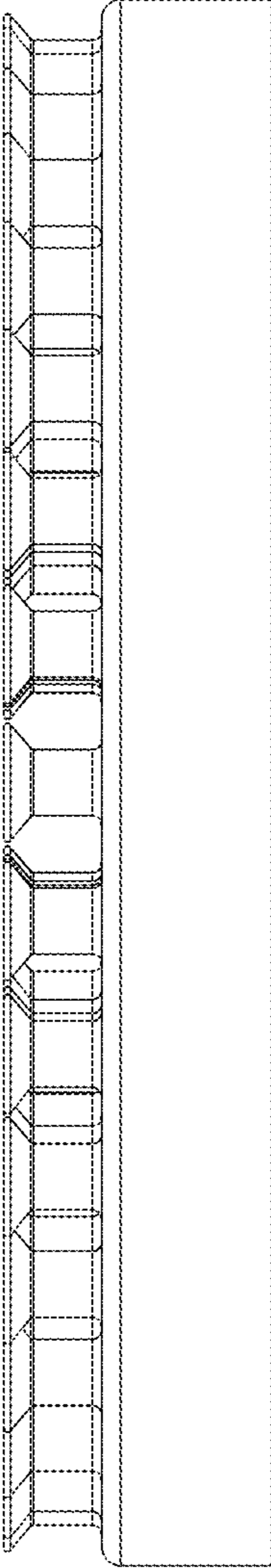


FIG. 5



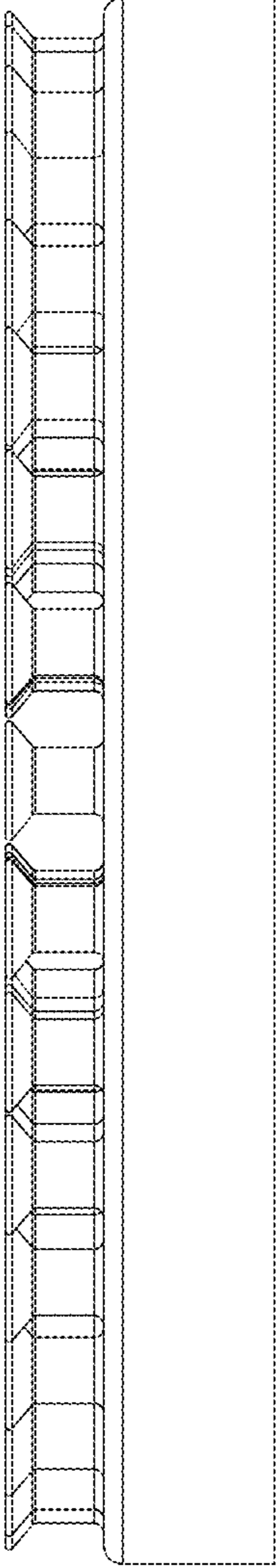
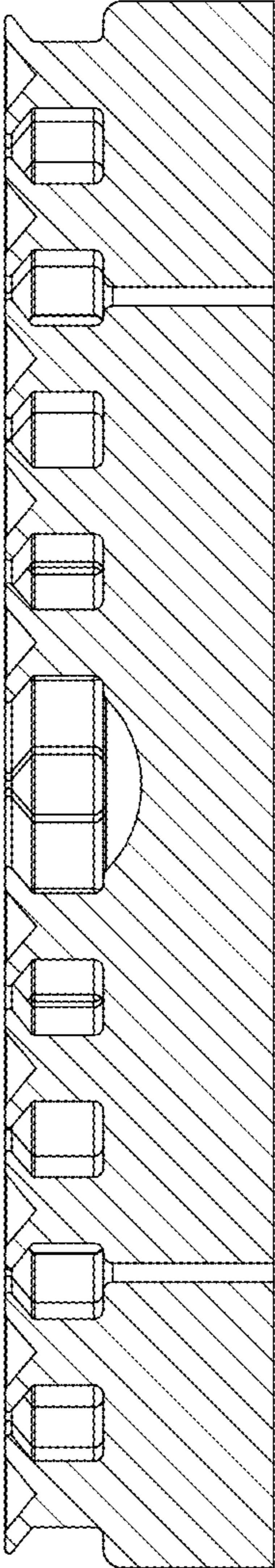


FIG. 6

FIG. 7



UNITED STATES PATENT AND TRADEMARK OFFICE
CERTIFICATE OF CORRECTION

PATENT NO. : D778,066 S
APPLICATION NO. : 29/536109
DATED : February 7, 2017
INVENTOR(S) : Dale G. Kern

Page 1 of 1

It is certified that error appears in the above-identified patent and that said Letters Patent is hereby corrected as shown below:

On the Title Page

<u>Column</u>	<u>Line</u>		<u>Should Be</u>
2	Description Line 1	“This application is related to U.S. Non-Provisional patent application Ser. 14/825,316, filed Aug. 13, 2015, each of which is incorporated by reference herein, in the entirety and for all purposes.”	--This application is related to U.S. Provisional patent application Ser. No. 62/036,785, filed Aug. 13, 2014, and U.S. Non-Provisional patent application Ser. 14/825,316, filed Aug. 13, 2015, each of which is incorporated by reference herein, in the entirety and for all purposes.--

Signed and Sealed this
Twenty-fifth Day of July, 2017



Joseph Matal
*Performing the Functions and Duties of the
Under Secretary of Commerce for Intellectual Property and
Director of the United States Patent and Trademark Office*