



US00D778063S

(12) **United States Design Patent** (10) **Patent No.:** **US D778,063 S**
Bisignano, Jr. (45) **Date of Patent:** **** Feb. 7, 2017**

(54) **PAINT EDGER WITH A REPLACEABLE APPLICATOR**

(71) Applicant: **Gary Gerard Bisignano, Jr.**,
Greenacres, FL (US)

(72) Inventor: **Gary Gerard Bisignano, Jr.**,
Greenacres, FL (US)

(**) Term: **14 Years**

(21) Appl. No.: **29/509,226**

(22) Filed: **Nov. 14, 2014**

(51) **LOC (10) Cl.** **04-01**

(52) **U.S. Cl.**
USPC **D4/122**

(58) **Field of Classification Search**
USPC D4/122, 138; 15/27, 104.001, 104.002,
15/230.11; 492/13, 16-19
CPC B05C 1/00; B05C 1/02; B05C 17/0205;
B44D 2/00
See application file for complete search history.

(56) **References Cited**

U.S. PATENT DOCUMENTS

2,658,218	A *	11/1953	Carreiro	A47L 13/12
					15/121
2,995,768	A *	8/1961	Skuratowicz	A45D 34/04
					401/146
D280,784	S *	10/1985	deVreeze	D4/122
D382,083	S *	8/1997	Skelton	D28/7
D482,202	S *	11/2003	Newman	D4/121

D485,941	S *	1/2004	Johnson	D28/7
D506,028	S *	6/2005	Dickey	D24/119
D612,155	S *	3/2010	Falkins	D4/102
D657,955	S *	4/2012	Morris	D4/122
D690,944	S *	10/2013	Lee	D4/122
D697,313	S *	1/2014	Yao	D4/122
D748,399	S *	2/2016	Lu	D4/118

* cited by examiner

Primary Examiner — Austin Murphy

(74) *Attorney, Agent, or Firm* — McHale & Slavin, P.A.

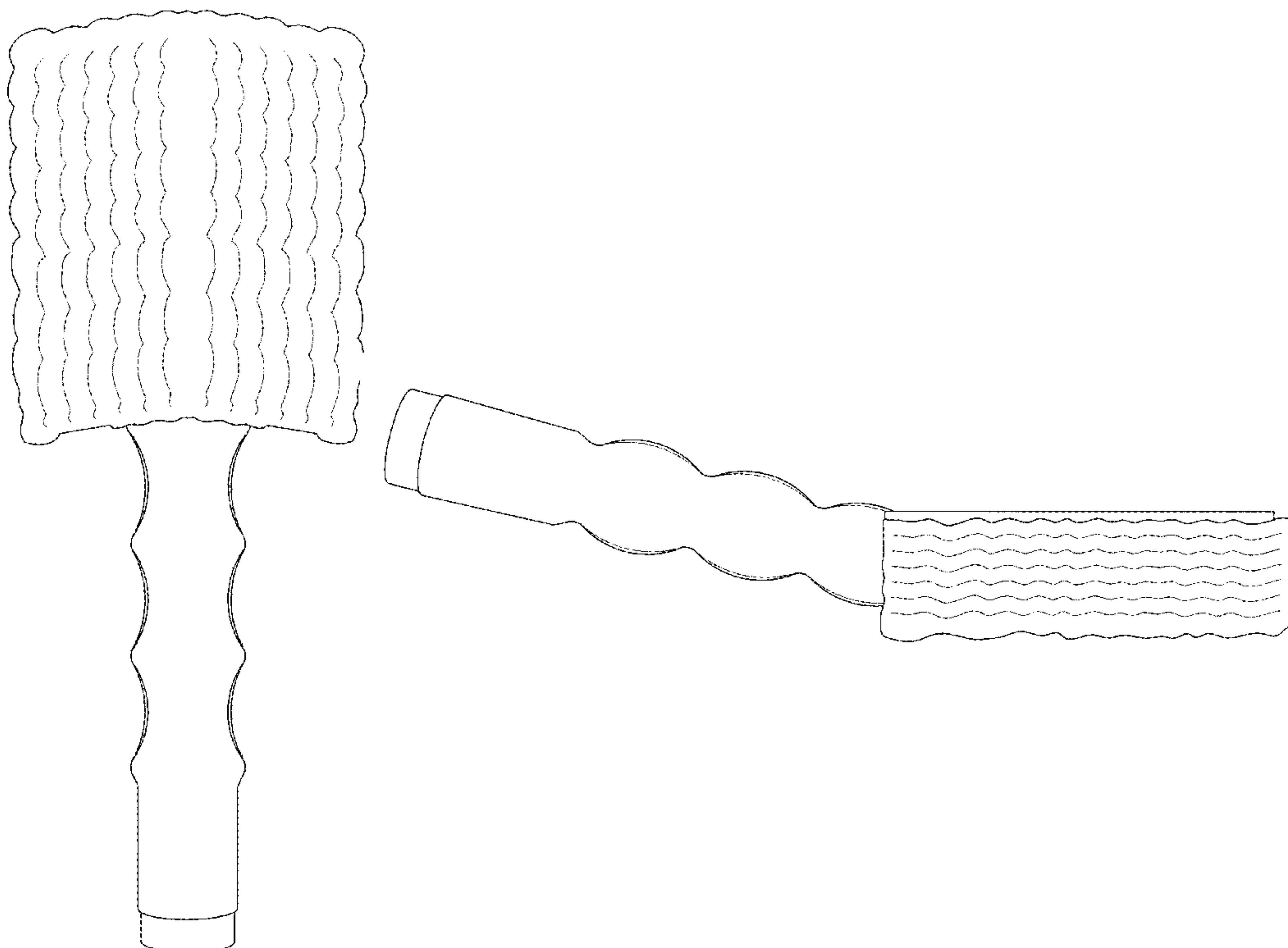
(57) **CLAIM**

The ornamental design for a paint edger with a replaceable applicator, as shown and described.

DESCRIPTION

FIG. 1 is a frontal perspective view of the paint edger with a replaceable applicator of the instant invention; FIG. 2 is a front view thereof; FIG. 3 is a back view thereof; FIG. 4 is a left side view thereof; FIG. 5 is a right side view thereof; FIG. 6 is a top end view thereof; FIG. 7 is a bottom end view thereof; FIG. 8 is a back view of the replaceable applicator with extended attachment tabs; FIG. 9 is an exploded back view of the replaceable applicator of FIG. 8 to be installed on a paint edger; and, FIG. 10 is a back view illustrating the replaceable applicator of FIG. 8 secured to the paint edger.

1 Claim, 10 Drawing Sheets



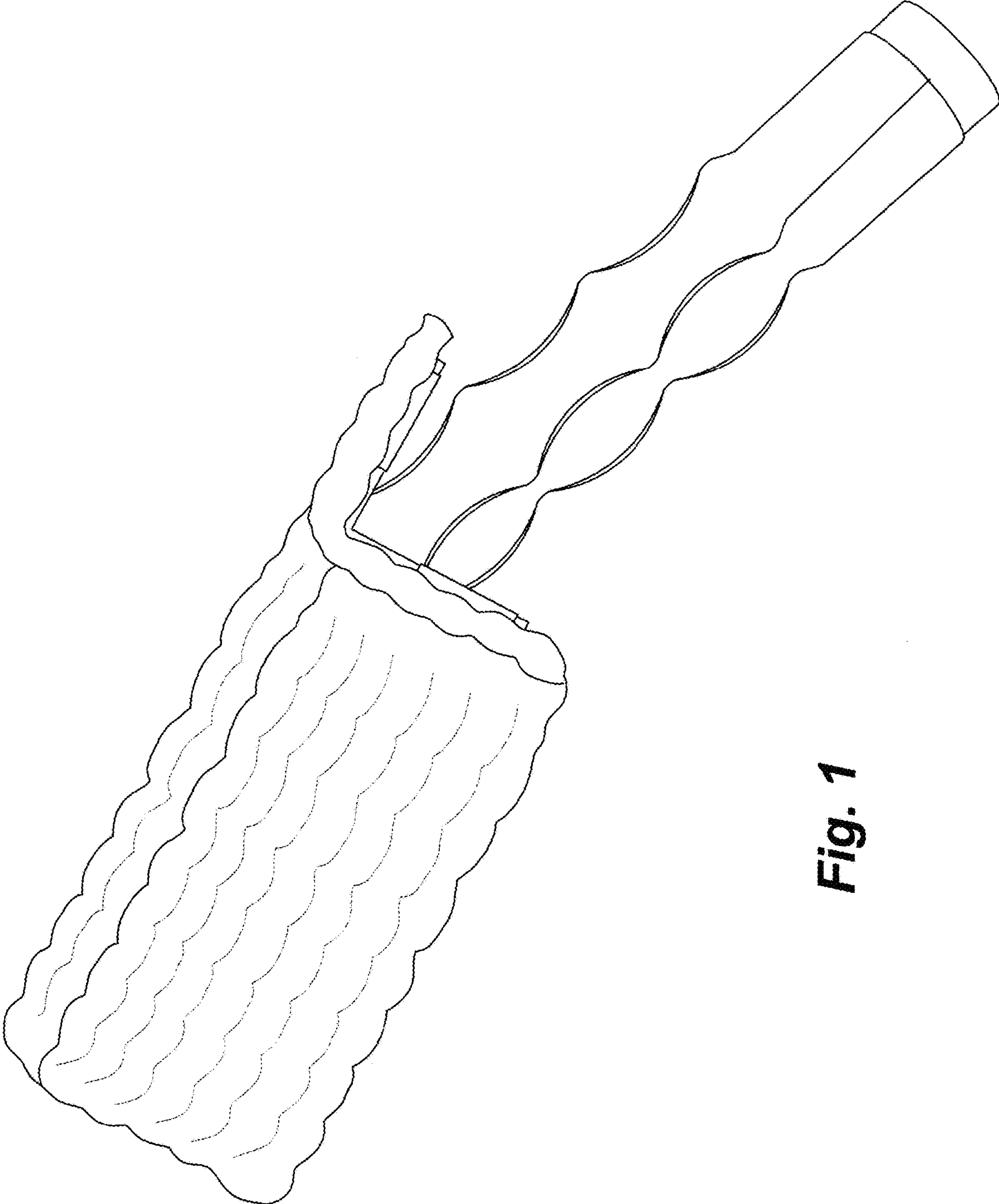


Fig. 1

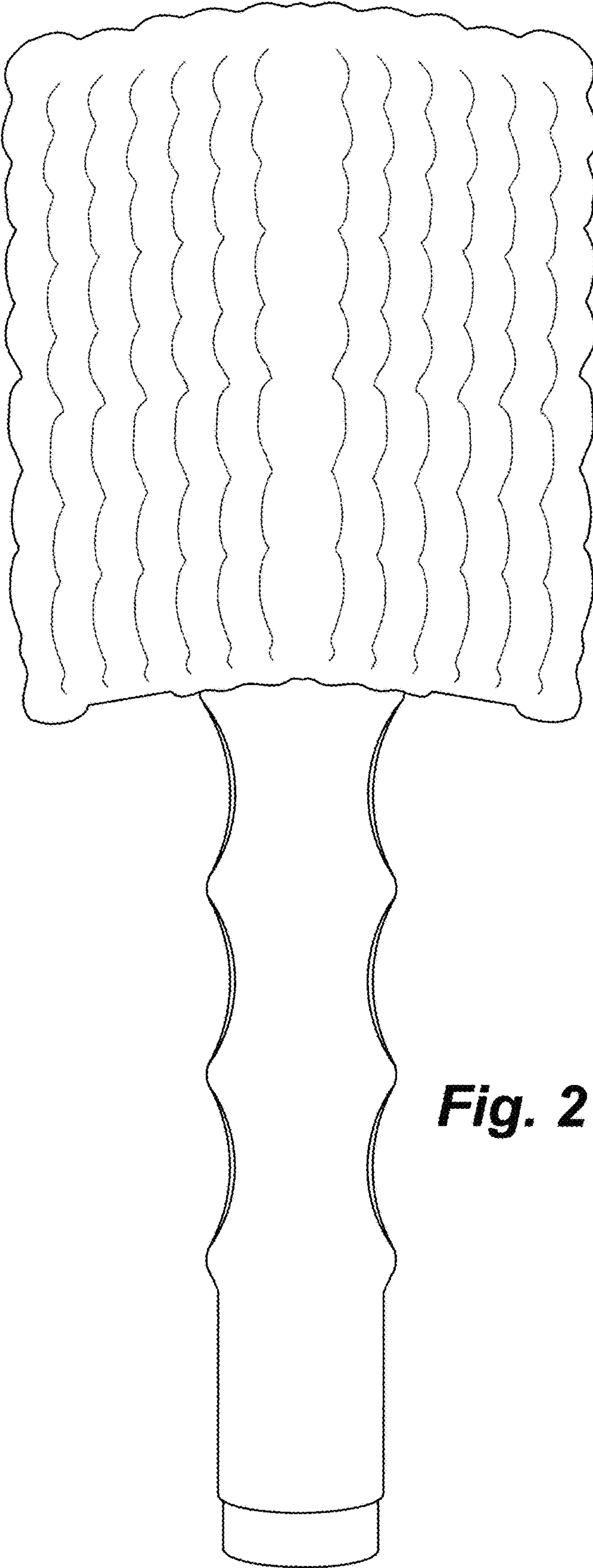


Fig. 2

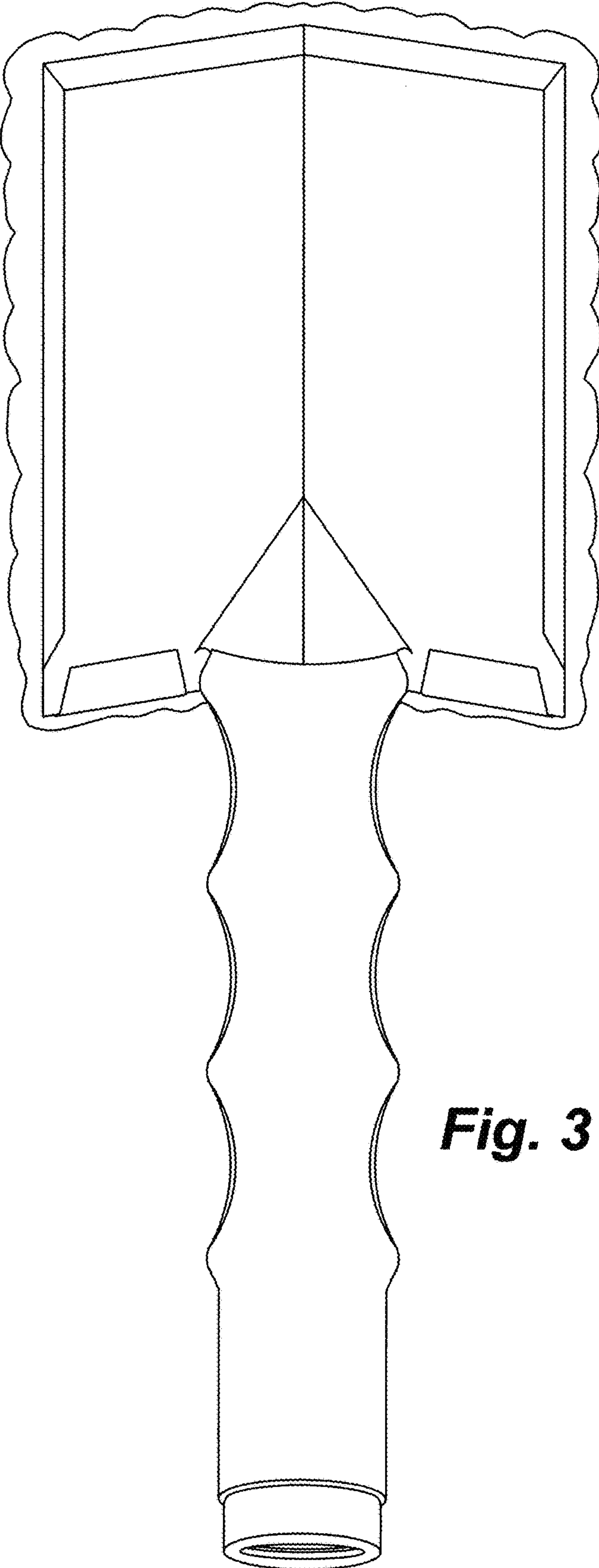


Fig. 3

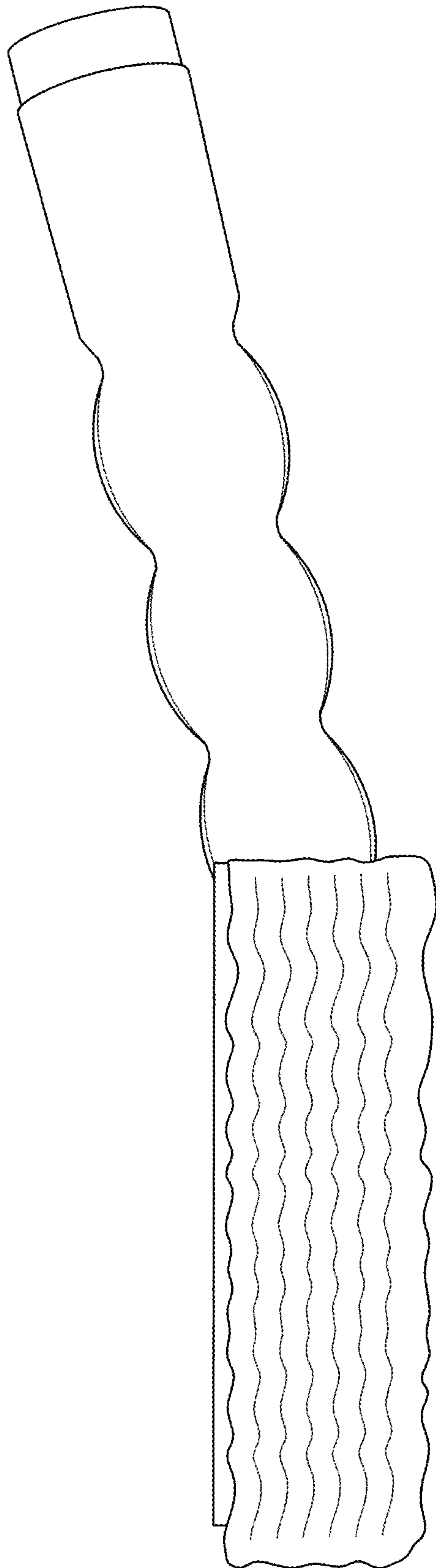


Fig. 4

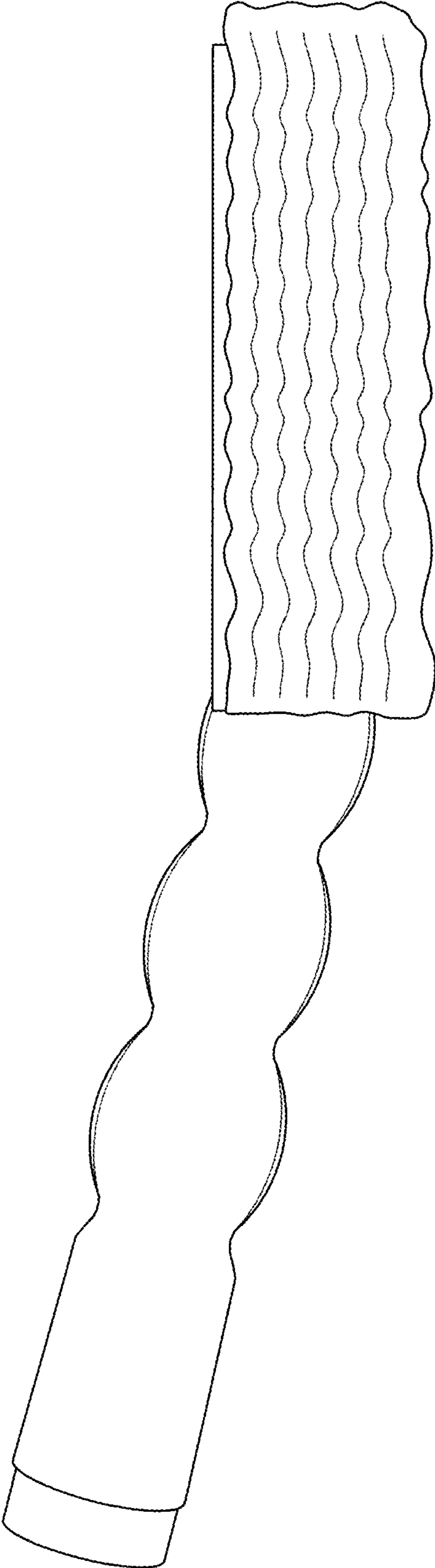


Fig. 5

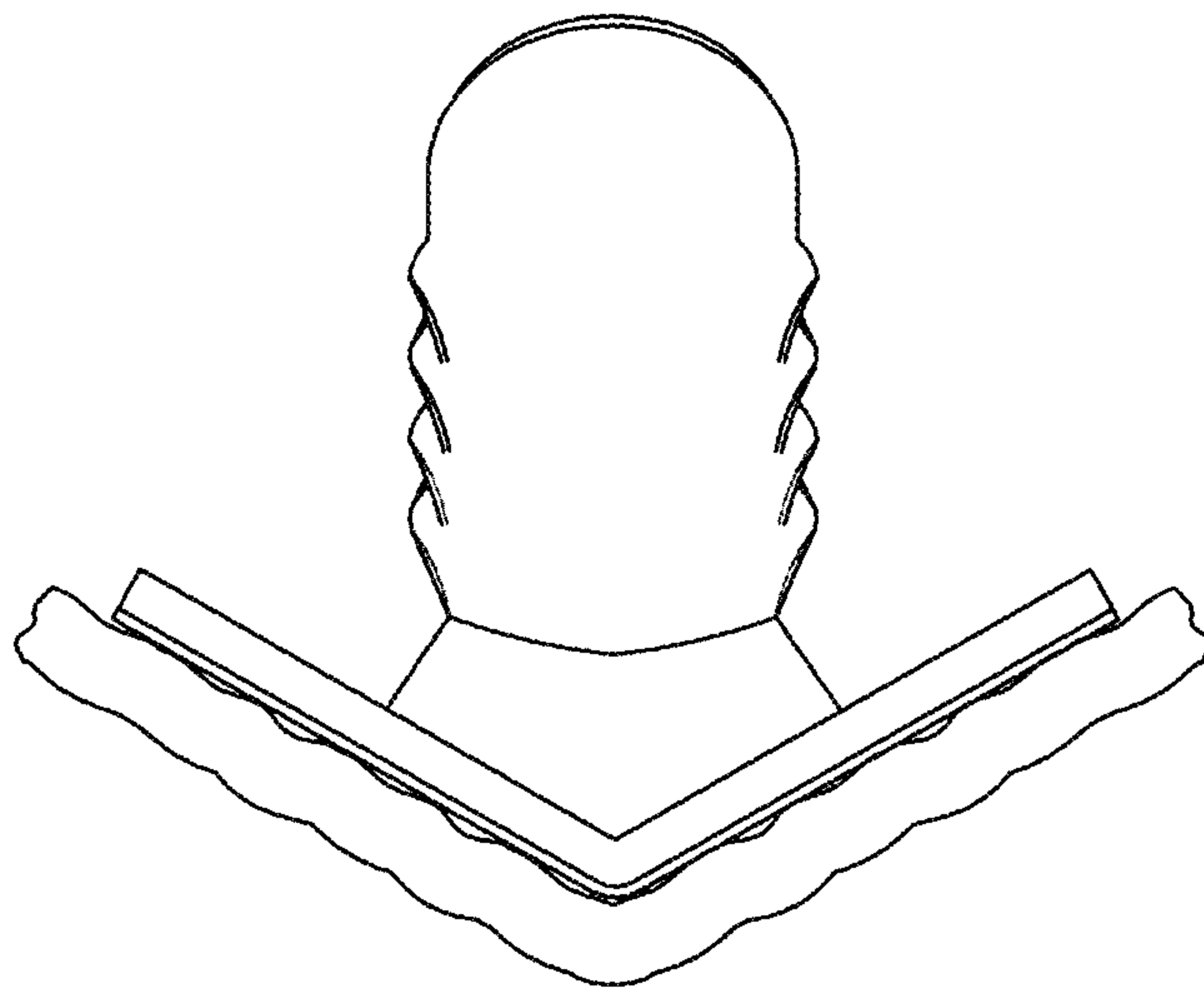


Fig. 6

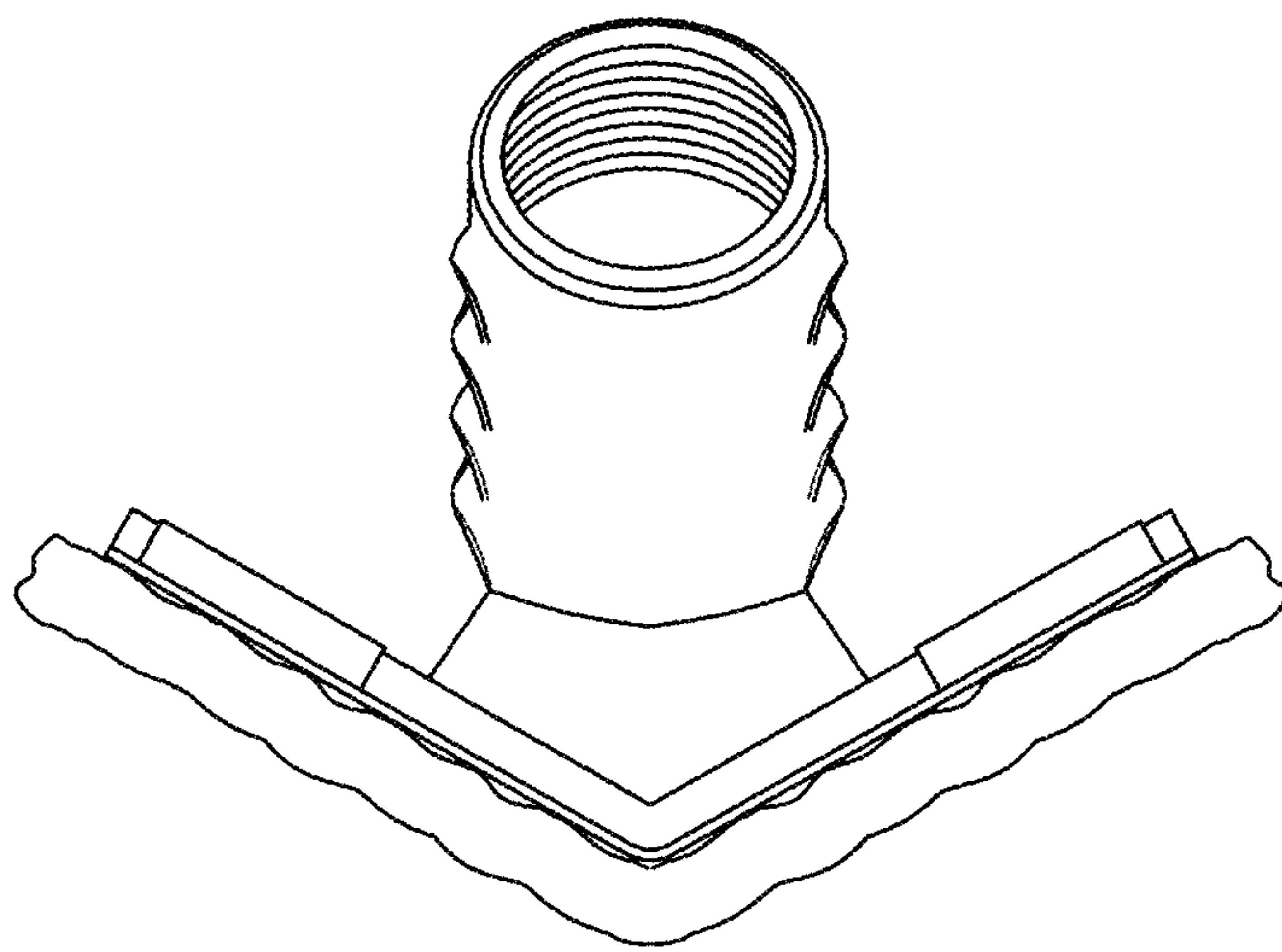


Fig. 7

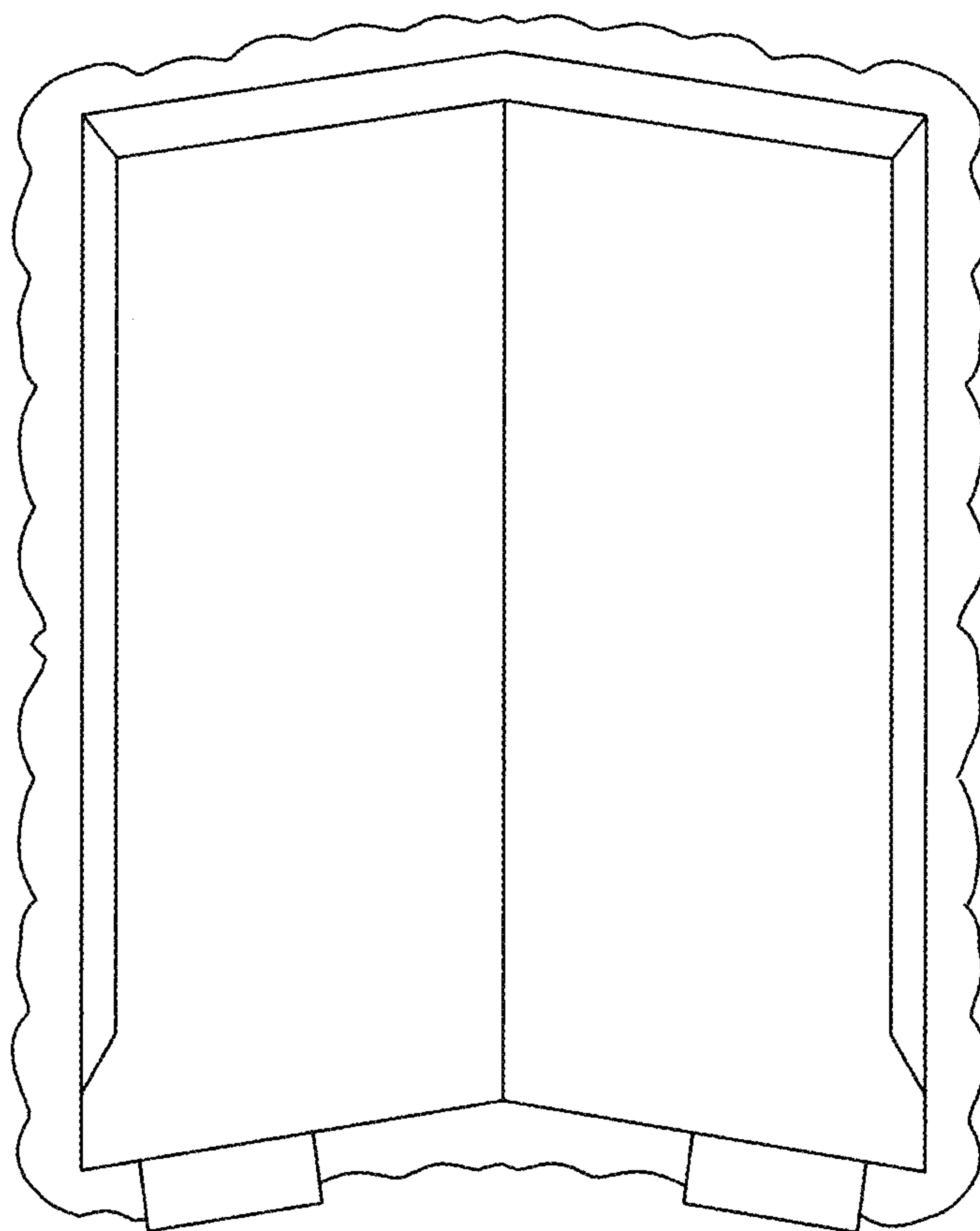


Fig. 8

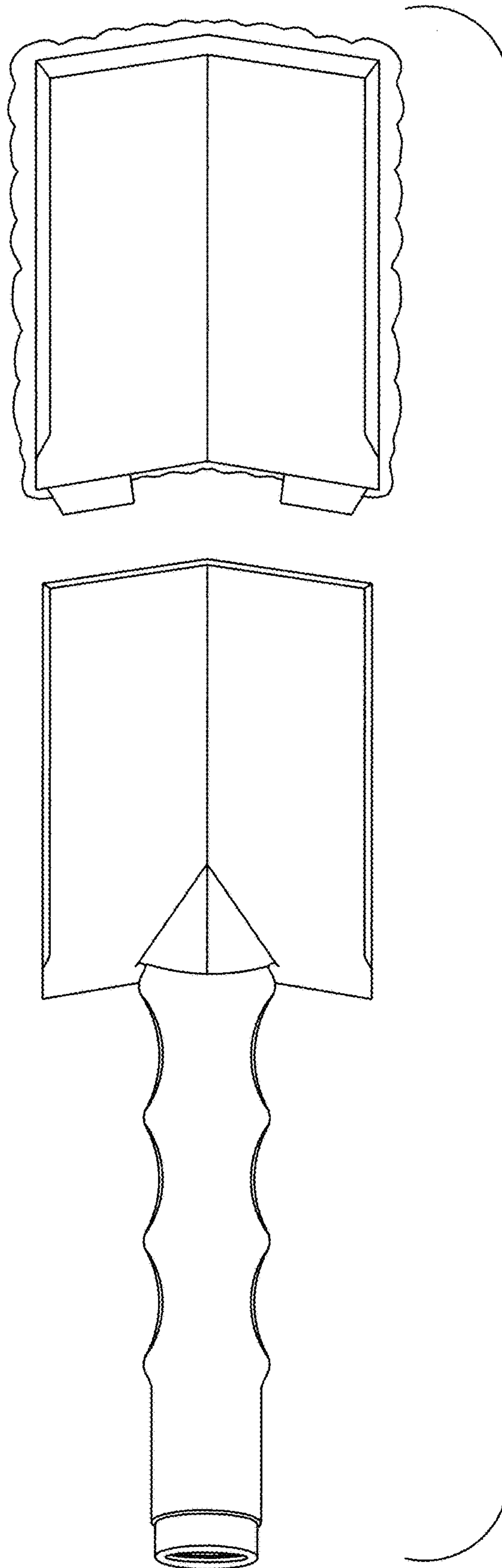


Fig. 9

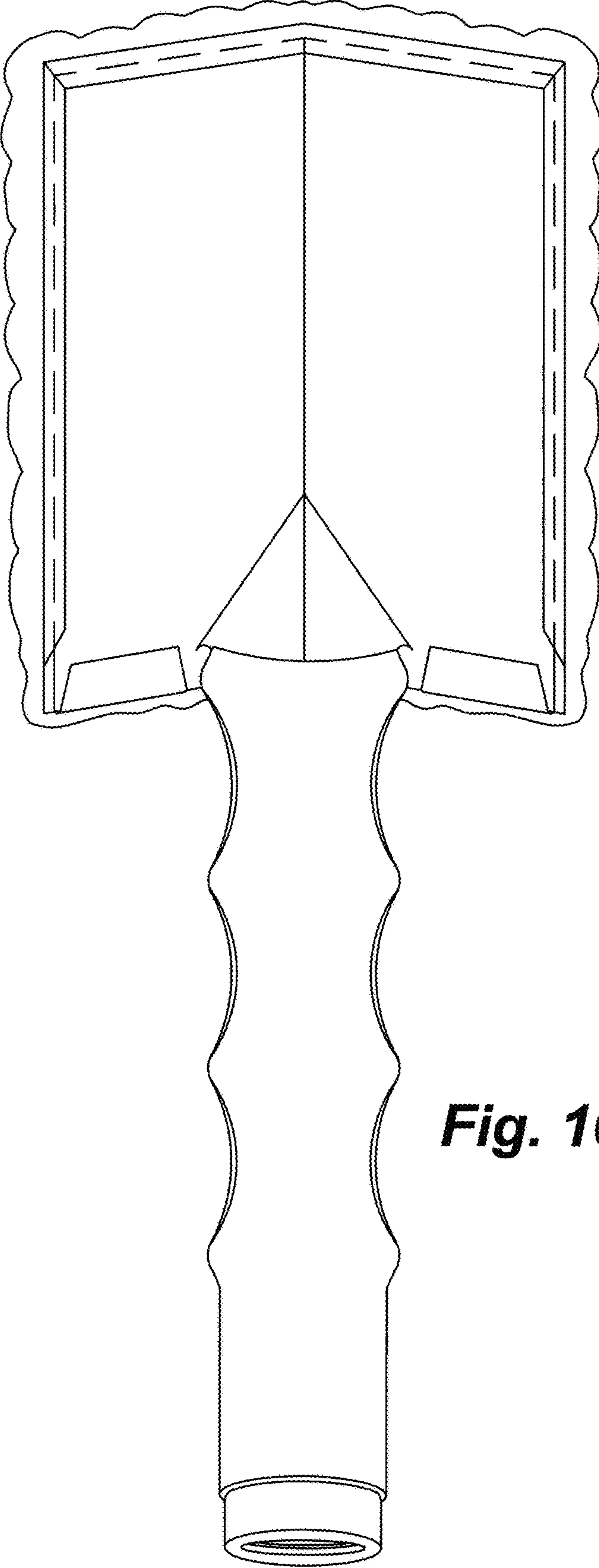


Fig. 10