



US00D778060S

(12) **United States Design Patent**
Finkel et al.

(10) **Patent No.:** **US D778,060 S**
(45) **Date of Patent:** **** Feb. 7, 2017**

(54) **TOOTHBRUSH WITH DENTAL FLOSS DISPENSER**

(71) Applicant: **FINKELFLOSS LTD.**, Herzelia (IL)

(72) Inventors: **Itzhak Finkel**, Herzelia (IL); **Elad Etingold**, Tel Mond (IL); **Arthur Visokowski**, Yavne (IL)

(73) Assignee: **FINKELFLOSS LTD.**, Herzelia (IL)

(**) Term: **14 Years**

(21) Appl. No.: **29/518,655**

(22) Filed: **Feb. 26, 2015**

(30) **Foreign Application Priority Data**

Aug. 26, 2014 (IL) 55965

(51) **LOC (10) Cl.** **04-02**

(52) **U.S. Cl.**
USPC **D4/108**

(58) **Field of Classification Search**

USPC D4/107, 124-126, 104, 101, 108, D4/110-113, 116, 120, 132-135, 138, D4/199, 105, 106, 118, 121; 15/143.1, 15/167.1, 167.2, 110, 111, 176.1-176.6, 15/184, 159.1, 160, 207.2, DIG. 5, 15/DIG. 6, 188, 105, 104.94; D11/95, D11/131, 164, 200, 222, 228-232, 40-48, D11/76, 79-81, 86; 132/308-311, 132/323-325, 328; 601/139-142, 80, 601/136; 606/161; D24/146, 147, 152, D24/176, 154; D7/393, 395, 401.2, 392; D99/17, 21, 22, 25, 43, 99; D21/713; D2/955, 954, 951, 953, 956, 952, 961; 32/308-311; 16/430, 902, DIG. 12, 16/DIG. 18, DIG. 19, 431; D8/107; D28/45, 46, 48, 65, 66, 68; 206/369, 206/362.3
CPC A46B 5/02; A46B 5/023; A46B 5/025; A46B 5/026; A46B 5/00; A46B 5/0004; A46B 5/0054; A46B 5/0079; A46B

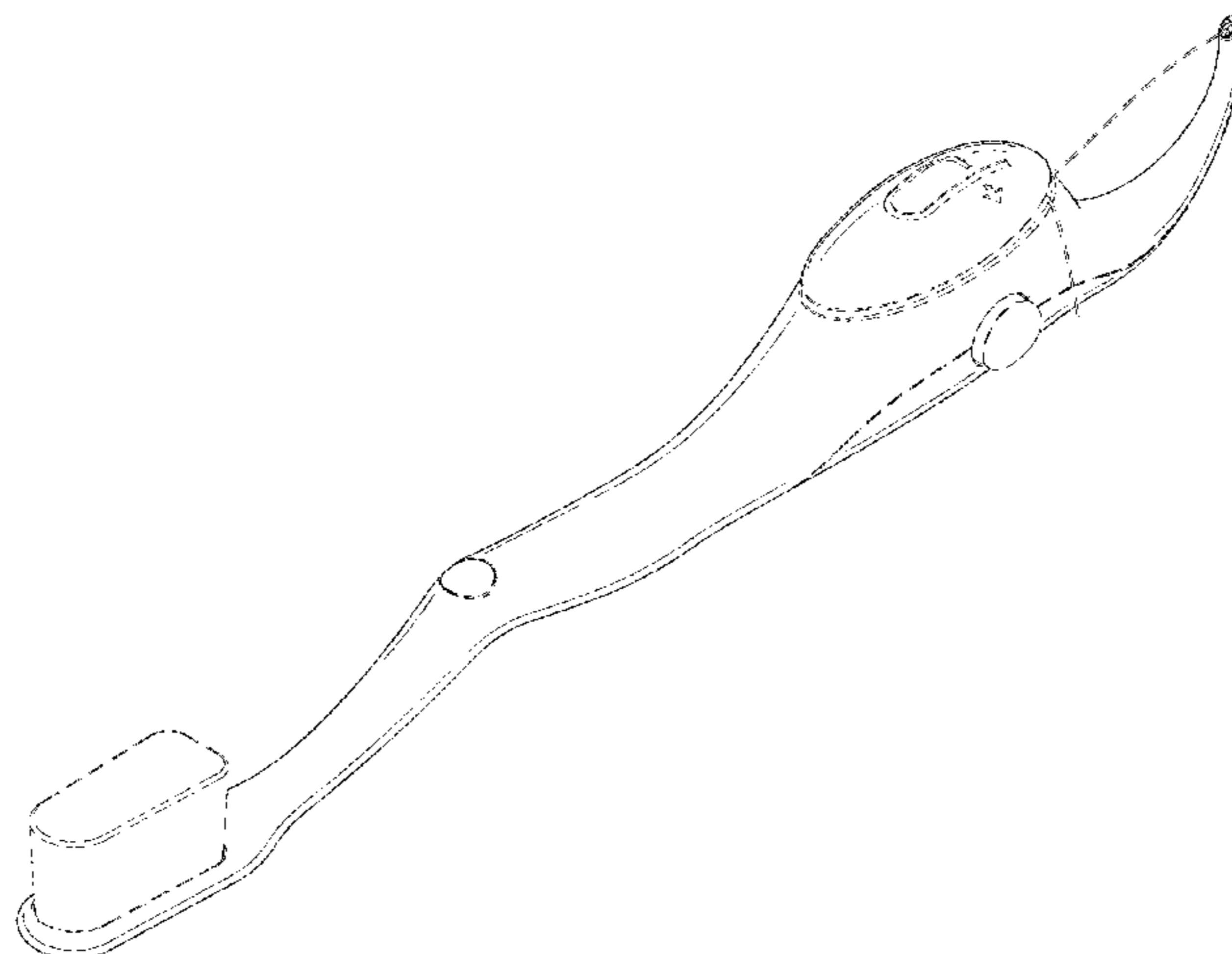
5/0095; A46B 5/021; A46B 5/04; A46B 5/003; A46B 13/00; A46B 13/02; A46B 9/04; A46B 9/045; A46B 9/005; A46B 9/02; A46B 9/00; A46B 15/0087; A46B 15/0055; A46B 15/0081; A46B 15/0071; A46B 15/0089; A46B 15/0097; A46B 15/0069; A46B 15/0073; A46B 2200/1066; A46B 2200/1073; A46B 2200/1086; A46B 2200/1026; A46B 2200/108; A46B 2200/01; A46B 17/04; A46B 3/22; A46B 7/04; A46B 7/042; A61C 17/00; A61C 17/0202; A61C 17/16; A61C 17/20; A61C 17/22; A61C 17/222; A61C 17/225; A61C 17/26; A61C 17/34; A61C 15/048; A61C 15/00; A61C 15/04; A61C 15/043; A61C 15/046; A45D 44/18; A46D 1/10; B65D 75/30

See application file for complete search history.

(56) **References Cited**

U.S. PATENT DOCUMENTS

301,055 A * 6/1884 Greene A61C 15/046 132/309
736,650 A * 8/1903 Storms, Jr. A46B 15/0071 132/309
893,345 A * 7/1908 Monson A61C 15/046 132/309
1,475,789 A * 11/1923 Buckley A46B 15/0071 132/309
1,488,214 A * 3/1924 Mason A46B 15/0071 132/309
1,537,853 A * 5/1925 Mason A46B 15/0071 132/309
1,656,823 A * 1/1928 Katz A46B 15/0071 132/309
1,658,706 A * 2/1928 Carrott A61C 15/02 132/309
1,784,986 A * 12/1930 Eisenberg A46B 15/0055 132/309
1,792,429 A * 2/1931 Klinger A46B 15/0071 132/309
1,820,439 A * 8/1931 Church A46B 15/0071 132/309
1,847,495 A * 3/1932 Priest A46B 5/0095 132/309



2006/0048790 A1* 3/2006 Petner A46B 11/002
132/309
2007/0131241 A1* 6/2007 Nanda A46B 15/0002
132/311
2008/0149134 A1* 6/2008 Crossman A61C 15/046
132/324
2008/0250591 A1* 10/2008 Nanda A46B 15/0002
15/167.1
2008/0276398 A1* 11/2008 Nanda A46B 15/0002
15/167.1
2009/0070947 A1* 3/2009 Baertschi A46B 15/0075
15/22.1
2009/0144920 A1* 6/2009 Nanda A46B 15/0002
15/105
2009/0165814 A1* 7/2009 Welt A46B 5/0075
132/323
2010/0147326 A1* 6/2010 Kang A46B 15/0071
132/323
2010/0186182 A1* 7/2010 Avila A46B 15/0071
15/167.1
2010/0269280 A1* 10/2010 Thomas A46B 15/0055
15/167.1
2011/0132392 A1* 6/2011 Crisp A46B 15/0055
132/309
2011/0232012 A1* 9/2011 Nanda A46B 15/0002
15/22.1
2012/0042896 A1* 2/2012 Martin A46B 9/04
132/309
2012/0204898 A1* 8/2012 Haley A46B 11/0003
132/309
2013/0000658 A1* 1/2013 Nguyen A46B 15/0071
132/200
2013/0220363 A1* 8/2013 Zarrabi A46B 15/0055
132/309
2014/0007899 A1* 1/2014 Berry A61C 15/00
132/309
2014/0196743 A1* 7/2014 Chen A61C 15/046
132/325
2014/0311521 A1* 10/2014 Mourra A61C 15/046
132/309
2015/0027488 A1* 1/2015 Charles Ray A46B 15/0071
132/309

2015/0335145 A1* 11/2015 Bloch A46B 15/0004
15/22.1
2015/0366335 A1* 12/2015 Rusznak A61C 15/046
132/309
2016/0157973 A1* 6/2016 Greco A61C 15/048
132/309
2016/0166365 A1* 6/2016 Ninh A61C 15/048
132/309

FOREIGN PATENT DOCUMENTS

IL 198428 11/2013

* cited by examiner

Primary Examiner — Susan Moon Lee
(74) *Attorney, Agent, or Firm* — A.C. Entis-IP Ltd.

(57) **CLAIM**

We claim the ornamental design for a toothbrush with dental floss dispenser, as shown and described.

DESCRIPTION

FIG. 1 is a top perspective view of a toothbrush with dental floss dispenser, showing our new design;
FIG. 2 is a bottom perspective view thereof;
FIG. 3 is a front view thereof;
FIG. 4 is a rear view thereof;
FIG. 5 is a side view thereof;
FIG. 6 is an opposite side view thereof;
FIG. 7 is a top view thereof; and,
FIG. 8 is a bottom view thereof.
The elements in FIGS. 1-8 shown in broken lines are for illustrative purposes only and do not form a part of the claimed design.

1 Claim, 5 Drawing Sheets

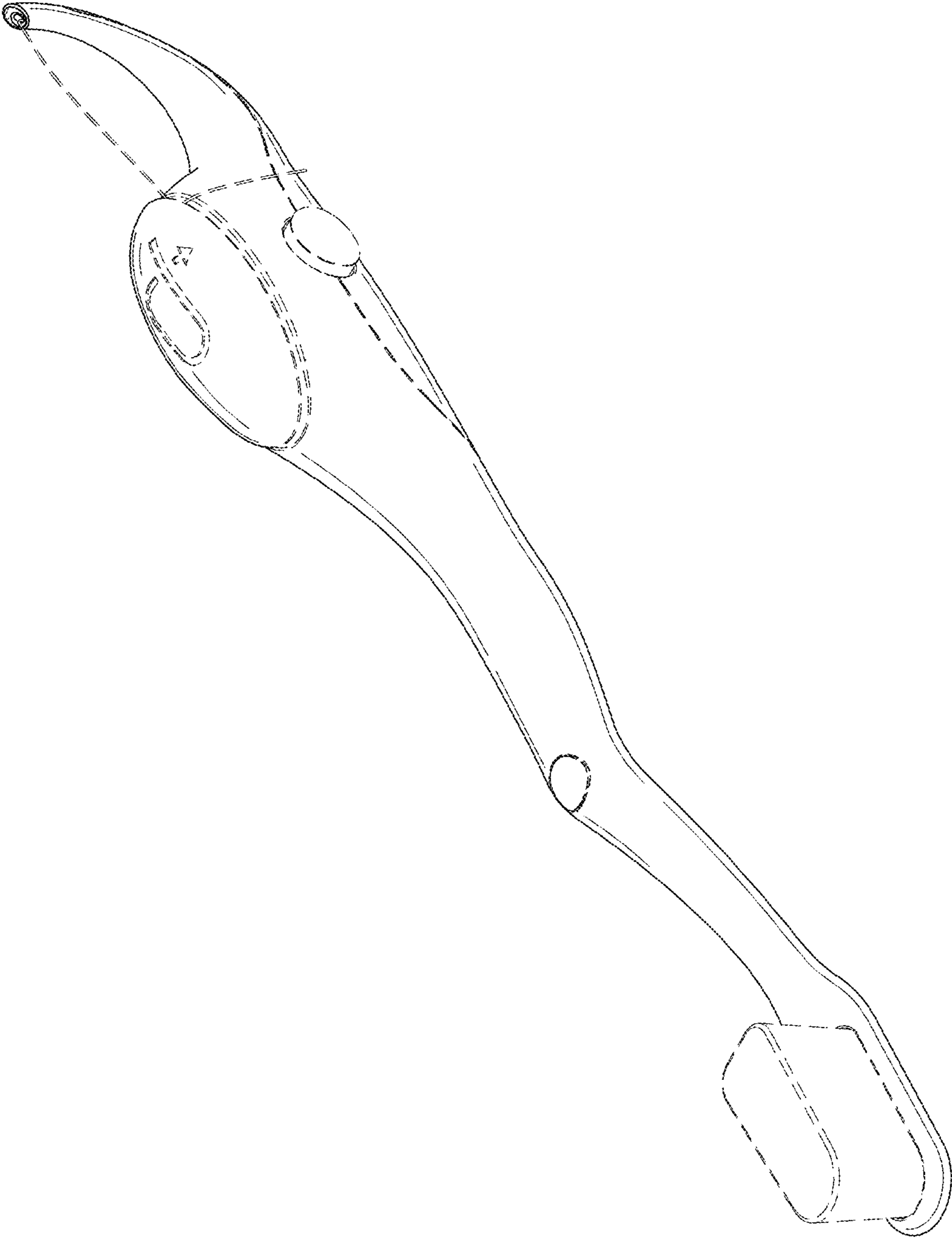


FIG.1

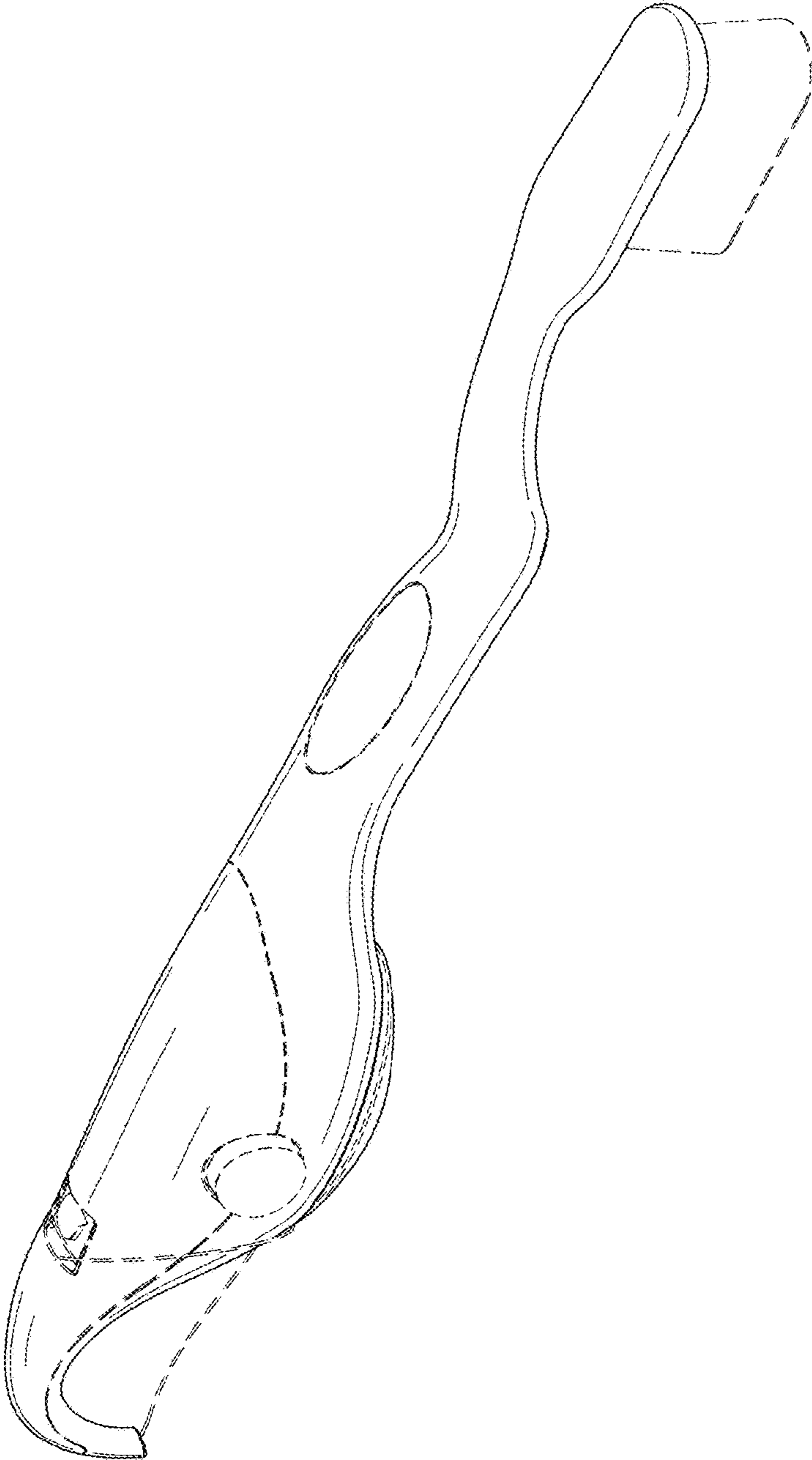


FIG. 2

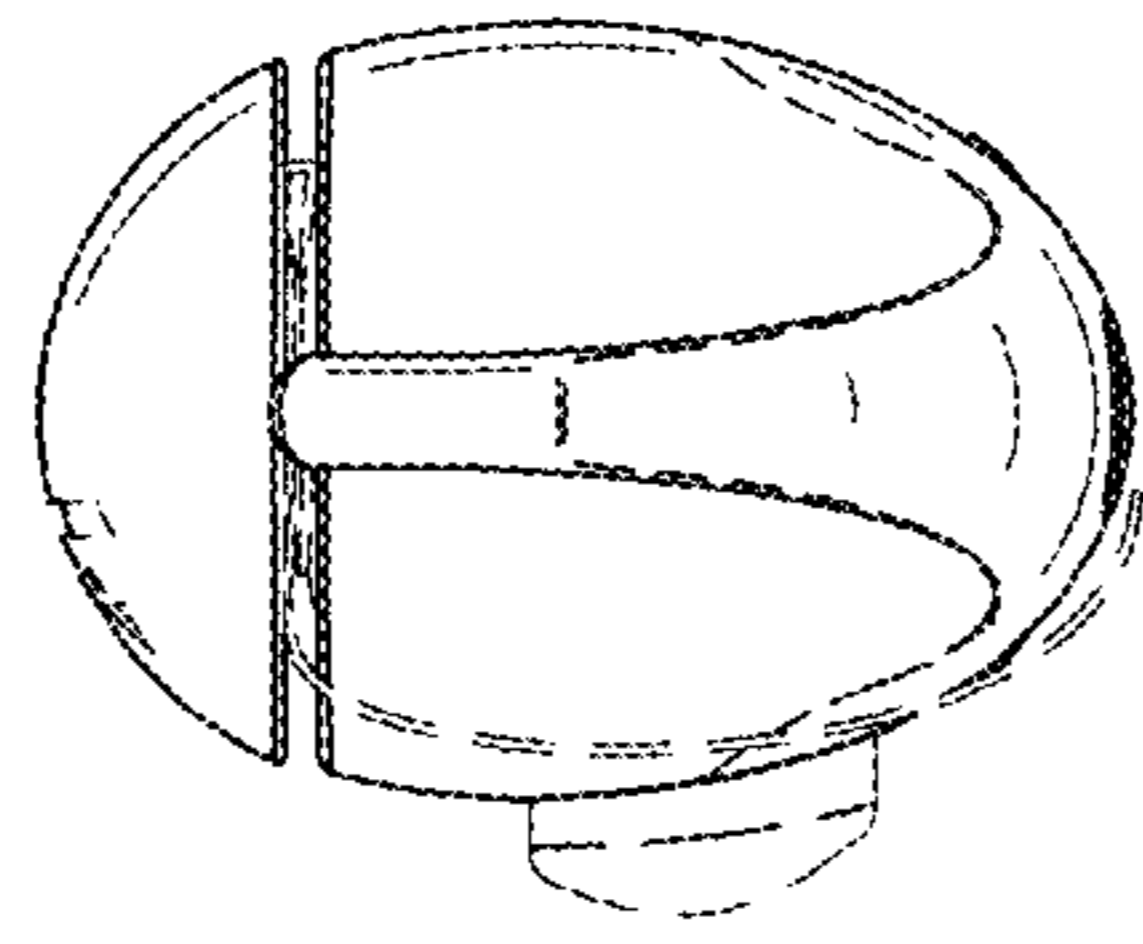


FIG. 4

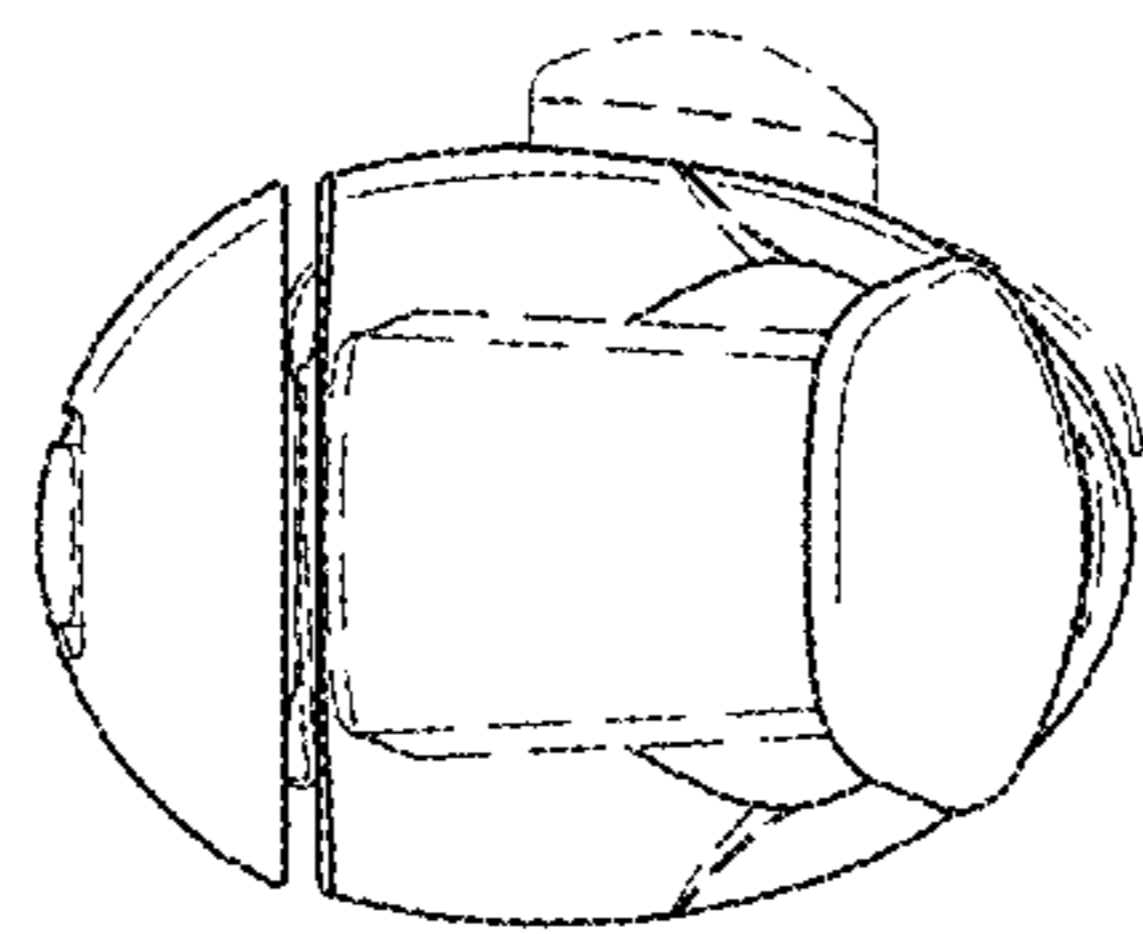


FIG. 3

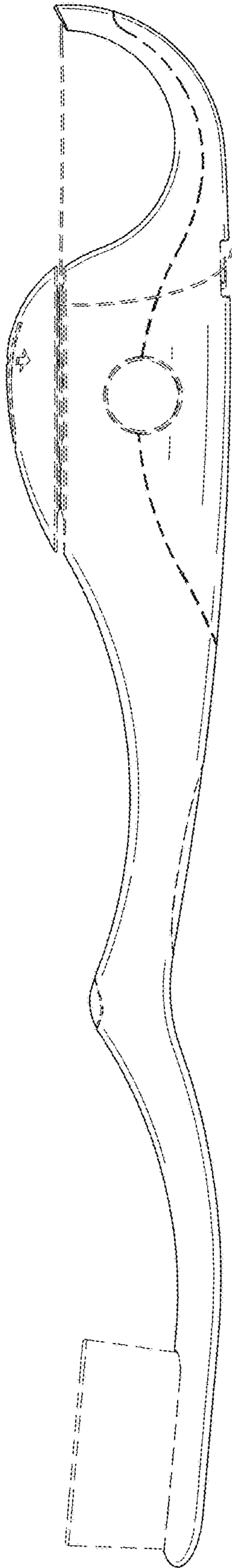


FIG. 5

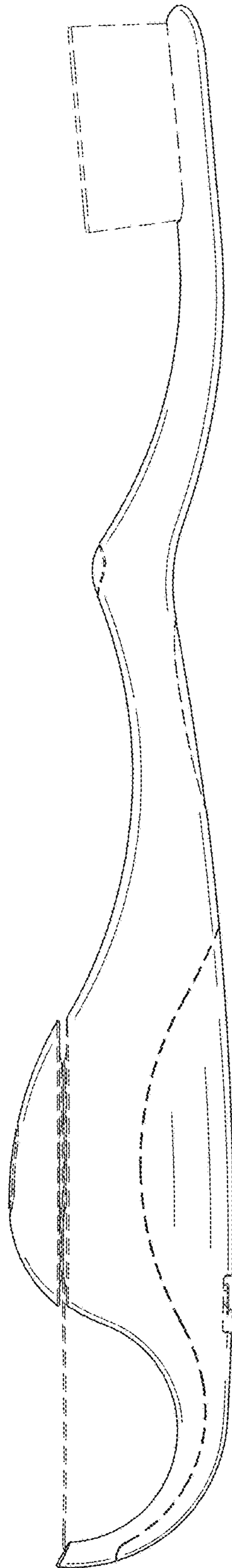


FIG. 6

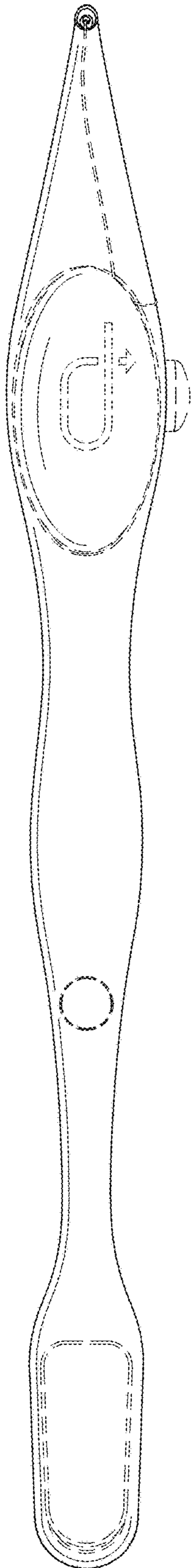


FIG. 7

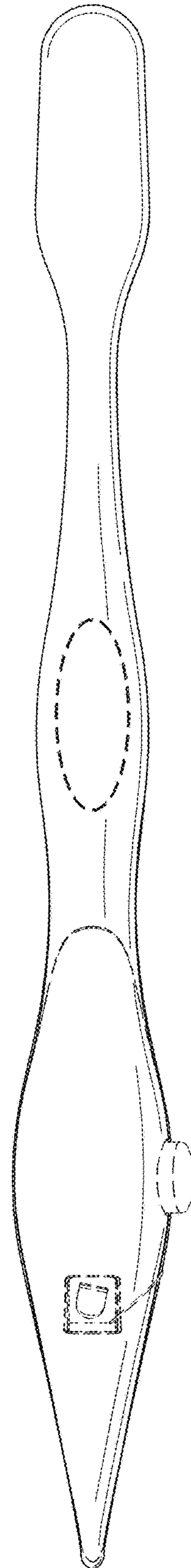


FIG. 8