



US00D778057S

(12) **United States Design Patent** (10) **Patent No.:** **US D778,057 S**  
**Sohn** (45) **Date of Patent:** **\*\* Feb. 7, 2017**

(54) **BATTERY POWERED TOOTHBRUSH WITH CYLINDRICAL BRUSH**

(71) Applicant: **Jae Hoon Sohn**, Incheon Metropolitan (KR)

(72) Inventor: **Jae Hoon Sohn**, Incheon Metropolitan (KR)

(73) Assignee: **Onestar International Company, Ltd.**, Incheon (KR)

(\*\*) Term: **15 Years**

(21) Appl. No.: **29/550,677**

(22) Filed: **Jan. 6, 2016**

(51) **LOC (10) Cl.** ..... **04-02**

(52) **U.S. Cl.**  
USPC ..... **D4/101**

(58) **Field of Classification Search**  
USPC ..... D4/100, 104, 110, 116, 119, 121, 127, D4/129, 130, 136, 137, 138, 101, 102  
CPC ..... A46B 15/0081; A46B 2200/1026; A46B 3/22; A46B 9/005; A46B 9/026; A46B 9/06  
See application file for complete search history.

(56) **References Cited**

**U.S. PATENT DOCUMENTS**

1,022,139	A	4/1912	Horn	
D232,278	S	8/1974	Gallo	
4,163,300	A	8/1979	Quint	
4,344,202	A	8/1982	Hayat	
4,603,448	A	8/1986	Middleton	
D294,885	S *	3/1988	Mollenhoff	15/23
5,035,020	A	7/1991	Winiewski	
D321,287	S	11/1991	Woll	
D333,919	S *	3/1993	Perry	D4/108
5,339,479	A *	8/1994	Lyman	A46B 5/0095
				15/105
D366,960	S *	2/1996	Crimi	D4/104

5,544,383	A	8/1996	Gamble	
D373,903	S *	9/1996	Stutzer	D4/101
D402,811	S *	12/1998	Stansbury, Jr.	D4/101
D424,303	S	5/2000	Tobias	
6,170,107	B1	1/2001	George	
D452,615	S	1/2002	Cheong	
D455,012	S	4/2002	Perez	
D476,156	S	6/2003	Ferber	
6,582,224	B1	6/2003	Lilien	
D489,534	S *	5/2004	Hensel	D4/101
D515,816	S *	2/2006	Jimenez	D4/101
D628,809	S *	12/2010	Daniel	D4/108

(Continued)

**OTHER PUBLICATIONS**

Vivatec 360 Degree Toothbrush for Baby / Kid, [online], [site visited Nov. 17, 2016]. Available from Internet, <URL: <http://www.tradekorea.com/product/detail/P481386/VIVATEC-360-Degree-Toothbrush-for-Baby---Kid.html>>.\*

(Continued)

*Primary Examiner* — Karen S Acker  
*Assistant Examiner* — Katrina Gonzalez  
(74) *Attorney, Agent, or Firm* — Robert J. Lauson; Lauson & Tarver LLP

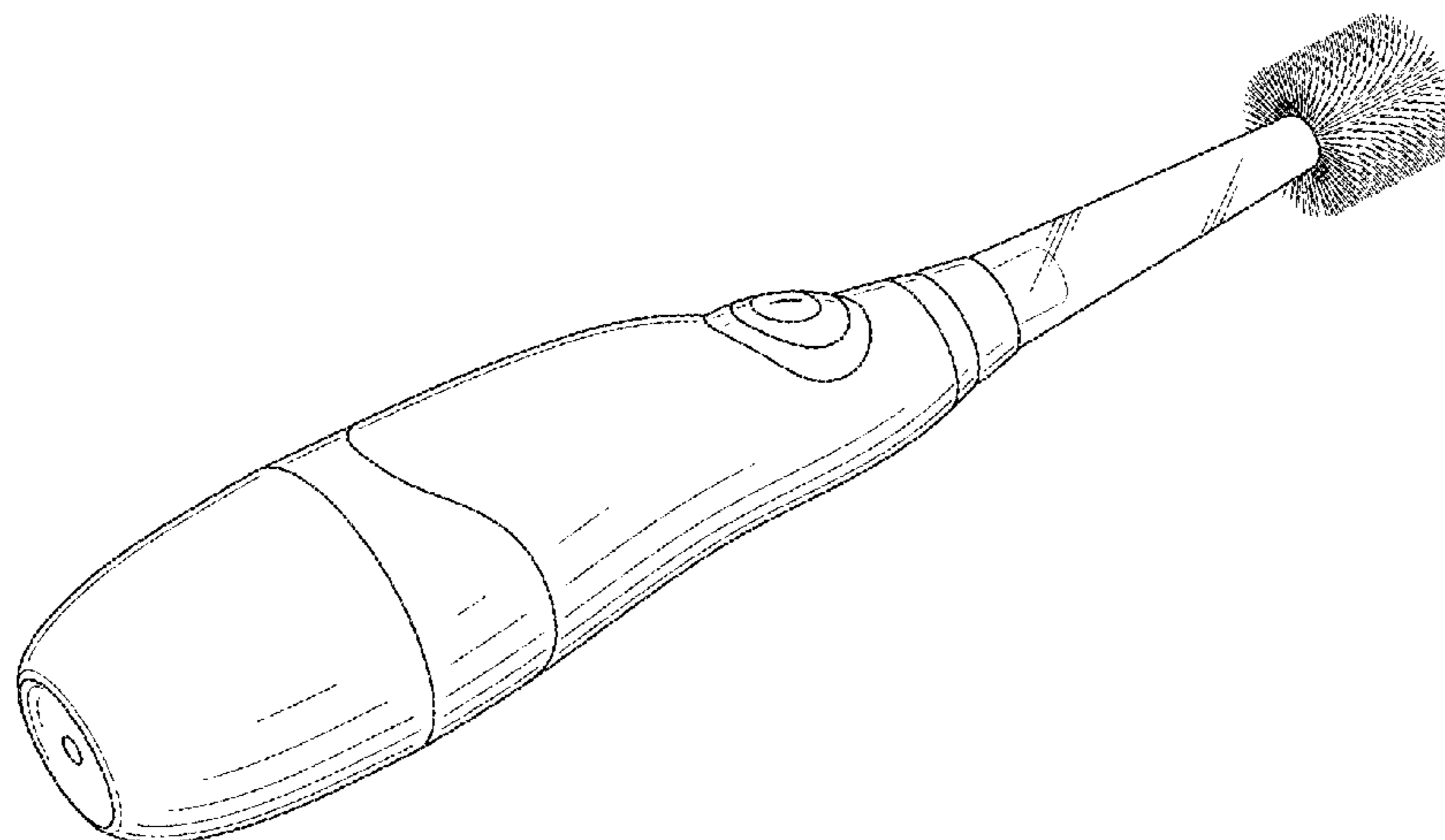
(57) **CLAIM**

I claim the ornamental design for a battery powered toothbrush with cylindrical brush, as shown and described.

**DESCRIPTION**

FIG. 1 is a perspective view of the battery powered toothbrush with cylindrical brush.  
FIG. 2 is a bottom view thereof.  
FIG. 3 is a top view thereof.  
FIG. 4 is a right side view thereof, the left side being a mirror image.  
FIG. 5 is a front view thereof; and,  
FIG. 6 is a rear view thereof.

**1 Claim, 2 Drawing Sheets**



(56)

**References Cited**

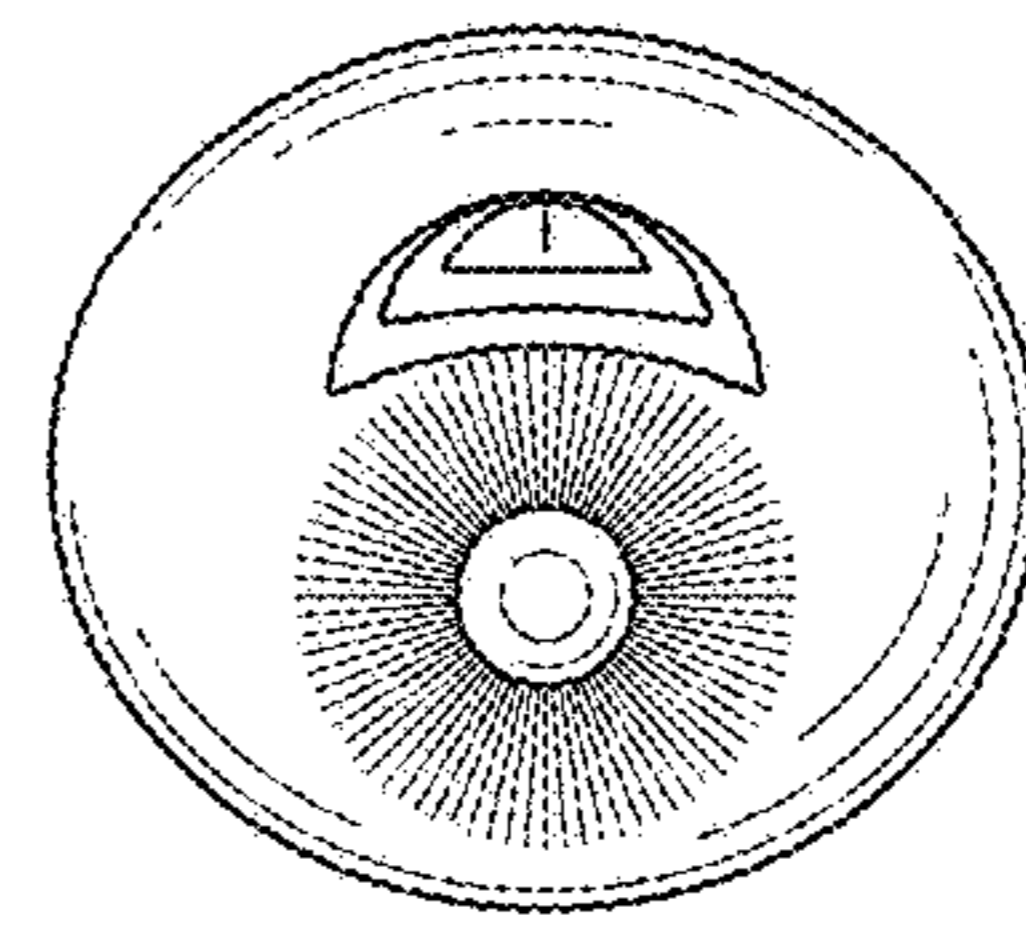
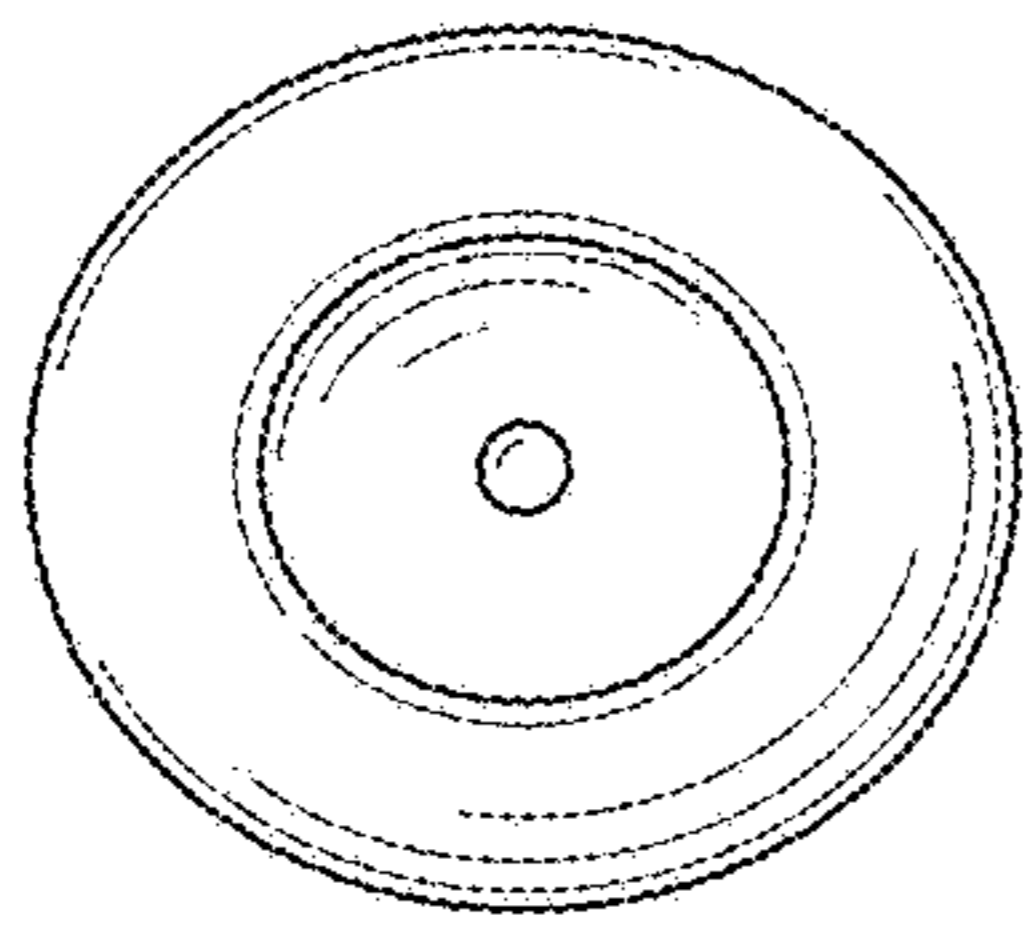
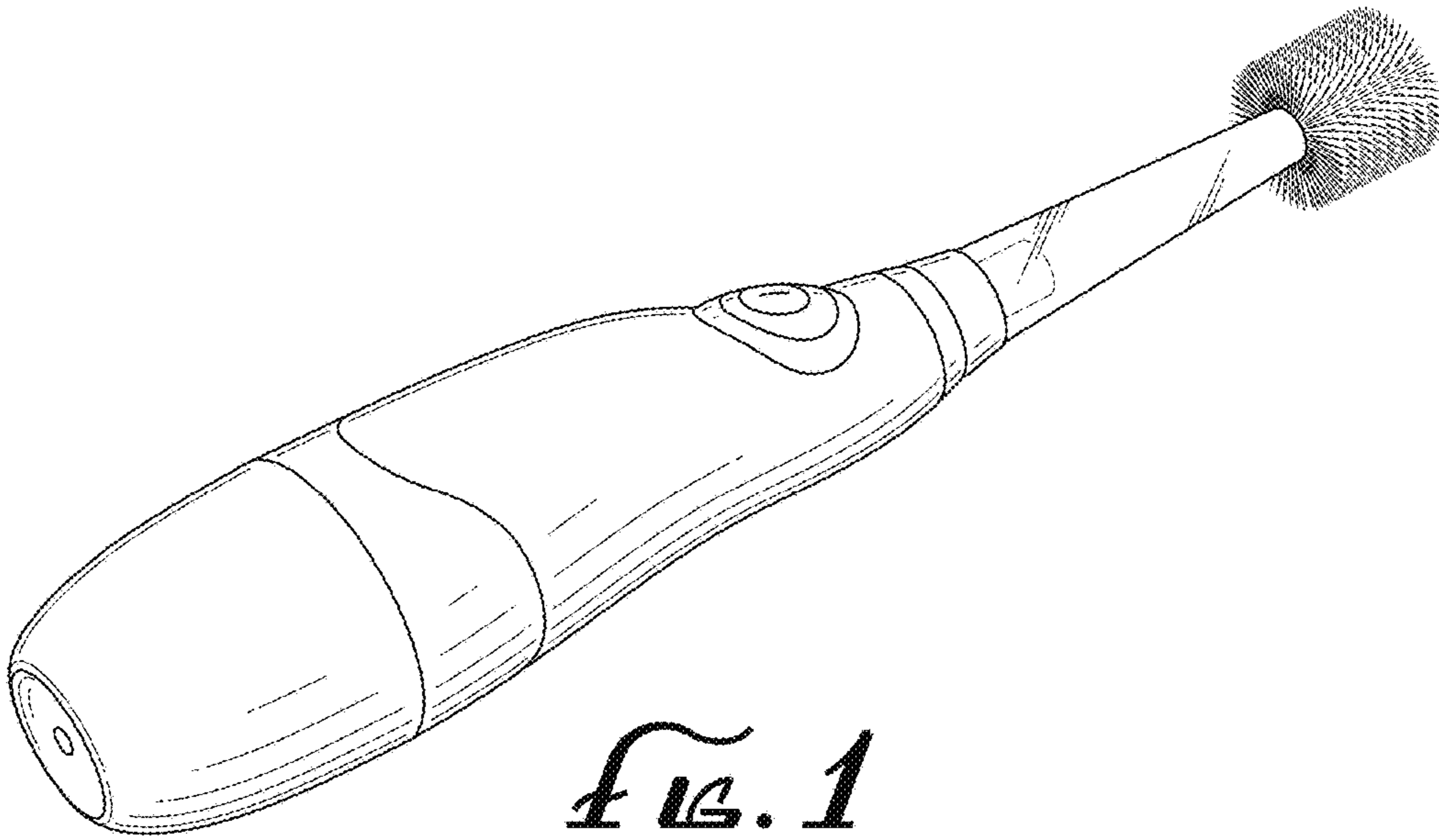
U.S. PATENT DOCUMENTS

7,992,246	B2	8/2011	Takeuchi	
D658,382	S *	5/2012	Heil .....	D4/101
D687,226	S	8/2013	Doumoto	
D687,227	S *	8/2013	Hill .....	D4/101
D689,697	S	9/2013	Doumoto	
D694,524	S *	12/2013	Erskine-Smith .....	D4/104
D696,517	S *	12/2013	Gebski .....	D4/101
D702,947	S	4/2014	Lee	
D743,173	S *	11/2015	Sohn .....	D4/101
D751,821	S *	3/2016	Since .....	D4/101
D758,736	S *	6/2016	Shigeno .....	D4/101
D759,381	S *	6/2016	Watkins .....	D4/101
2007/0277338	A1 *	12/2007	Takeuchi .....	A46B 9/026 15/167.1
2016/0100923	A1 *	4/2016	Lee .....	A61C 17/3418 15/22.1

OTHER PUBLICATIONS

Guy and the Blog, [online],[site visited Nov. 17, 2016]. Available from Internet, <URL:<http://www.guyandtheblog.com/2015/03/18/the-360-toothbrush-a-new-toothbrush-breakthrough-all-the-way-around/>>.\*

\* cited by examiner



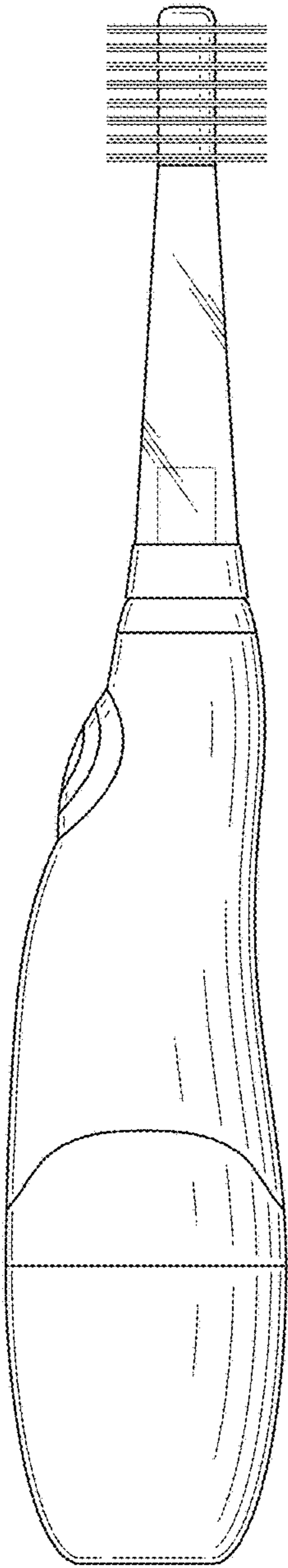


FIG. 4

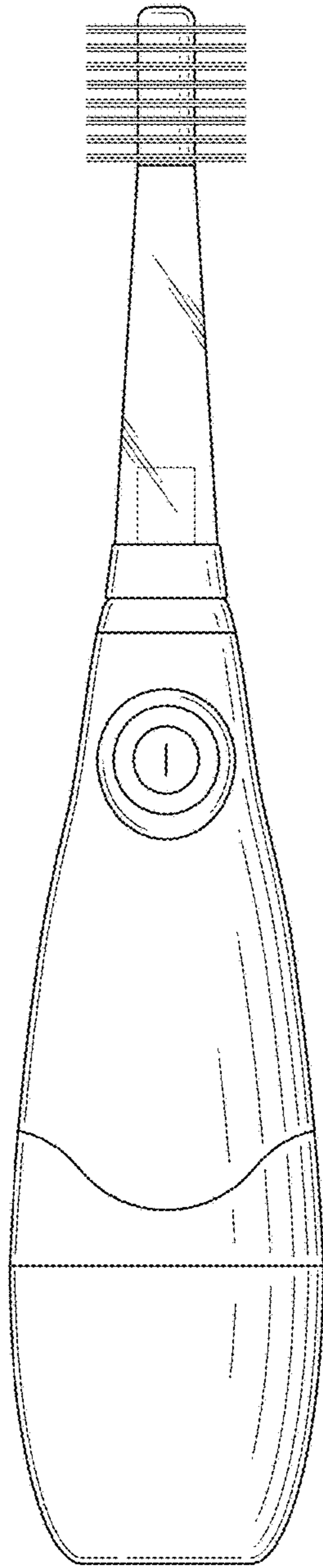


FIG. 5

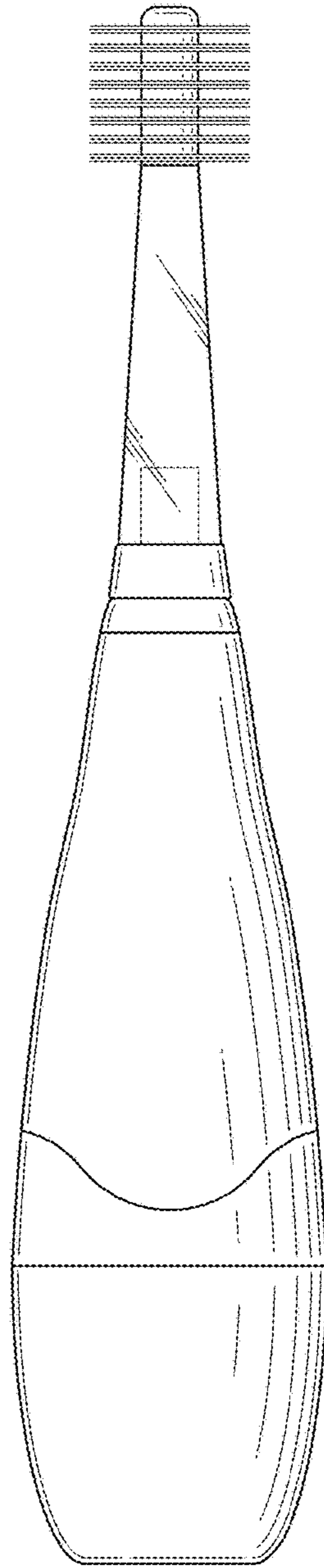


FIG. 6