



US00D778053S

(12) **United States Design Patent** (10) **Patent No.:** **US D778,053 S**
Li (45) **Date of Patent:** **** Feb. 7, 2017**

(54) **LUGGAGE HANDLE**

D570,601 S * 6/2008 Drew D3/318
D633,300 S * 3/2011 Fair D3/318
2012/0152677 A1* 6/2012 Lu A45C 5/14
190/18 A

(71) Applicant: **Shunyu Li**, Shanghai (CN)

(72) Inventor: **Shunyu Li**, Shanghai (CN)

* cited by examiner

(**) Term: **15 Years**

Primary Examiner — Holly Baynham
(74) *Attorney, Agent, or Firm* — Che-Yang Chen; Law
Offices of Scott Warmuth

(21) Appl. No.: **29/546,860**

(22) Filed: **Nov. 25, 2015**

(57) **CLAIM**

(51) **LOC (10) Cl.** **03-01**

The ornamental design for a luggage handle, as shown and described.

(52) **U.S. Cl.**

USPC **D3/318**

DESCRIPTION

(58) **Field of Classification Search**

USPC D3/318
CPC A45F 5/10; A45F 5/14
See application file for complete search history.

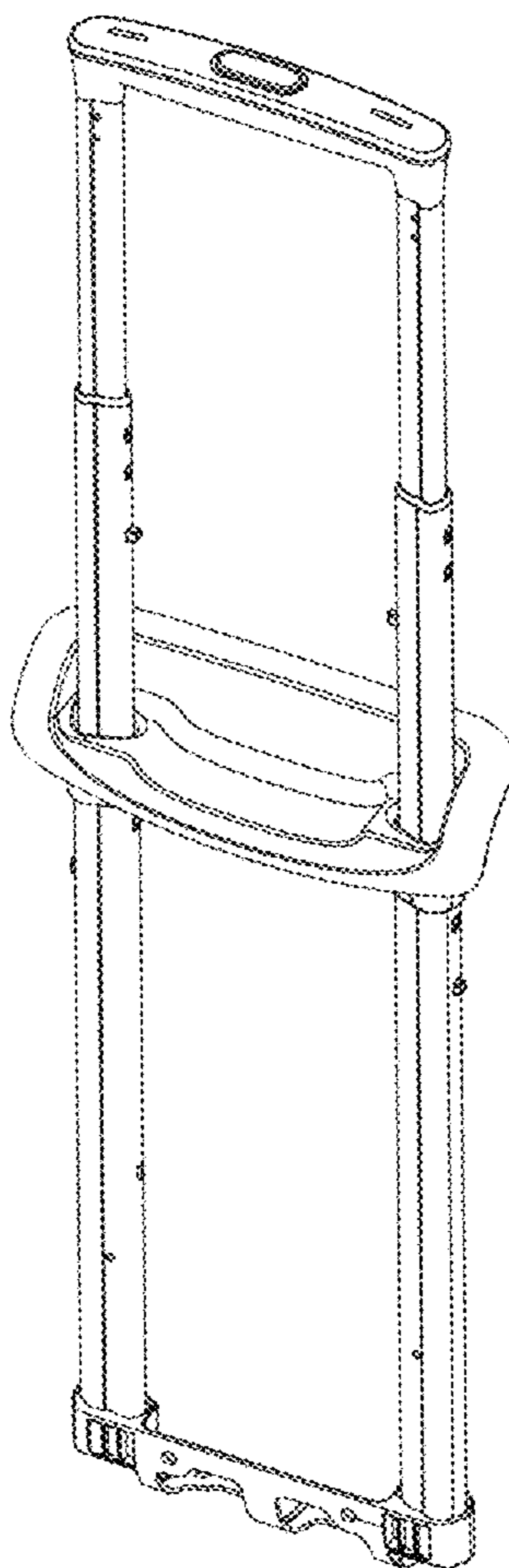
FIG. 1 is a perspective view of a luggage handle showing my new design;
FIG. 2 is a front elevational view thereof;
FIG. 3 is a rear elevational view thereof;
FIG. 4 is a left side elevational view thereof;
FIG. 5 is a right side elevational view thereof;
FIG. 6 is a top plan view thereof; and,
FIG. 7 is a bottom plan view thereof.

(56) **References Cited**

U.S. PATENT DOCUMENTS

D472,713 S * 4/2003 Lee D3/318
D489,531 S * 5/2004 Oh D3/318
D497,480 S * 10/2004 Drew D3/318

1 Claim, 5 Drawing Sheets



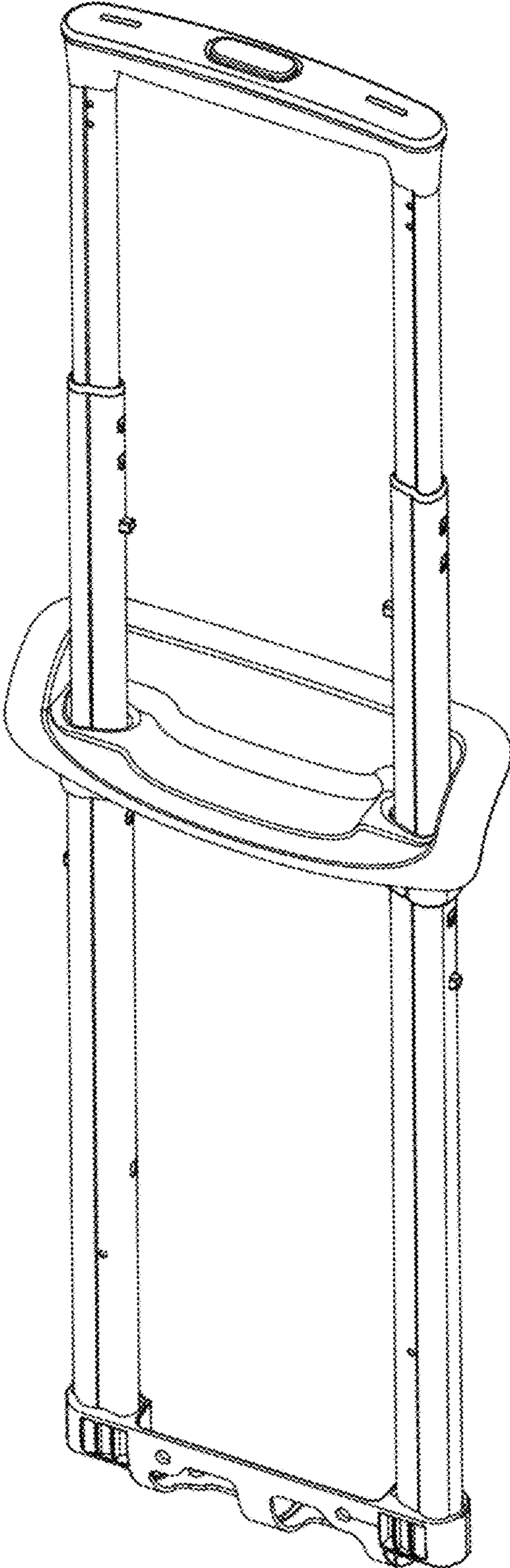


FIG. 1

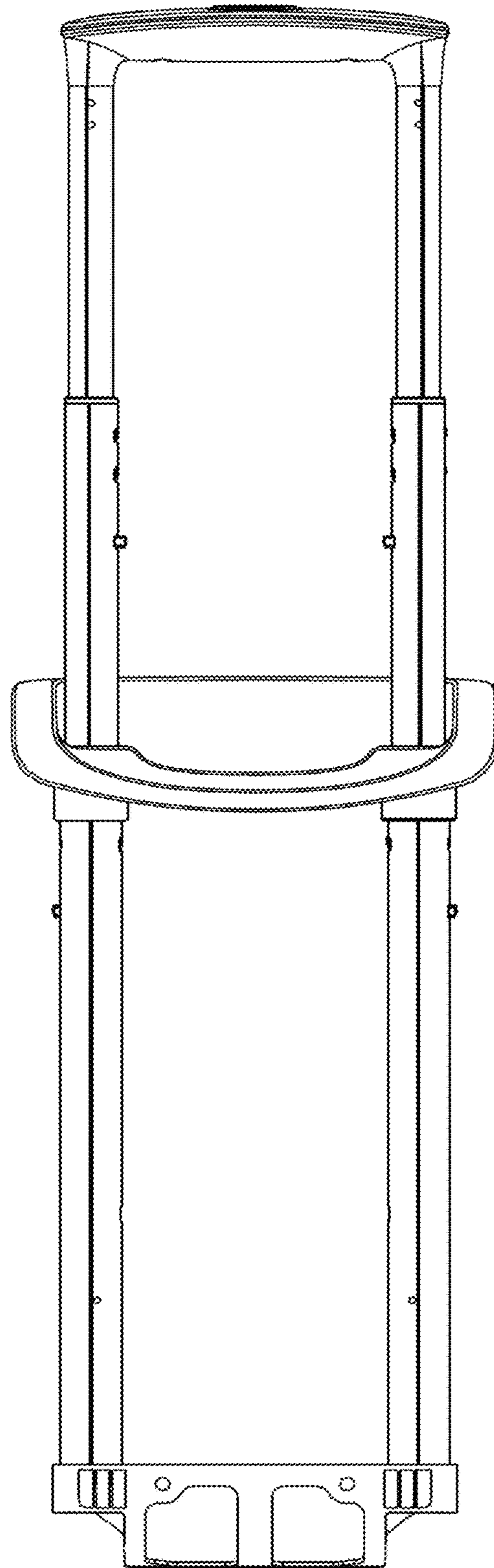


FIG. 2

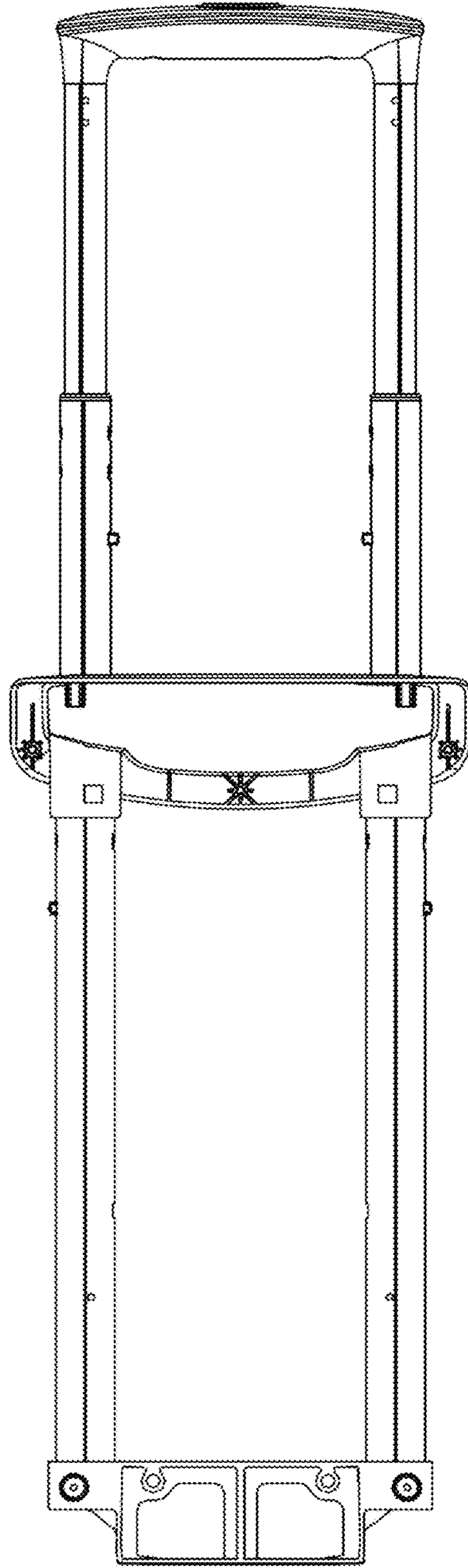


FIG. 3

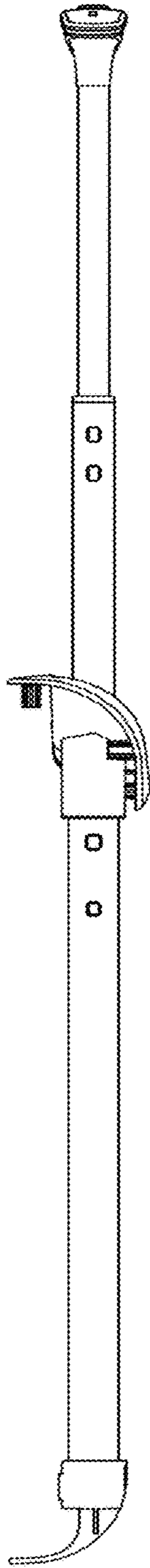


FIG. 4

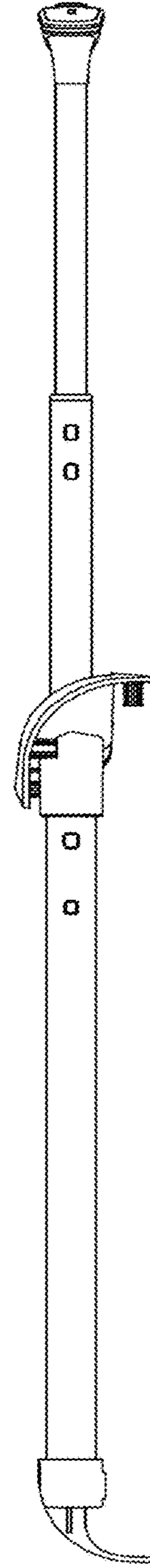


FIG. 5

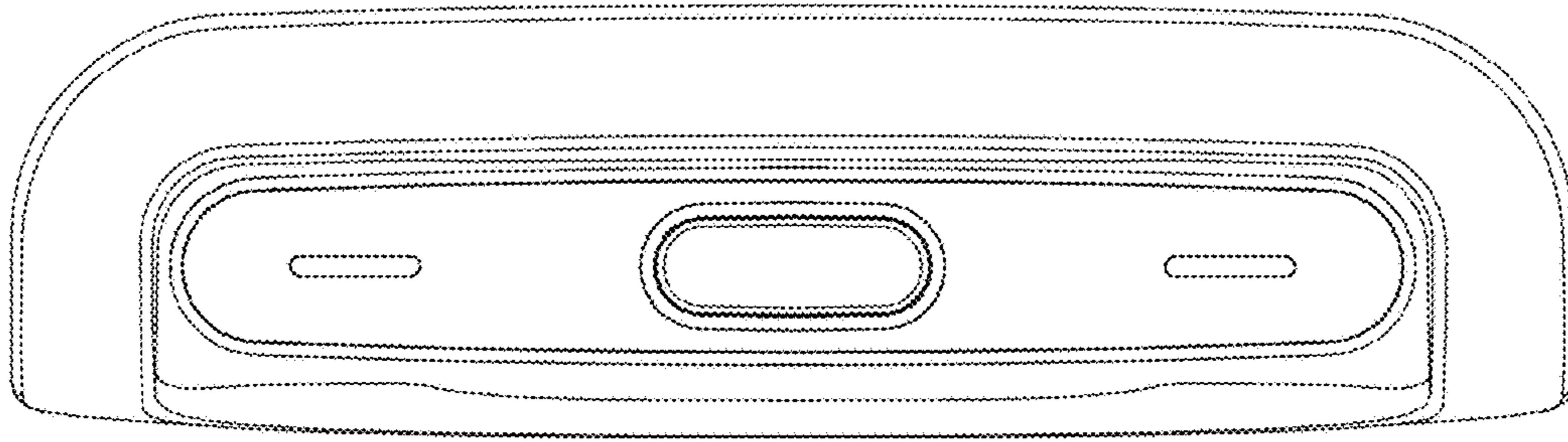


FIG. 6

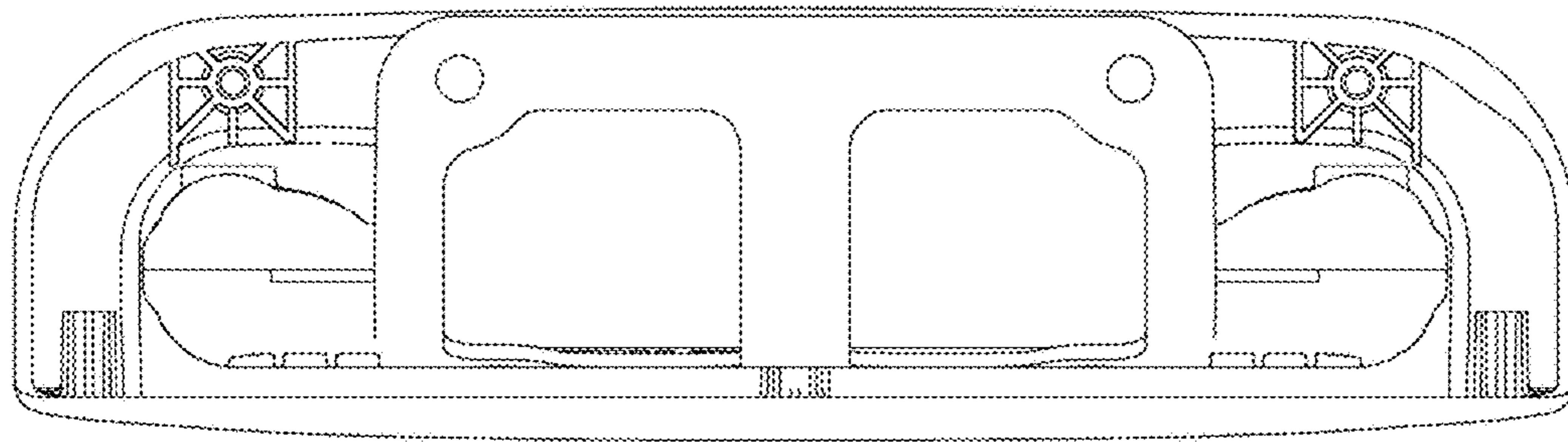


FIG. 7