



US00D778049S

(12) **United States Design Patent**
Kogelnik

(10) **Patent No.:** **US D778,049 S**

(45) **Date of Patent:** **** Feb. 7, 2017**

(54) **TRAVEL BAG**

(71) Applicant: **Vocier GmbH**, Wr. Neustadt (AT)

(72) Inventor: **Michael Kogelnik**, Wr. Neustadt (AT)

(73) Assignee: **VOCIER GMBH**, Wr. Neustadt (AT)

(**) Term: **15 Years**

(21) Appl. No.: **29/537,220**

(22) Filed: **Aug. 24, 2015**

(30) **Foreign Application Priority Data**

Feb. 24, 2015 (EM) 002639724-0003

(51) **LOC (10) Cl.** **03-01**

(52) **U.S. Cl.**
USPC **D3/274; D3/278; D3/285; D3/289;**
D3/902

(58) **Field of Classification Search**
USPC D3/273, 274, 276, 278, 281, 283, 284,
D3/285, 286, 287, 288, 289, 290, 291,
D3/293, 294, 295, 299, 301, 300, 900,
D3/902, 259, 904
CPC A45C 3/004; A45C 13/03; A45C 7/00;
A45C 7/0059

See application file for complete search history.

(56) **References Cited**

U.S. PATENT DOCUMENTS

D285,748 S *	9/1986	Feinberg	190/103
D463,119 S *	9/2002	Kawai	D3/276
D485,682 S *	1/2004	Wolf	D3/291
D490,242 S *	5/2004	Hassett	D3/267
D620,708 S *	8/2010	Sanz	D3/276
D625,102 S *	10/2010	Jacobs	D3/289
D681,329 S *	5/2013	Hock	D3/289
D698,150 S *	1/2014	Sabounjian	D3/285

D732,824 S *	6/2015	Tzortzis	D3/288
D745,778 S *	12/2015	Shabou	D3/229
2008/0283350 A1 *	11/2008	Vorderkunz	A45C 13/03 190/115

OTHER PUBLICATIONS

Carryology, "Vocier 'Introduction' Giveaway", Posted Oct. 6, 2015, Accessed Jun. 20, 2016. (<http://www.carryology.com/luggage/vocier-introduction-giveaway/>).*

Skyroll, "SkyRoll Garment Bag", Reviewed as early as Jun. 25, 2008, Accessed Jun. 20, 2016. (<http://www.skyroll.com/shop/skyroll-garment-bag/>).*

* cited by examiner

Primary Examiner — Jennifer Rivard

Assistant Examiner — April Rivas

(74) *Attorney, Agent, or Firm* — Abelman, Frayne & Schwab

(57) **CLAIM**

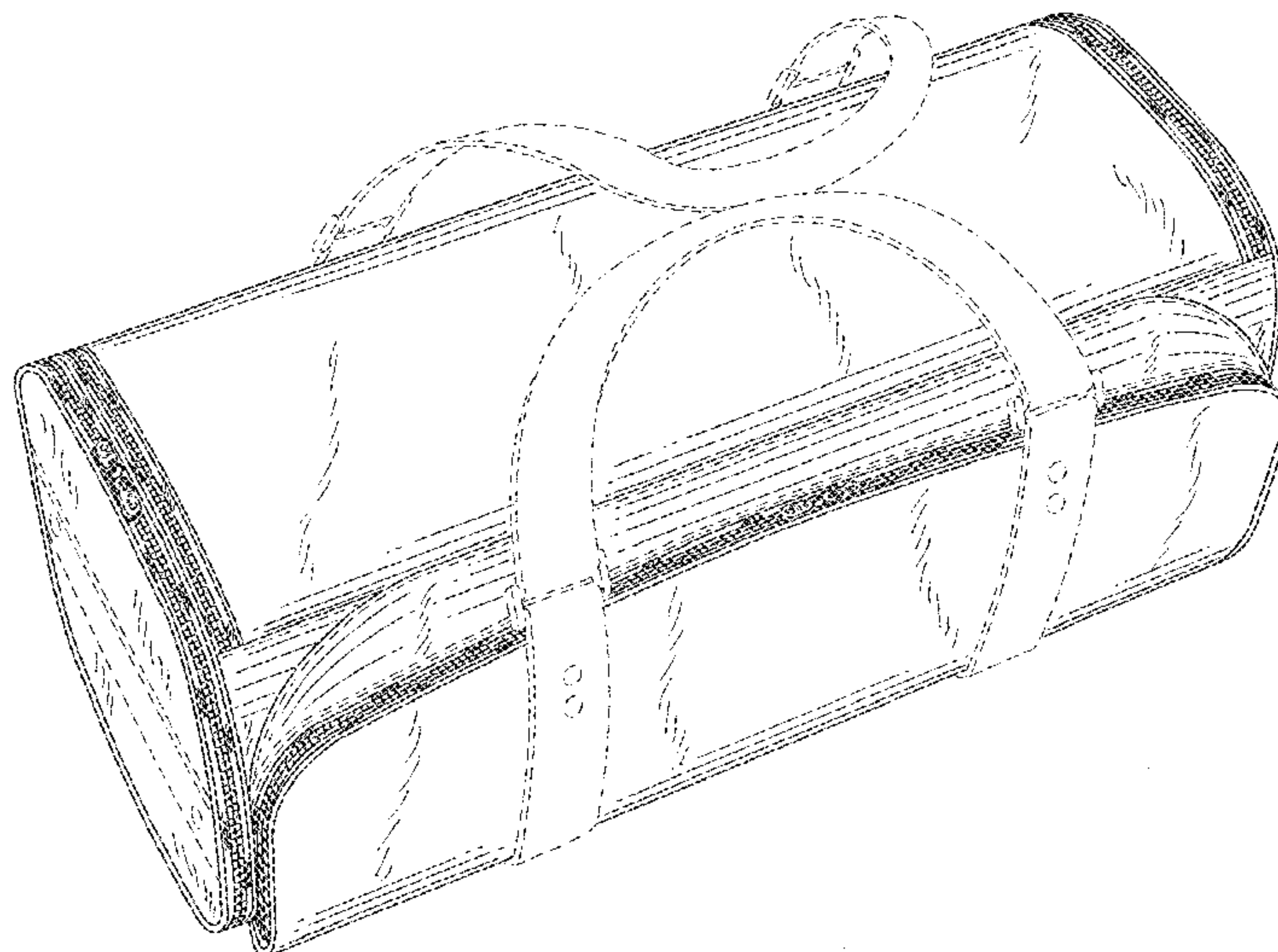
The ornamental design for a travel bag, as shown and described.

DESCRIPTION

FIG. 1 is a top, front and right side perspective view of a travel bag showing the new design;
FIG. 2 is a front elevation thereof;
FIG. 3 is a top plan thereof;
FIG. 4 is a right side elevation thereof;
FIG. 5 is a left side elevation thereof;
FIG. 6 is a rear elevation thereof;
FIG. 7 is a bottom plan thereof; and,
FIG. 8 is a top, front, and right side perspective view showing the travel bag unfolded.

The broken line showing of the travel bag is for the purpose of illustrating portions of the article and forms no part of the claimed design.

1 Claim, 8 Drawing Sheets



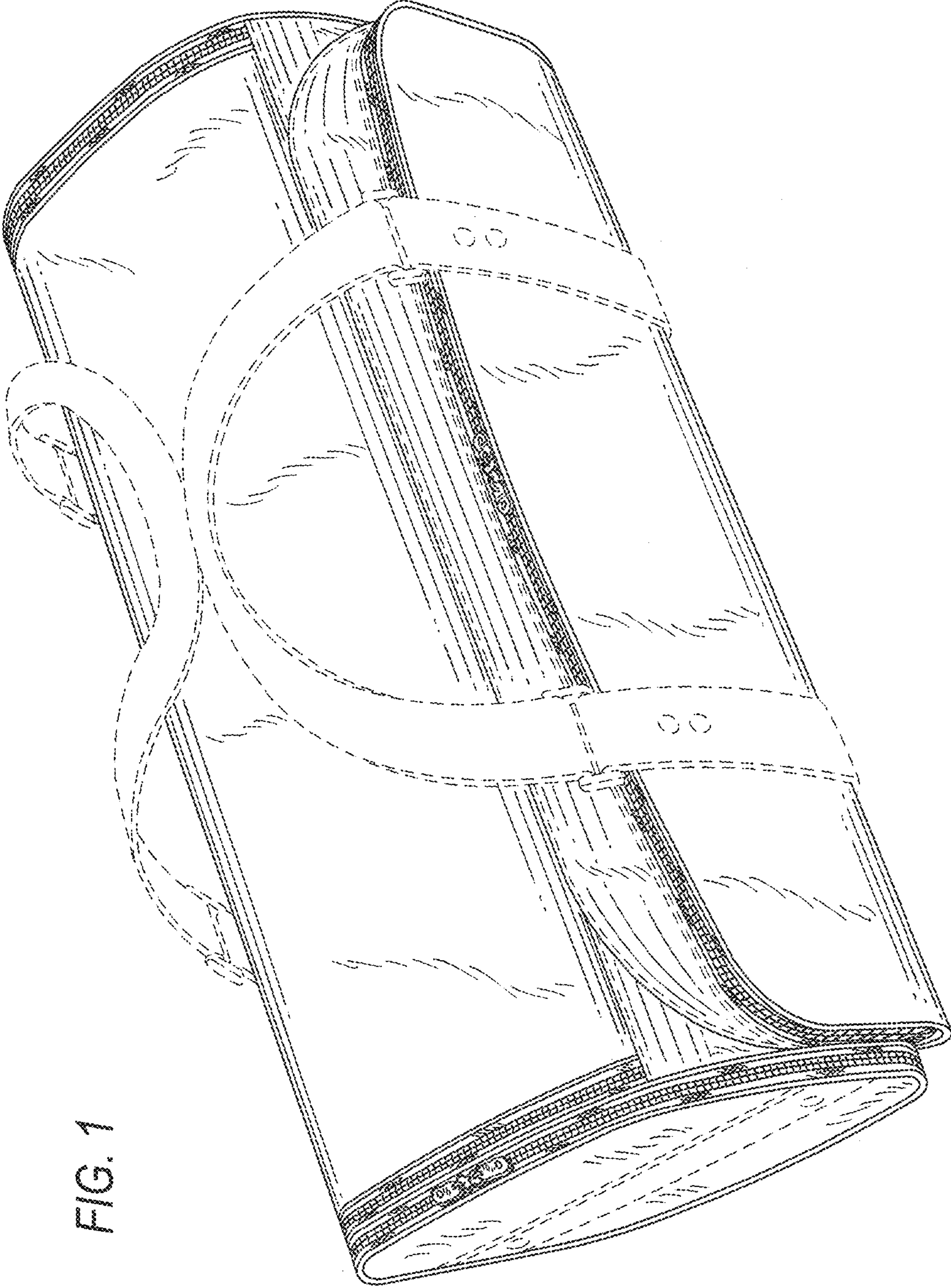


FIG. 1

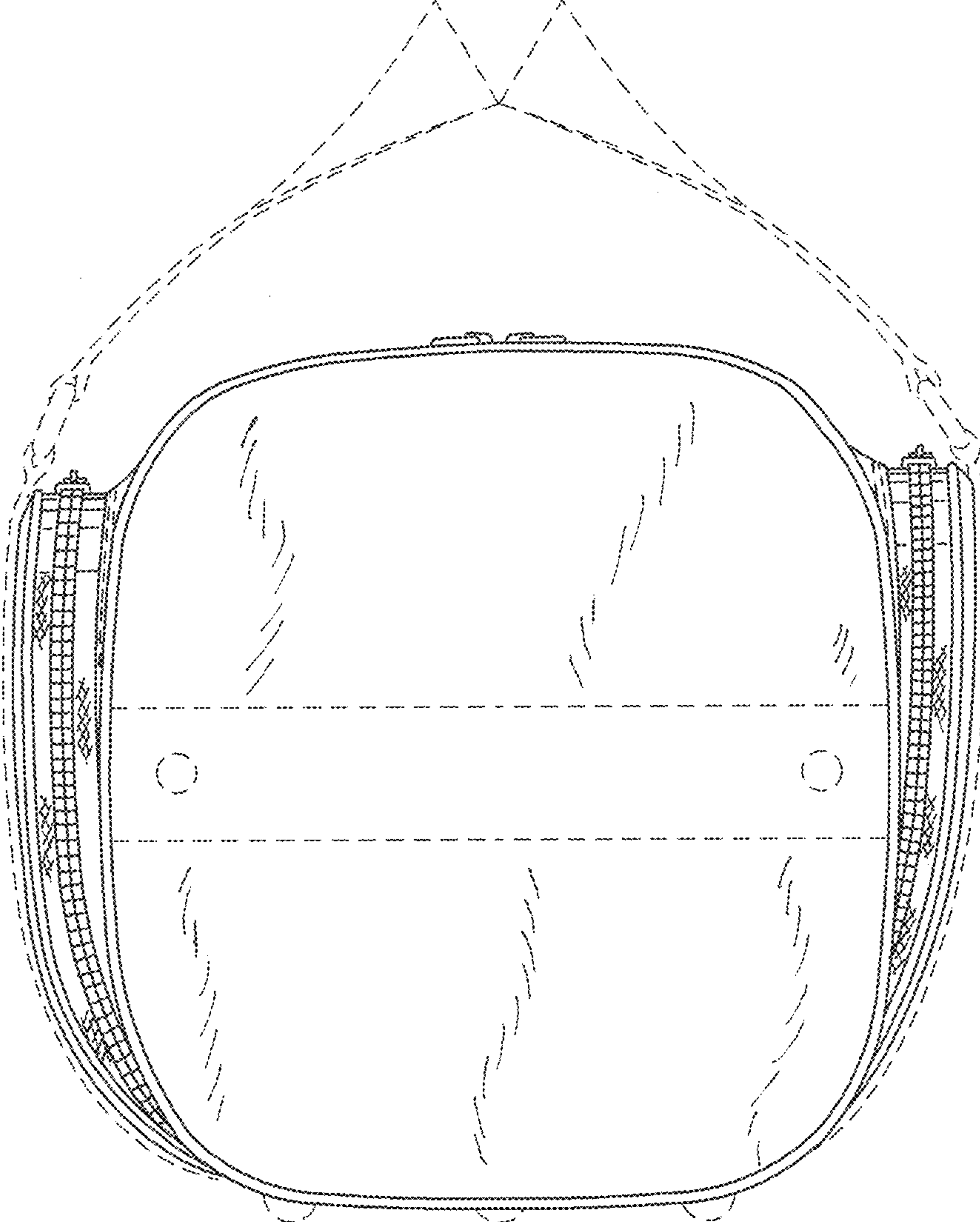


FIG. 2

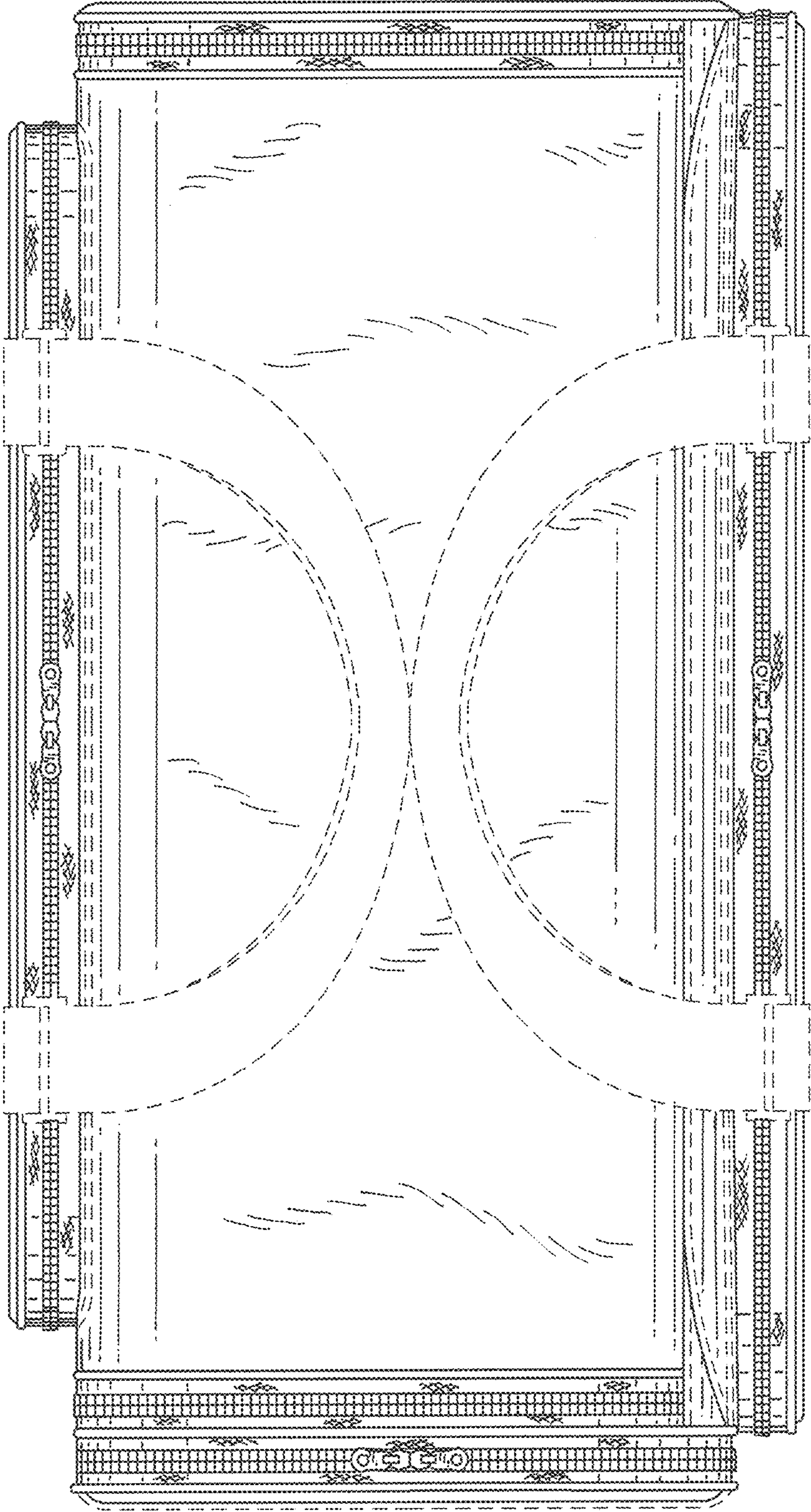


FIG. 3

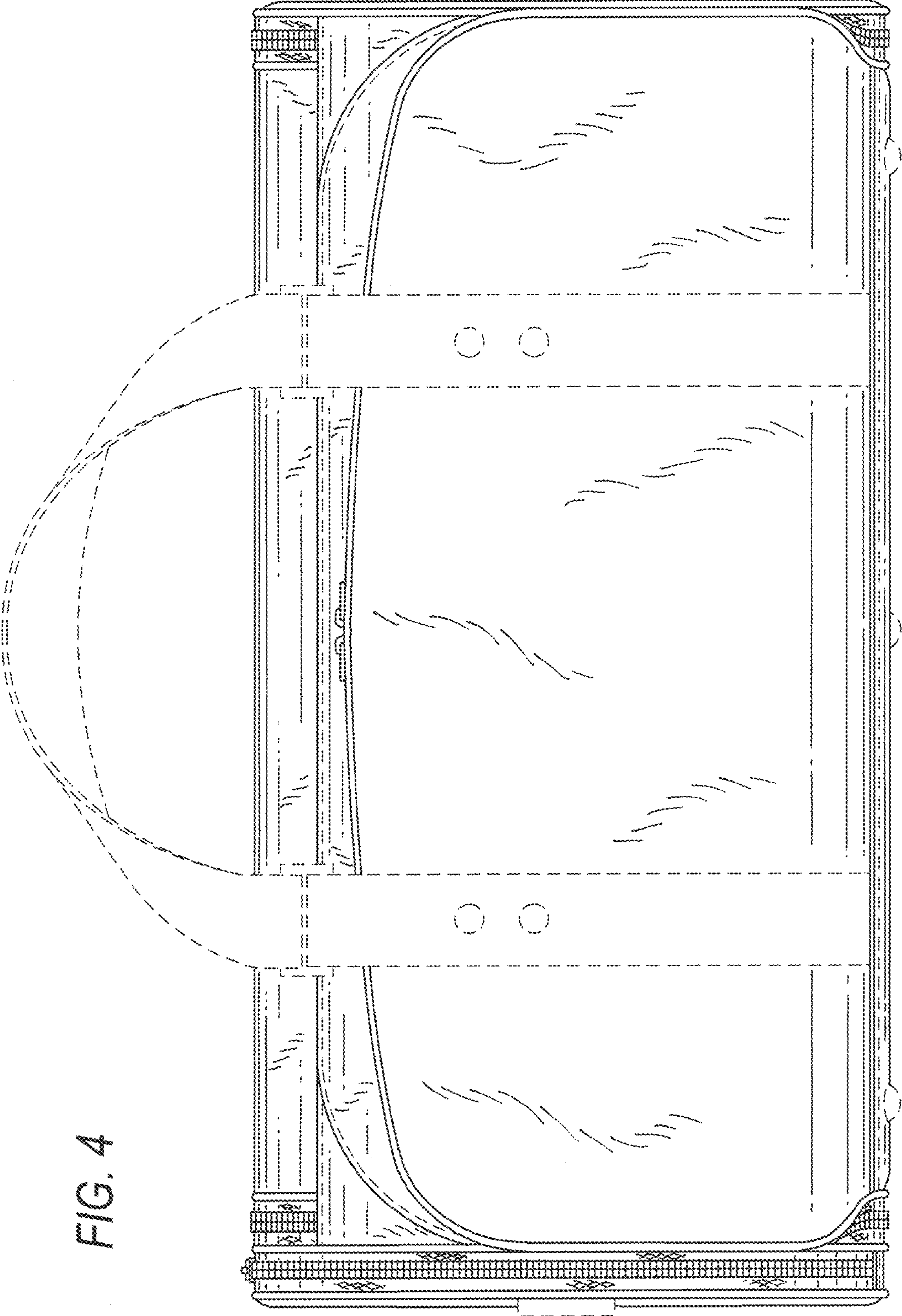


FIG. 4

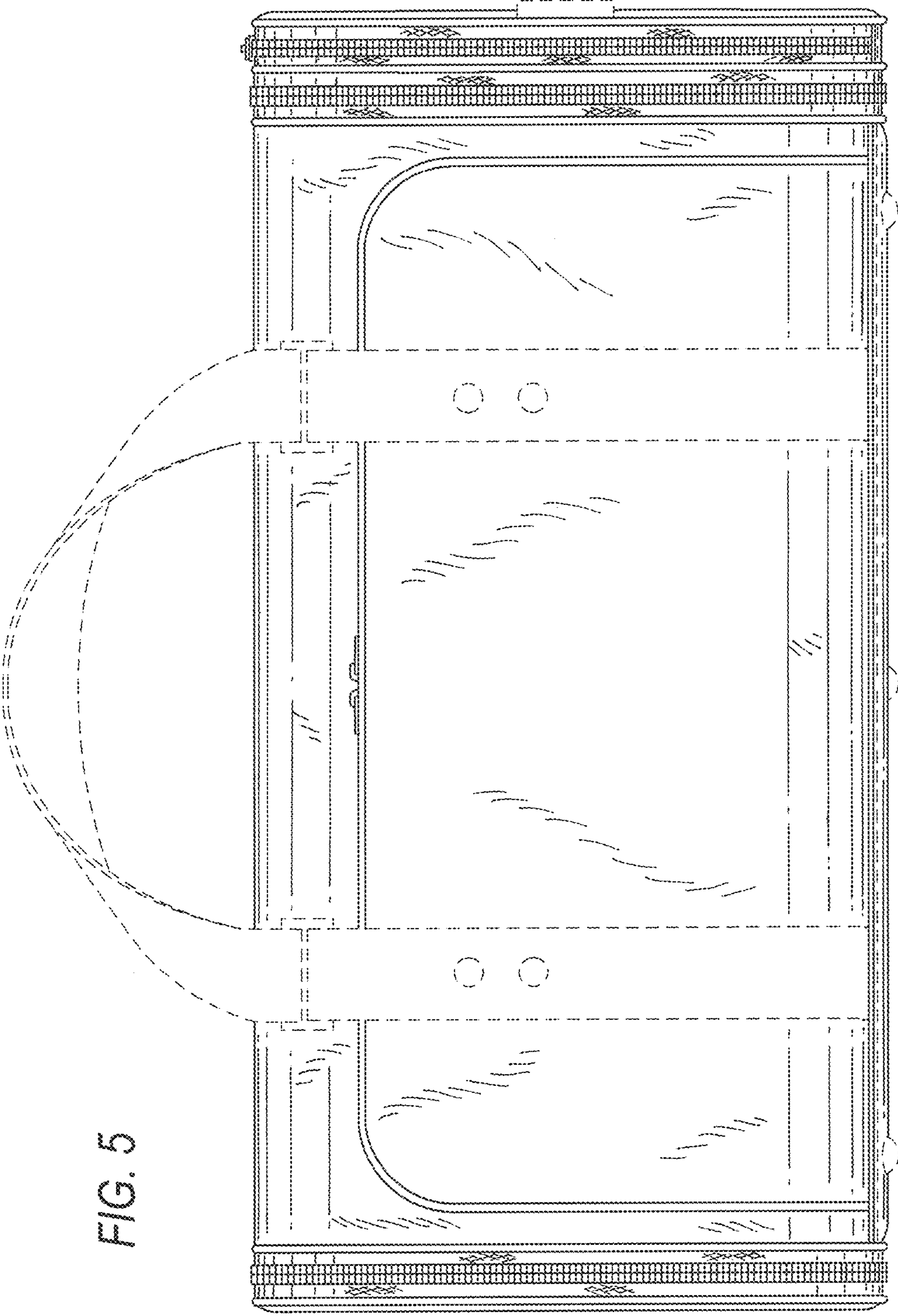


FIG. 5

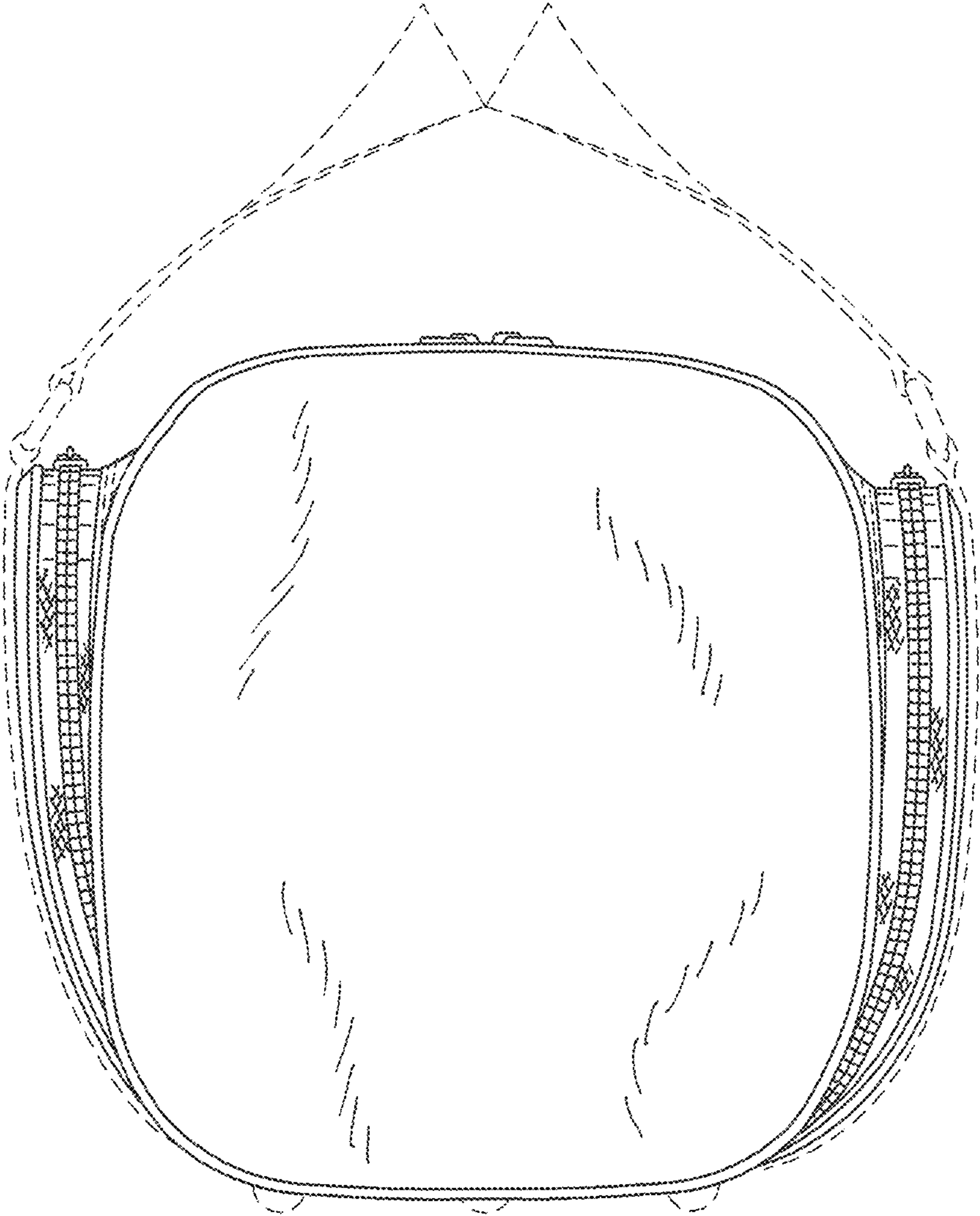


FIG. 6

FIG. 7

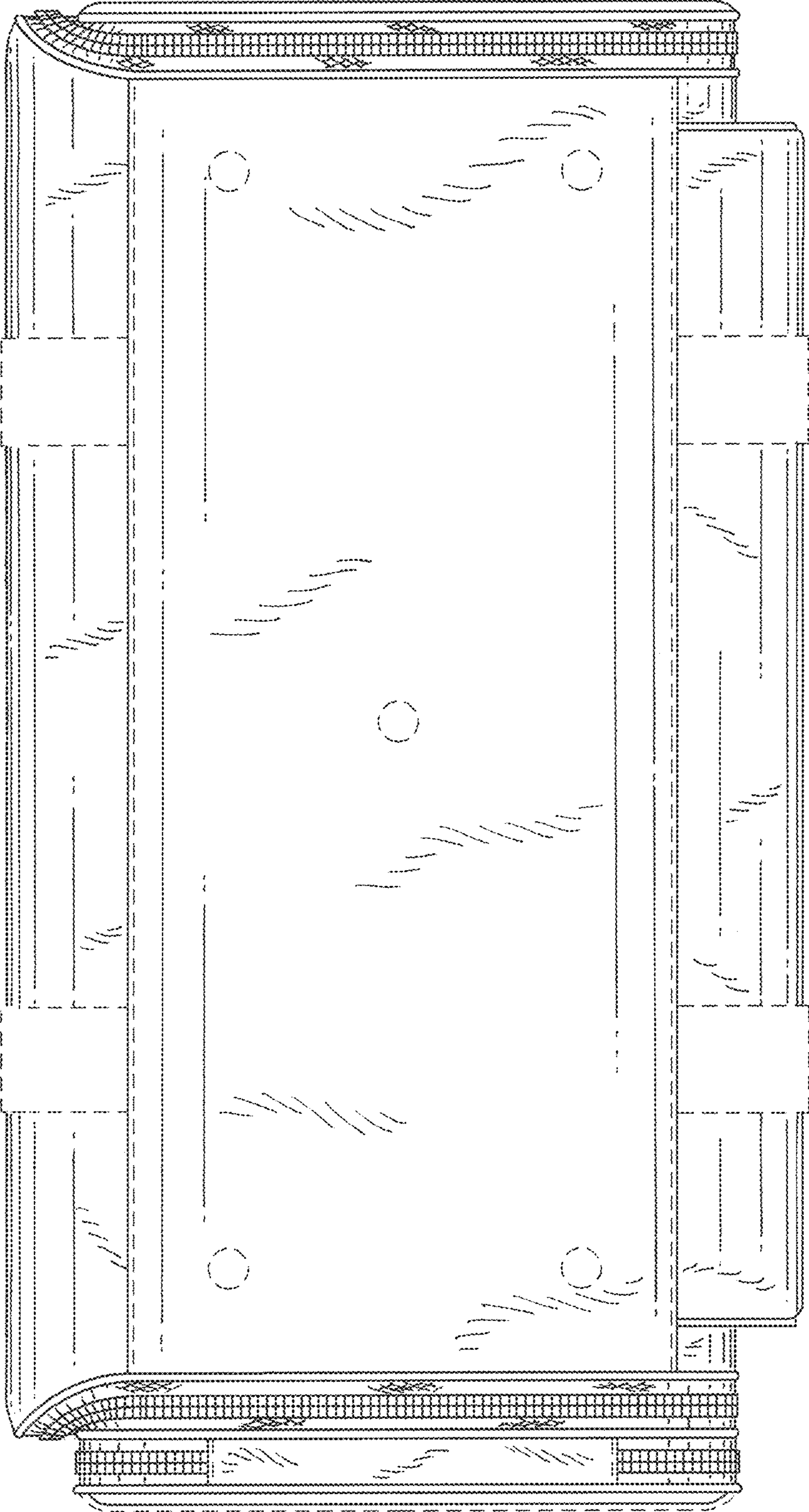


FIG. 8

