



US00D778046S

(12) **United States Design Patent** (10) **Patent No.:** **US D778,046 S**  
**Kriemler** (45) **Date of Patent:** **\*\* Feb. 7, 2017**

(54) **HANDBAG**

(71) Applicant: **Akris Prêt-à-Porter AG**, Speicher (CH)

(72) Inventor: **Albert Kriemler**, St. Gallen (CH)

(73) Assignee: **Akris Prêt-à-Porter AG**, Speicher (CH)

(\*\*) Term: **14 Years**

(21) Appl. No.: **29/511,540**

(22) Filed: **Dec. 11, 2014**

(51) **LOC (10) Cl.** ..... **03-01**

(52) **U.S. Cl.**  
USPC ..... **D3/243**

(58) **Field of Classification Search**  
USPC ..... D3/245  
CPC ..... A45C 1/024; A45C 3/06  
See application file for complete search history.

(56) **References Cited**

**U.S. PATENT DOCUMENTS**

|              |         |          |       |        |
|--------------|---------|----------|-------|--------|
| D525,784 S * | 8/2006  | Handley  | ..... | D3/243 |
| D668,041 S * | 10/2012 | Kriemler | ..... | D3/232 |
| D688,449 S * | 8/2013  | Schinasi | ..... | D3/232 |
| D698,547 S * | 2/2014  | Deneve   | ..... | D3/243 |
| D721,228 S * | 1/2015  | Simms    | ..... | D3/232 |

\* cited by examiner

*Primary Examiner* — Holly Baynham

(74) *Attorney, Agent, or Firm* — Buchanan Ingersoll & Rooney PC

(57) **CLAIM**

The ornamental design for a handbag, as shown and described.

**DESCRIPTION**

FIG. 1 is a front elevational view of a handbag showing a first embodiment of my new design.

FIG. 2 is a rear elevational view thereof.

FIG. 3 is a right side elevational view thereof.

FIG. 4 is a left side elevational view thereof.

FIG. 5 is a bottom plan view thereof.

FIG. 6 is a top plan view thereof.

FIG. 7 is a perspective view thereof.

FIG. 8 is a front elevational view of a handbag showing a third embodiment of my new design.

FIG. 9 is a rear elevational view thereof.

FIG. 10 is a right side elevational view thereof.

FIG. 11 is a left side elevational view thereof.

FIG. 12 is a bottom plan view thereof.

FIG. 13 is a top plan view thereof; and,

FIG. 14 is a perspective view thereof.

The broken lines showing stitching are for the purposes of illustrating environment and forms no part of the claimed design.

**1 Claim, 14 Drawing Sheets**





FIG. 1



FIG. 2

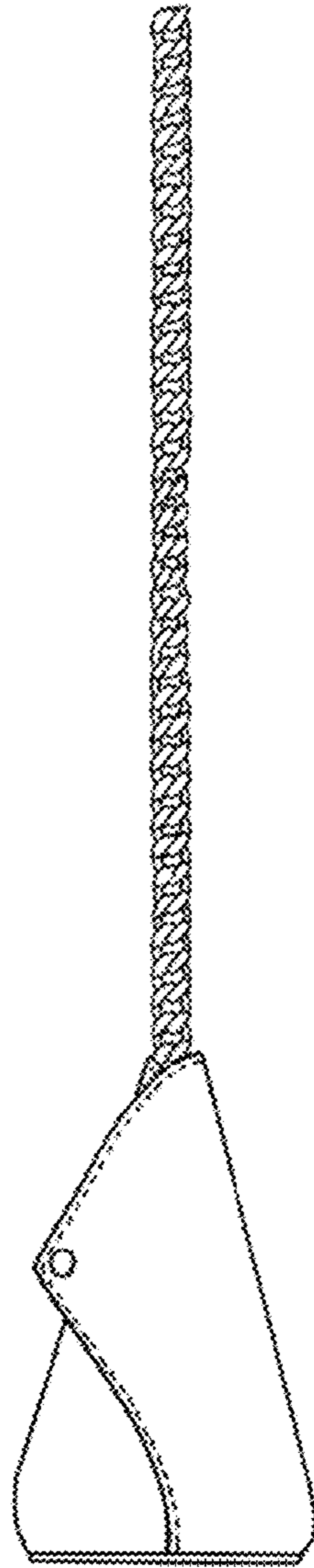


FIG. 3

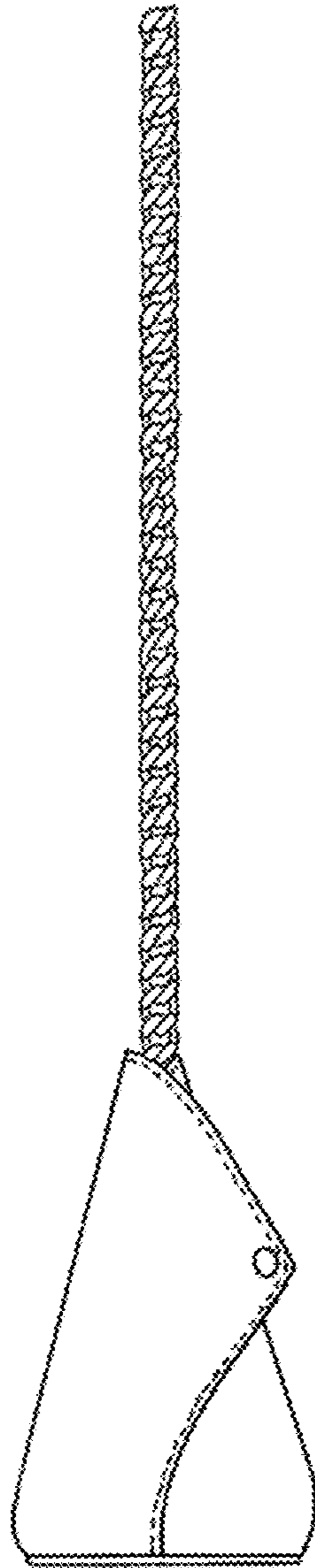


FIG. 4



FIG. 5

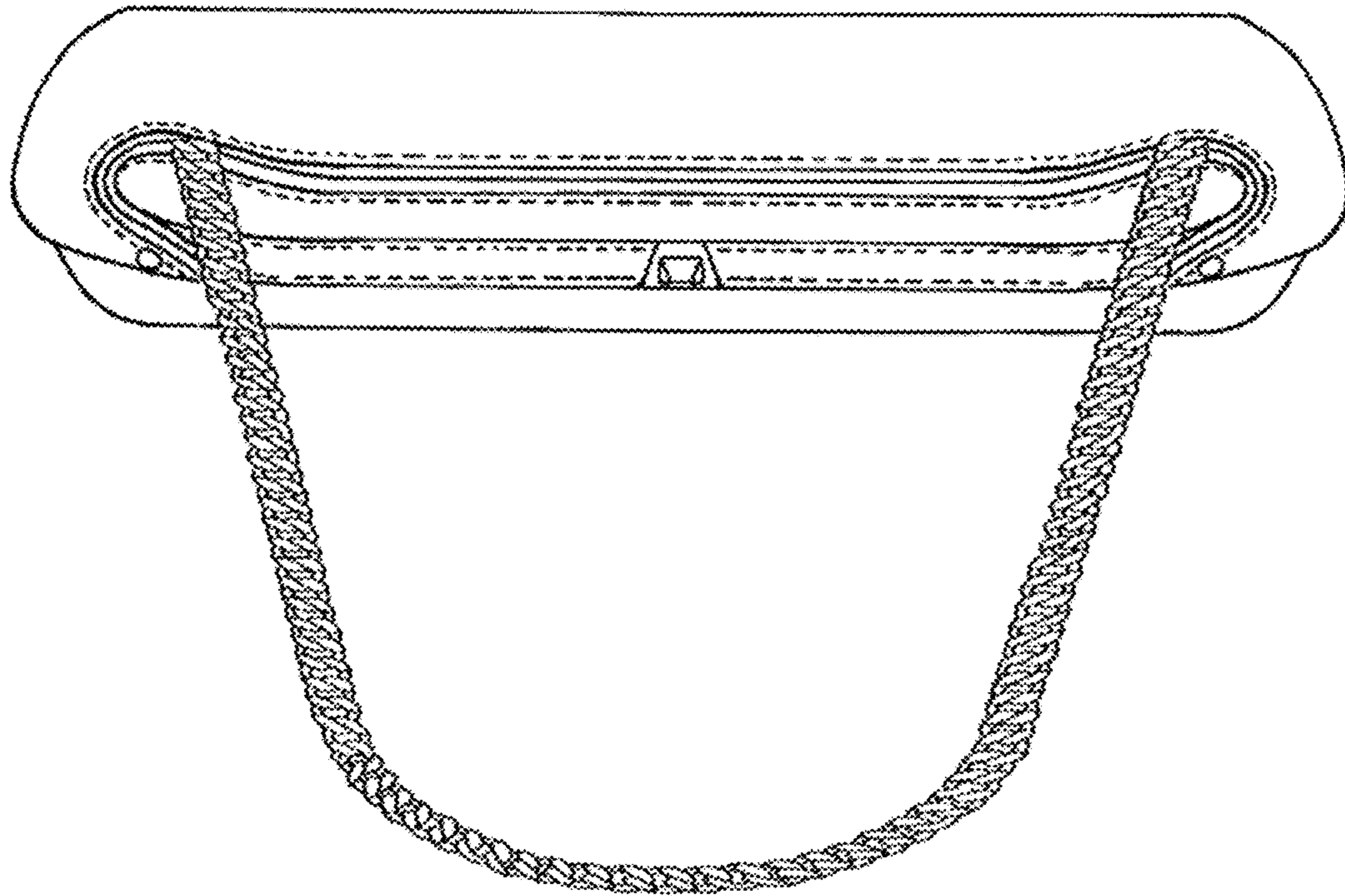


FIG. 6

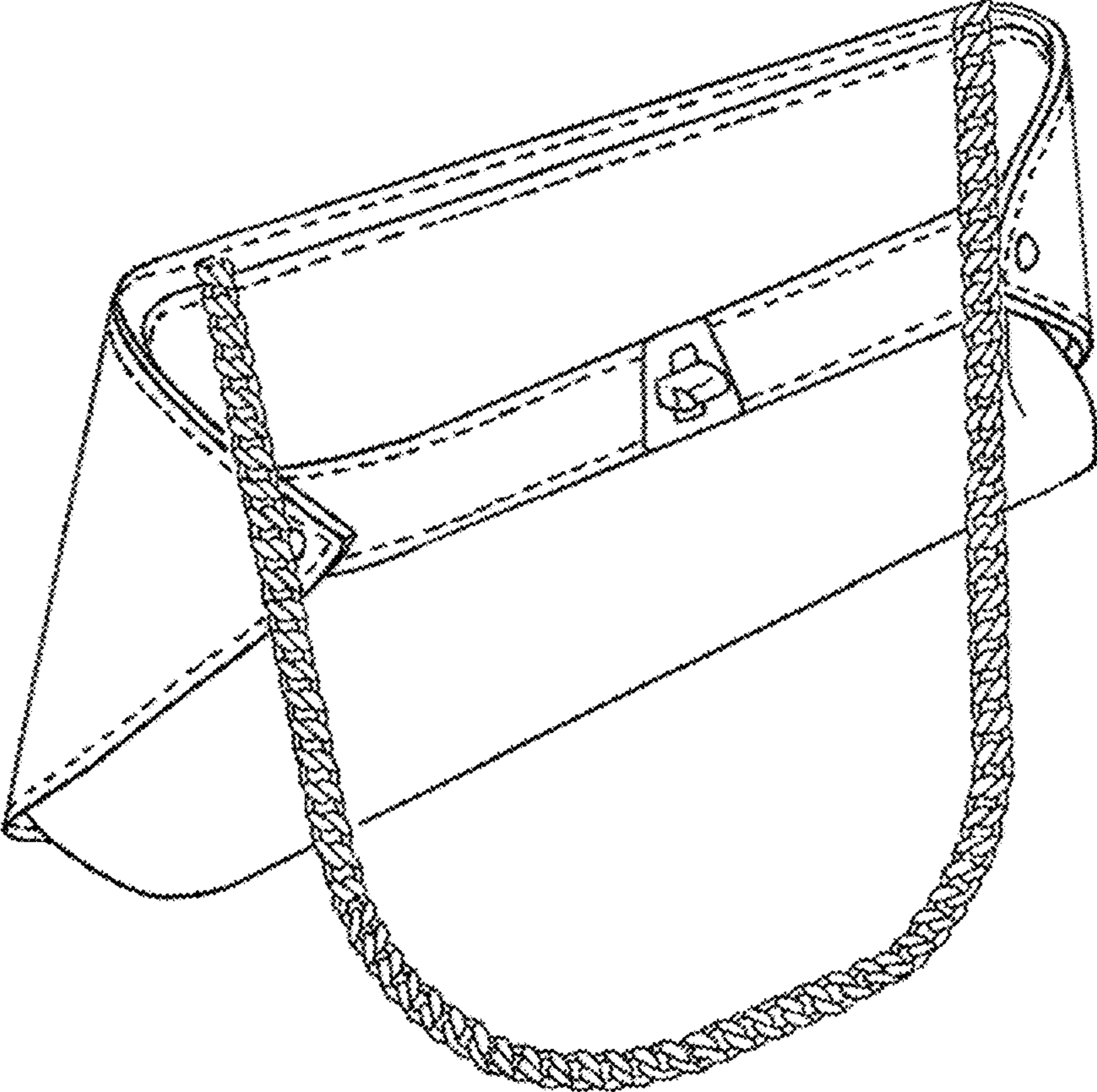


FIG. 7





FIG. 8



FIG. 9

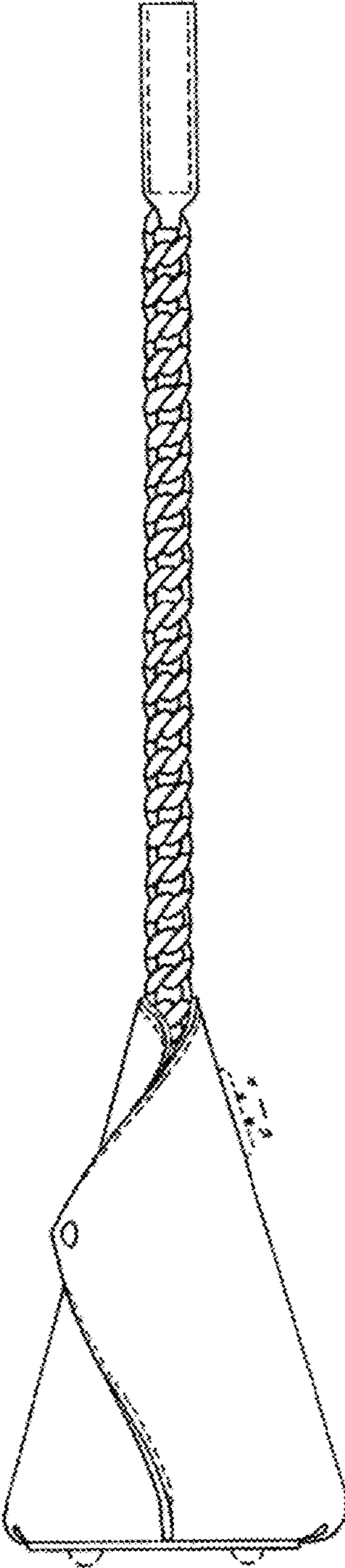


FIG. 10

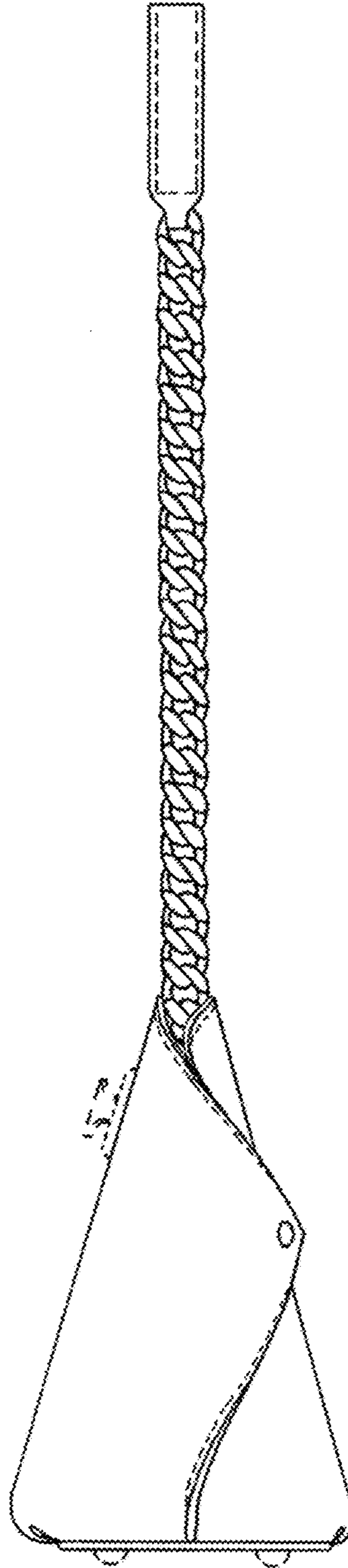


FIG. 11

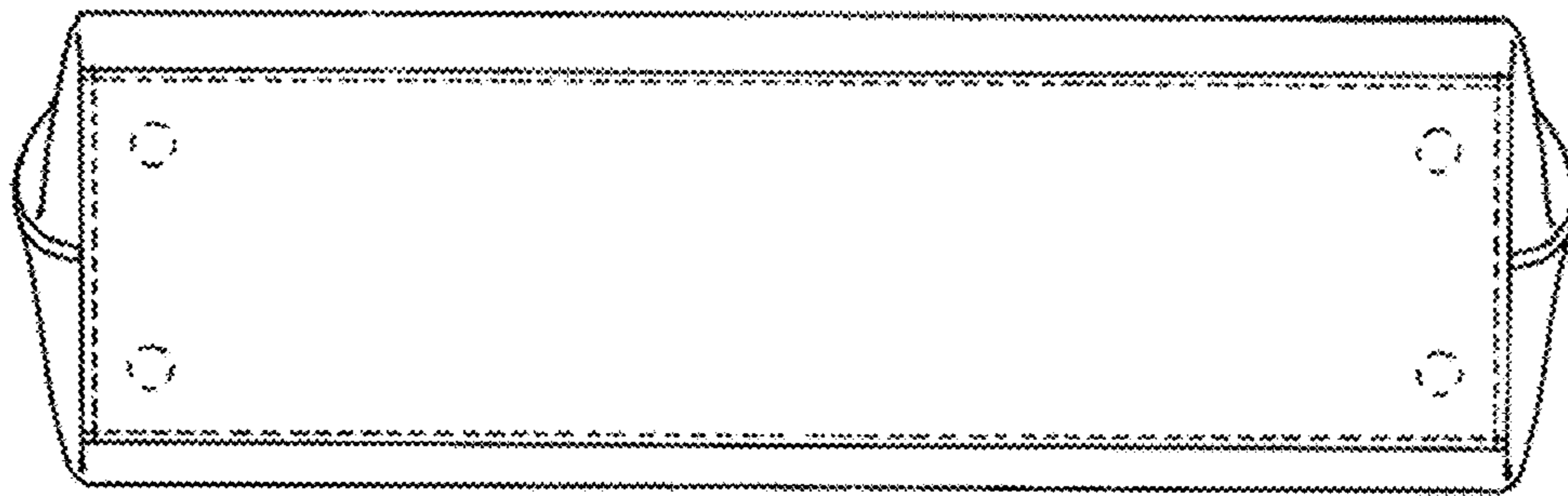


FIG. 12

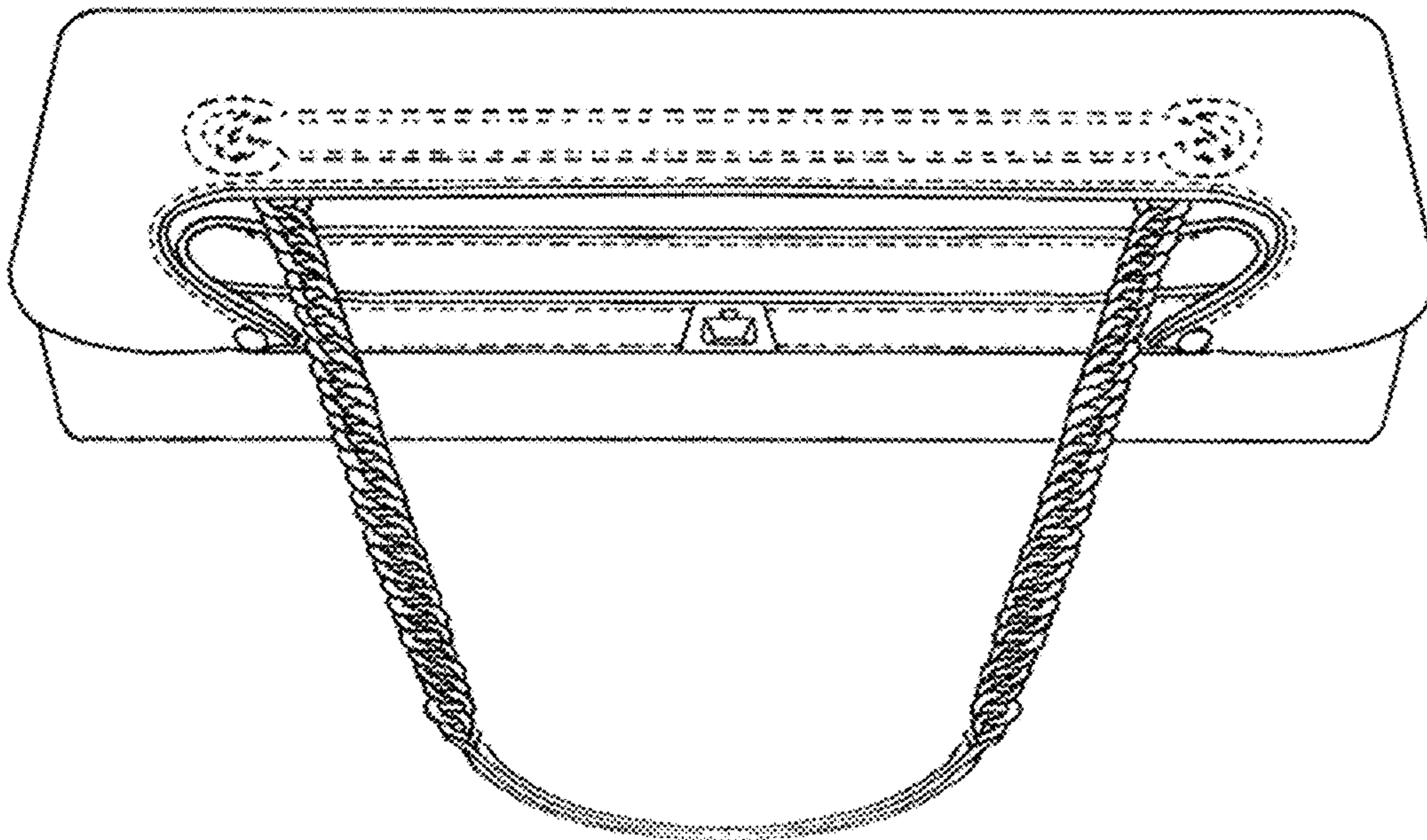


FIG. 13

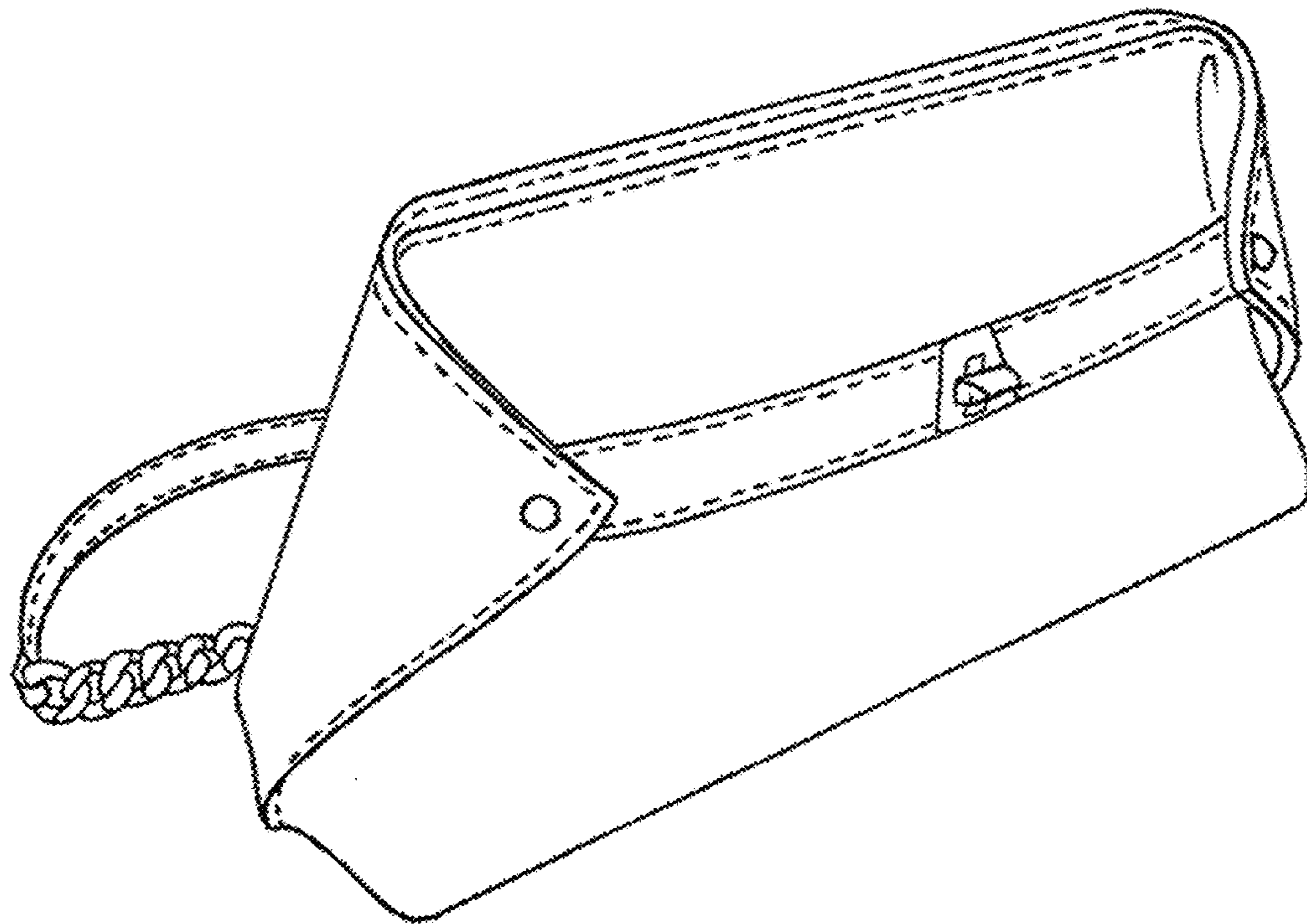


FIG. 14

UNITED STATES PATENT AND TRADEMARK OFFICE  
**CERTIFICATE OF CORRECTION**

PATENT NO. : D778,046 S  
APPLICATION NO. : 29/511540  
DATED : February 7, 2017  
INVENTOR(S) : Albert Kriemler

Page 1 of 1

It is certified that error appears in the above-identified patent and that said Letters Patent is hereby corrected as shown below:

On the Title Page

In the Description, Line 10: Change "third" to --second--.

Signed and Sealed this  
Thirtieth Day of May, 2017



Michelle K. Lee  
*Director of the United States Patent and Trademark Office*