



US00D778045S

(12) **United States Design Patent** (10) **Patent No.:** **US D778,045 S**  
**Ruddis** (45) **Date of Patent:** **\*\* Feb. 7, 2017**

(54) **BAG**  
(71) Applicant: **Becky Ann Ruddis**, Rowlett, TX (US)  
(72) Inventor: **Becky Ann Ruddis**, Rowlett, TX (US)  
(\*\*) Term: **14 Years**  
(21) Appl. No.: **29/517,183**  
(22) Filed: **Feb. 11, 2015**  
(51) **LOC (10) Cl.** ..... **03-01**  
(52) **U.S. Cl.**  
USPC ..... **D3/232**  
(58) **Field of Classification Search**  
USPC ..... D3/232, 233, 240-243, 245, 246, 318;  
150/100, 103-110, 113, 114, 117-119  
CPC ..... A12C 1/024; A45C 3/06; A45C 7/077;  
A45C 3/04; A47F 9/042; A45F 5/1026;  
A45F 2005/1033  
See application file for complete search history.

(56) **References Cited**  
U.S. PATENT DOCUMENTS  
1,729,318 A \* 9/1929 Wunderlich ..... A45C 3/04  
383/18  
4,180,111 A \* 12/1979 Davis ..... A45C 7/0063  
383/10  
D413,723 S \* 9/1999 Quansah ..... D3/233

D596,396 S \* 7/2009 McCoy ..... D3/232  
D608,089 S \* 1/2010 McCoy ..... D3/232  
D631,654 S \* 2/2011 Lizhu ..... D3/233  
D641,549 S \* 7/2011 Caldwell ..... D3/232  
8,011,500 B2 \* 9/2011 Lee ..... A45C 3/04  
206/216  
D648,935 S \* 11/2011 Wickrama ..... D3/233  
D688,449 S \* 8/2013 Schinasi ..... D3/232  
2011/0142373 A1 \* 6/2011 Kong ..... B65D 33/00  
383/6

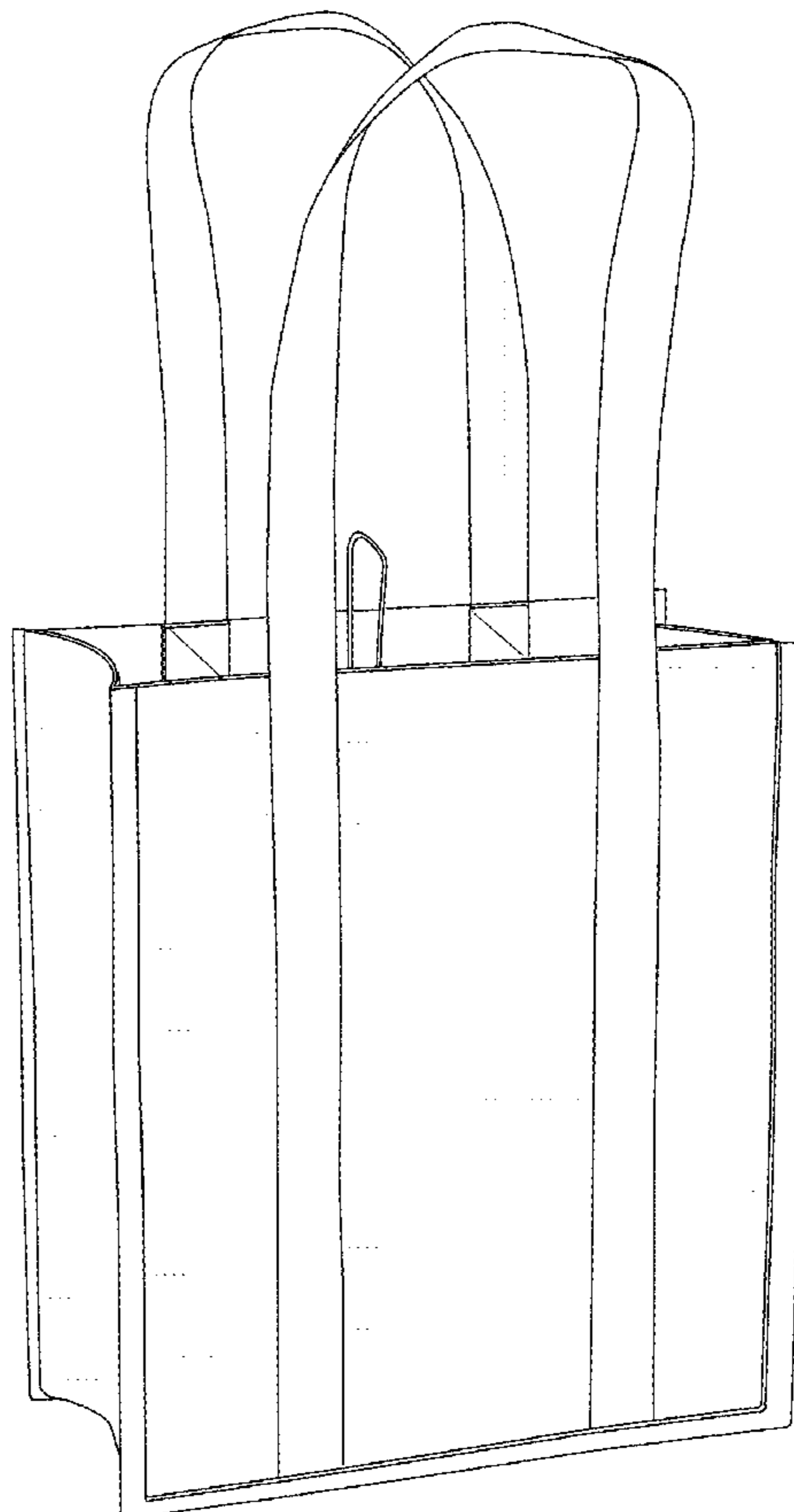
\* cited by examiner

*Primary Examiner* — Derrick Holland  
*Assistant Examiner* — Jennifer O King

(57) **CLAIM**  
The ornamental design for a bag, as shown and described.

**DESCRIPTION**  
FIG. 1 is a front elevational view of a bag showing my new design;  
FIG. 2 is a rear elevational view thereof;  
FIG. 3 is a left side elevational view thereof;  
FIG. 4 is a right side elevational view thereof;  
FIG. 5 is a top plan view thereof;  
FIG. 6 is a bottom plan view thereof;  
FIG. 7 is a perspective view thereof;  
FIG. 8 is a top perspective view thereof; and,  
FIG. 9 is a bottom perspective view thereof.

**1 Claim, 9 Drawing Sheets**



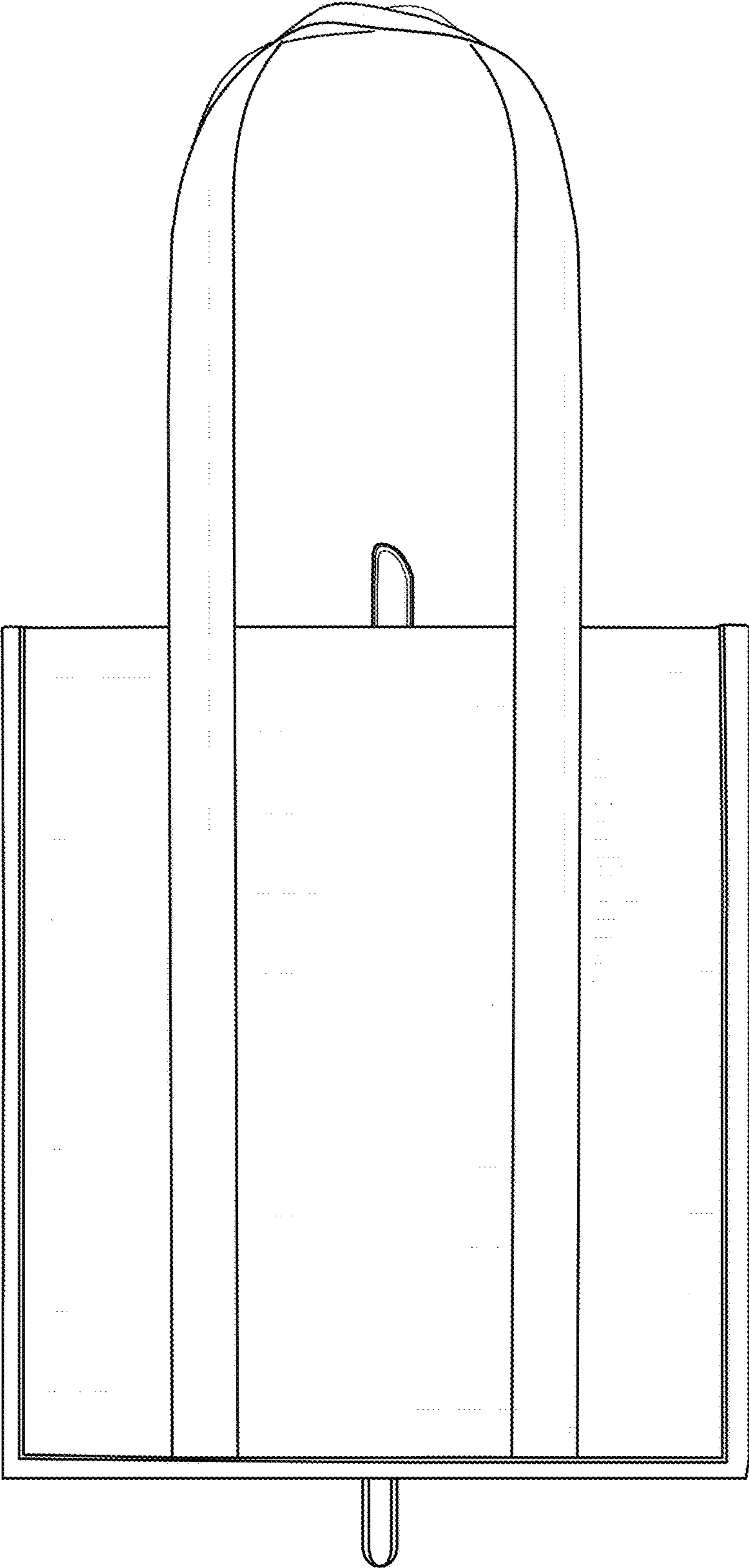


FIG 1

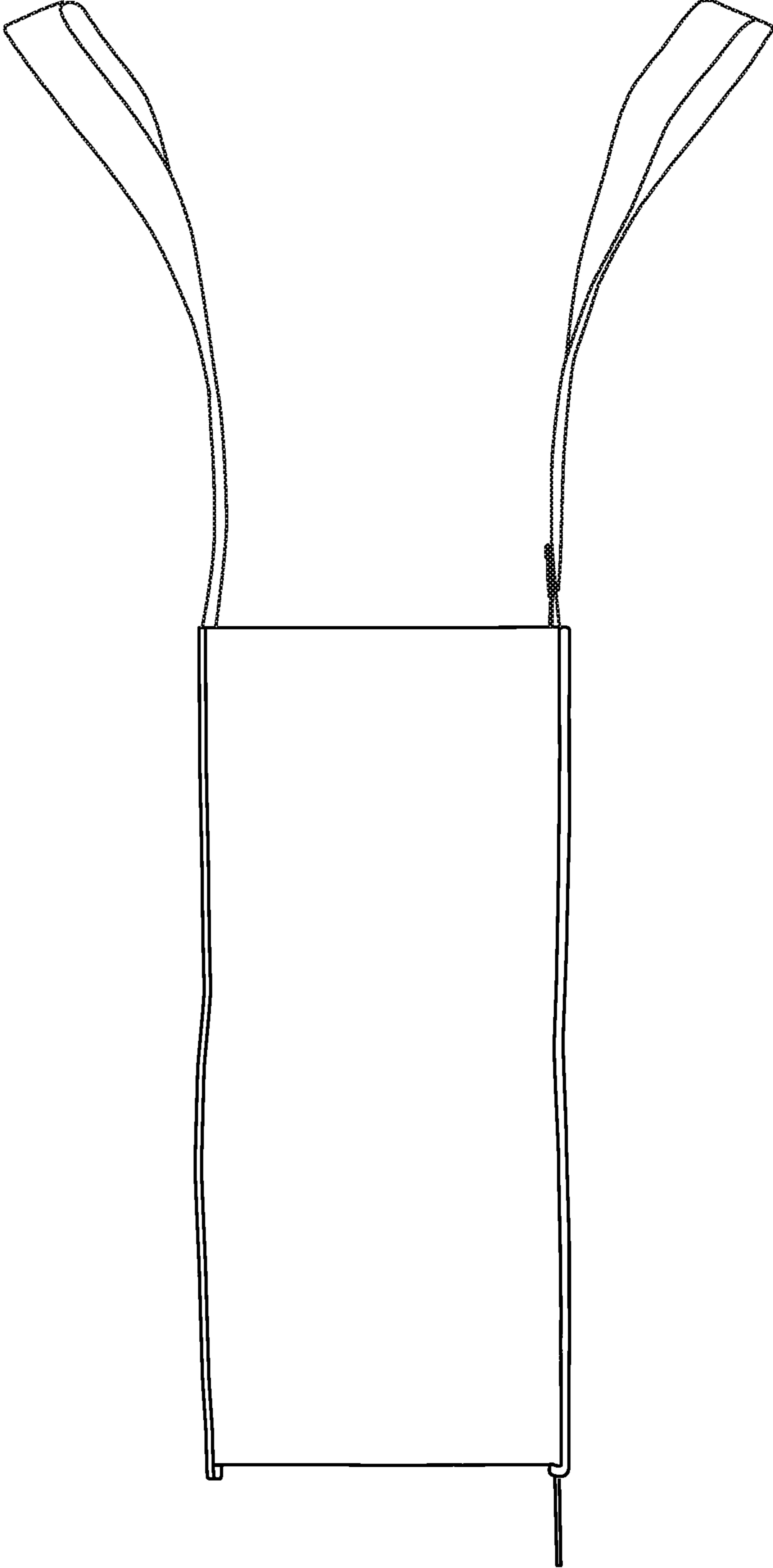


FIG 2

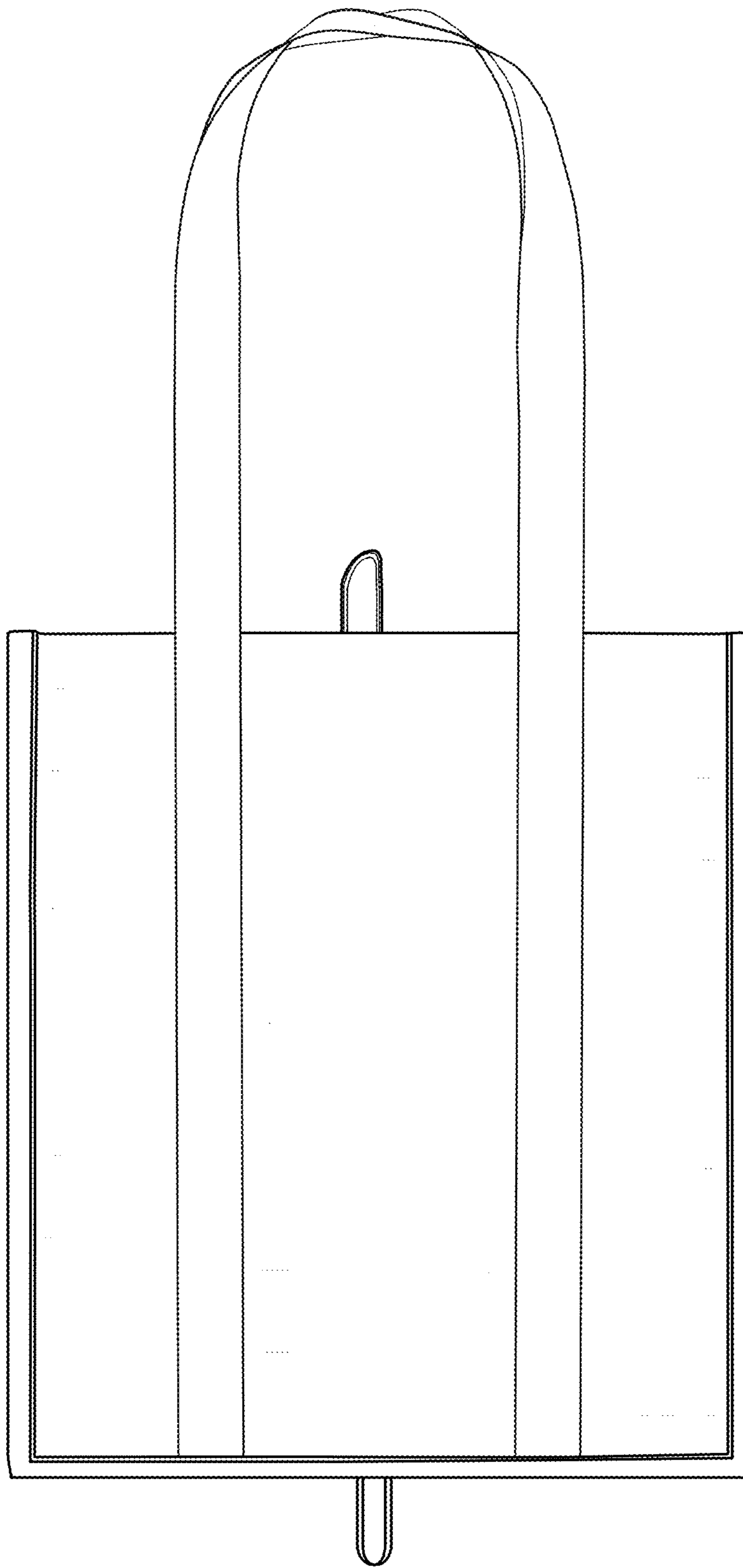


FIG 3

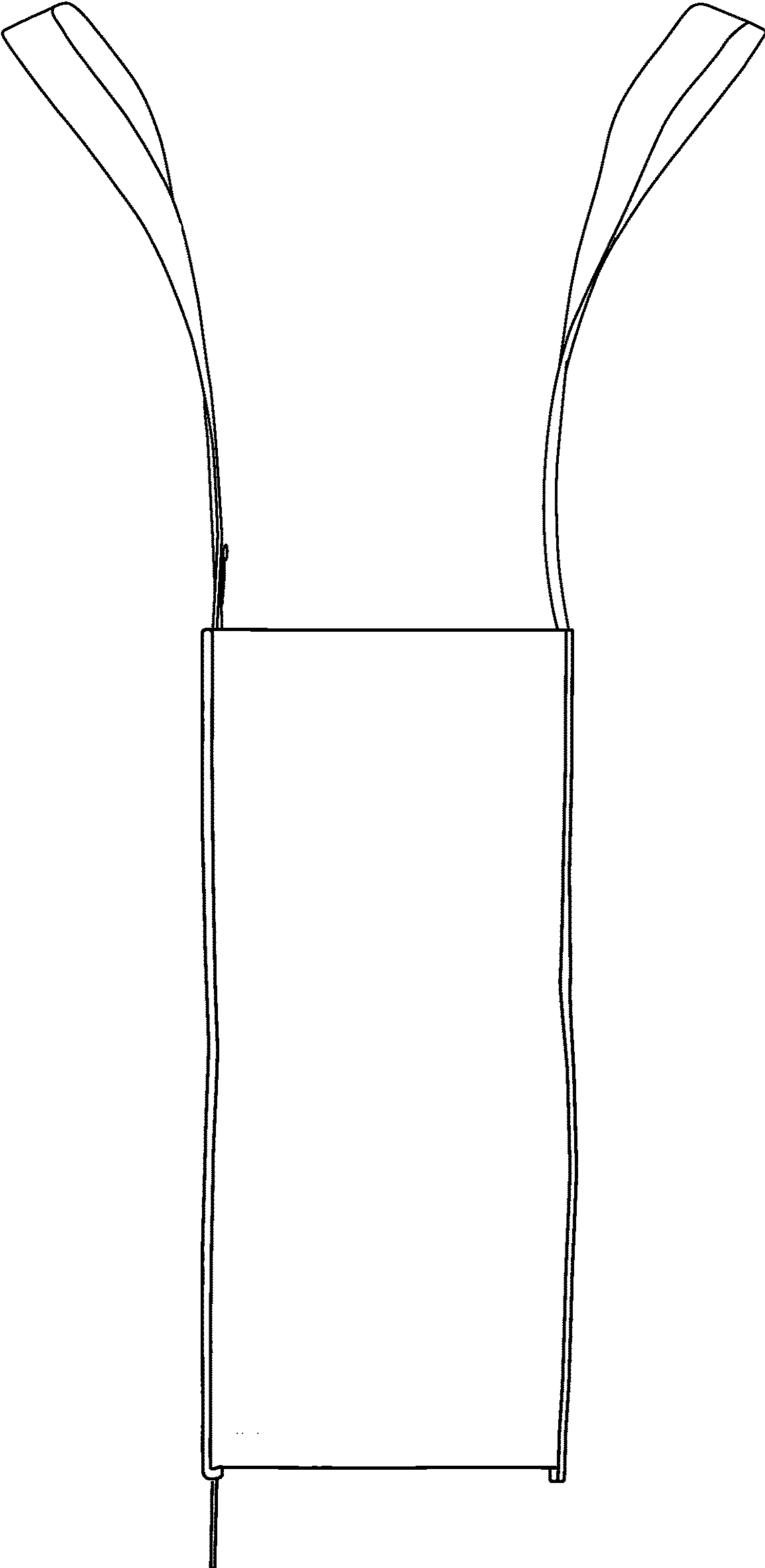


FIG 4

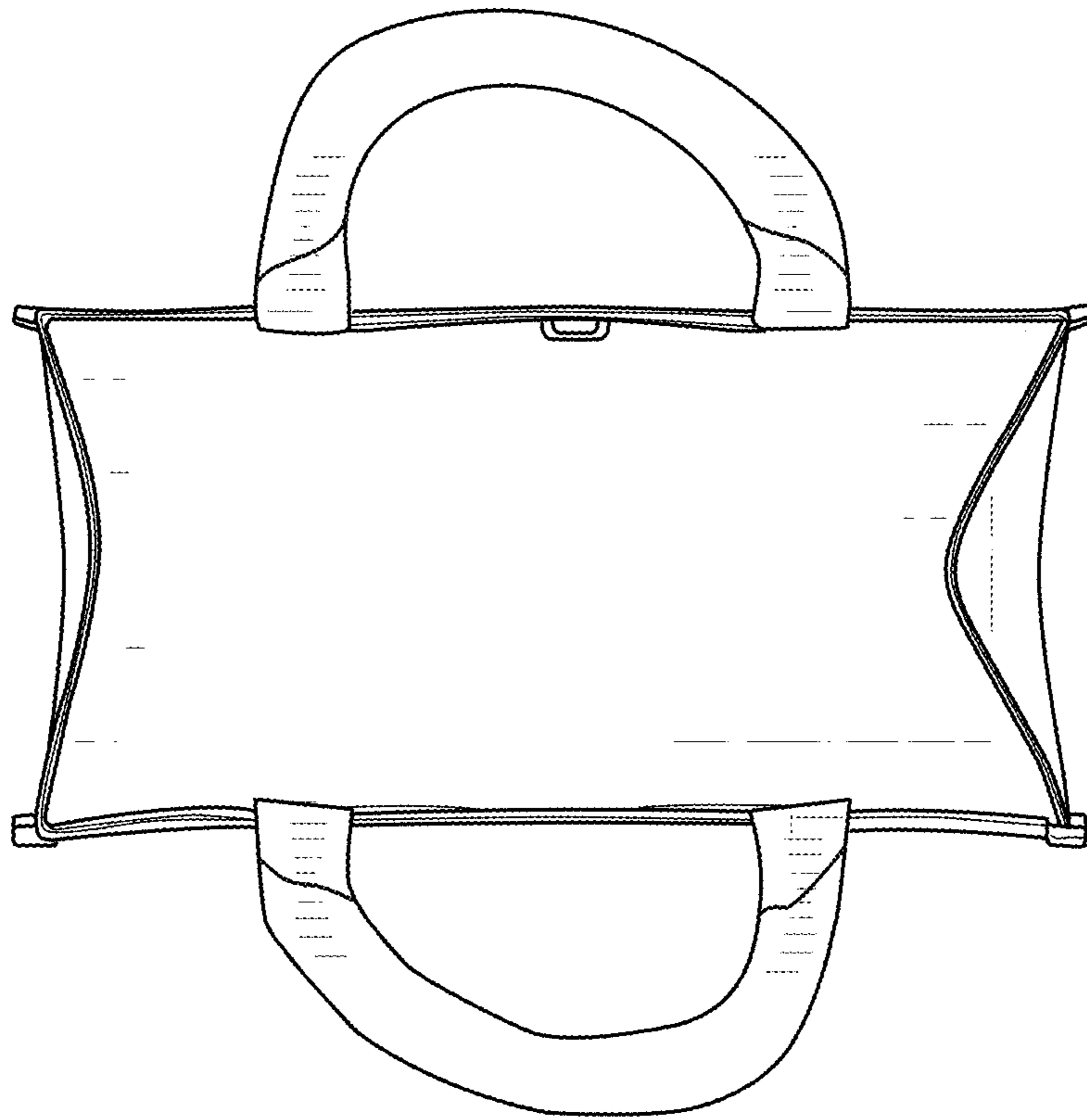


FIG 5

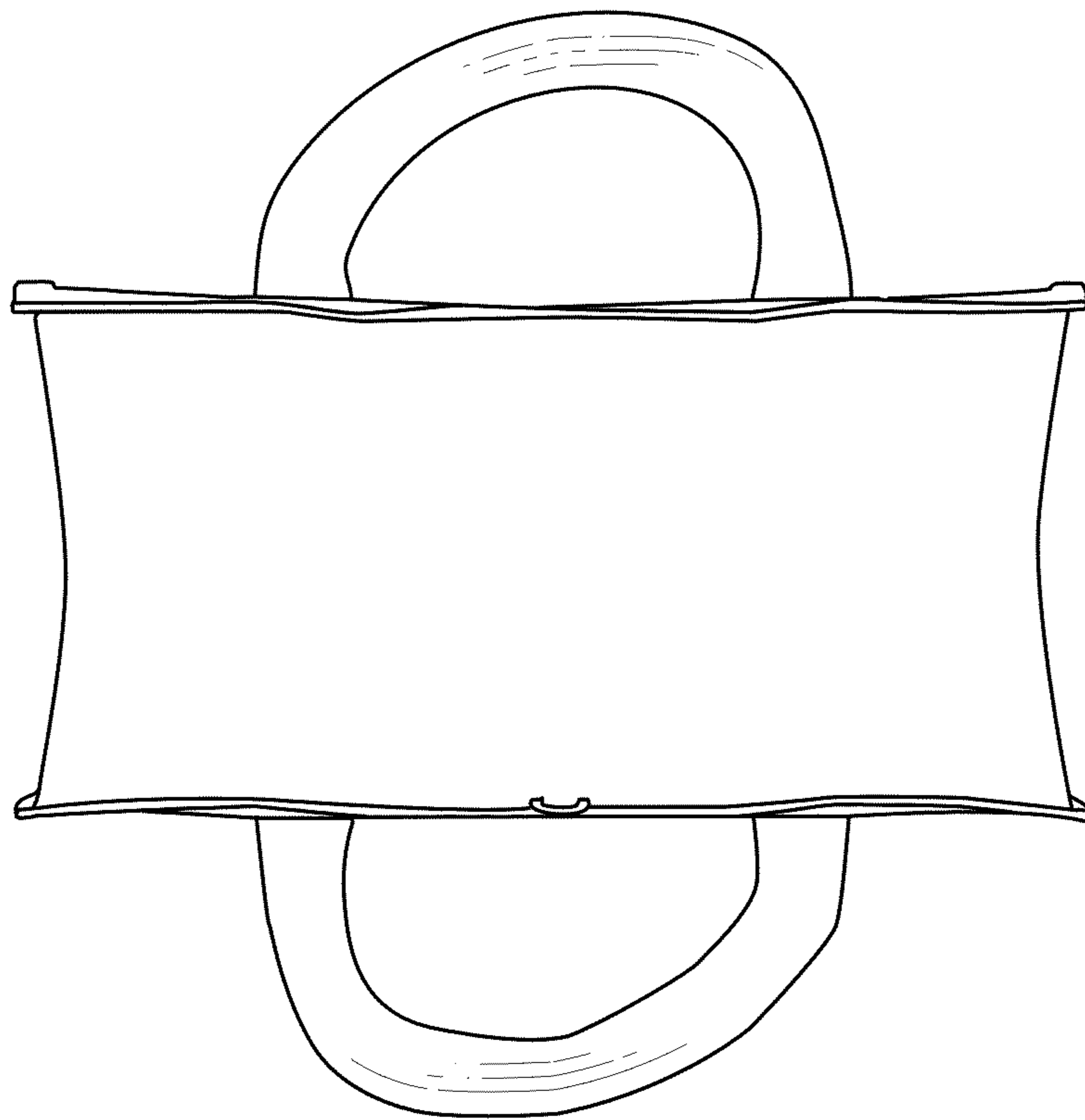


FIG 6

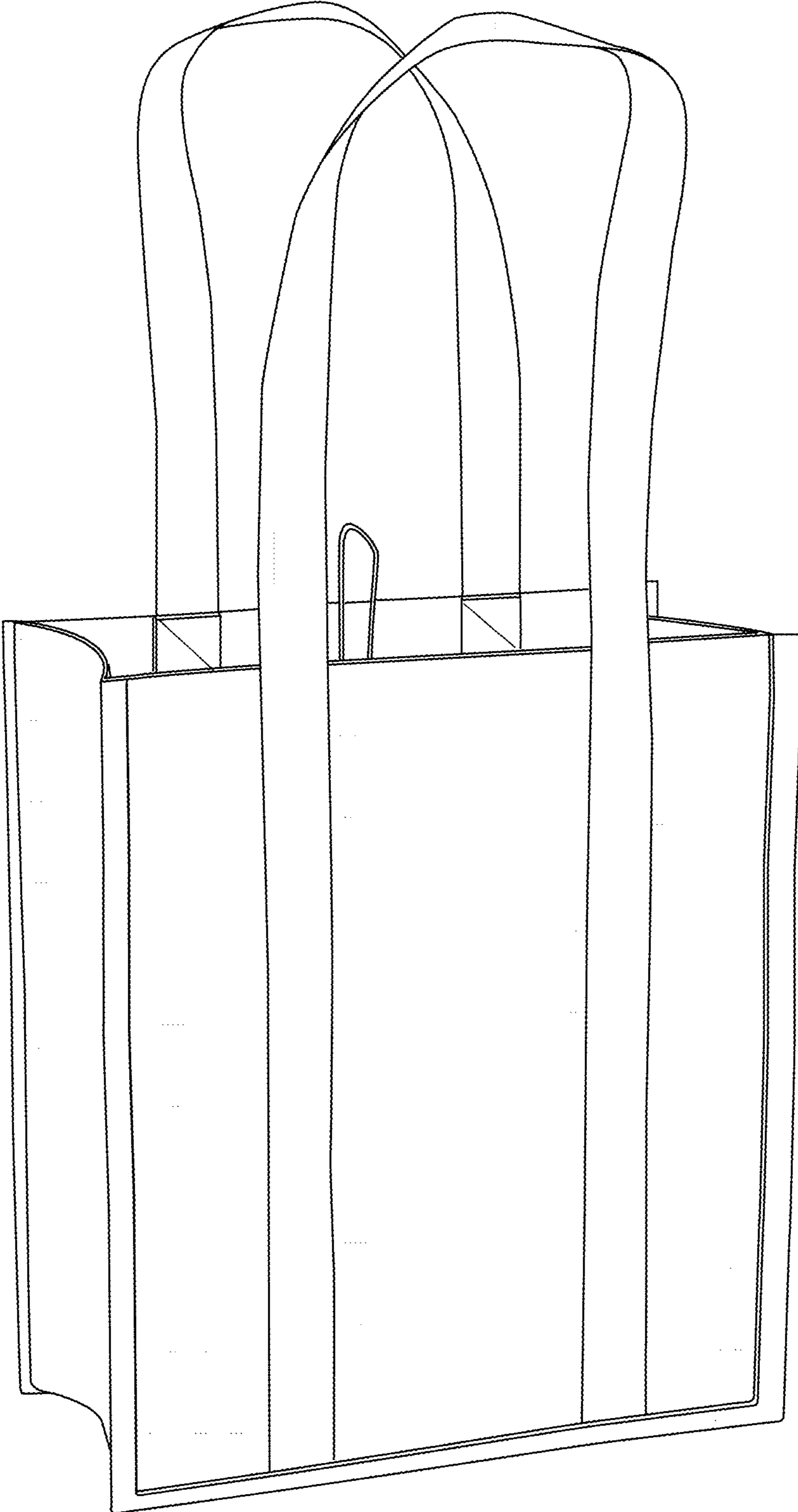


FIG 7



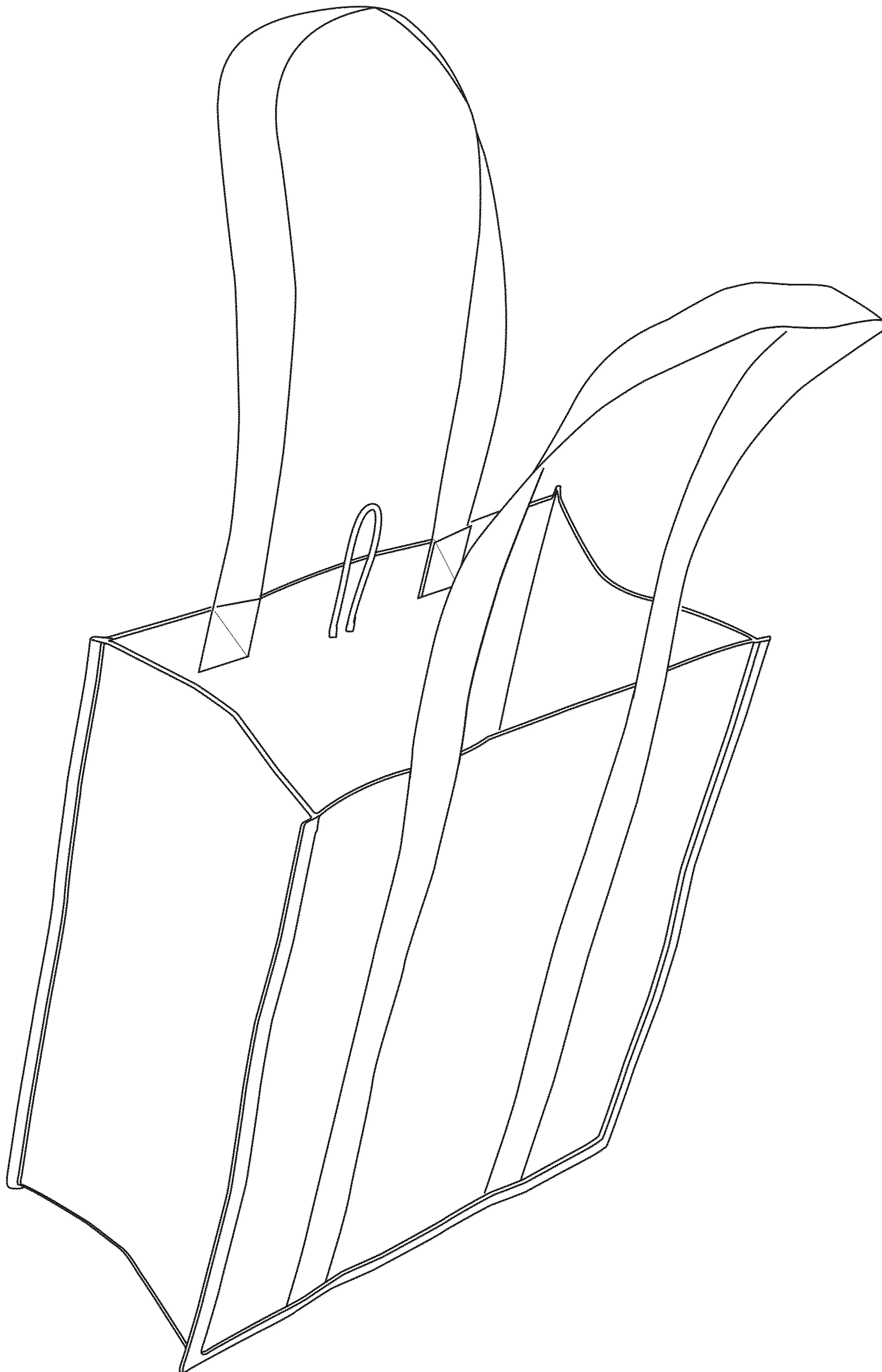


FIG 8

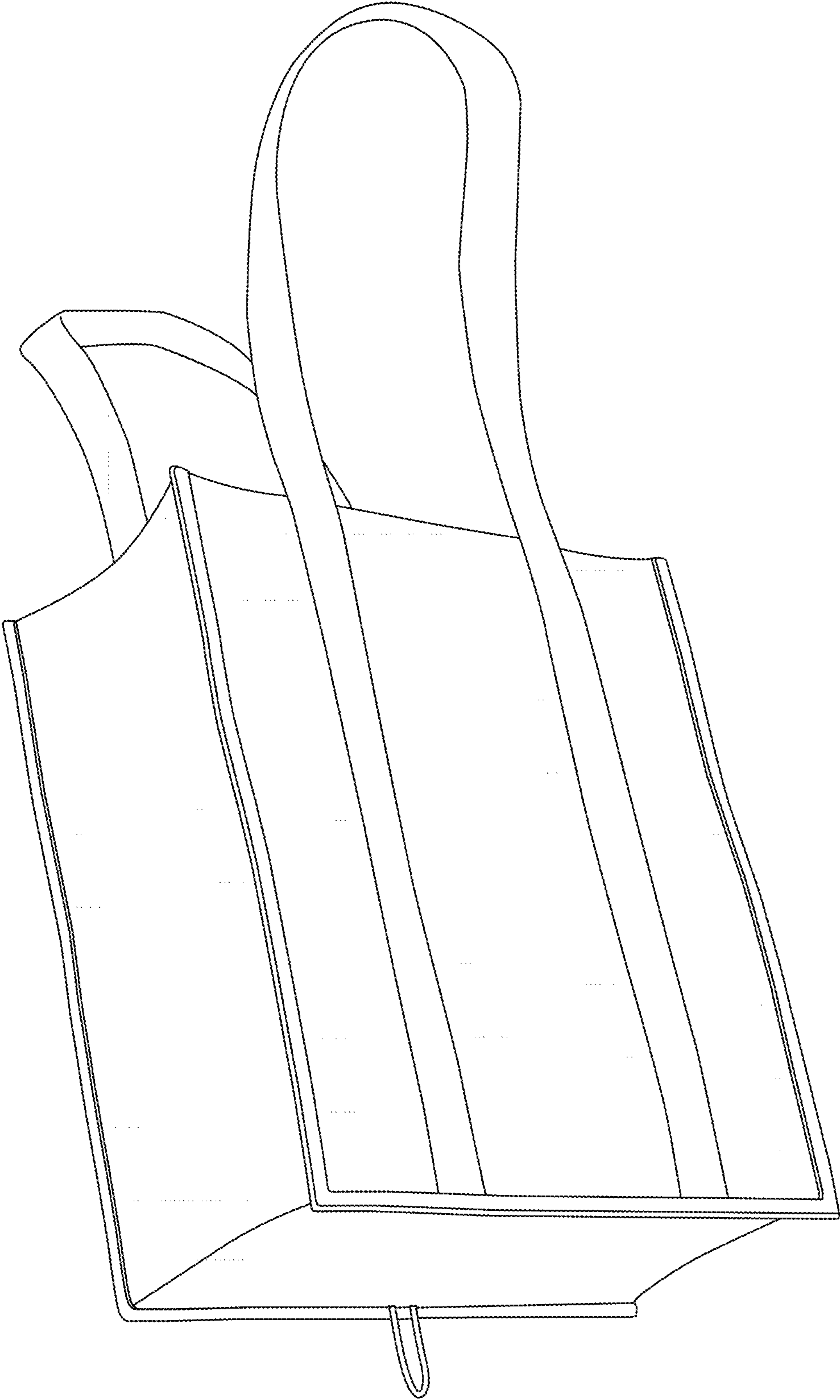


FIG 9