



US00D778044S

(12) **United States Design Patent** (10) **Patent No.:** **US D778,044 S**
Lee et al. (45) **Date of Patent:** **** Feb. 7, 2017**

(54) **BLUETOOTH EARSET CASE** 8,498,679 B2 * 7/2013 Yu H04M 1/0258
379/430
(71) Applicant: **LG ELECTRONICS INC.**, Seoul D724,453 S * 3/2015 Ogihara D10/70
(KR) D736,652 S * 8/2015 Isaacs D10/32
D747,714 S * 1/2016 Erbeus D10/32
(72) Inventors: **Sungho Lee**, Seoul (KR); **Joonhyung** 9,347,749 B2 * 5/2016 Olah F41H 9/10
Kim, Seoul (KR); **Kyubong Choi**, D759,516 S * 6/2016 Ling D10/30
Seoul (KR) 2007/0042821 A1 * 2/2007 Lee H04M 1/6066
455/575.6

(73) Assignee: **LG Electronics Inc.**, Seoul (KR)

(**) Term: **15 Years**

(21) Appl. No.: **29/534,847**

(22) Filed: **Jul. 31, 2015**

(30) **Foreign Application Priority Data**

Feb. 2, 2015 (KR) 30-2015-0005715

(51) **LOC (10) Cl.** **03-01**

(52) **U.S. Cl.**
USPC **D3/218**

(58) **Field of Classification Search**
USPC . D3/218, 215; D10/30-33, 65, 70; 379/430;
381/182, 370, 381, 384, 388; 455/550.1,
455/569.1, 575.1, 575.2, 575.6;
D14/204-205, 240, 344
CPC A44C 5/00-5/16; G04B 37/00-37/228;
H04R 1/10; H04R 1/1041; H04R 2420/07;
H04M 1/0258; H04M 1/6066; H04M
2250/22; F41H 9/10
See application file for complete search history.

(56) **References Cited**

U.S. PATENT DOCUMENTS

D637,918 S * 5/2011 Cobbett D10/31
D655,497 S * 3/2012 Stanley D3/218

* cited by examiner

Primary Examiner — Catheri Oliver-Garcia

(74) *Attorney, Agent, or Firm* — Birch, Stewart, Kolasch & Birch, LLP

(57) **CLAIM**

The ornamental design for a Bluetooth earset case, as shown and described.

DESCRIPTION

FIG. 1 is a perspective view of a Bluetooth earset case showing our new design;
FIG. 2 is a front view thereof;
FIG. 3 is a rear view thereof;
FIG. 4 is a left side view thereof;
FIG. 5 is a right side view thereof;
FIG. 6 is a top plan view thereof;
FIG. 7 is a bottom plan view thereof;
FIG. 8 is an exploded perspective view thereof; and,
FIG. 9 is a reference view thereof showing an example of the usage of the subject design in which time is indicated on the display part.

The broken lines depict portions of the Bluetooth earset case that form no part of the claimed design,

1 Claim, 8 Drawing Sheets

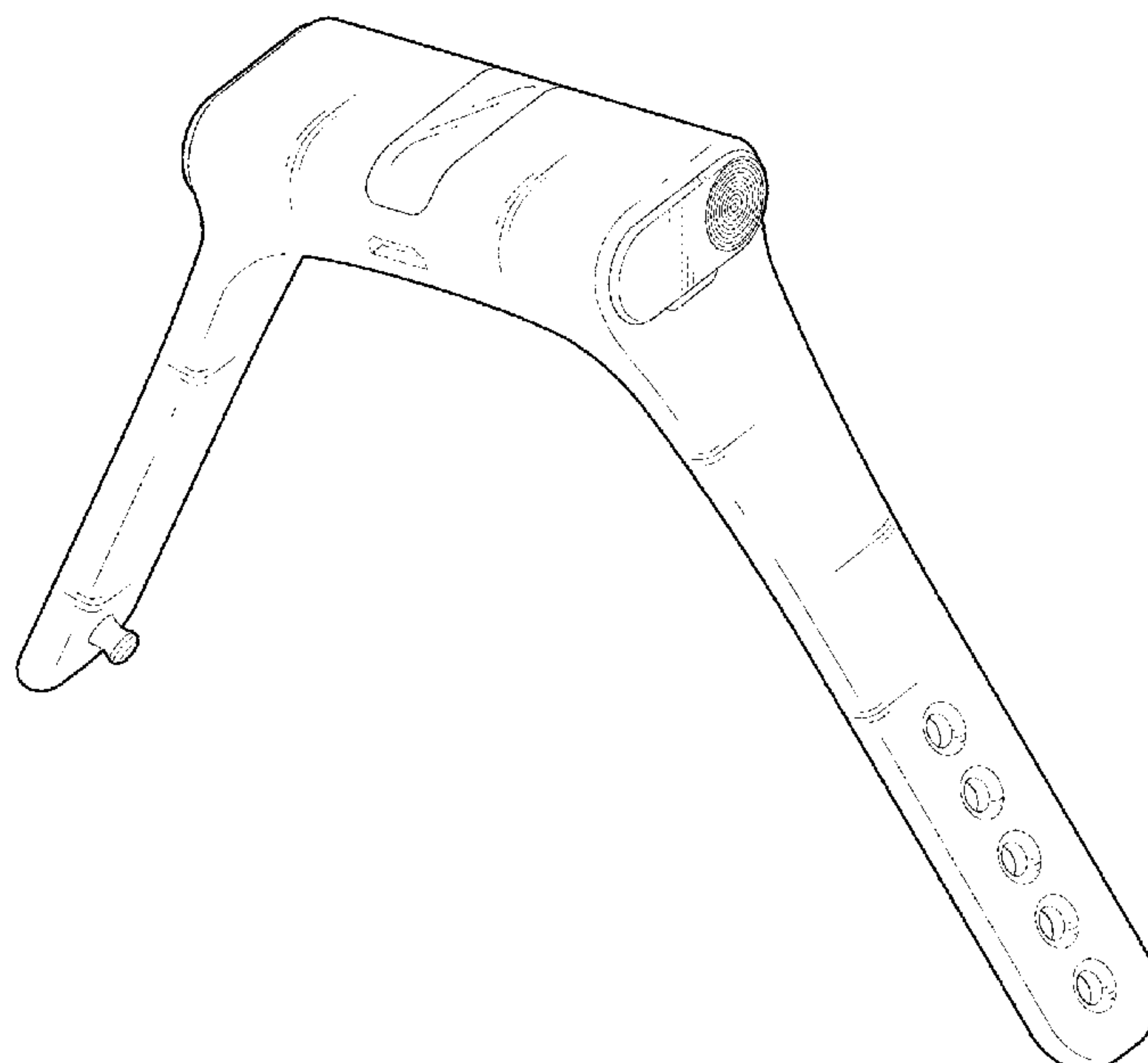


FIG. 1

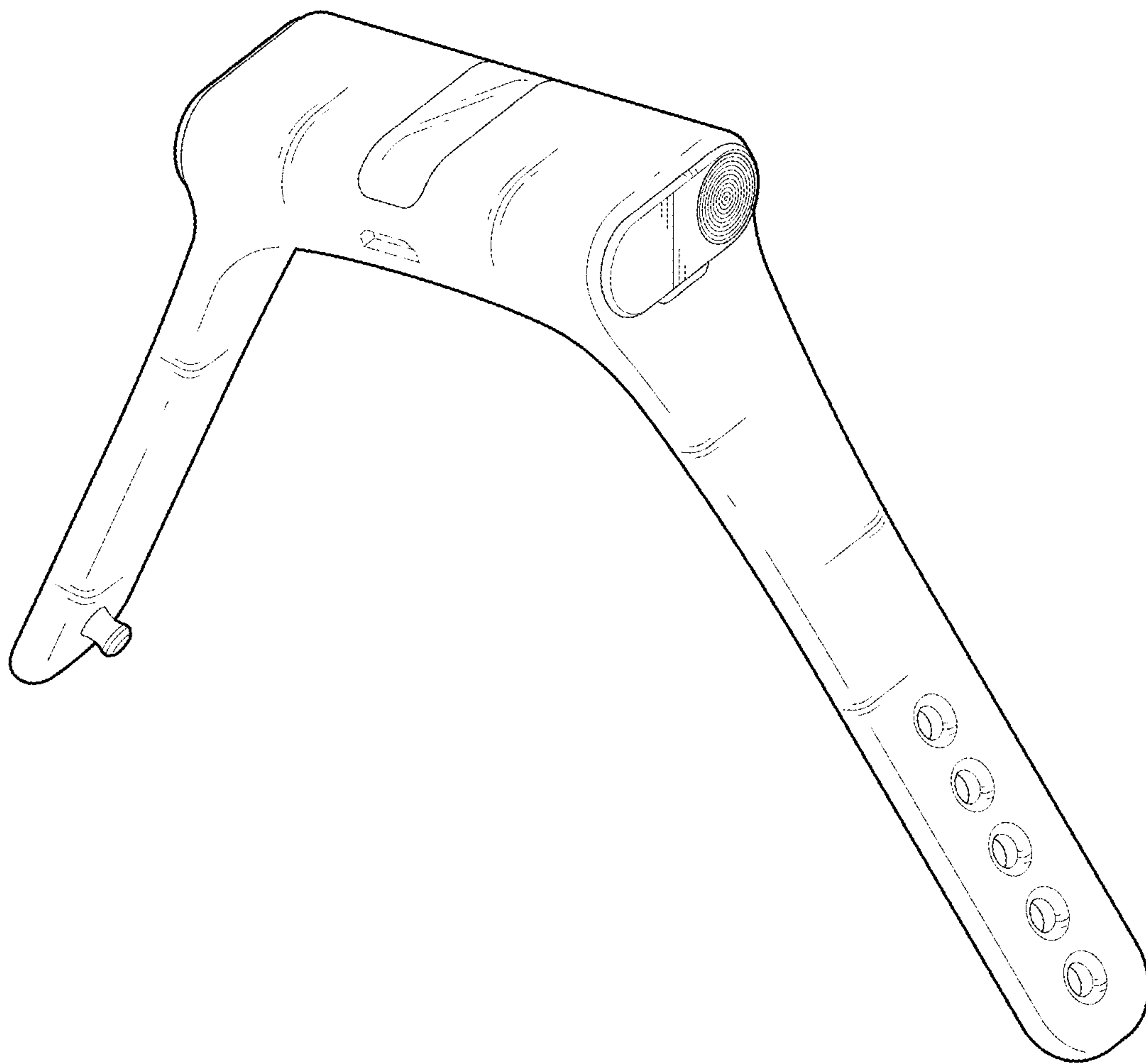


FIG. 2

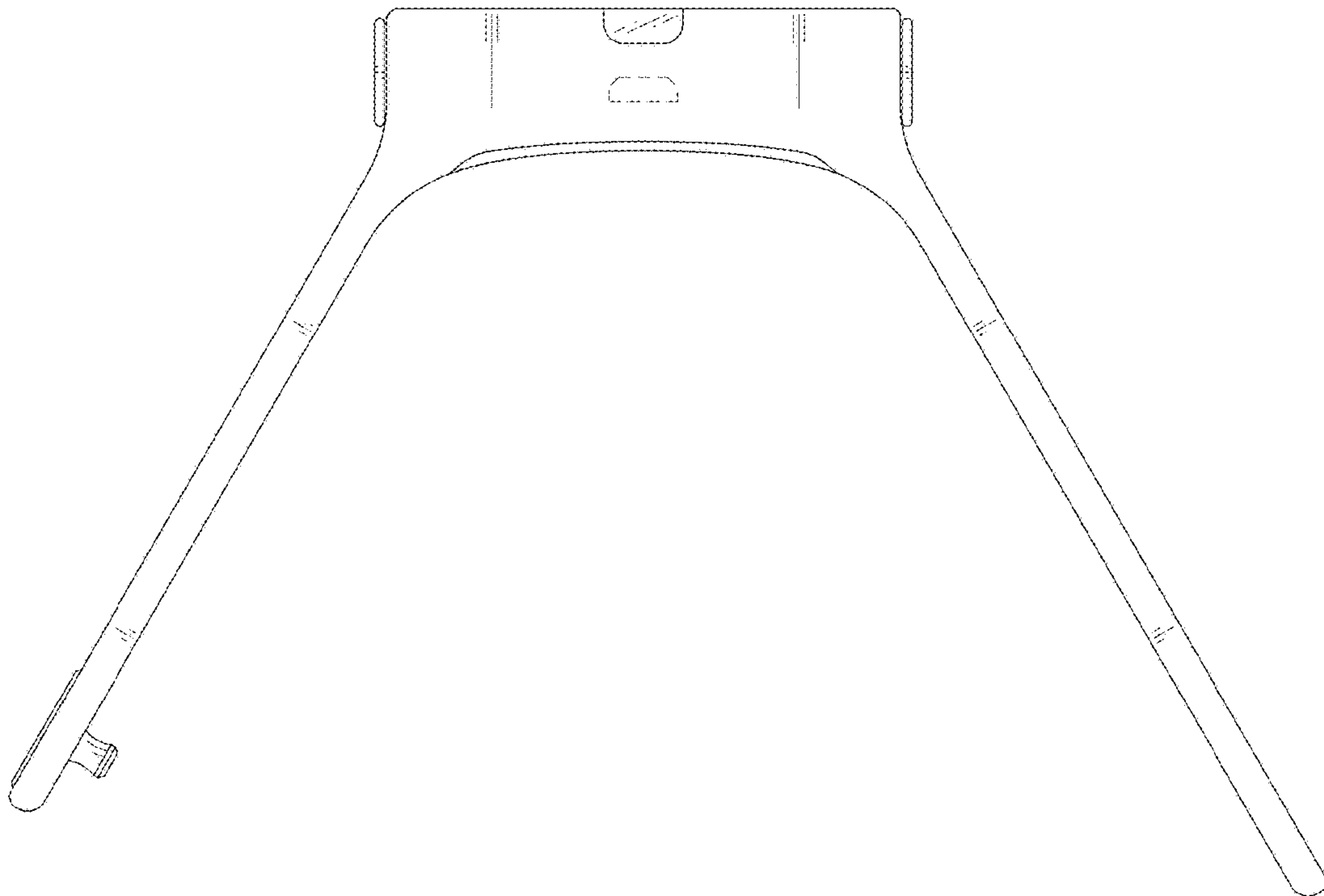


FIG. 3

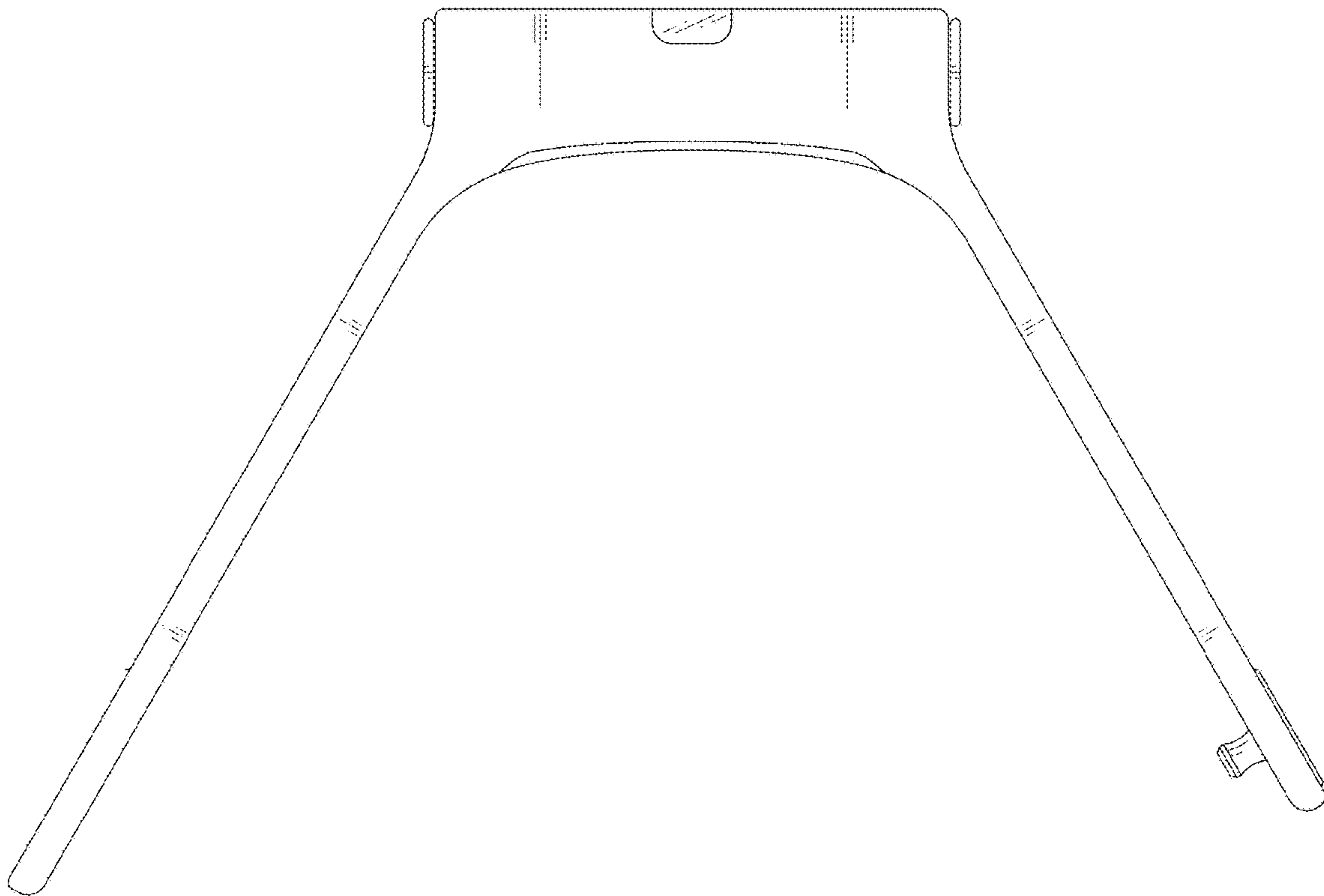


FIG. 4

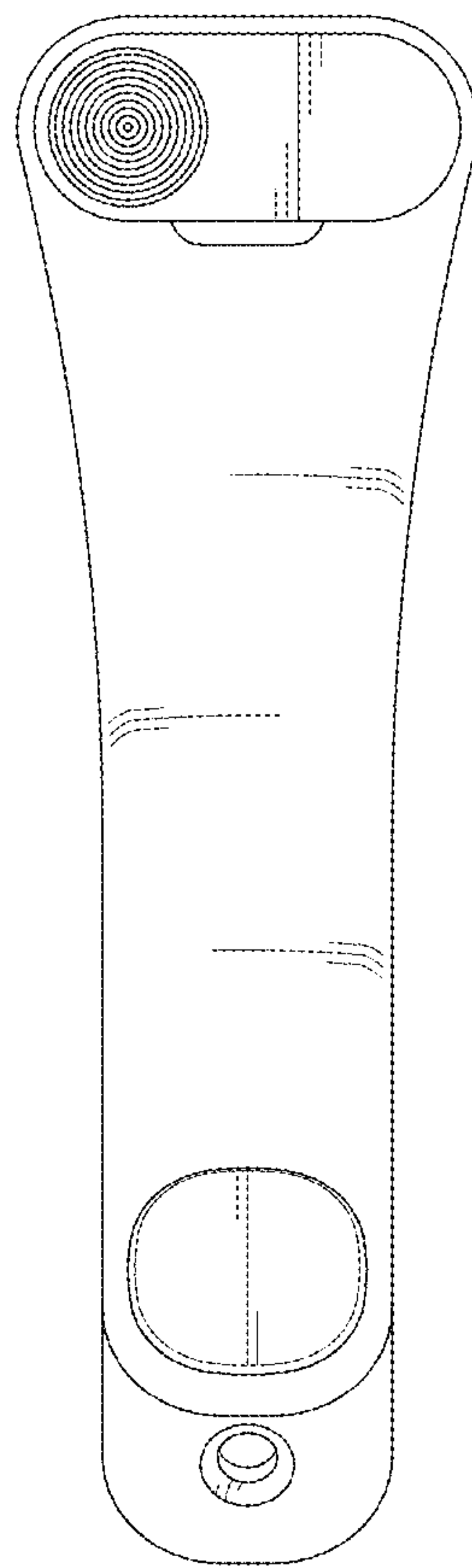


FIG. 5

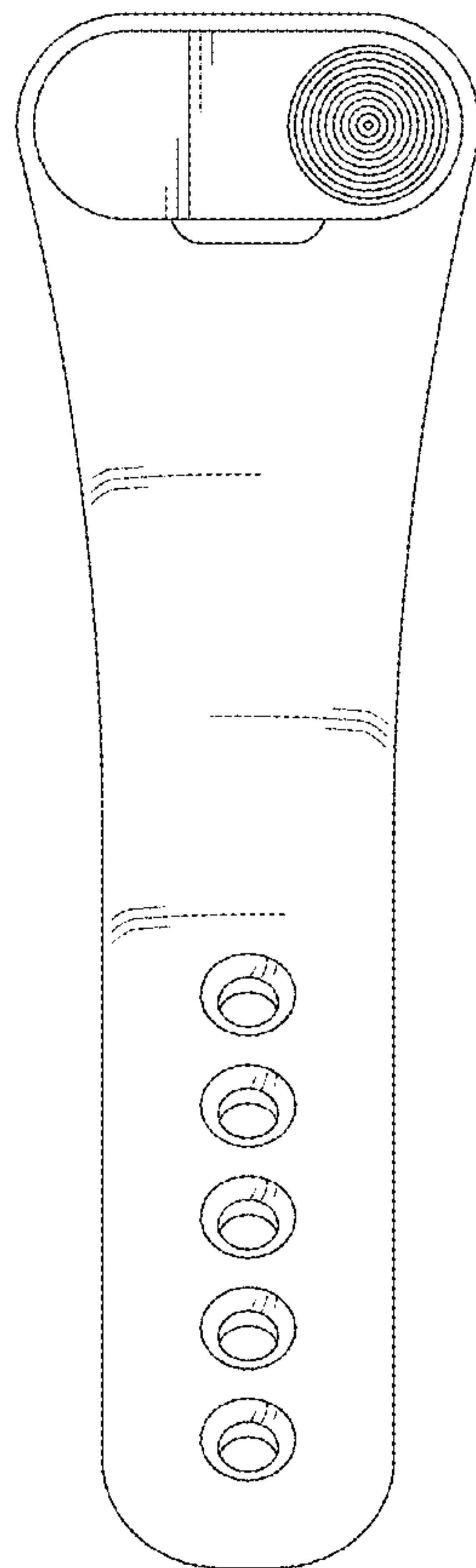


FIG. 6

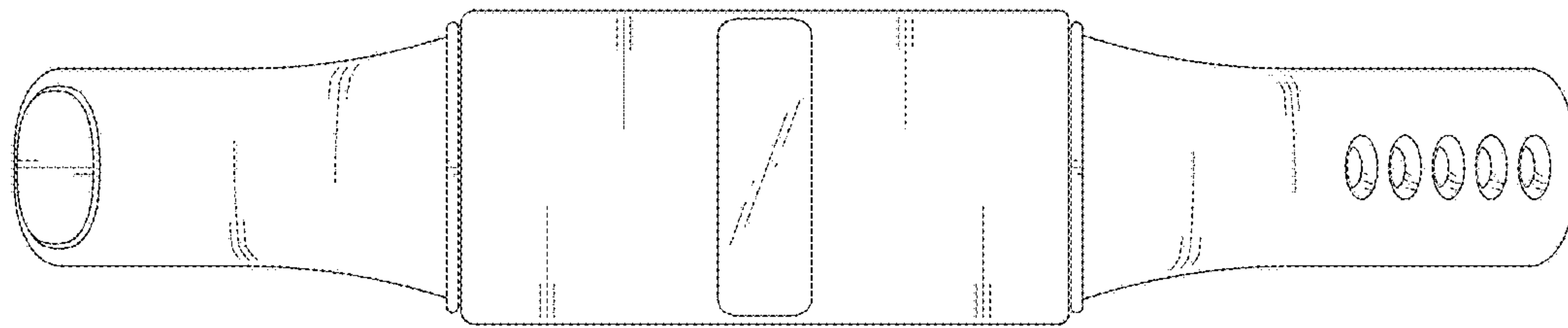


FIG. 7

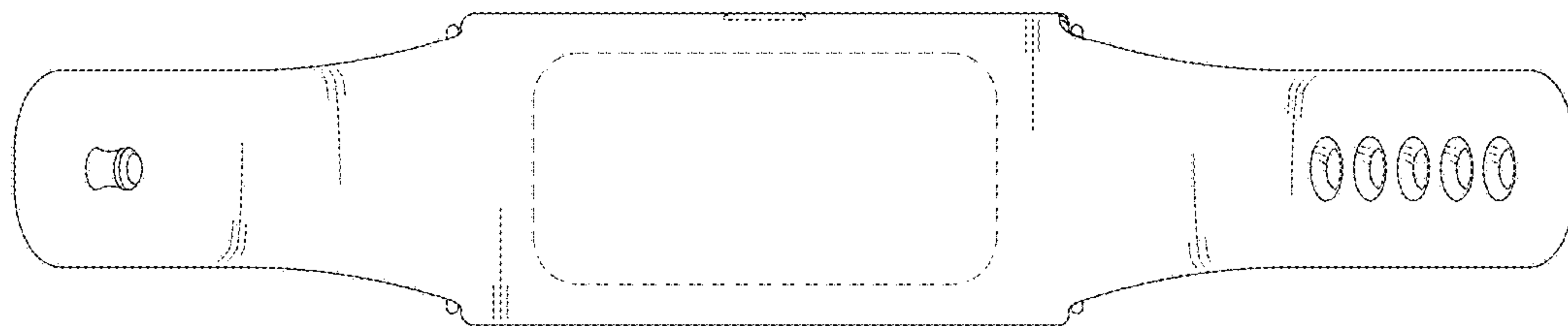


FIG. 8

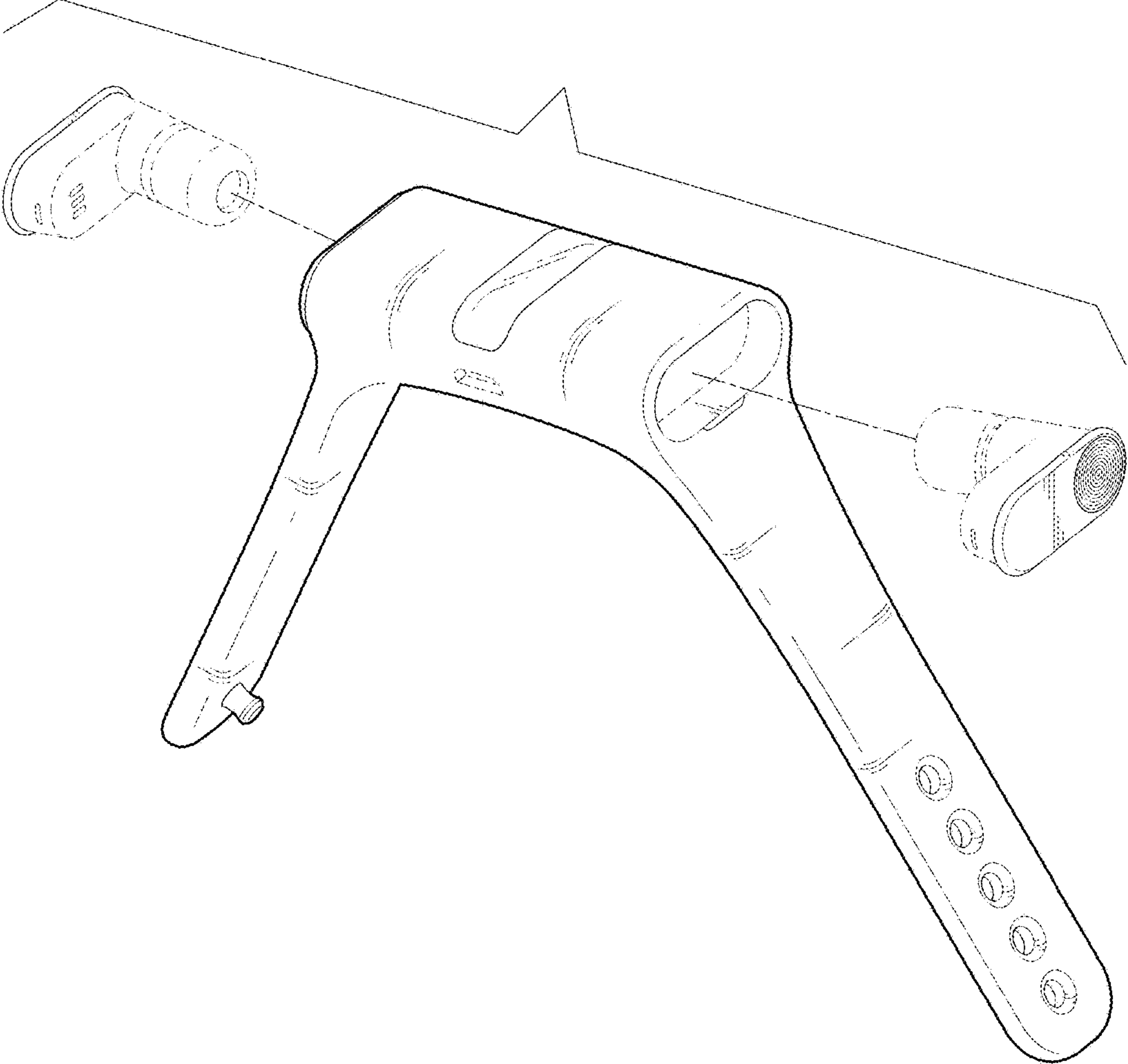


FIG. 9

