



US00D778042S

(12) **United States Design Patent** (10) **Patent No.:** **US D778,042 S**
Provost et al. (45) **Date of Patent:** **** Feb. 7, 2017**

(54) **SHAVING RAZOR TRAVEL TRAY**
(71) Applicant: **SHAVELOGIC, INC.**, Plano, TX (US)
(72) Inventors: **Craig A. Provost**, Providence, RI (US);
John W. Griffin, Moultonborough, NH (US); **William E. Tucker**, Attleboro, MA (US)
(73) Assignee: **SHAVELOGIC, INC.**, Dallas, TX (US)
(**) Term: **14 Years**

D630,527 S * 1/2011 Wonderley D9/749
D634,649 S * 3/2011 Wonderley D9/749
2015/0047481 A1* 2/2015 Nicoll B26B 21/4081
83/22

* cited by examiner

Primary Examiner — Derrick Holland
Assistant Examiner — Lauren Calve

(74) *Attorney, Agent, or Firm* — Leber IP Law

(21) Appl. No.: **29/502,246**
(22) Filed: **Sep. 12, 2014**
(51) **LOC (10) Cl.** **03-02**
(52) **U.S. Cl.**
USPC **D3/205; D9/749**
(58) **Field of Classification Search**
USPC D9/737, 748, 749; D6/512, 526; D3/201,
D3/205; 206/208, 228, 244, 252, 352,
206/354-360, 493, 775; 30/42-46, 514
CPC . B65D 73/0064; B65D 73/0014; B65D 77/26;
B65D 85/1081; B65D 5/5016; B65D
71/70; B65D 25/106; B65D 25/22; B26B
21/40; B26B 21/36; B26B 19/3853; B26B
19/14; B26B 19/38; B26B 19/382; B26B
19/3813
See application file for complete search history.

(57) **CLAIM**

The ornamental design for a shaving razor travel tray, as shown and described.

DESCRIPTION

FIG. 1 is a top-left front perspective view of a shaving razor travel tray;
FIG. 2 is a top plan view thereof;
FIG. 3 is a right elevational view thereof, the left-side elevational view being a mirror image thereof;
FIG. 4 is bottom plan thereof;
FIG. 5 is a front elevational view thereof;
FIG. 6 is a rear elevational view thereof; and,
FIG. 7 is a top-left front perspective view thereof, shown in environmental use.
The broken lines shown represent unclaimed subject matter and form no part of the claimed design.

(56) **References Cited**
U.S. PATENT DOCUMENTS
D533,466 S * 12/2006 Wonderley D9/749
D614,507 S * 4/2010 Lukan D9/749

1 Claim, 4 Drawing Sheets

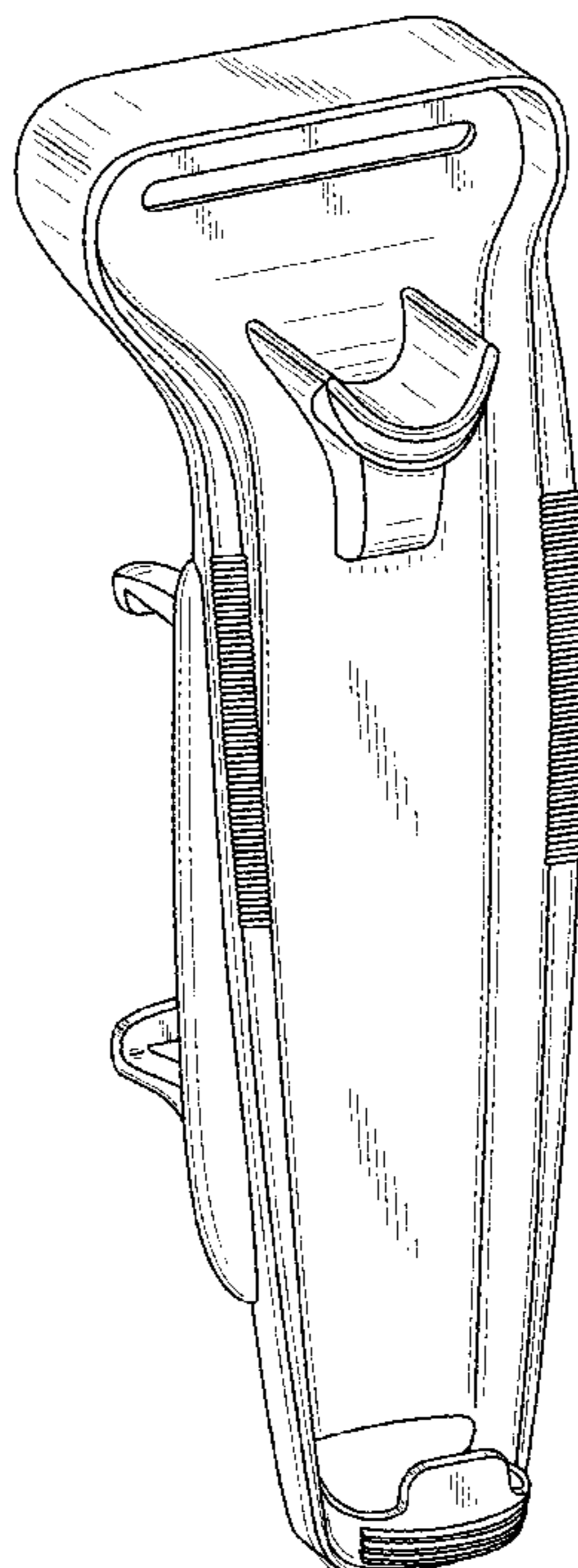


FIG. 1

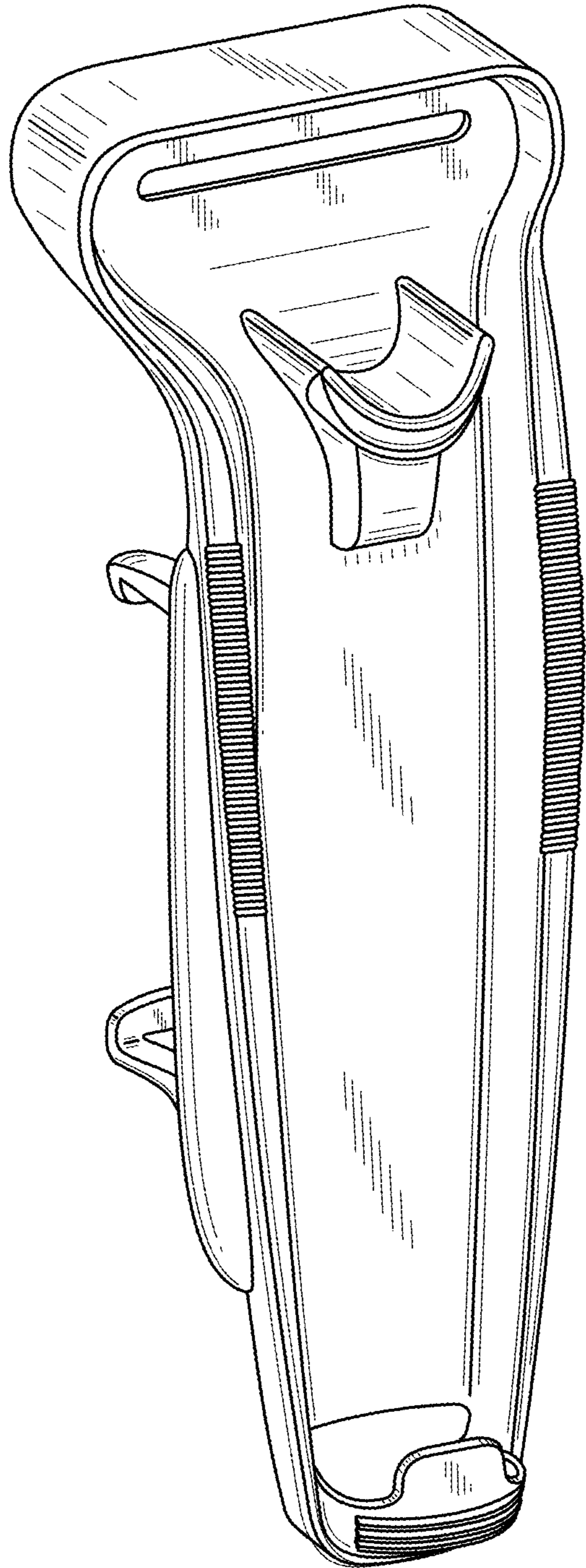


FIG. 4

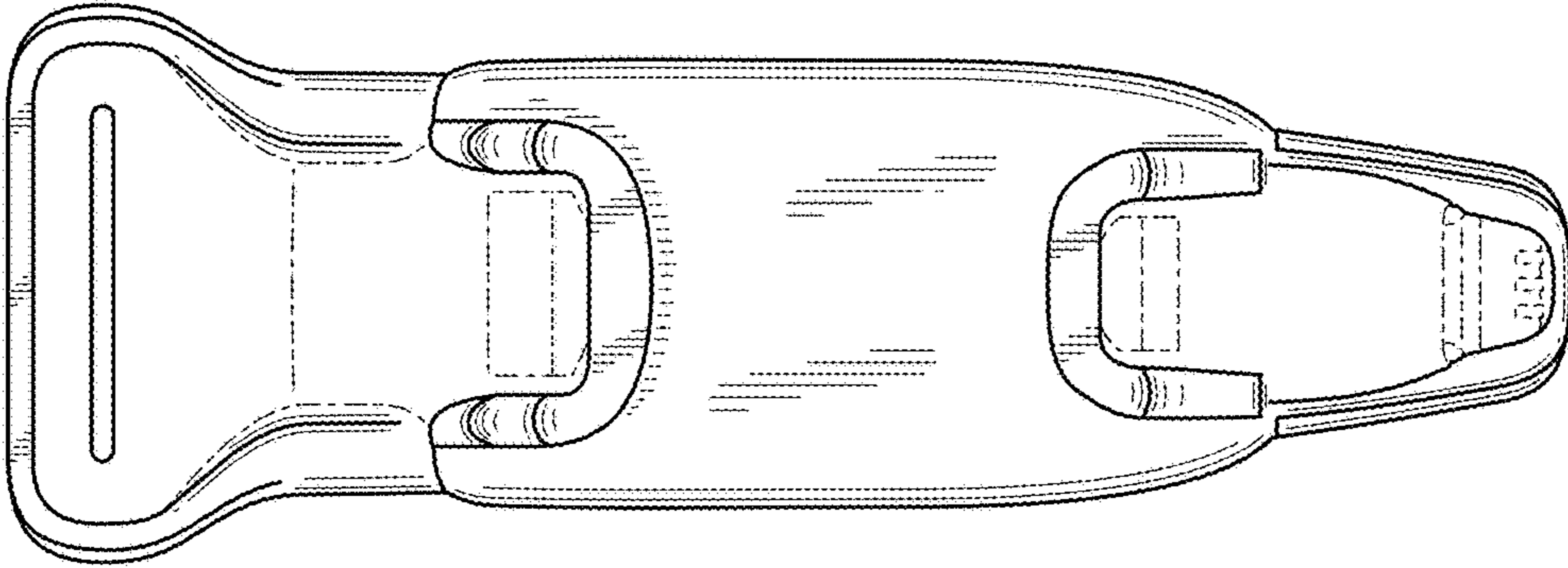


FIG. 3

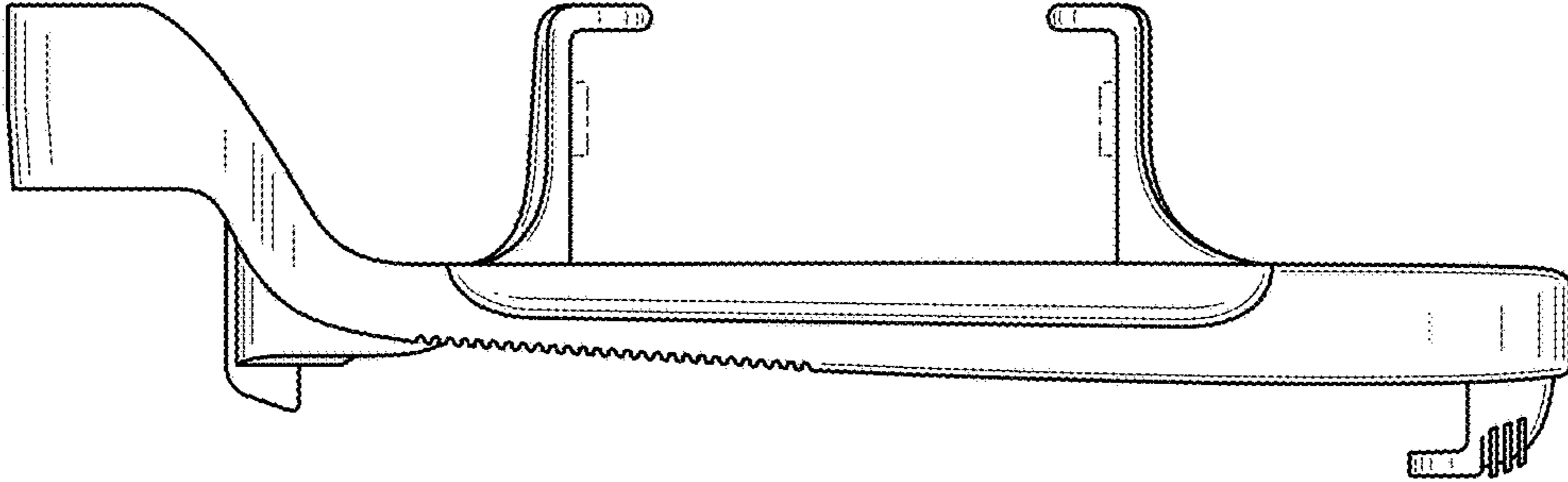


FIG. 2

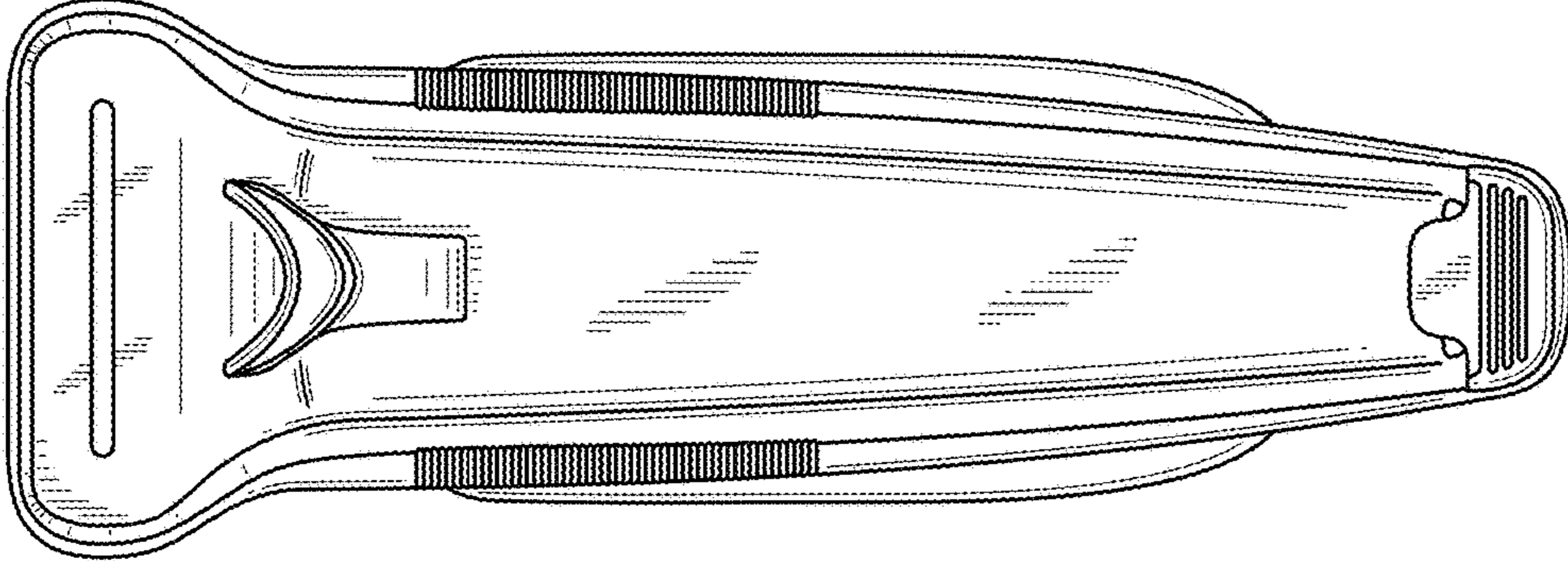


FIG. 5

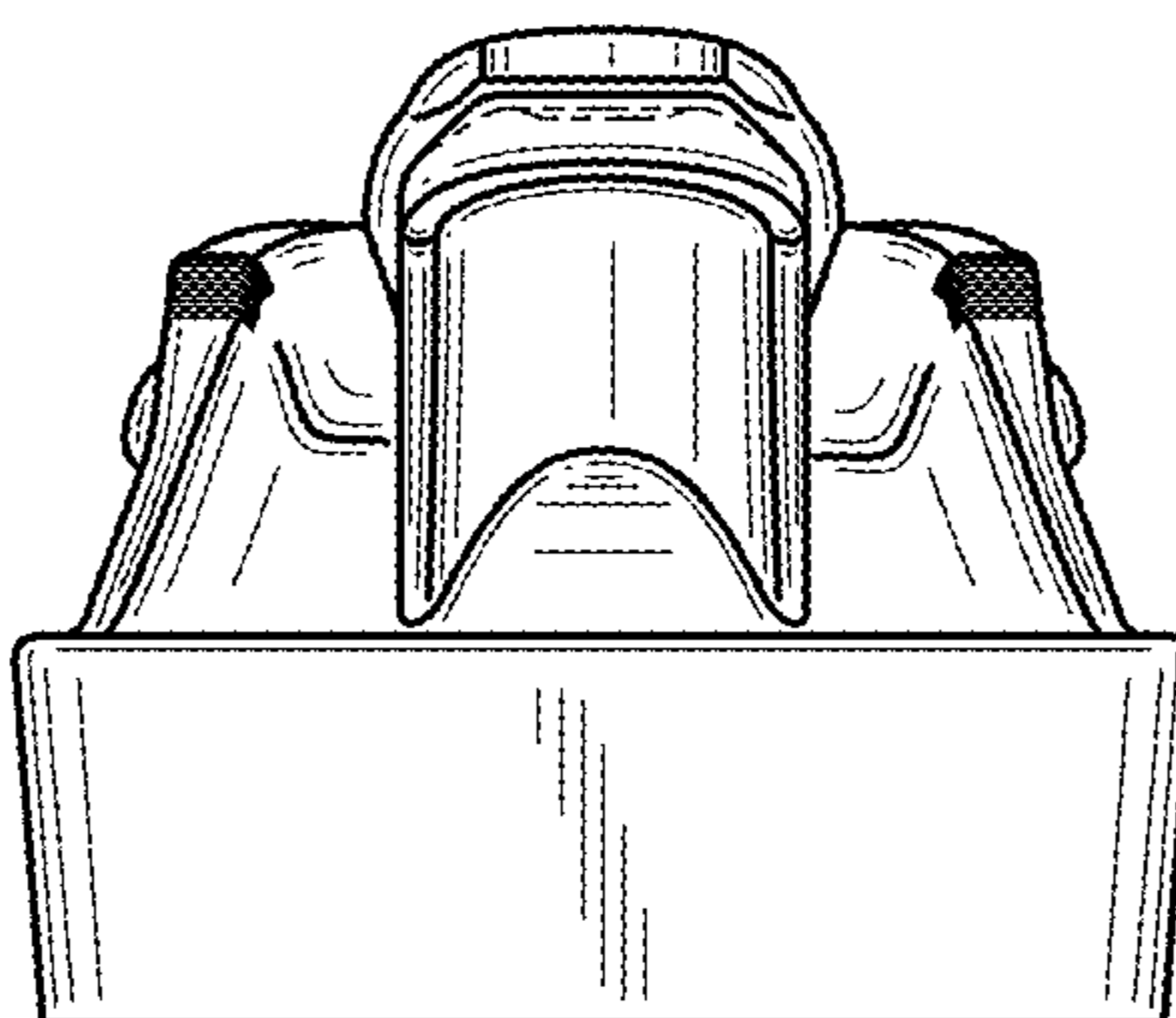


FIG. 6

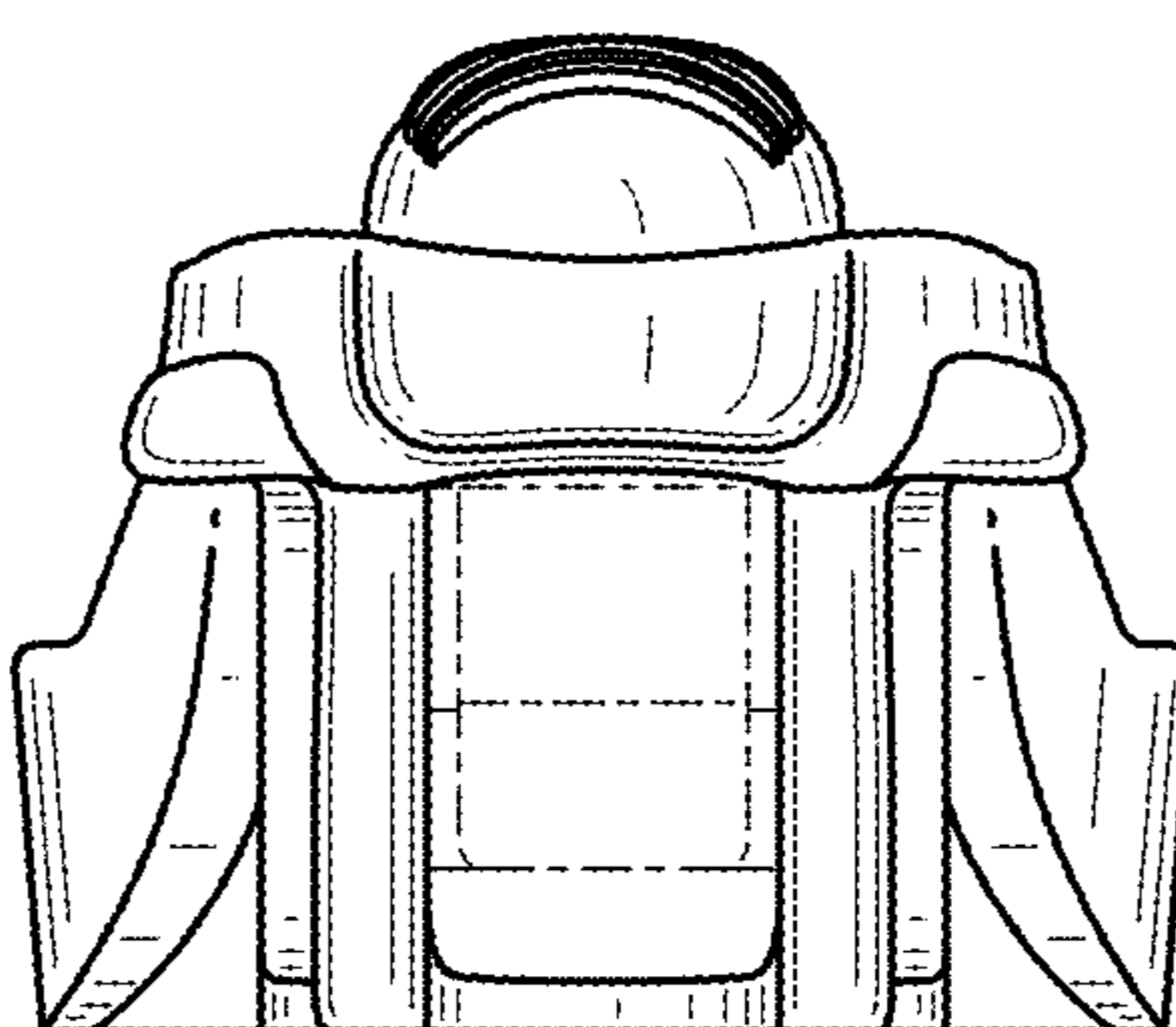


FIG. 7

