



US00D778034S

(12) **United States Design Patent**  
**Chapman et al.**

(10) **Patent No.:** **US D778,034 S**

(45) **Date of Patent:** **\*\* Feb. 7, 2017**

(54) **HOODIE**

(71) Applicants: **Shelly Chapman**, Las Vegas, NV (US);  
**Daniel Chapman**, Las Vegas, NV (US);  
**Shannon Chapman**, Las Vegas, NV  
(US)

(72) Inventors: **Shelly Chapman**, Las Vegas, NV (US);  
**Daniel Chapman**, Las Vegas, NV (US);  
**Shannon Chapman**, Las Vegas, NV  
(US)

(\*\*) Term: **14 Years**

(21) Appl. No.: **29/521,563**

(22) Filed: **Mar. 24, 2015**

(51) **LOC (10) Cl.** ..... **02-02**

(52) **U.S. Cl.**  
USPC ..... **D2/831**

(58) **Field of Classification Search**  
USPC ..... D2/750, 870, 828, 880, 878, 879, 831;  
D11/136; 2/202; D29/102  
CPC ..... A41D 3/02; A42B 1/004  
See application file for complete search history.

(56) **References Cited**

**U.S. PATENT DOCUMENTS**

D211,031 S *	5/1968	Eddy	.....	D11/136
D235,941 S *	7/1975	Stock	.....	D2/870
D362,106 S *	9/1995	Wauldron	.....	D2/870
D385,088 S *	10/1997	Handysides	.....	D2/828
6,370,692 B1 *	4/2002	Duyn	.....	A41D 3/02
				2/202
D539,011 S *	3/2007	Molesky	.....	D2/880
D539,514 S *	4/2007	Talley	.....	D2/878
D559,502 S *	1/2008	Lanphere, Jr.	.....	D2/870
D586,087 S *	2/2009	Henf	.....	D2/879
D609,432 S *	2/2010	Jennings	.....	D2/720

D628,748 S *	12/2010	Stewart	.....	D29/102
D635,332 S *	4/2011	DeRobertis	.....	D2/831
D638,612 S *	5/2011	Benderradji	.....	D2/728

(Continued)

**FOREIGN PATENT DOCUMENTS**

CA	100226	*	9/2003
CA	147472	*	11/2014

**OTHER PUBLICATIONS**

Play Hard, Play Smart, Play with H.E.A.R.T, Announced Sep. 5, 2013, [ Site Visited Mar. 30, 2016 ]<http://www.heartathleticllc.com/the-helmet-hoody/>.\*

*Primary Examiner* — John Windmuller

*Assistant Examiner* — Luqman McNeil

(74) *Attorney, Agent, or Firm* — Newman Law, LLC

(57) **CLAIM**

The ornamental design for a hoodie, as shown and described herein.

**DESCRIPTION**

FIG. 1 is a perspective view of the hoodie showing our new design;

FIG. 2 is a front view of the hoodie shown in FIG. 1;

FIG. 3 is a side view of the hoodie shown in FIG. 1;

FIG. 4 is a side view of the opposing side of the hoodie shown in FIG. 1;

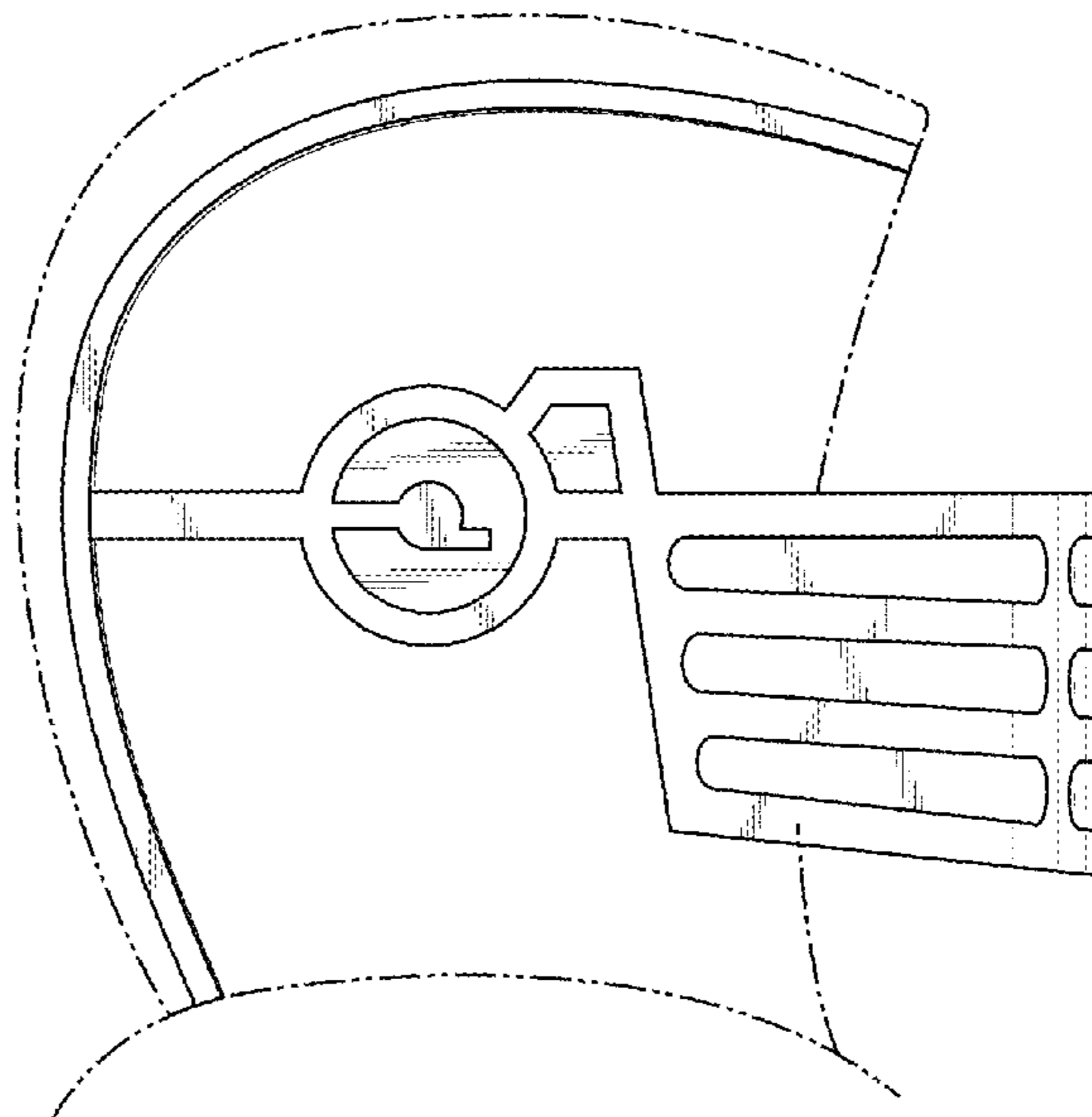
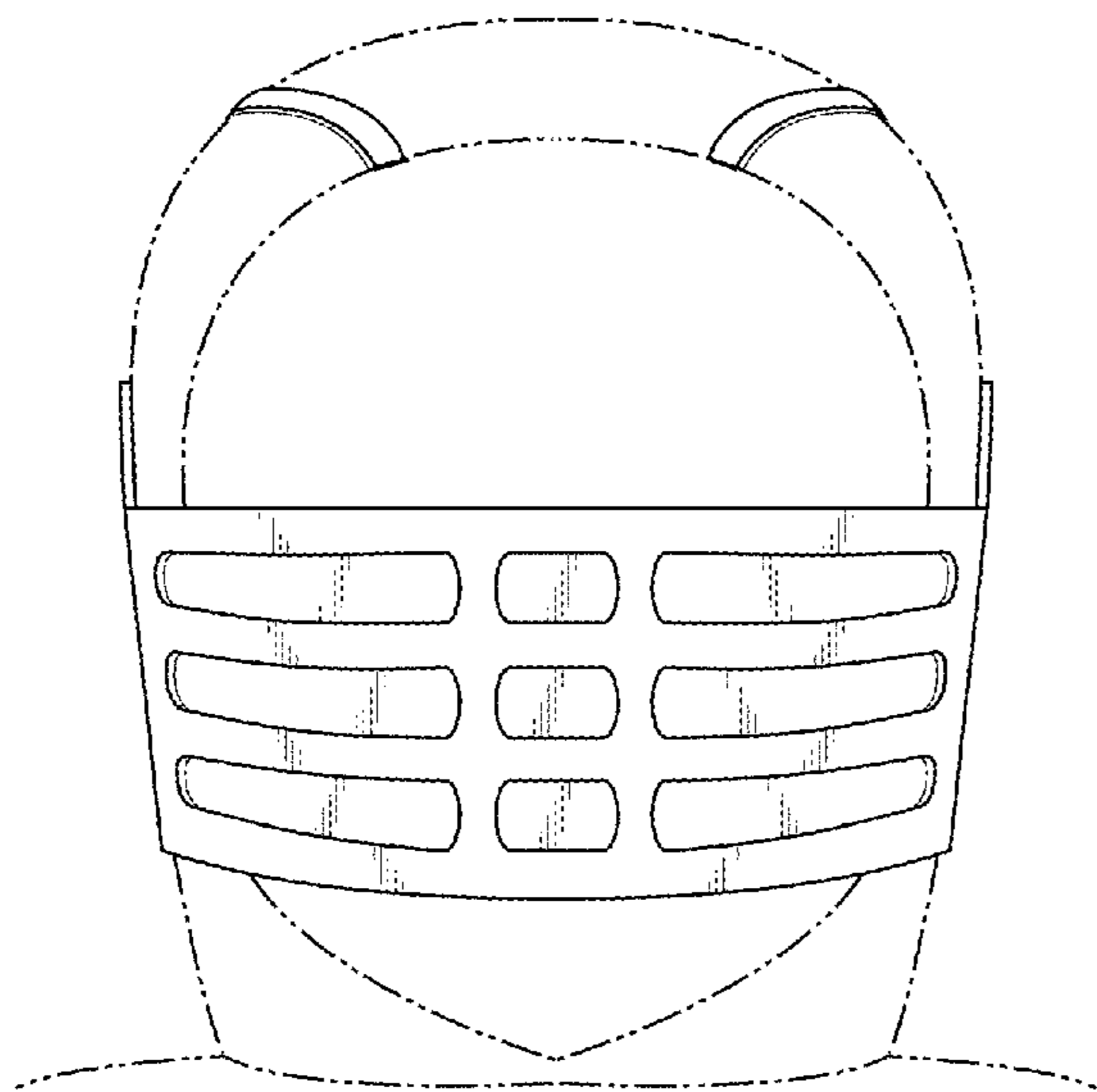
FIG. 5 is a rear view of the hoodie shown in FIG. 1;

FIG. 6 is a top view the hoodie shown in FIG. 1; and,

FIG. 7 is a bottom view of hoodie shown in FIG. 1.

Surface shading is provided to illustrate the shape of the hoodie design with greater clarity but does not indicate the use of any specific type of surface material. The dot dash lines illustrate portions of the hoodie that form no part of the claimed design.

**1 Claim, 4 Drawing Sheets**



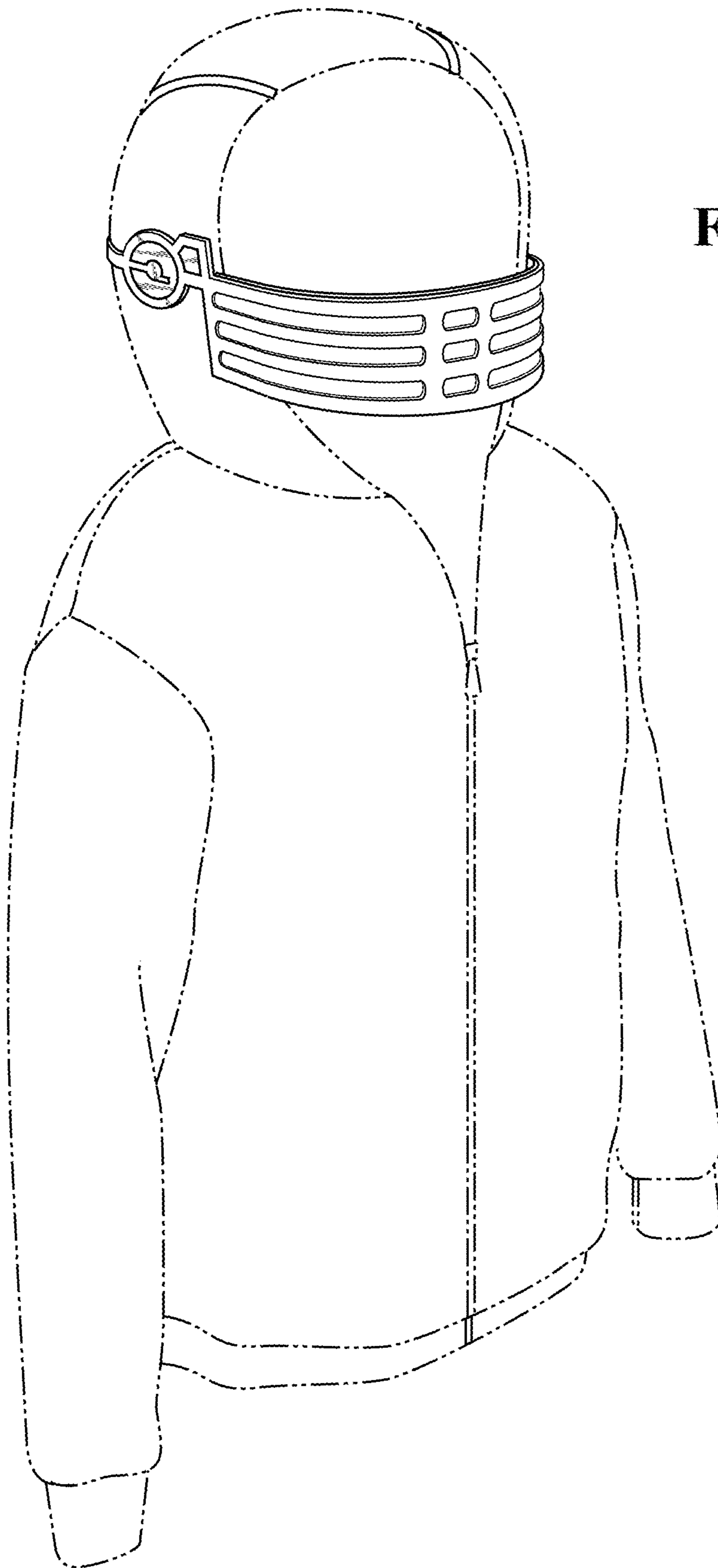
(56)

**References Cited**

U.S. PATENT DOCUMENTS

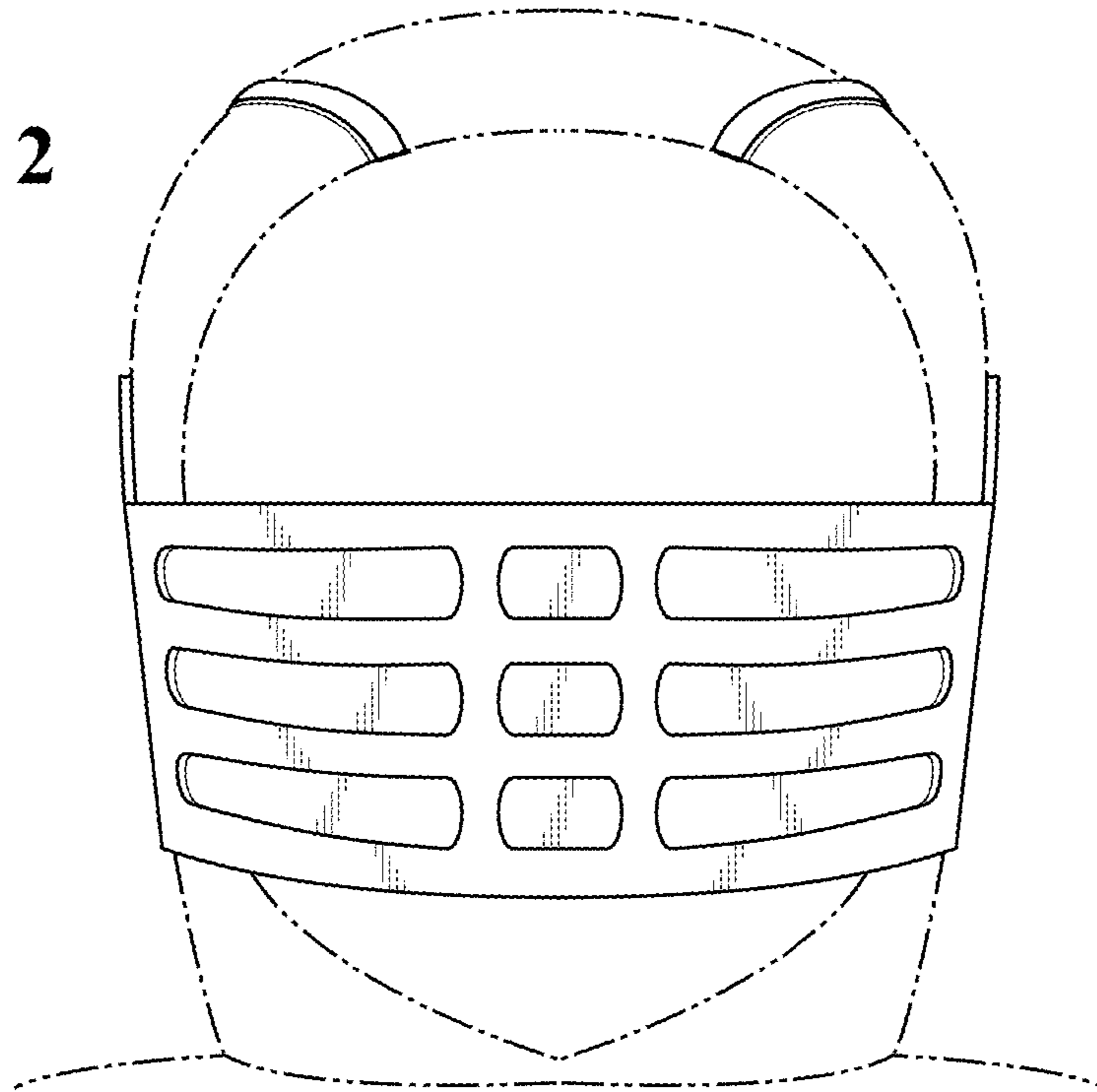
D653,836 S *	2/2012	Woysner .....	D2/750
D709,672 S *	7/2014	Clayton-Smith .....	D2/870
D714,526 S *	10/2014	Ingram .....	D2/831
2004/0250337 A1 *	12/2004	Pietrzykowski .....	A42B 1/004 2/195.3

\* cited by examiner

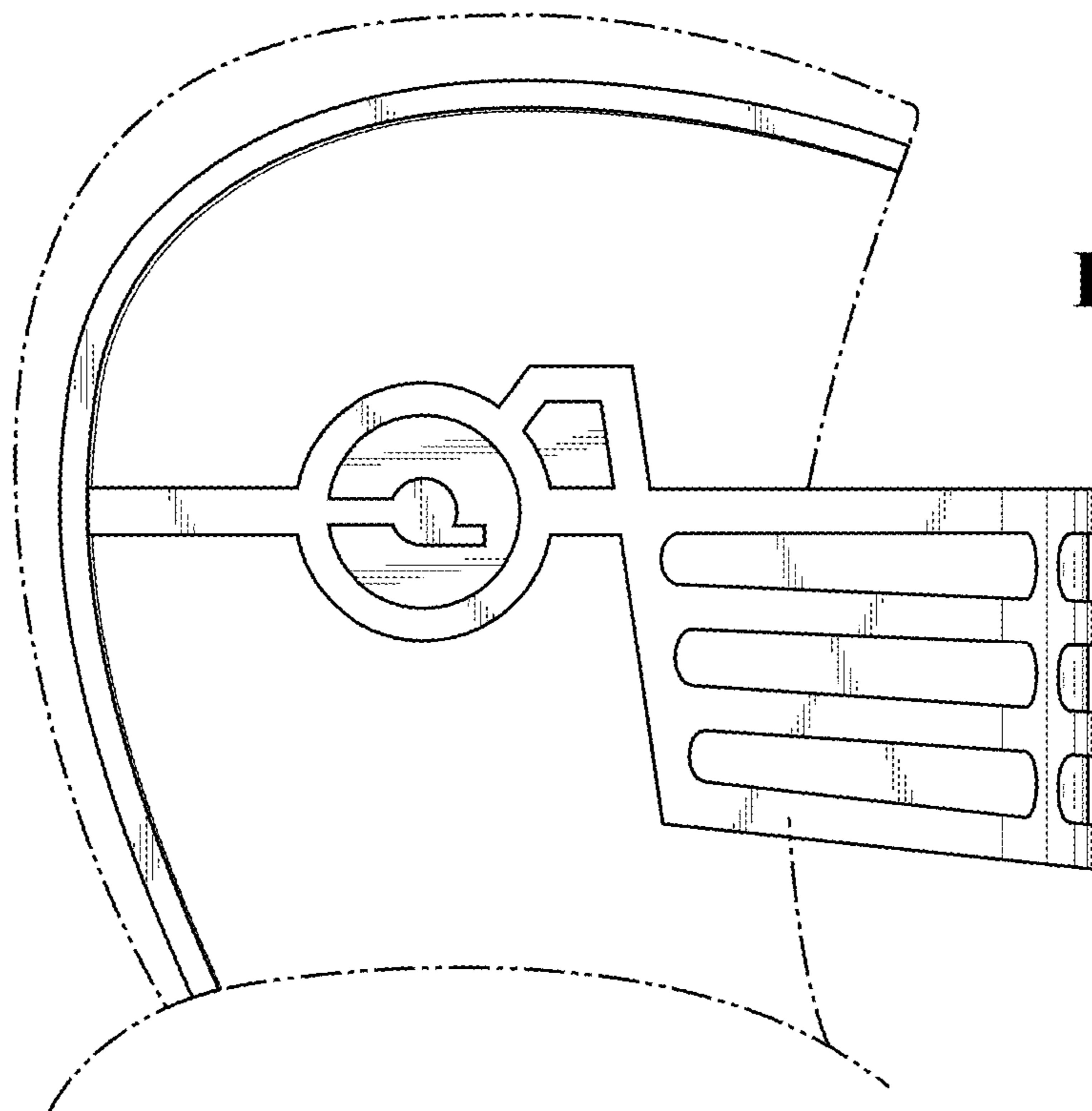


**FIG. 1**

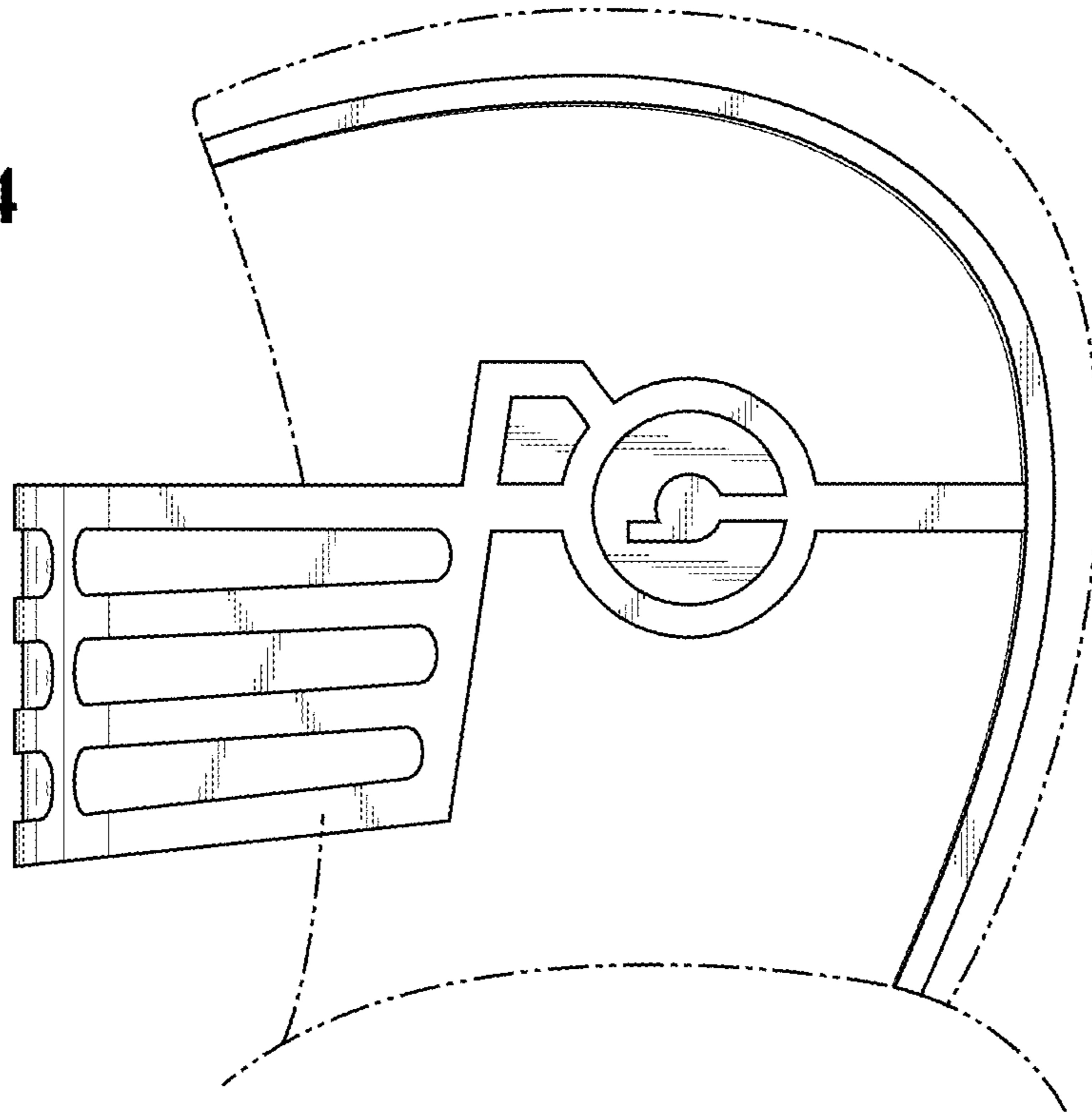
**FIG. 2**



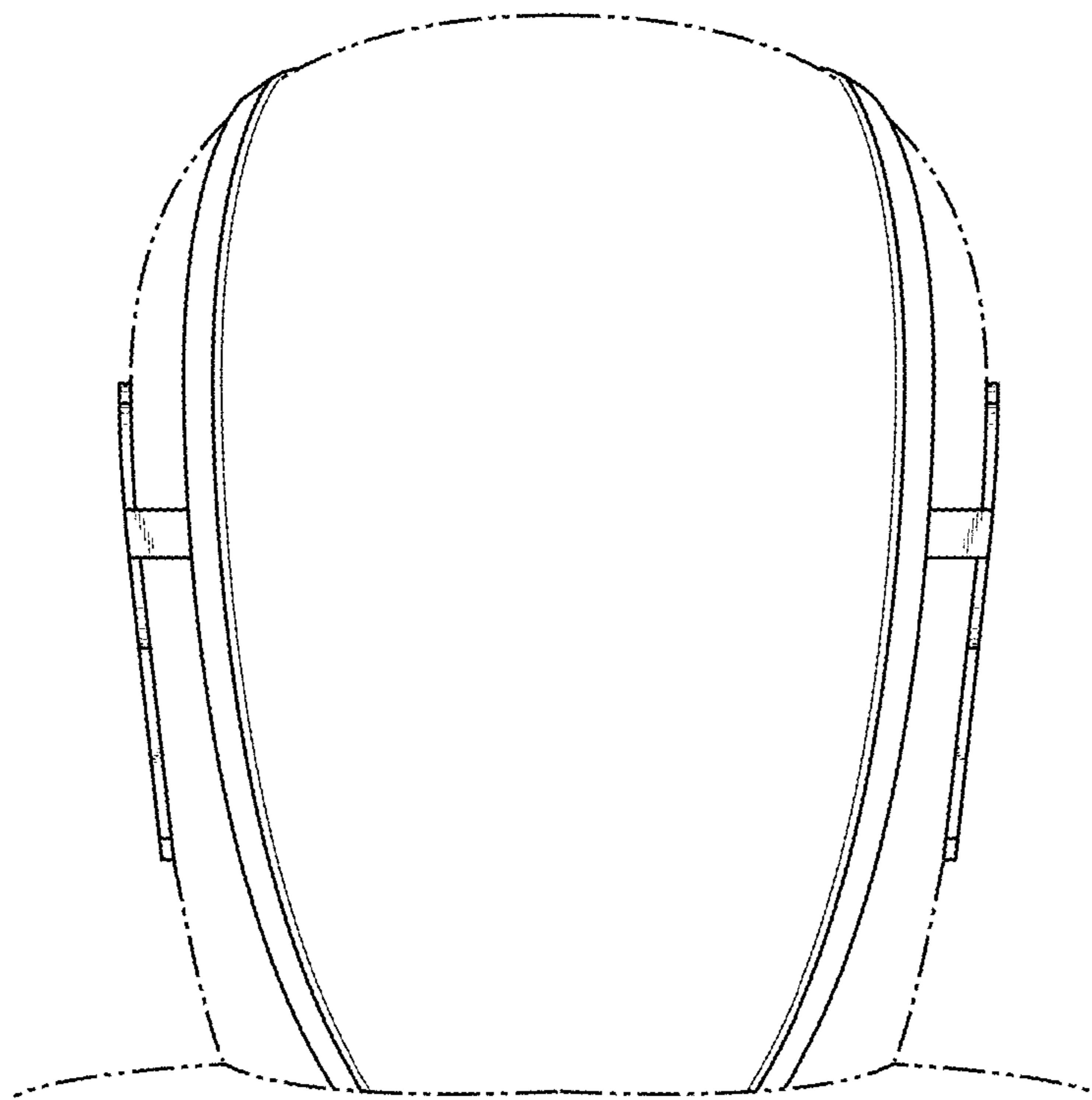
**FIG. 3**



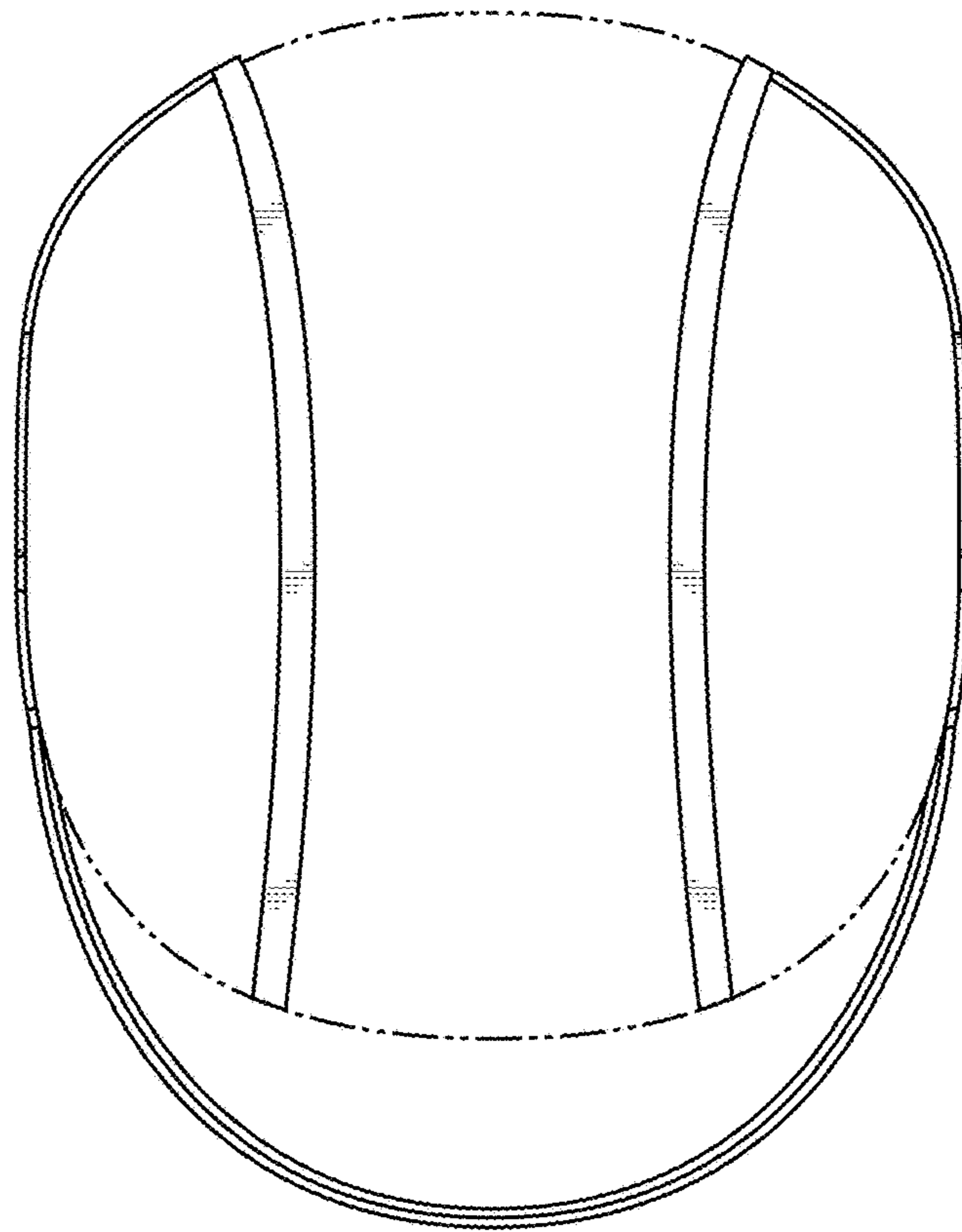
**FIG. 4**



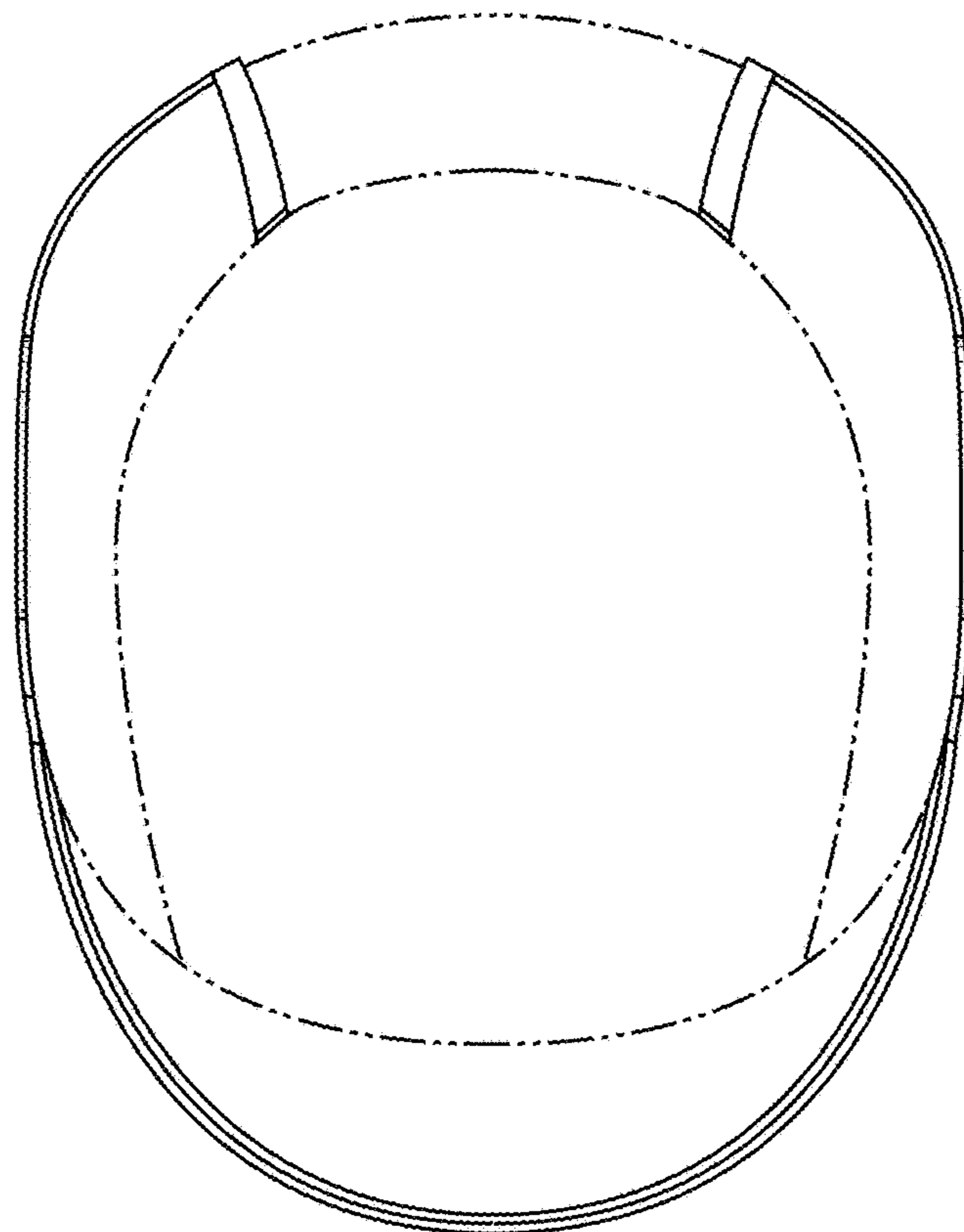
**FIG. 5**







**FIG. 6**



**FIG. 7**