



US00D778028S

(12) **United States Design Patent** (10) **Patent No.:** **US D778,028 S**
Johnson et al. (45) **Date of Patent:** **** Feb. 7, 2017**

(54) **CUSHIONING APPAREL ACCESSORY**
(71) Applicant: **Joshua Johnson Creative Inc.**, Maple Ridge (CA)
(72) Inventors: **Tristen M. Johnson**, Maple Ridge (CA); **Joshua W. Johnson**, Maple Ridge (CA)
(73) Assignee: **Joshua Johnson Creative**, Maple Ridge (CA)
(**) Term: **15 Years**
(21) Appl. No.: **29/535,323**
(22) Filed: **Aug. 5, 2015**
(51) **LOC (10) Cl.** **02-01**
(52) **U.S. Cl.**
USPC **D2/705**
(58) **Field of Classification Search**
USPC D2/705, 624, 999; 2/267-270, 459, 460, 2/461, 462; D29/101.2, 122; 224/257, 224/264, 265; D9/455
CPC A63B 71/12; A41D 27/26; A41D 13/0512; A41D 13/0153; A41D 13/015; A41D 13/05; A41D 15/002; A41D 13/0568
See application file for complete search history.

3,504,377 A * 4/1970 Biggs, Jr. A63B 71/12 2/460
3,545,659 A * 12/1970 Libby A45F 5/00 150/107
4,472,838 A * 9/1984 Pompa A41F 15/007 2/460
5,250,345 A * 10/1993 Chu A45F 3/12 2/268
D360,971 S * 8/1995 Speth D2/705
5,539,931 A * 7/1996 Fizer A41F 15/007 2/267
5,590,826 A * 1/1997 Endo A41D 13/0512 224/257
D381,125 S * 7/1997 Weiler D29/101.2
6,698,030 B2 3/2004 Cutler
D617,054 S * 6/2010 Roman D29/122
9,376,064 B2 * 6/2016 Flaherty B60R 9/10
D763,518 S * 8/2016 Fletcher D29/112
2012/0028539 A1 * 2/2012 McCarty A41F 1/006 450/1
2013/0035018 A1 * 2/2013 Broussard A41C 3/12 450/86

* cited by examiner

Primary Examiner — Derrick Holland
Assistant Examiner — Lauren Calve
(74) *Attorney, Agent, or Firm* — Banner & Witcoff, Ltd.

(57) **CLAIM**

The ornamental design for a cushioning apparel accessory, as shown and described.

DESCRIPTION

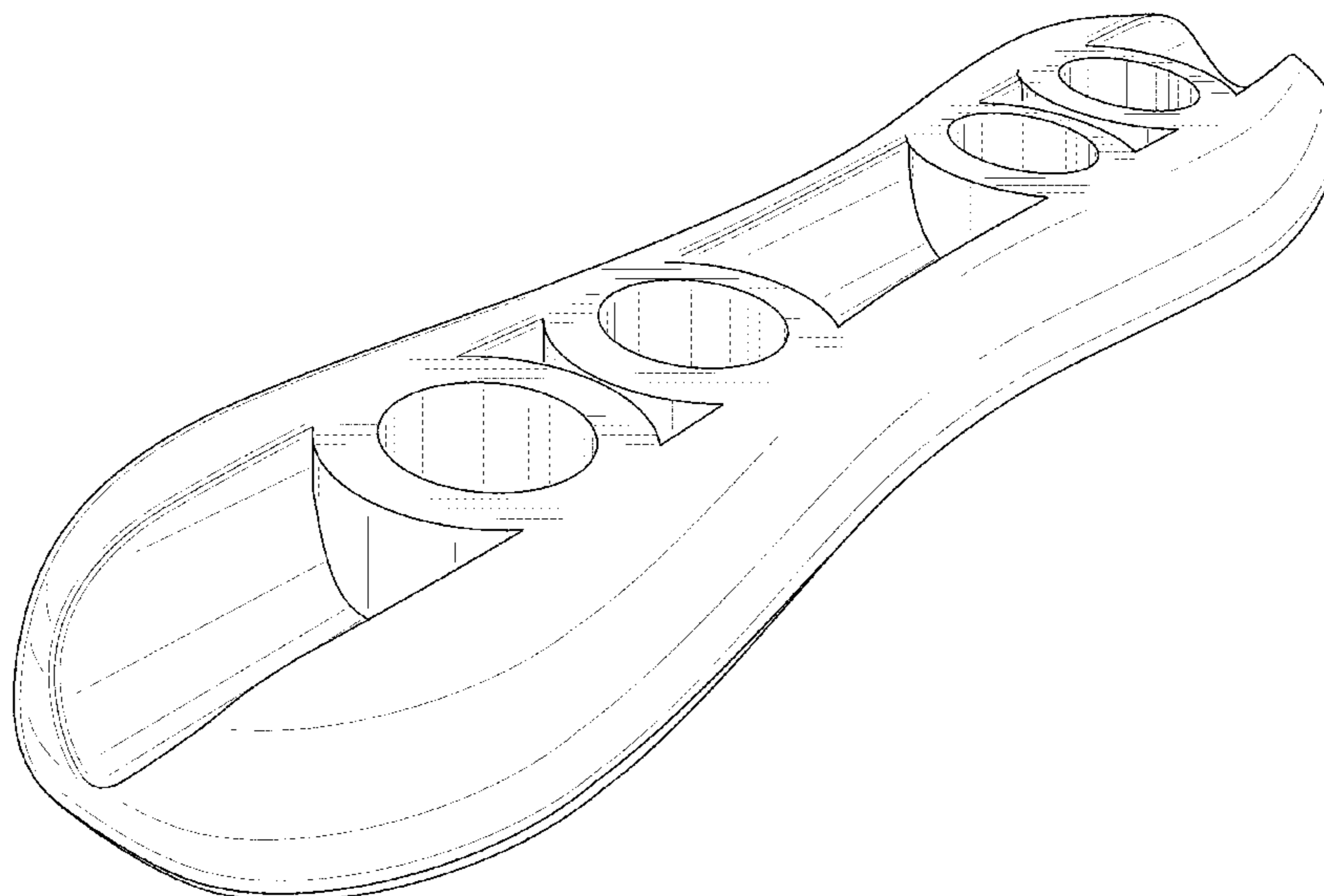
FIG. 1 is a front perspective view of a cushioning apparel accessory showing our new design;
FIG. 2 is a top view thereof;
FIG. 3 is a bottom view thereof;
FIG. 4 is a right side view thereof;
FIG. 5 is a left side view thereof;
FIG. 6 is a front view thereof; and,
FIG. 7 is a rear view thereof.

1 Claim, 6 Drawing Sheets

(56) **References Cited**

U.S. PATENT DOCUMENTS

2,485,720 A * 10/1949 Elliott A41F 15/007 2/336
2,699,550 A * 1/1955 Freid A41F 15/007 2/107
3,046,991 A * 7/1962 Heberling A41F 15/02 2/460
3,154,787 A * 11/1964 Newman A41F 15/007 2/268
3,229,694 A * 1/1966 Koropp A41F 15/007 2/460



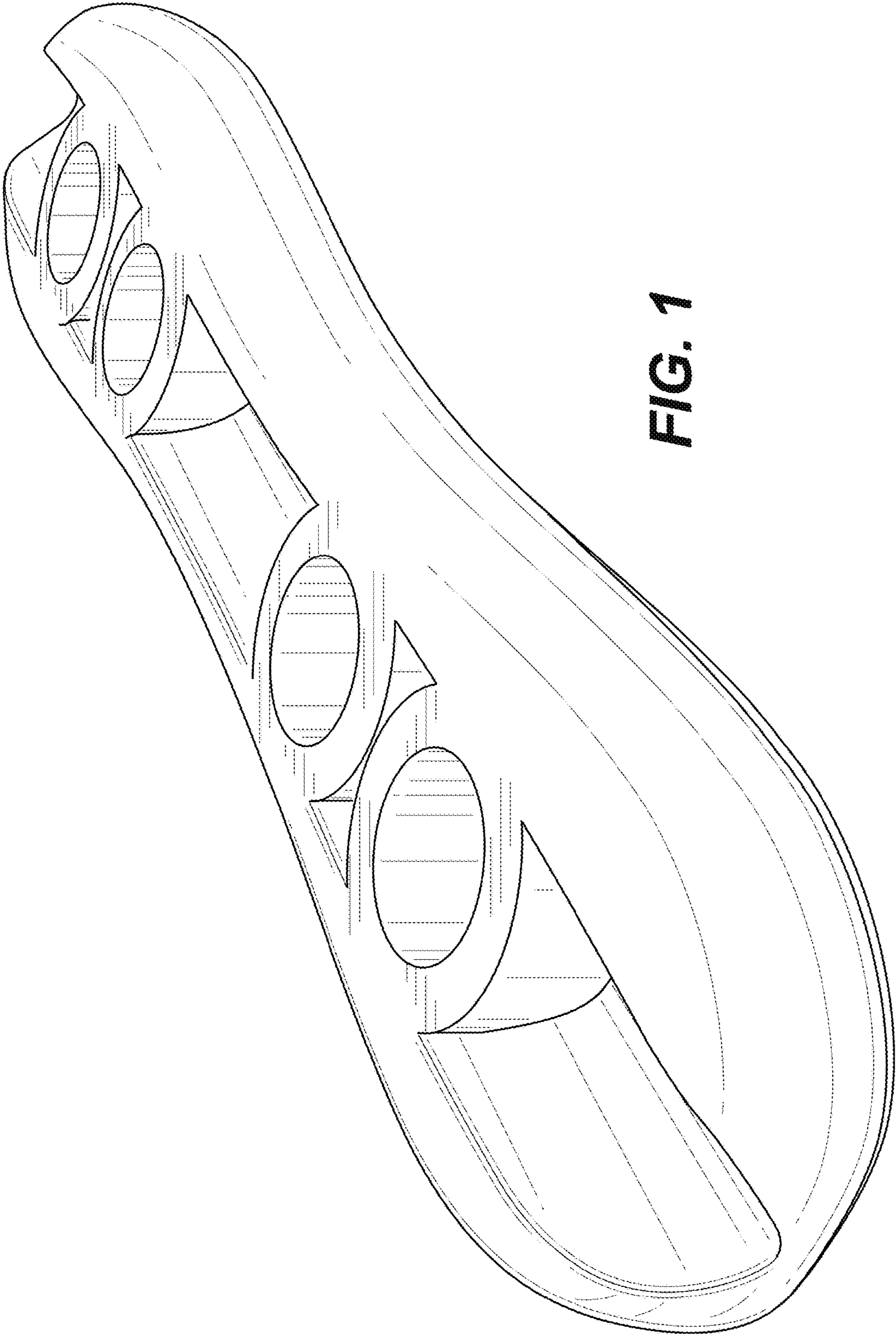


FIG. 1

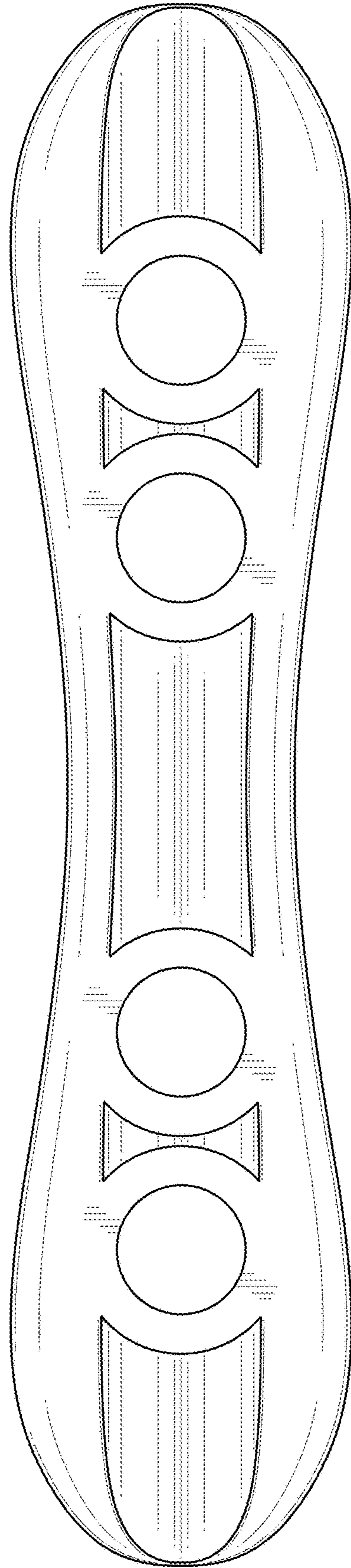


FIG. 2

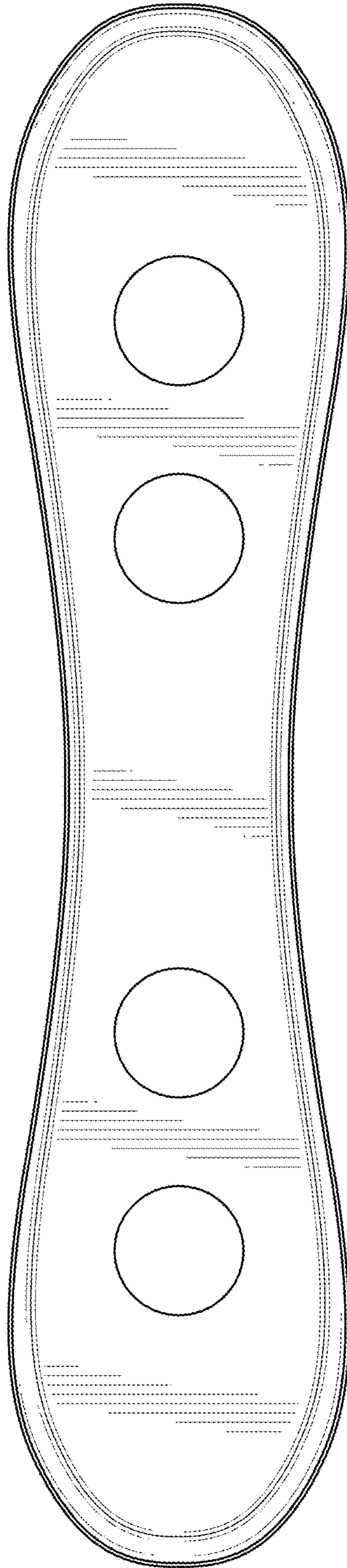


FIG. 3

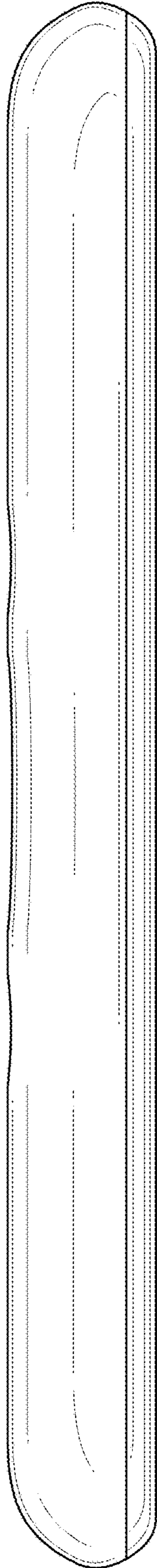


FIG. 4

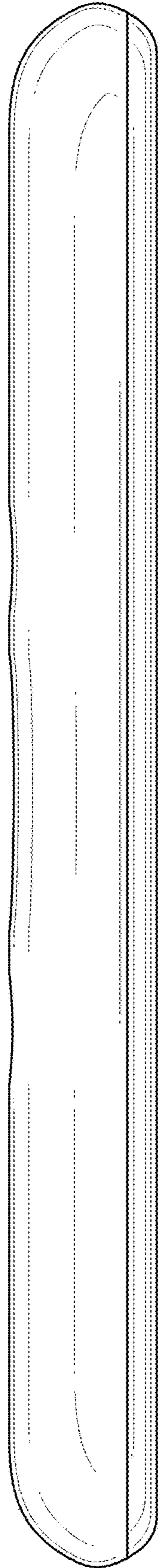


FIG. 5

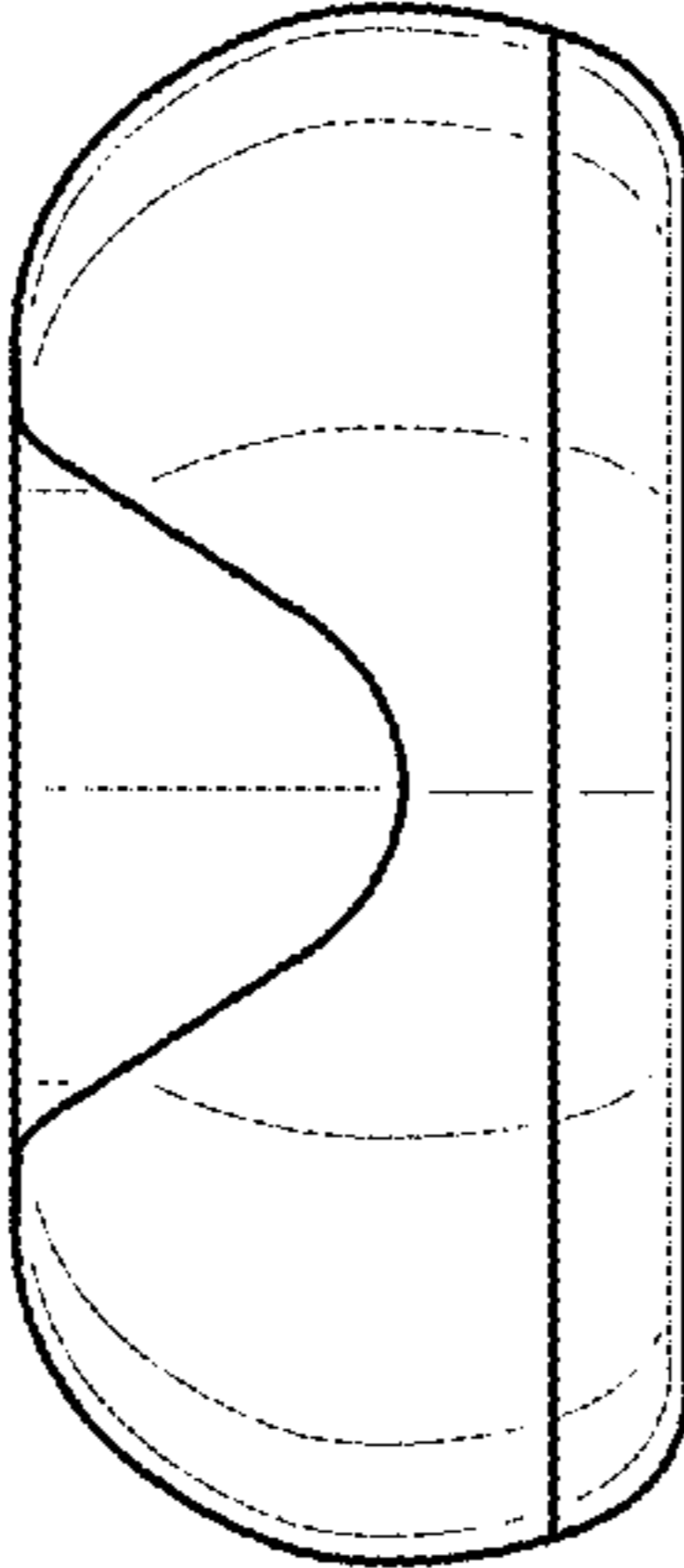


FIG. 6

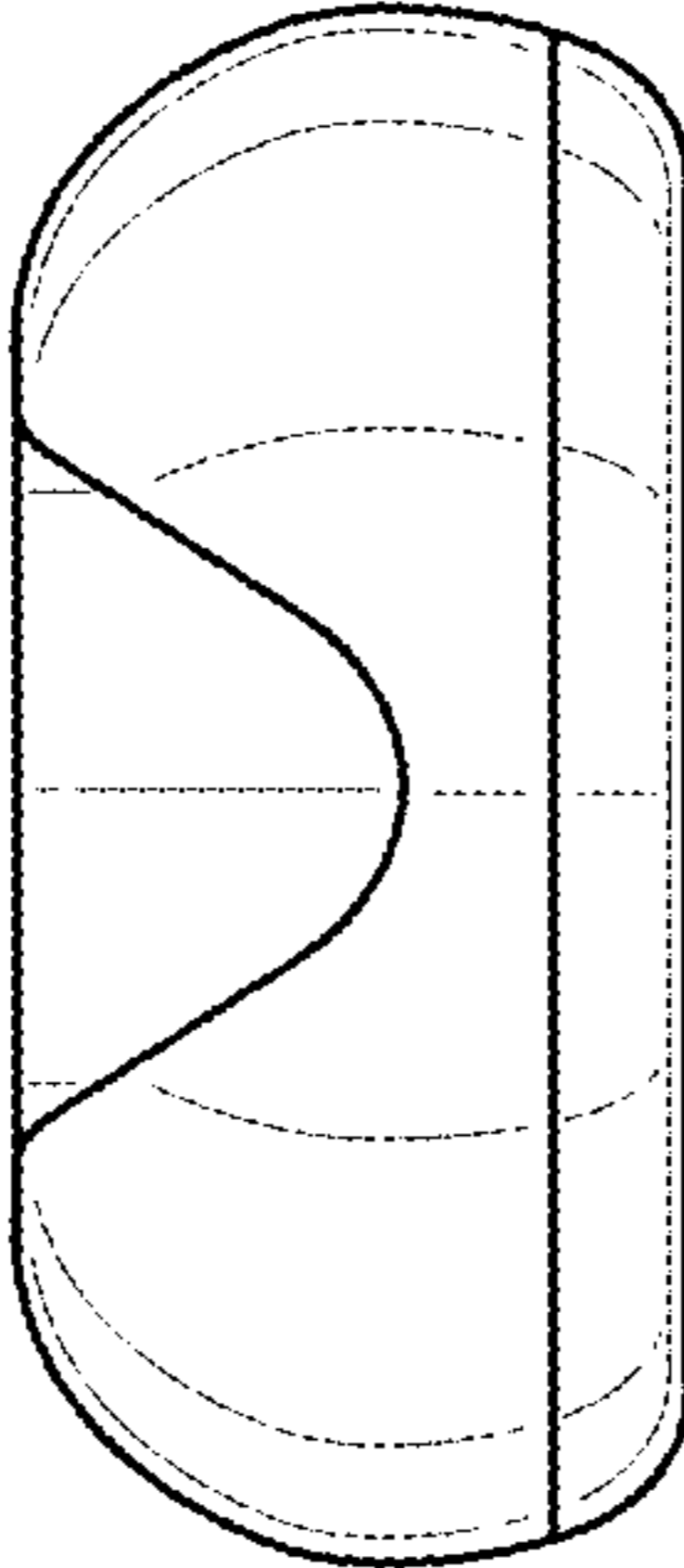


FIG. 7