



US00D778024S

(12) **United States Design Patent**
Zaniker et al.

(10) **Patent No.:** **US D778,024 S**

(45) **Date of Patent:** **** Jan. 31, 2017**

- (54) **RETROFITTED LOCKER**
- (71) Applicant: **BEST LOCKERS, LLC**, Beltsville, MD (US)
- (72) Inventors: **John Zaniker**, Severna Park, MD (US);
Dennis Toibero, Laurel, MD (US);
Scott Nelson, Apopka, FL (US)
- (73) Assignee: **Best Lockers, LLC**, Columbia, MD (US)
- (**) Term: **14 Years**
- (21) Appl. No.: **29/498,042**
- (22) Filed: **Jul. 30, 2014**

D495,113 S *	8/2004	Lynch	D6/705.5
D498,895 S *	11/2004	Lynch	D99/28
D503,255 S *	3/2005	Lynch	D6/705.5
D509,688 S *	9/2005	Lynch	D6/705.5
D511,061 S *	11/2005	Ben-Or	D3/297
D557,875 S *	12/2007	Stuhlbarg	D99/28
D559,011 S *	1/2008	Mehmen	D6/671.1
D658,876 S *	5/2012	Holobinko	D3/294
D715,015 S *	10/2014	Measom	D99/43
D743,665 S *	11/2015	Muir	D99/43
D744,715 S *	12/2015	Suggs	D99/28
D748,889 S *	2/2016	Ng	D99/28
D757,390 S *	5/2016	Castelluccio	D99/37
D758,040 S *	5/2016	Osiecki	D99/43
D758,690 S *	6/2016	Miller	D99/28
D759,340 S *	6/2016	Nelson	D99/43
2015/0322695 A1 *	11/2015	Chow	E05B 65/0075 109/44

* cited by examiner

Related U.S. Application Data

- (63) Continuation of application No. 14/257,810, filed on Apr. 21, 2014.
- (51) **LOC (10) Cl.** **99-00**
- (52) **U.S. Cl.**
USPC **D99/28**
- (58) **Field of Classification Search**
USPC ... D6/705, 705.5, 706, 703; D99/28, 34-36,
D99/43; 109/44, 64; 312/227; 340/5.73,
340/5.54
CPC E05B 65/007; E05G 1/00; E05G 1/005;
E05G 1/024; E05G 5/00; E05G 2700/00;
E05G 2700/02; E05G 2700/04; G07D
9/002
See application file for complete search history.

Primary Examiner — Rosemary K Tarcza
Assistant Examiner — James Thorn, Sr.
(74) *Attorney, Agent, or Firm* — Dentons US LLP

(57) **CLAIM**

The ornamental design for retrofitted locker, as shown and described.

DESCRIPTION

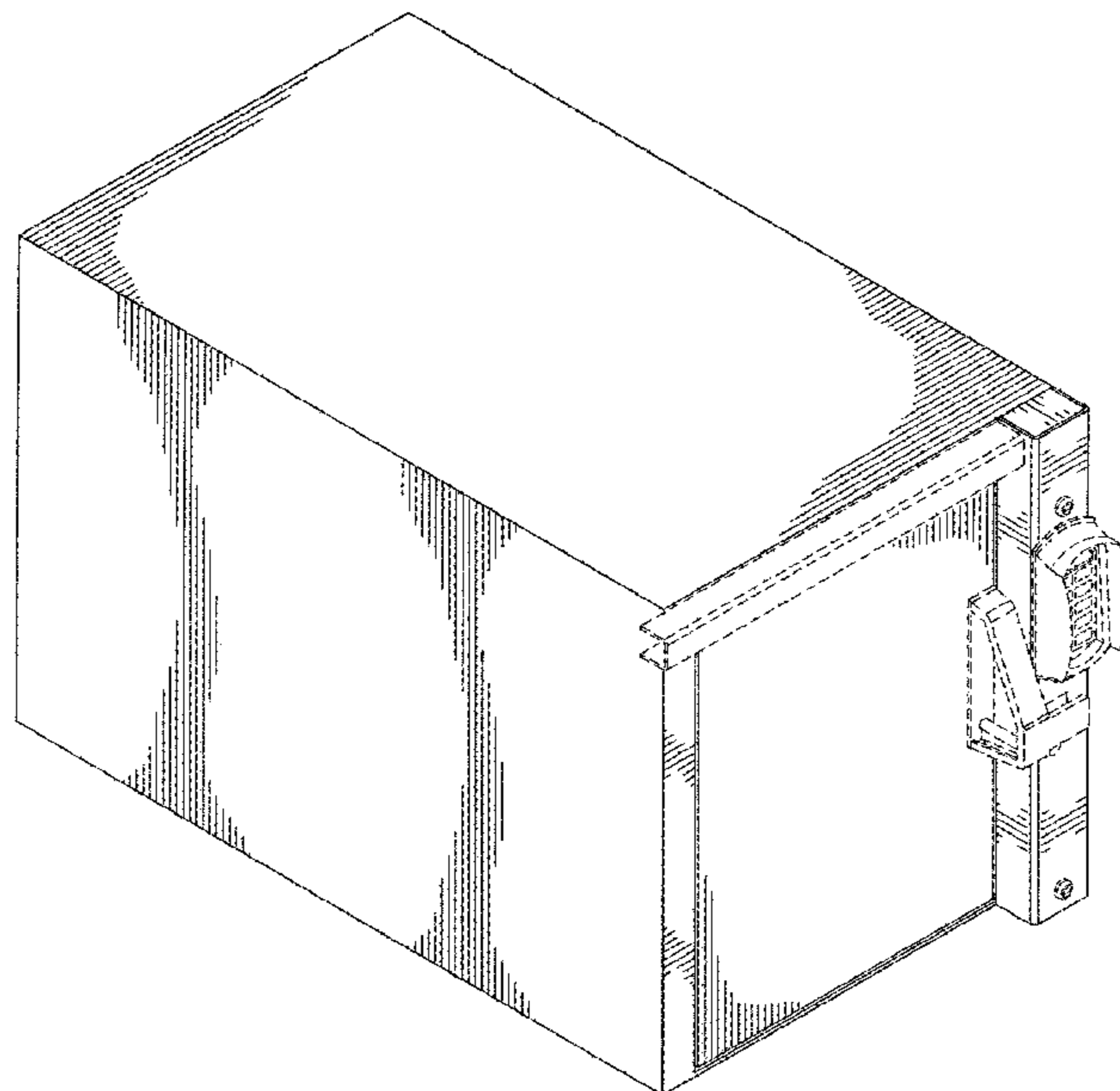
FIG. 1 is a perspective view of a retrofitted locker;
FIG. 2 is a front view thereof;
FIG. 3 is a rear view thereof;
FIG. 4 is a right side view thereof;
FIG. 5 is a left side view thereof;
FIG. 6 is a top plan view thereof; and,
FIG. 7 is a bottom plan view thereof.
The broken lines shown in the drawings are included for the purpose of illustrating environmental structure and form no part of the claimed design.

(56) **References Cited**

U.S. PATENT DOCUMENTS

- D359,402 S * 6/1995 Tisbo D6/663
- D434,924 S * 12/2000 Jermain D6/671

1 Claim, 7 Drawing Sheets



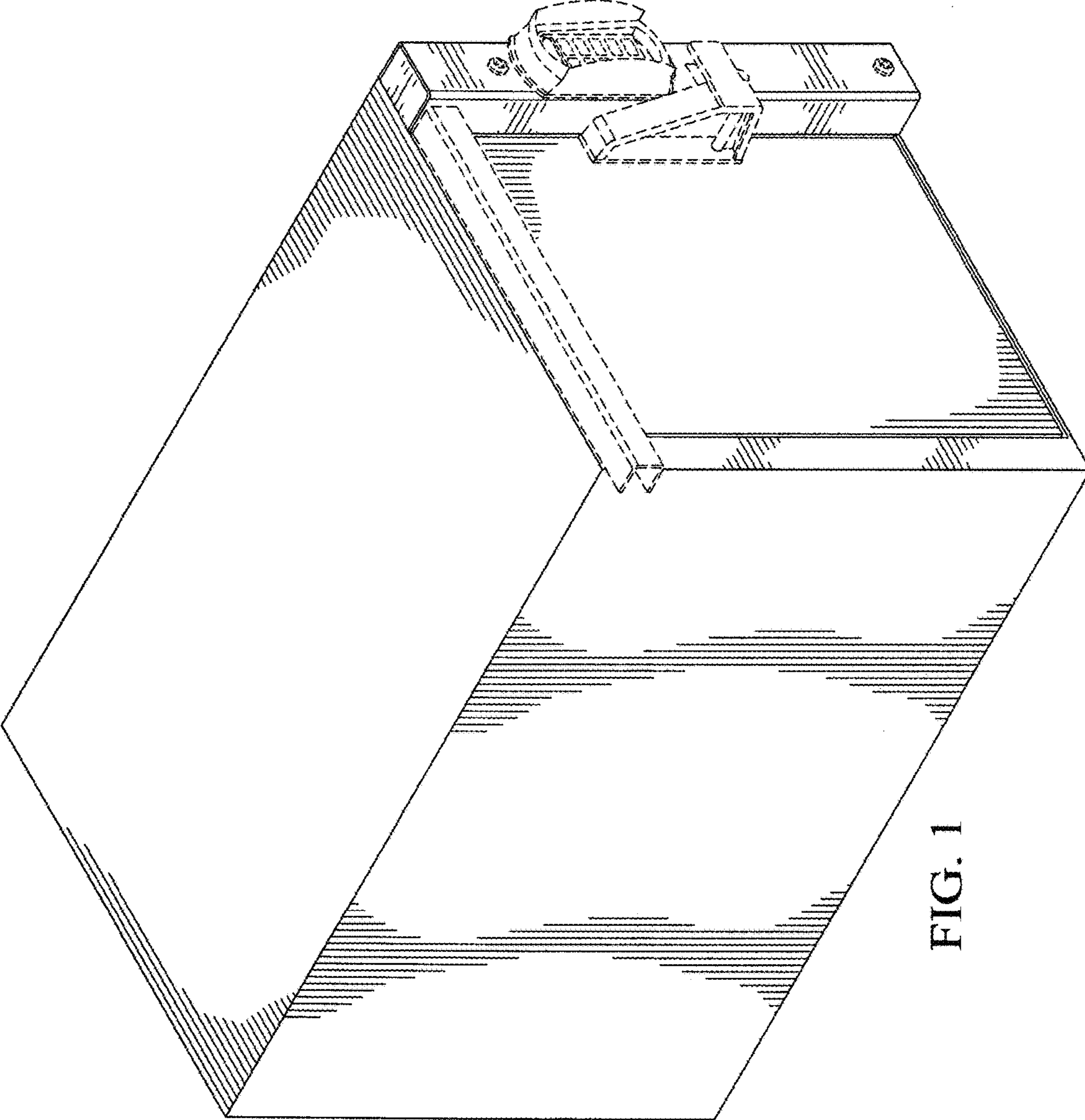


FIG. 1

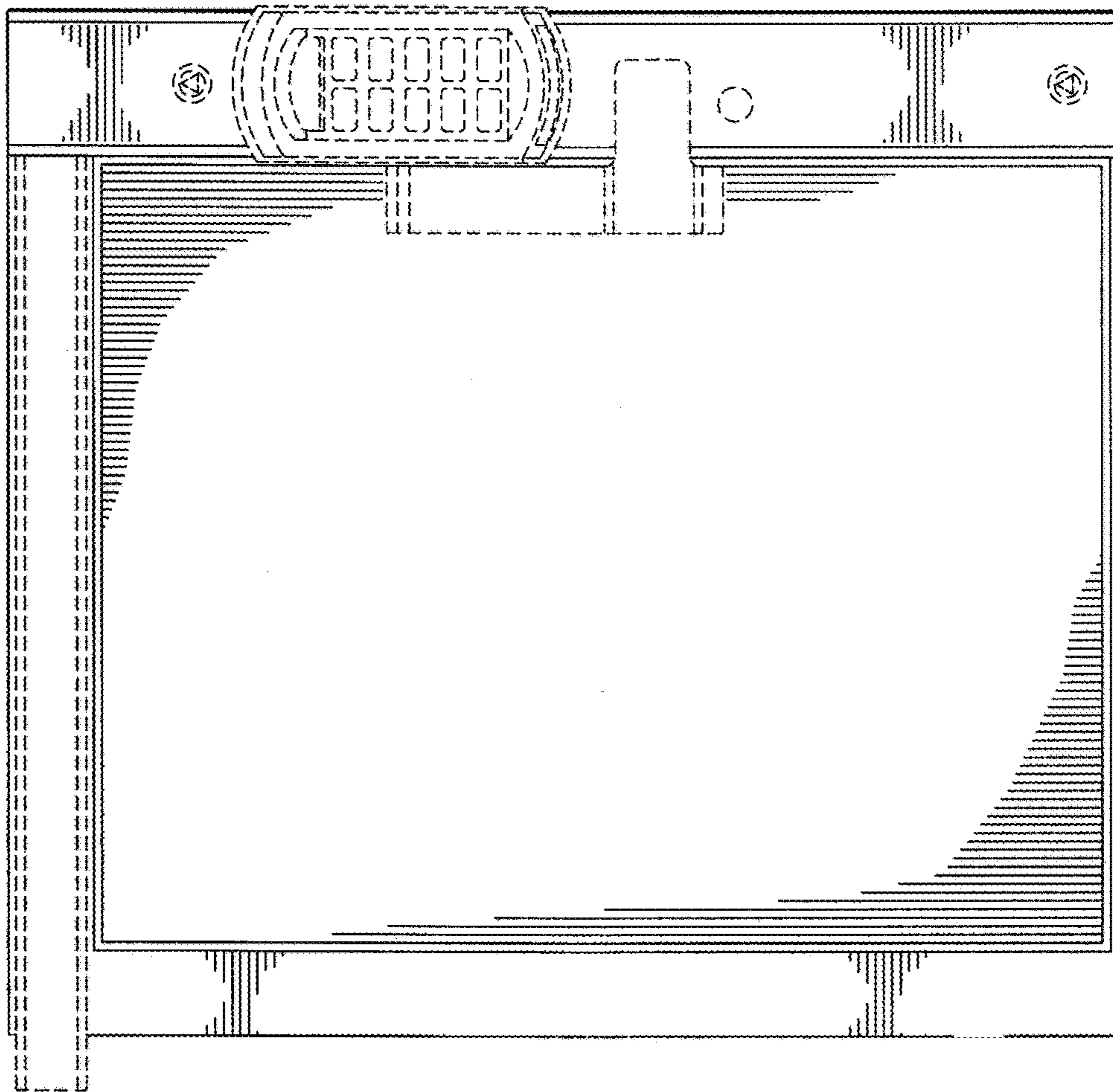


FIG. 2

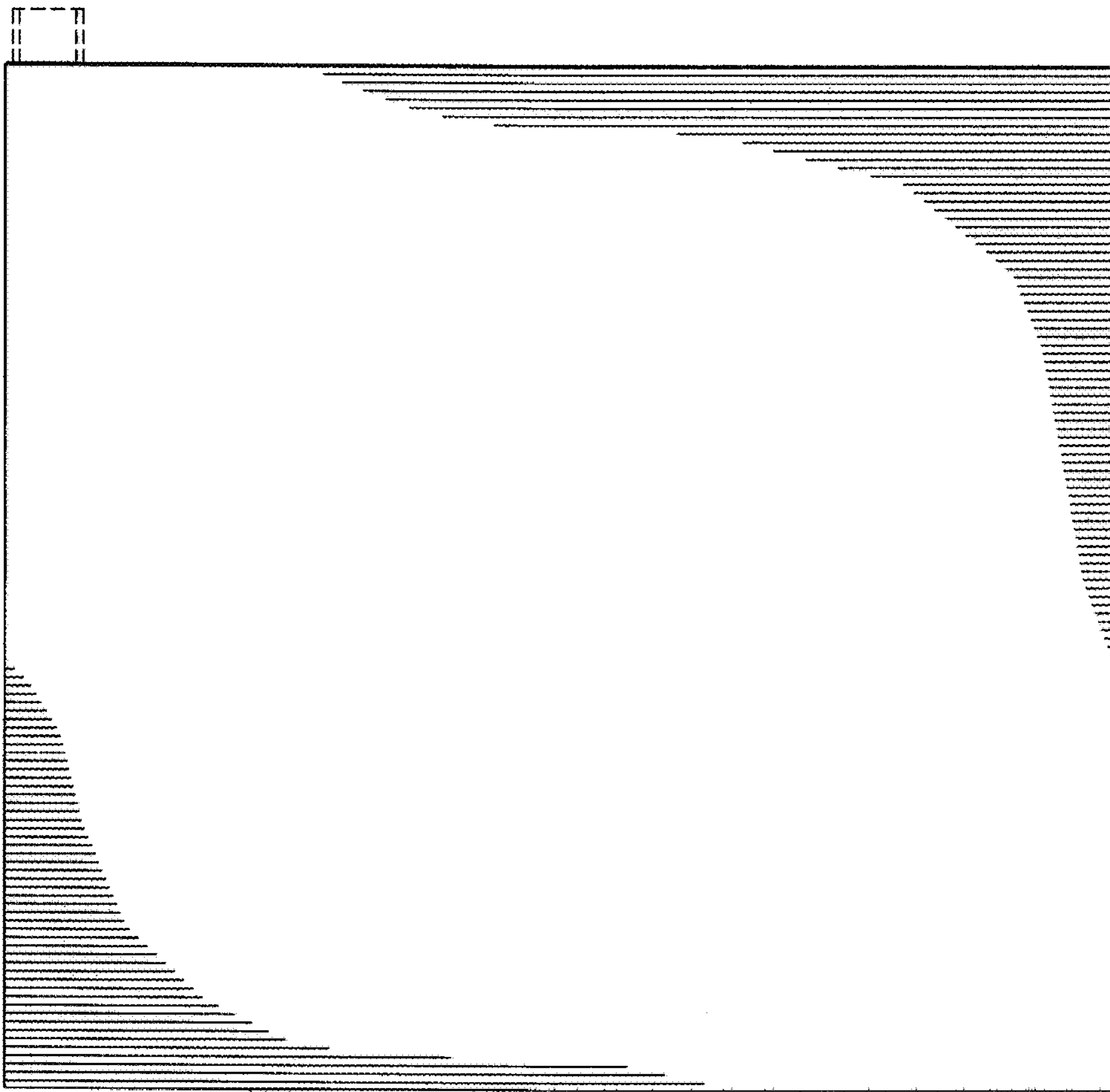


FIG. 3

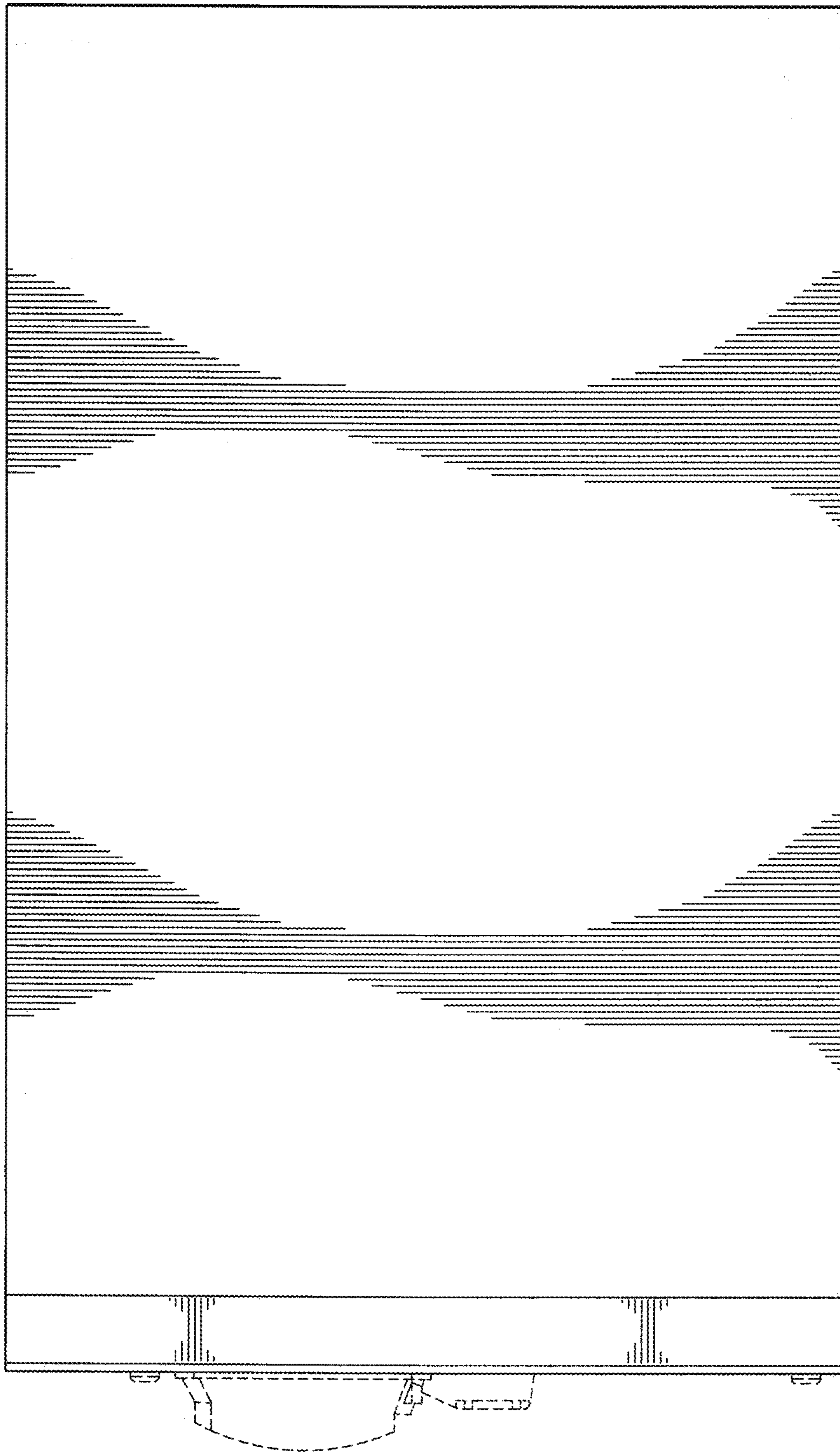


FIG. 4

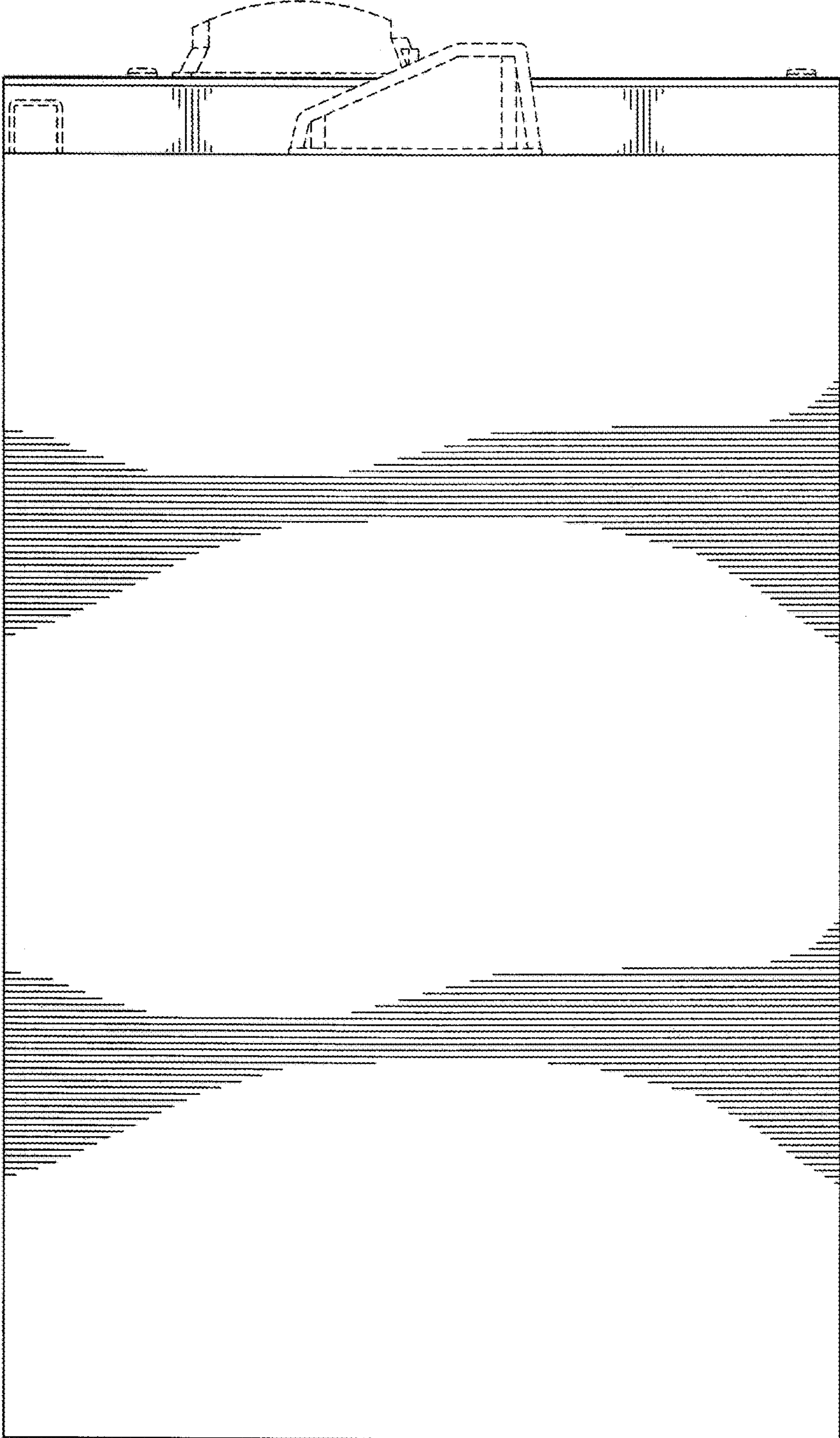


FIG. 5

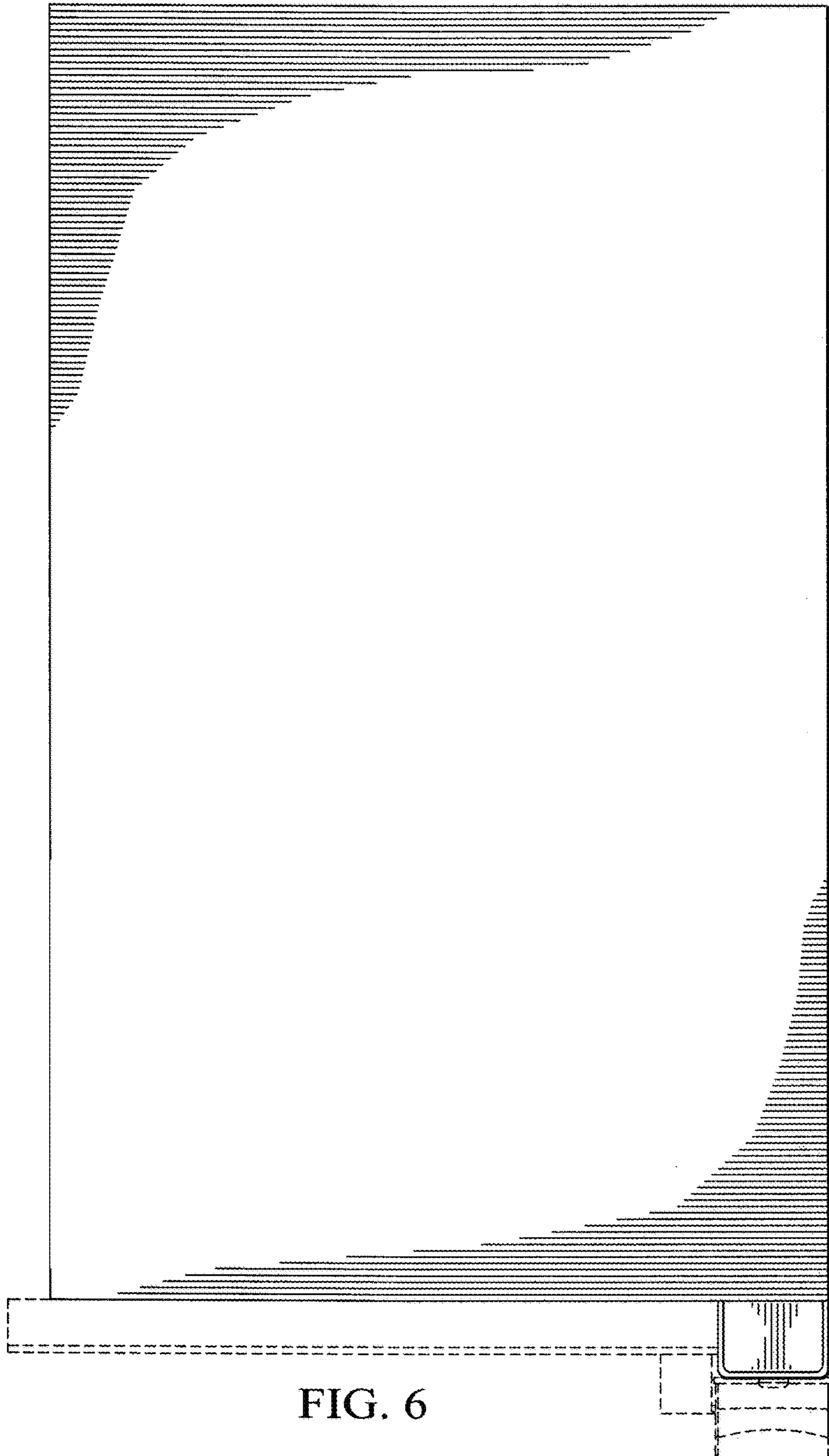


FIG. 6



FIG. 7