



US00D778022S

(12) **United States Design Patent**  
**Sauvaget**

(10) **Patent No.:** **US D778,022 S**  
(45) **Date of Patent:** **\*\* Jan. 31, 2017**

(54) **AERIAL LIFT**  
(71) Applicant: **HAULOTTE GROUP, L'Horme (FR)**  
(72) Inventor: **Thierry Sauvaget, Toussieu (FR)**  
(73) Assignee: **HAULOTTE GROUP, L'Horme (FR)**  
(\*\*) Term: **15 Years**  
(21) Appl. No.: **35/500,148**  
(22) Filed: **Aug. 5, 2015**  
(80) **Hague Agreement Data**  
Int. Filing Date: **Aug. 5, 2015**  
Int. Reg. No.: **DM/087474**  
Int. Reg. Date: **Aug. 5, 2015**  
Int. Reg. Pub. Date: **Sep. 25, 2015**

4,482,285 A \* 11/1984 Copie ..... B66F 9/186  
294/81.4  
D283,072 S \* 3/1986 Qureshi ..... 182/2.1  
D320,686 S \* 10/1991 Still ..... D34/34  
D374,535 S \* 10/1996 Feider ..... D13/168  
D376,243 S \* 12/1996 Magni ..... D34/34  
D384,477 S \* 9/1997 Braud ..... D34/34  
6,146,081 A \* 11/2000 Anderson ..... B66F 9/12  
37/405  
D480,529 S \* 10/2003 Pini ..... D34/34  
D524,509 S \* 7/2006 Cantrill ..... D12/192  
D525,409 S \* 7/2006 Cantrill ..... D12/192  
7,112,032 B2 \* 9/2006 Gokita ..... B66F 9/0655  
37/468  
D579,624 S \* 10/2008 McVicar ..... D34/34  
D605,374 S \* 12/2009 Nishikawa ..... D34/34  
D612,563 S \* 3/2010 Stark ..... D34/34  
D657,111 S \* 4/2012 Shibata ..... D34/34  
D699,415 S \* 2/2014 Kazaoka ..... D34/35  
D699,911 S \* 2/2014 Kazaoka ..... D34/35  
D725,863 S \* 3/2015 Kazaoka ..... D34/34  
D741,565 S \* 10/2015 Schweig ..... D34/34  
D746,014 S \* 12/2015 Rekow ..... D34/35  
D746,534 S \* 12/2015 Rekow ..... D34/35

(30) **Foreign Application Priority Data**  
Feb. 12, 2015 (FR) ..... 15/0717  
(51) **LOC (10) Cl.** ..... **12-05**  
(52) **U.S. Cl.**  
USPC ..... **D34/33; D34/34**  
(58) **Field of Classification Search**  
USPC ..... D34/34, 35; 414/680, 723; 182/222;  
D15/23, 22, 30, 31, 32, 33  
CPC ..... E02F 3/286; E02F 9/0808; E02F 9/0833;  
E02F 9/123; E02F 9/02; E02F  
9/0655; E02F 9/065; E02F 9/07545; E02F  
9/07559; E02F 9/122; E02F 9/12  
See application file for complete search history.

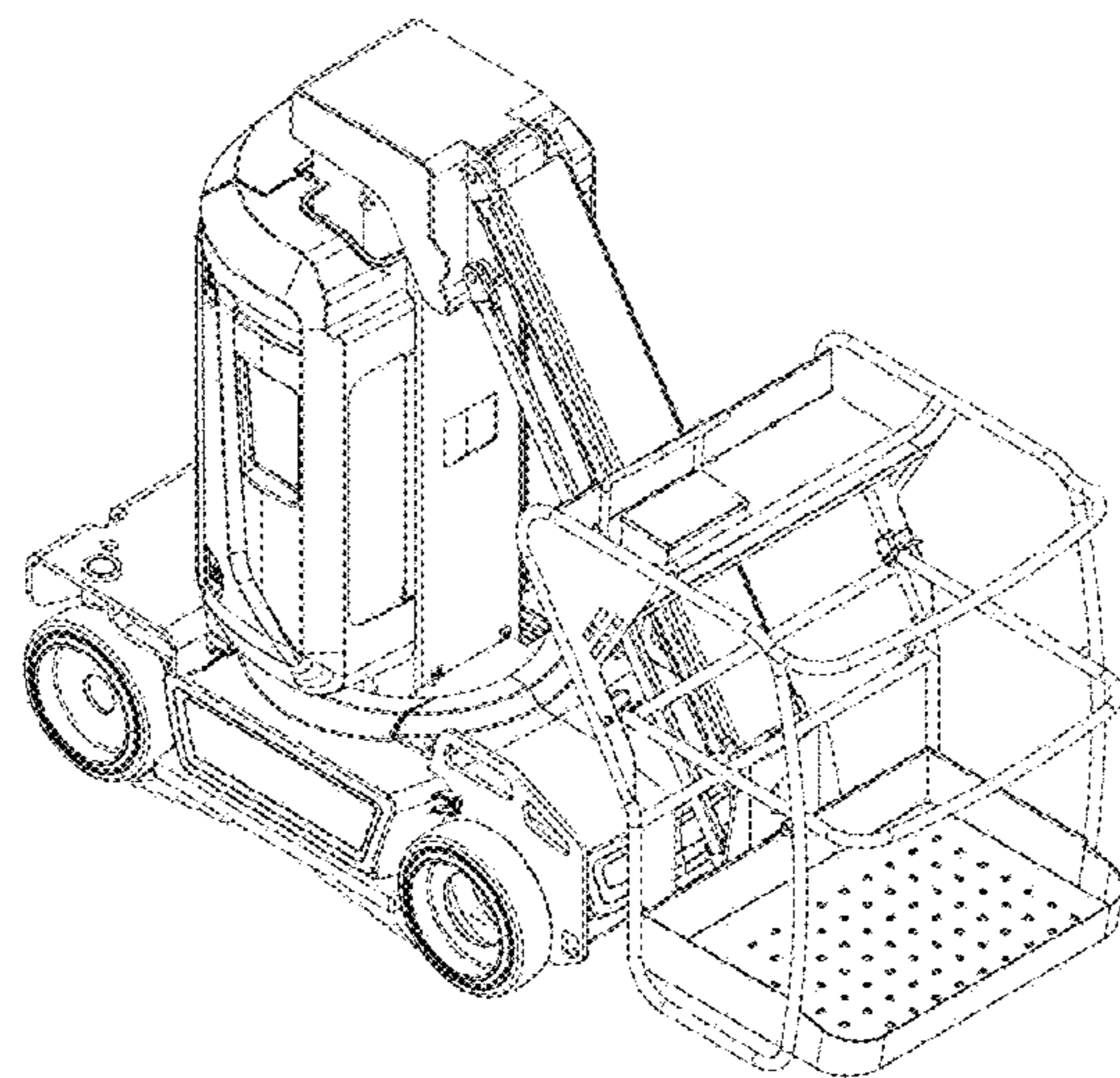
(Continued)  
**FOREIGN PATENT DOCUMENTS**  
FR 2839710 A1 \* 11/2003 ..... B08B 3/024  
*Primary Examiner* — Cynthia Ramirez

(56) **References Cited**  
**U.S. PATENT DOCUMENTS**  
3,889,833 A \* 6/1975 Thomas ..... B66F 9/127  
182/222  
4,456,093 A \* 6/1984 Finley ..... B66F 17/006  
182/18

(57) **CLAIM**  
The ornamental design for an aerial lift, as shown and described.

**DESCRIPTION**  
1. Aerial lift  
1.1 : Perspective  
1.2 : Front  
1.3 : Back  
1.4 : Left  
1.5 : Right  
1.6 : Top

**1 Claim, 6 Drawing Sheets**



(56)

**References Cited**

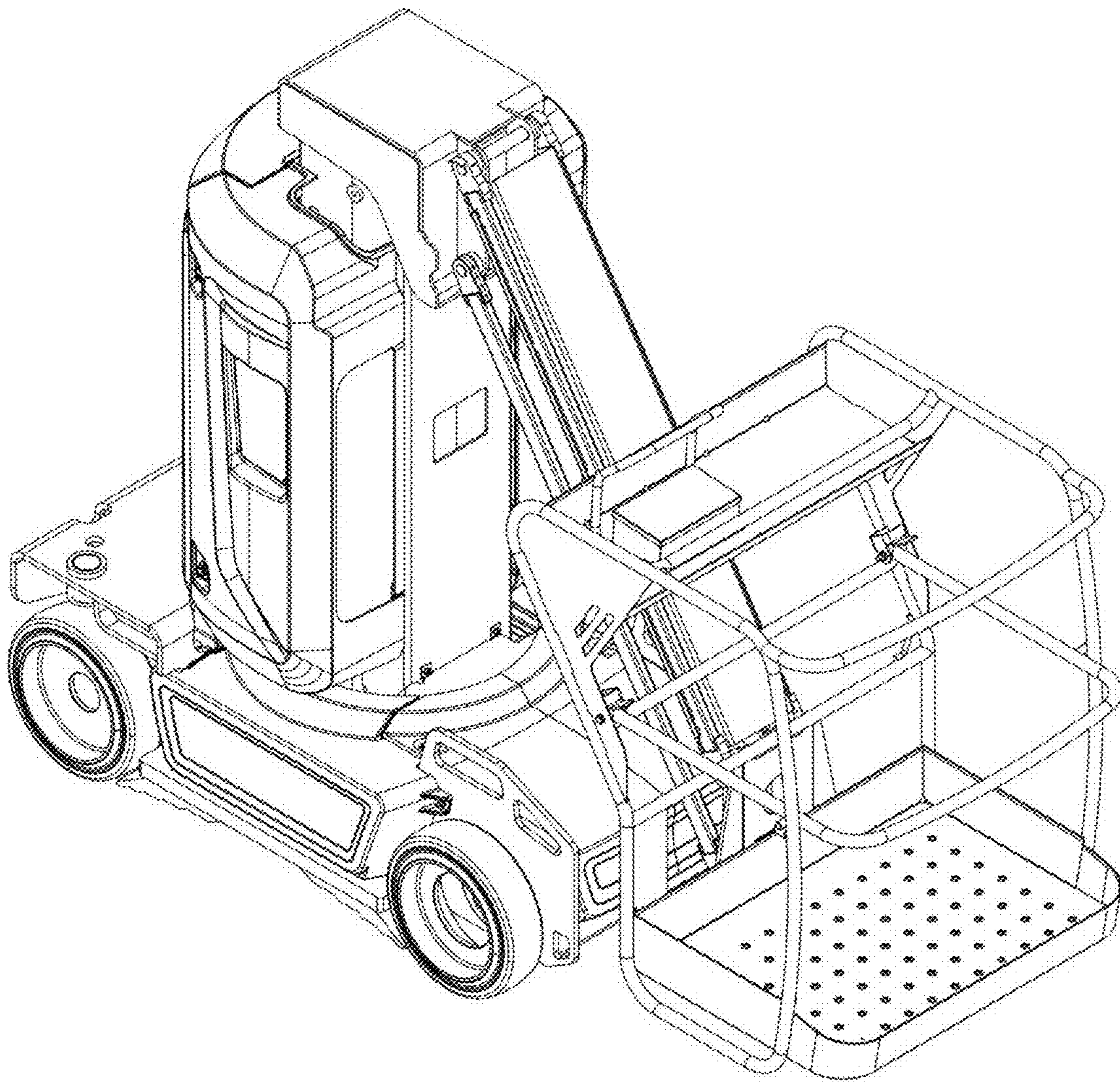
U.S. PATENT DOCUMENTS

D756,056 S \* 5/2016 Wen ..... D34/34  
D758,039 S \* 5/2016 Nessler ..... D15/23  
9,334,623 B2 \* 5/2016 Billaud ..... B66F 9/065  
2002/0144862 A1 \* 10/2002 Engvall ..... B66F 17/006  
182/18  
2002/0170783 A1 \* 11/2002 Goode ..... A62B 1/22  
187/240  
2004/0040137 A1 \* 3/2004 Sewell ..... B66F 9/0655  
29/428  
2004/0262079 A1 \* 12/2004 Bailey ..... B66C 23/36  
182/2.3  
2005/0008468 A1 \* 1/2005 Sugaya ..... B66C 23/80  
414/680  
2005/0254931 A1 \* 11/2005 Gokita ..... B66F 9/0655  
414/680  
2013/0153333 A1 \* 6/2013 Richards ..... B66F 11/044  
182/18  
2015/0008073 A1 \* 1/2015 Cummings ..... B66F 11/04  
182/148

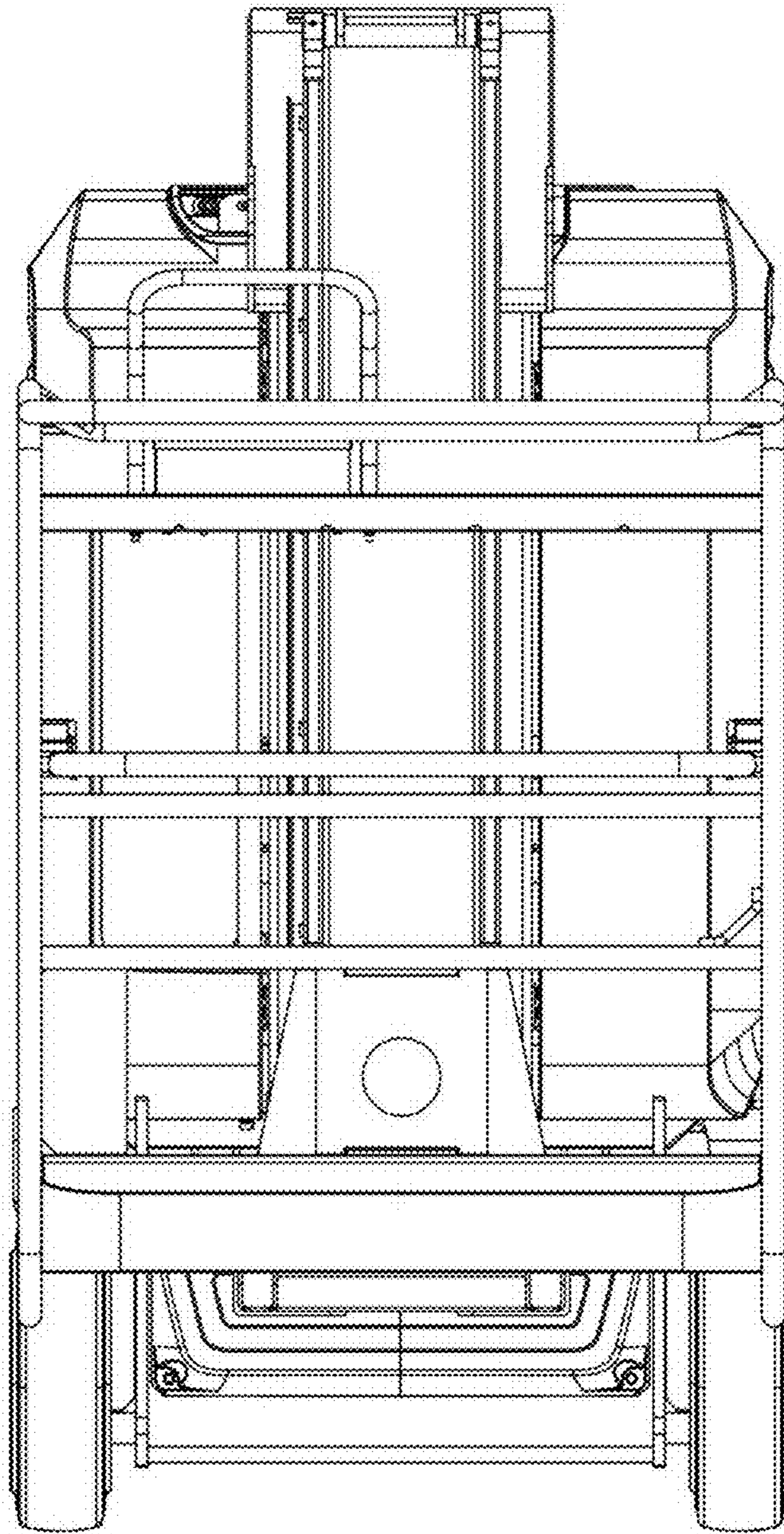
\* cited by examiner



1.1

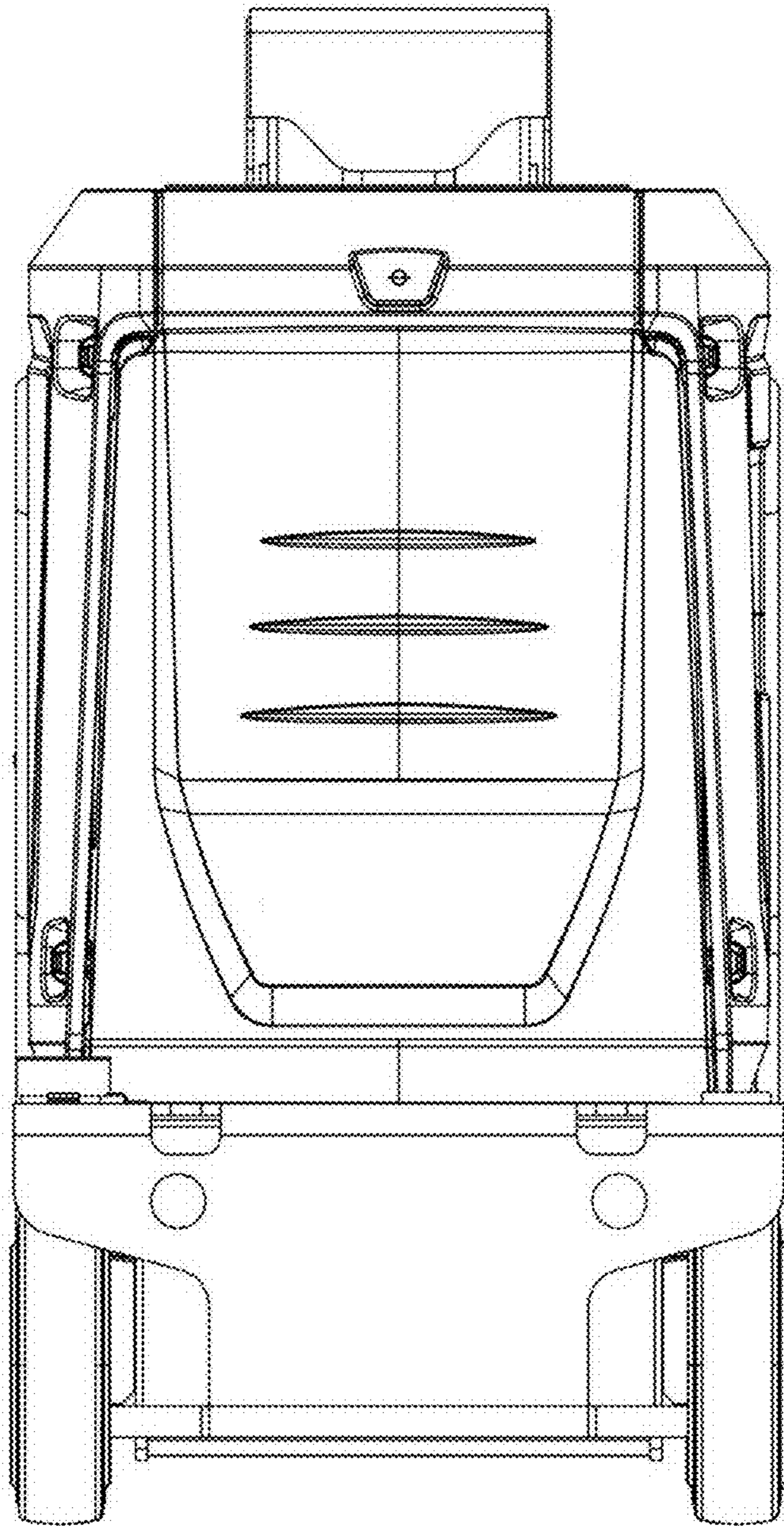


1.2

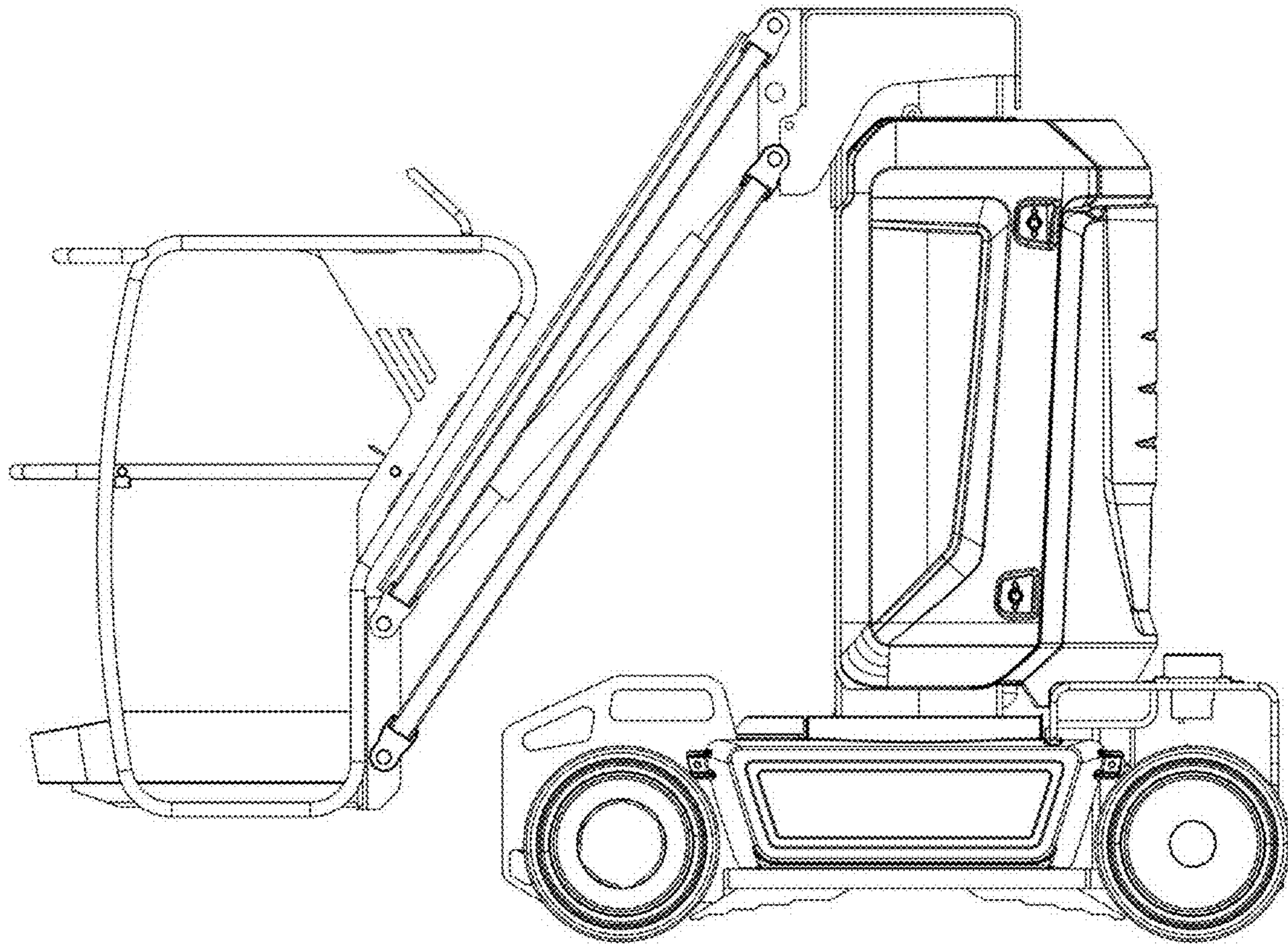




1.3

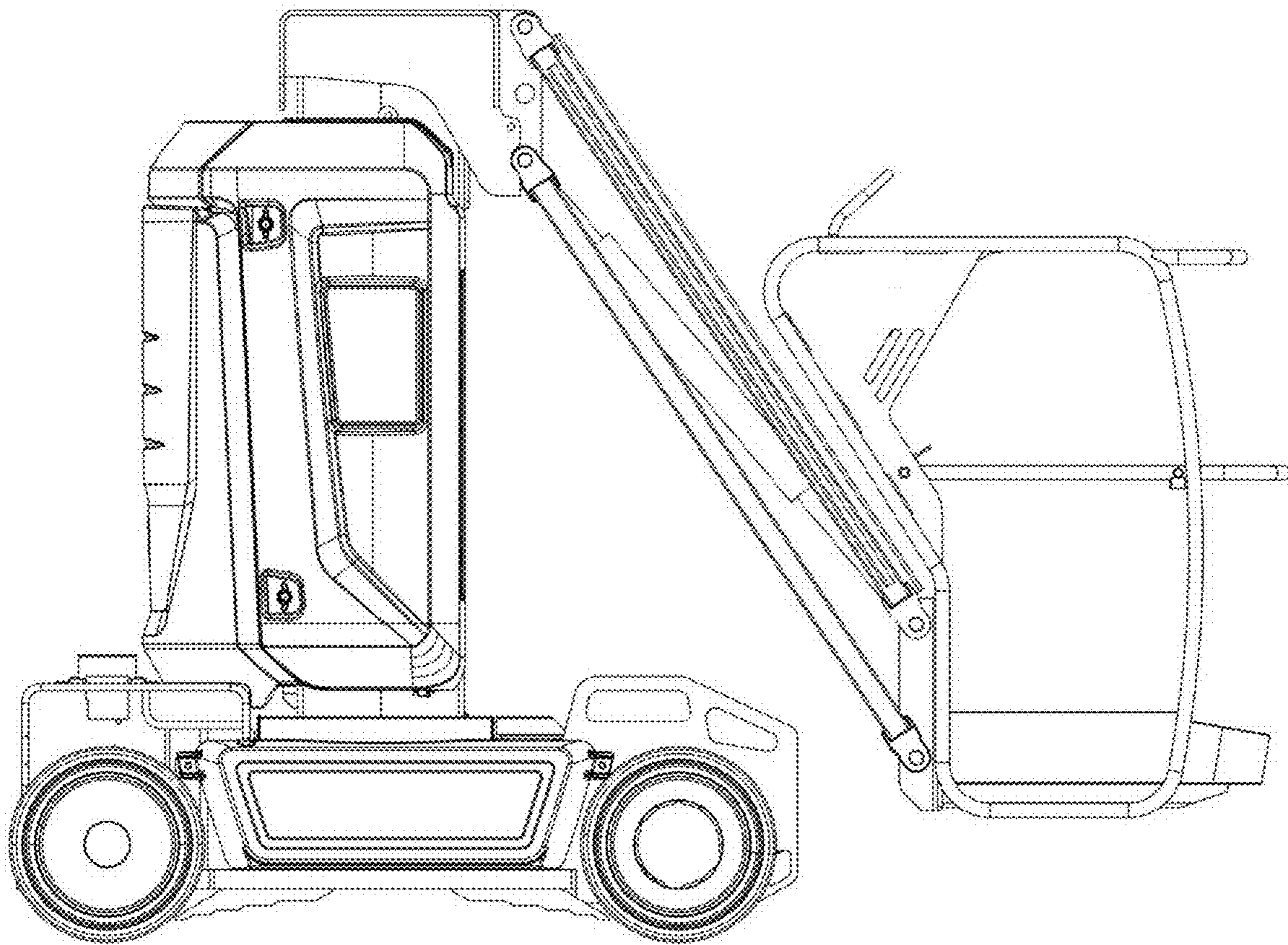


1.4





1.5



1.6

