



US00D778021S

(12) **United States Design Patent**
Duvigneau

(10) **Patent No.:** **US D778,021 S**

(45) **Date of Patent:** **** Jan. 31, 2017**

(54) **TRASH BIN**

(71) Applicant: **CURVER Luxembourg Sarl,**
Nieder Korn (LU)

(72) Inventor: **Nikolai Duvigneau, Zichron Yaacov**
(IL)

(73) Assignee: **CURVER LUXEMBOURG SARL,**
Neidercorn (LU)

(**) Term: **15 Years**

(21) Appl. No.: **29/533,025**

(22) Filed: **Jul. 13, 2015**

(30) **Foreign Application Priority Data**

Jan. 11, 2015 (IL) 0056428

(51) **LOC (10) Cl.** **09-09**

(52) **U.S. Cl.**
USPC **D34/9**

(58) **Field of Classification Search**
USPC D34/1-9; 220/908, 263, 909, 23.87,
220/495.06, 495.11, 810
CPC B65F 1/163; B65F 1/1615; B65F 1/1623;
B65F 1/16
See application file for complete search history.

(56) **References Cited**

U.S. PATENT DOCUMENTS

D319,905 S * 9/1991 Hotchkiss D34/7
D322,350 S * 12/1991 Craft, Jr. D34/7
D490,583 S * 5/2004 Yang D34/9

D507,090 S * 7/2005 Yang D34/9
D555,320 S * 11/2007 Yang D34/9
D559,495 S * 1/2008 Yang D34/9
D568,570 S * 5/2008 Lin D34/9
D568,571 S * 5/2008 Lin D34/9
2008/0245794 A1* 10/2008 Escobar B65F 1/163
220/263
2009/0039081 A1* 2/2009 Fort B65F 1/06
220/23.87

* cited by examiner

Primary Examiner — Cynthia Ramirez

Assistant Examiner — Gino Colan

(74) *Attorney, Agent, or Firm* — Dorsey & Whitney LLP

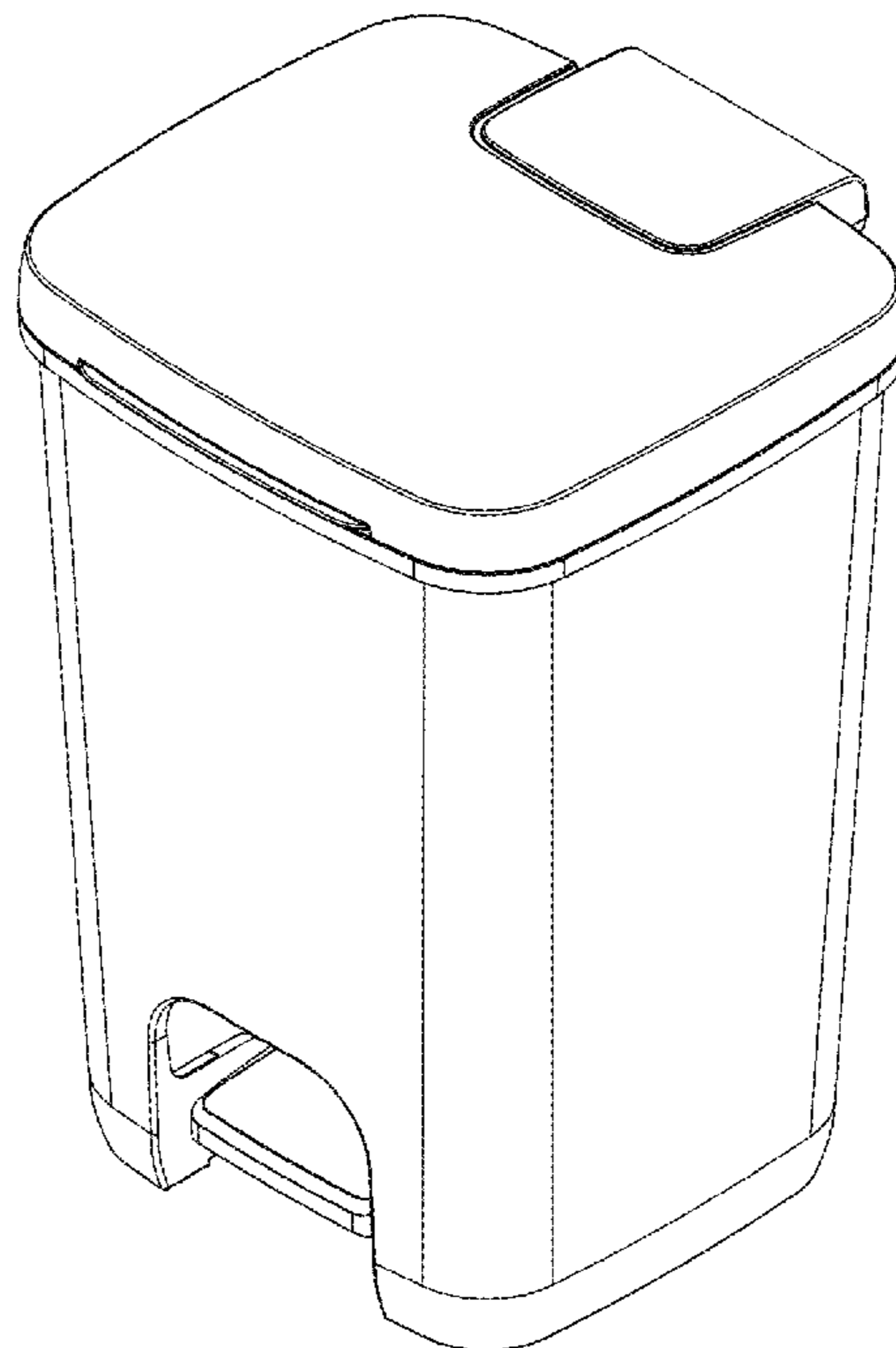
(57) **CLAIM**

The ornamental design for a trash bin, as shown and described.

DESCRIPTION

FIG. 1 is a front, top, right perspective view of a new design for a trash bin;
FIG. 2 is a rear, top, right perspective view of the new design for a trash bin seen in FIG. 1;
FIG. 3 is a front elevation view of the new design for a trash bin seen in FIG. 1;
FIG. 4 is a rear elevation view of the new design for a trash bin seen in FIG. 1;
FIG. 5 is a left side elevation view of the new design for a trash bin in FIG. 1; and
FIG. 6 is a right side elevation view of the new design for a trash bin seen in FIG. 1; and,
FIG. 7 is a top plan view of the new design for a trash bin seen in FIG. 1.

1 Claim, 7 Drawing Sheets



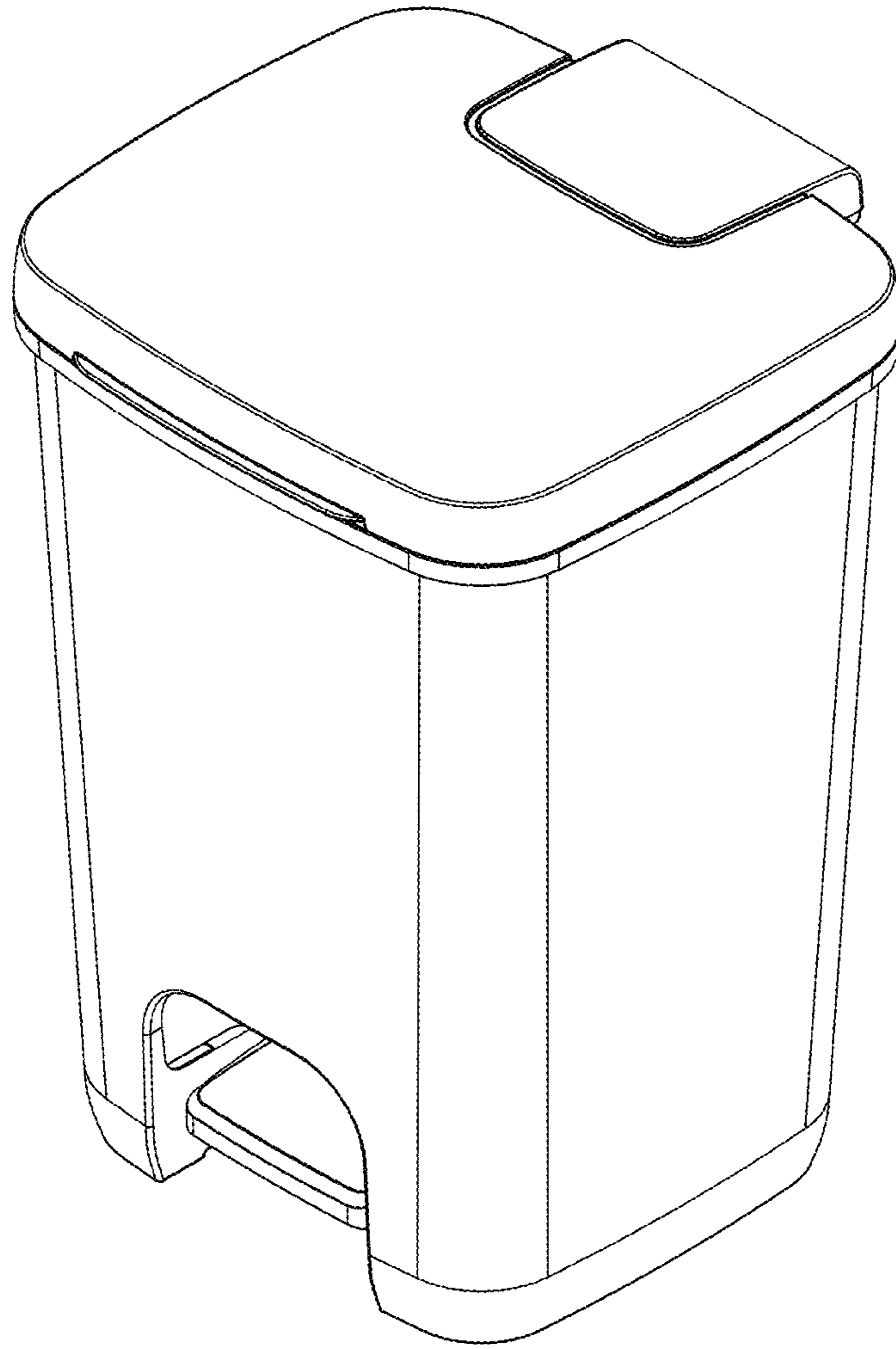


FIG. 1

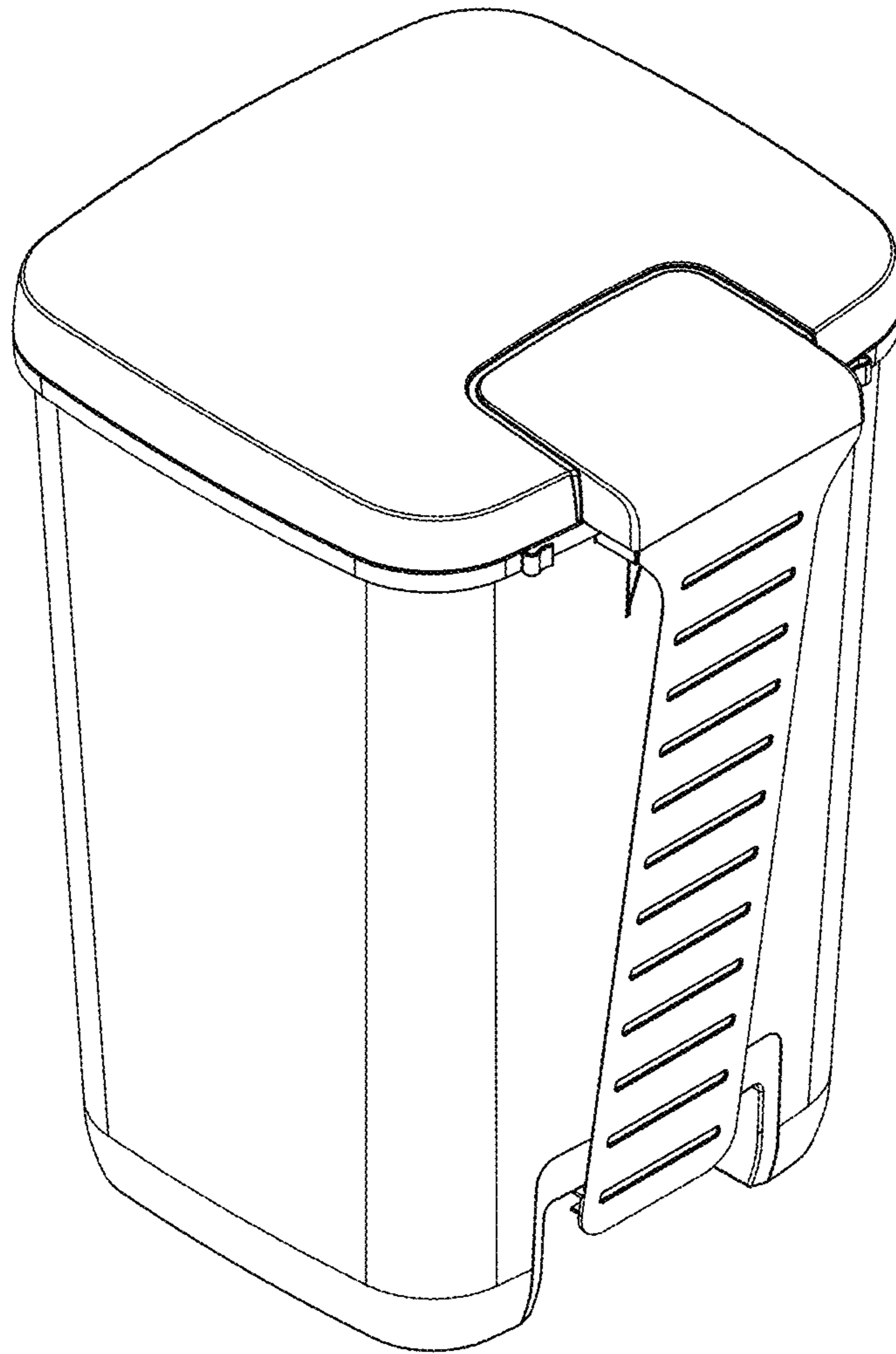


FIG. 2

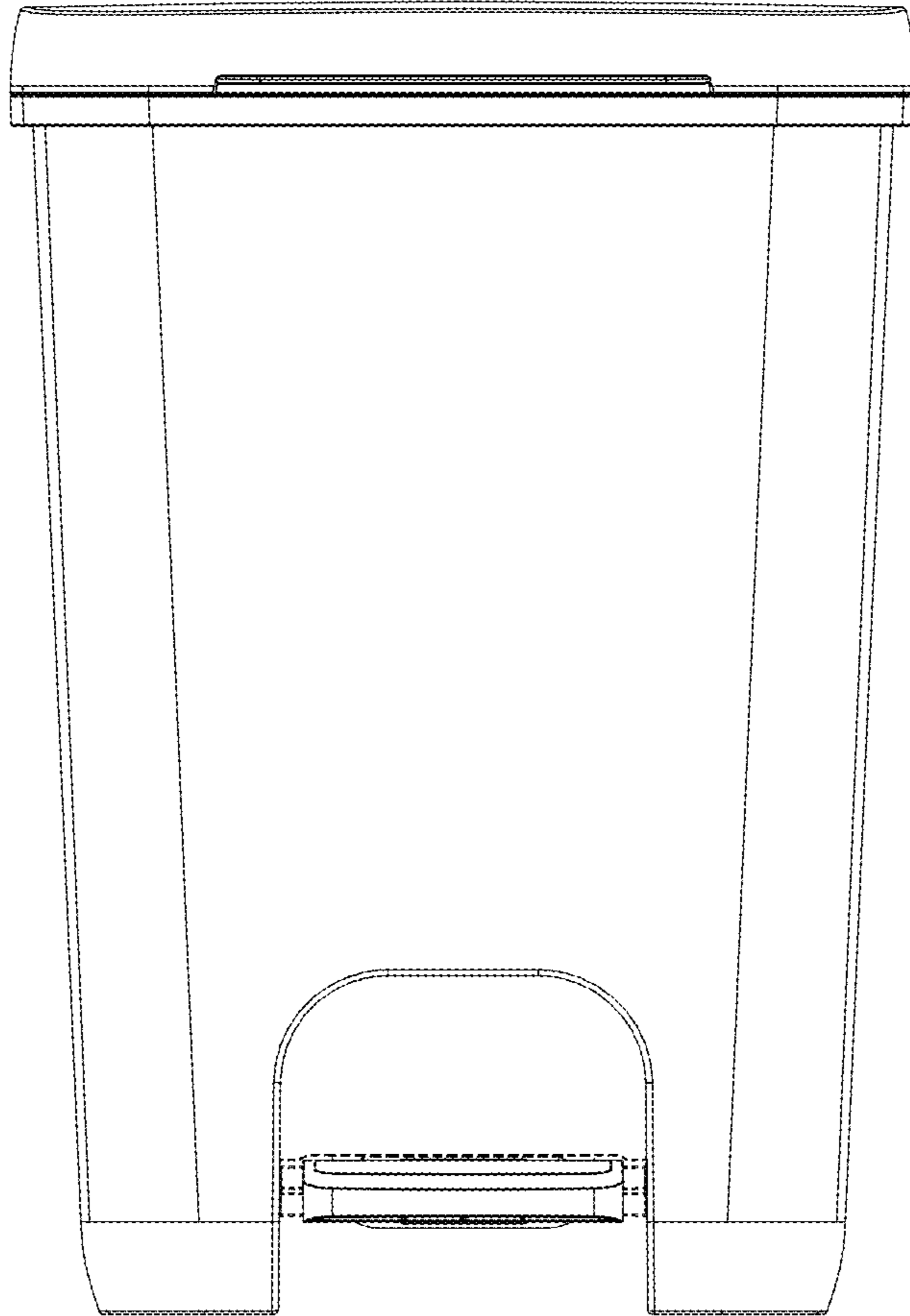


FIG. 3

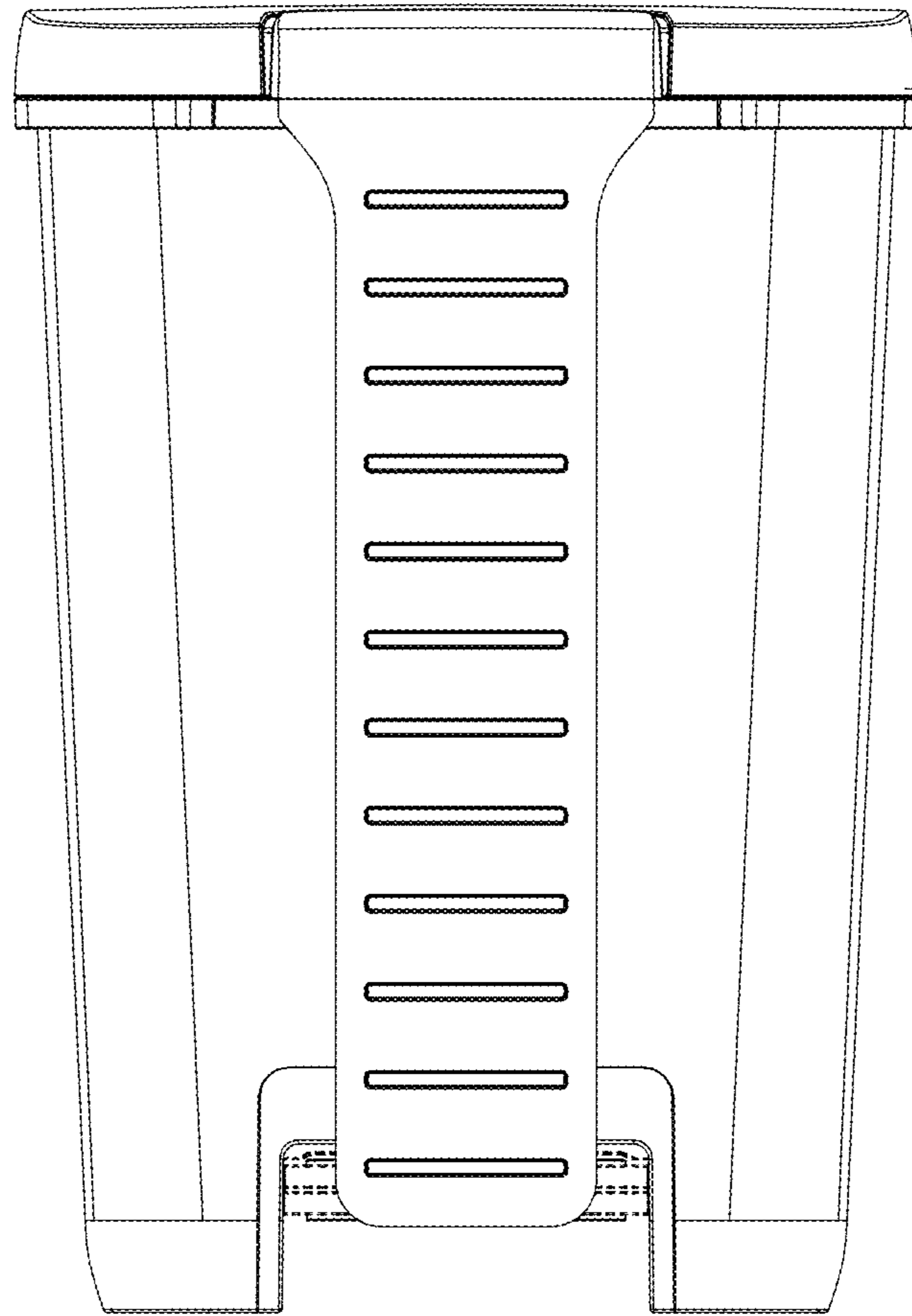


FIG. 4

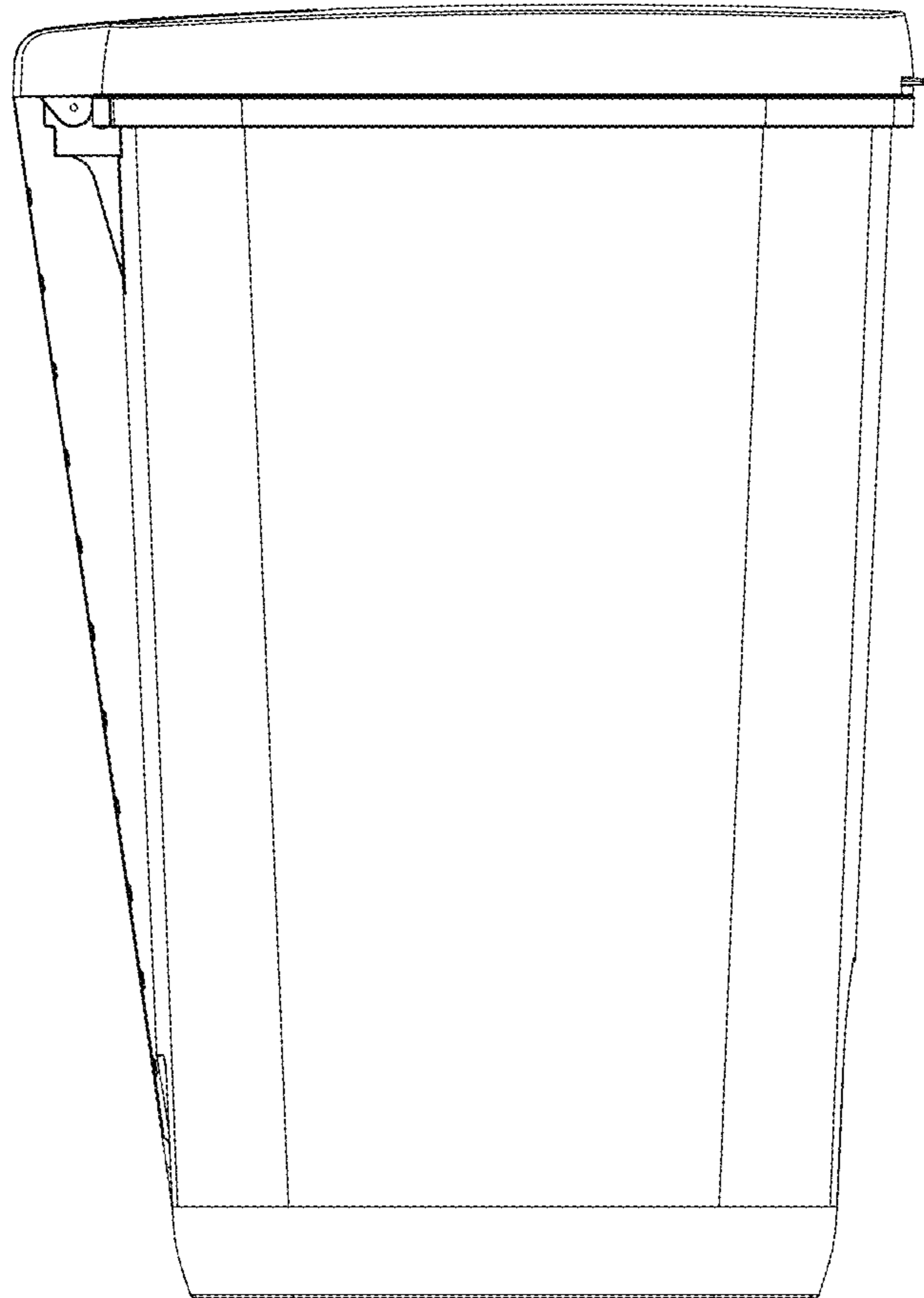


FIG. 5

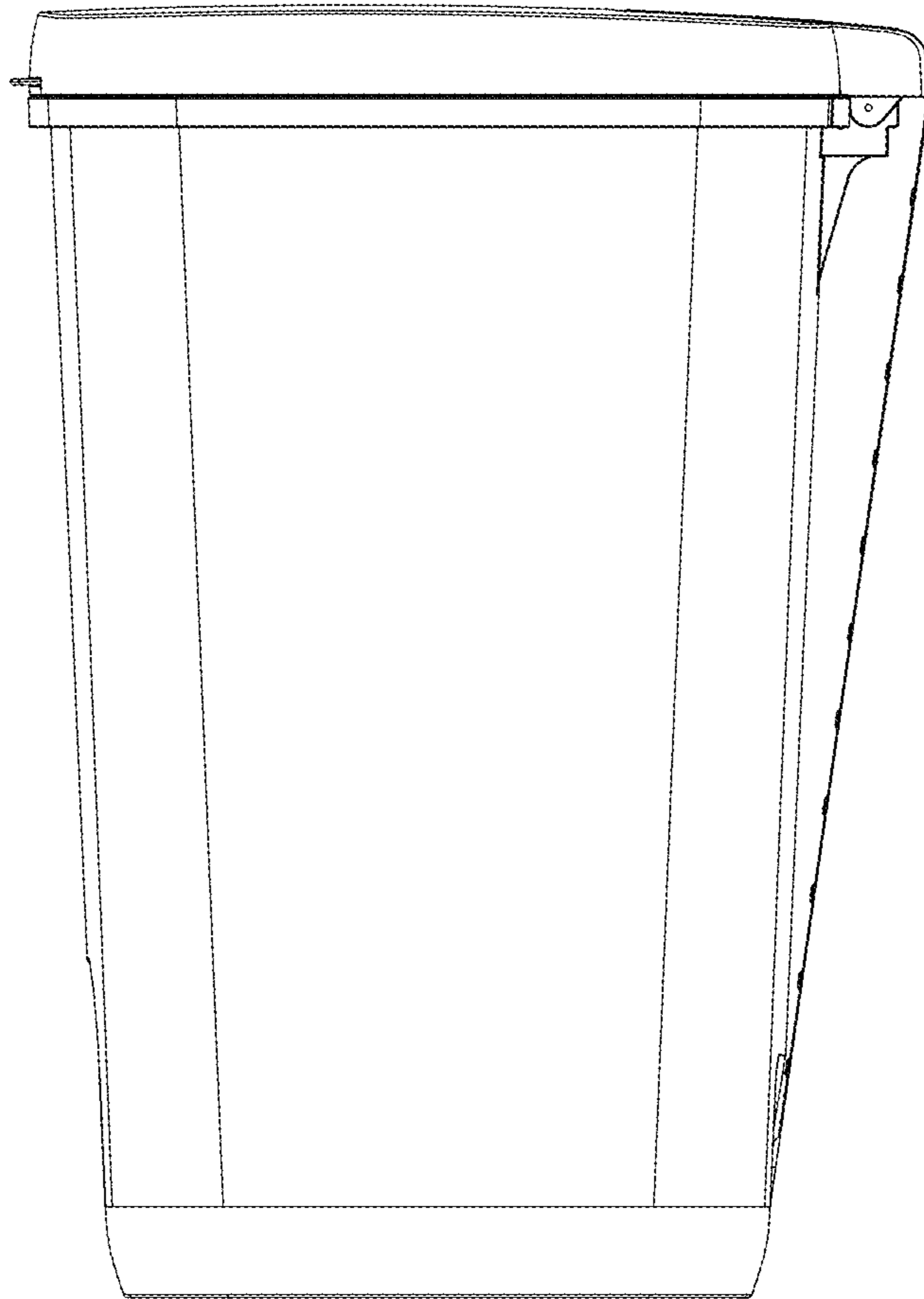


FIG. 6

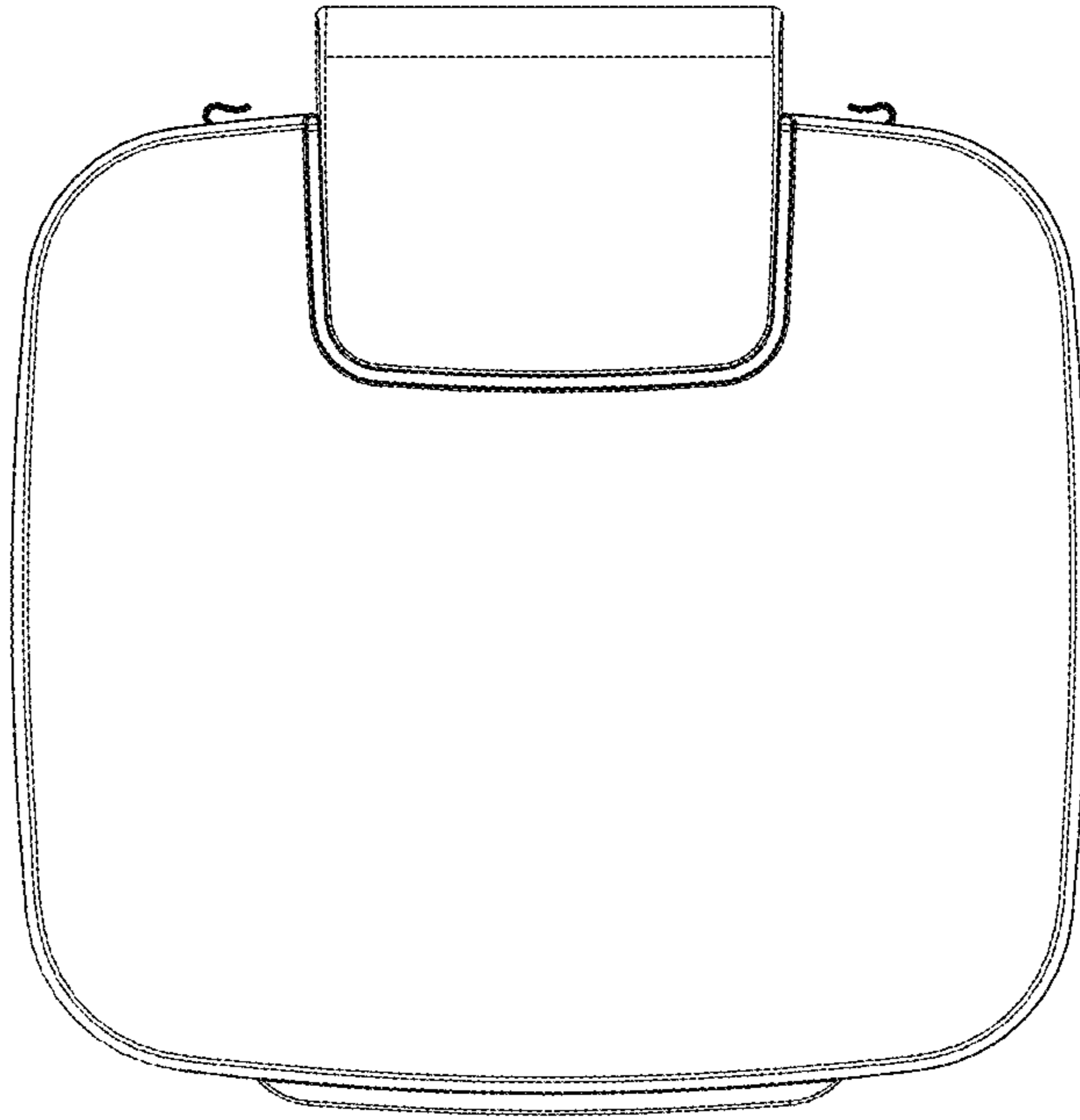


FIG. 7