



US00D778018S

(12) **United States Design Patent**  
**Bu et al.**

(10) **Patent No.:** **US D778,018 S**  
(45) **Date of Patent:** **\*\* Jan. 31, 2017**

(54) **BRUSH FOR VACUUM CLEANER**

(71) Applicant: **Samsung Electronics Co., Ltd.**,  
Suwon-si, Gyeonggi-do (KR)

(72) Inventors: **Minhyouk Bu**, Seoul (KR); **Sanghun Yoon**, Seoul (KR); **Cheolyeon Jo**, Seoul (KR); **Jaewon Choi**, Seoul (KR)

(73) Assignee: **SAMSUNG ELECTRONICS CO., LTD.**, Suwon-si, Gyeonggi-Do (KR)

(\*\*) Term: **15 Years**

(21) Appl. No.: **29/529,875**

(22) Filed: **Jun. 11, 2015**

(30) **Foreign Application Priority Data**

Dec. 15, 2014 (KR) ..... 30-2014-0061138

(51) **LOC (10) Cl.** ..... **15-05**

(52) **U.S. Cl.**  
USPC ..... **D32/32**

(58) **Field of Classification Search**  
USPC ..... D32/25, 31-33  
CPC ..... A47L 9/02; A47L 9/06; A47L 5/28;  
A47L 5/24; A47L 11/4044; E04H 4/1654;  
E04H 4/34  
See application file for complete search history.

(56) **References Cited**

**U.S. PATENT DOCUMENTS**

D443,120 S *	5/2001	Choi	.....	D32/32
D457,696 S *	5/2002	Worwag	.....	D32/32
D460,231 S *	7/2002	Bagwell	.....	D32/32
D507,854 S *	7/2005	Kim	.....	D32/32
D511,231 S *	11/2005	Langham	.....	D32/33
D518,932 S *	4/2006	Maruyama	.....	D32/32

D564,720 S *	3/2008	Dyson	.....	D32/32
D599,515 S *	9/2009	Davies	.....	D32/32
D616,164 S *	5/2010	McLeod	.....	D32/32
D643,168 S *	8/2011	Dyson	.....	D32/32
D649,725 S *	11/2011	Fjellman	.....	D32/32
D698,510 S *	1/2014	Chu	.....	D32/32
D741,559 S *	10/2015	Marsden	.....	D32/32
2003/0217431 A1 *	11/2003	Uratani	.....	A47L 9/02 15/328
2007/0089263 A1 *	4/2007	Song	.....	A47L 9/0081 15/415.1
2009/0049642 A1 *	2/2009	Oh	.....	A47L 9/06 15/332

**FOREIGN PATENT DOCUMENTS**

EM	000280516-0001	1/2005
EM	000930151-0002	5/2008
KR	30-0701840	7/2013

\* cited by examiner

*Primary Examiner* — Ruth McInroy

(74) *Attorney, Agent, or Firm* — Ladas & Parry LLP

(57) **CLAIM**

We claim the ornamental design for a brush for vacuum cleaner, as shown and described.

**DESCRIPTION**

FIG. 1 is the front perspective view of the brush for vacuum cleaner showing our new design; FIG. 2 is the front view thereof; FIG. 3 is the rear view thereof; FIG. 4 is the left-side view thereof; FIG. 5 is the right-side view thereof; and, FIG. 6 is the top plan view thereof. The broken lines in the drawing show unclaimed environment only and form no part of the claimed design.

**1 Claim, 6 Drawing Sheets**

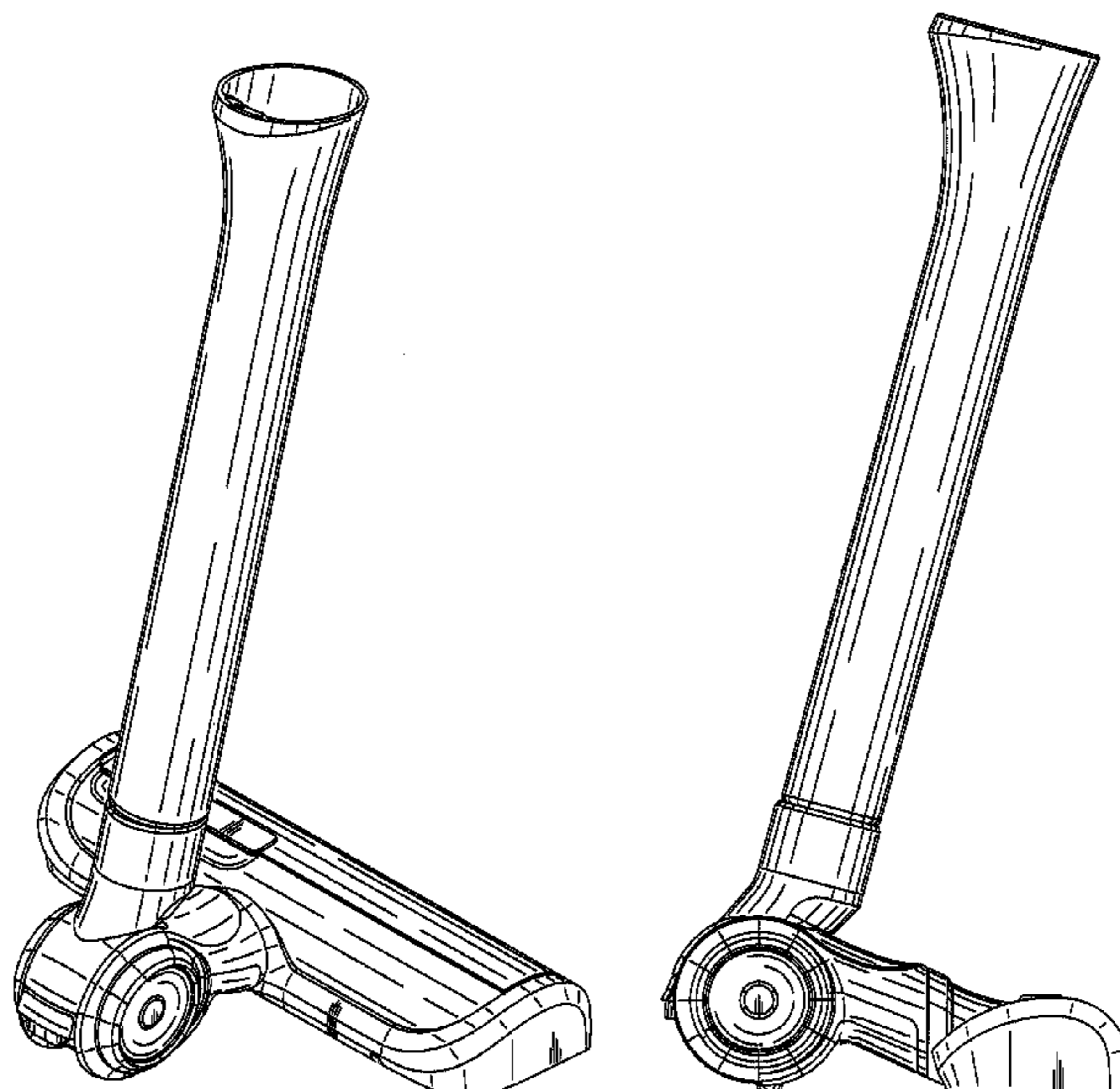


FIG. 1

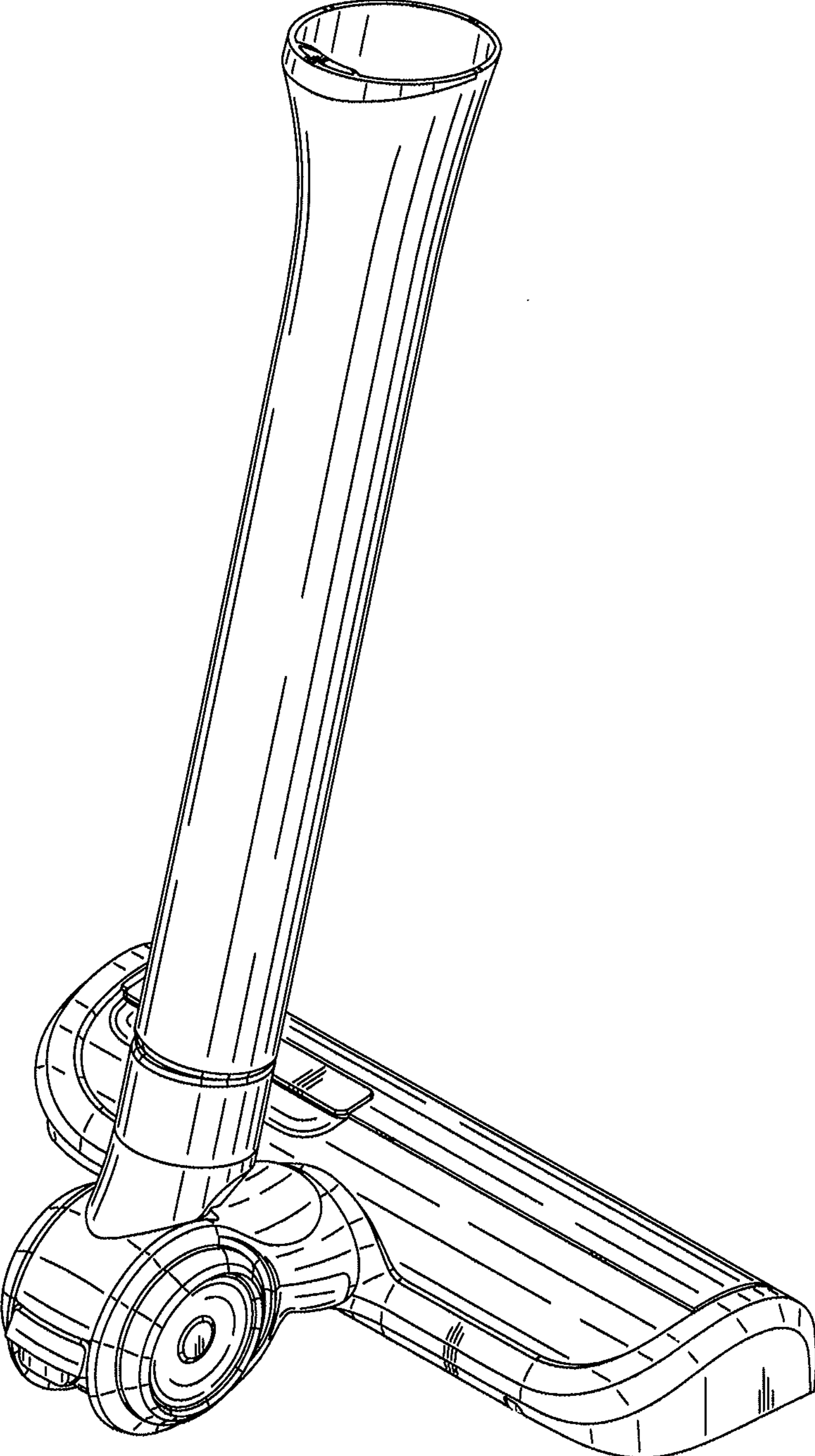


FIG. 2

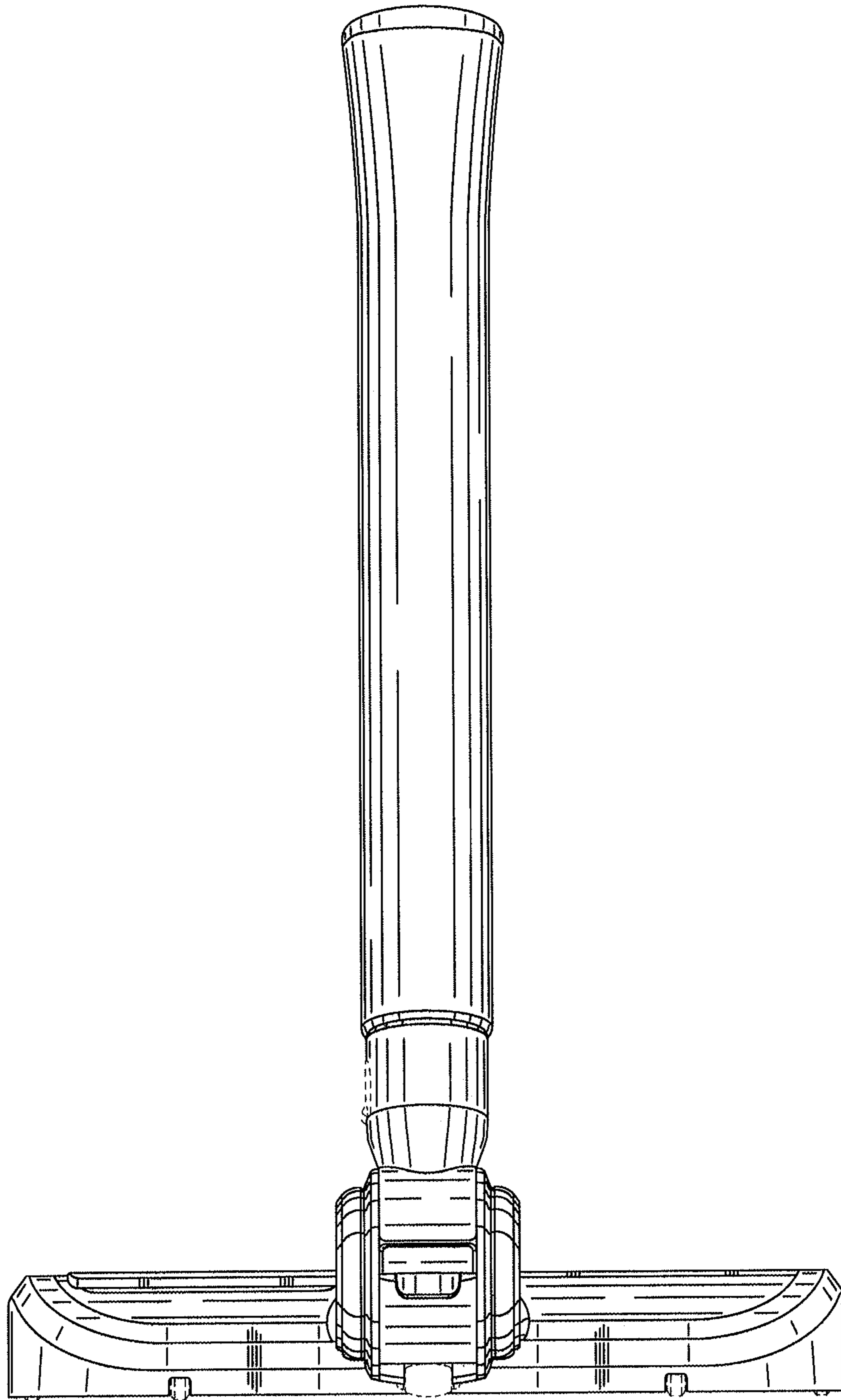


FIG. 3

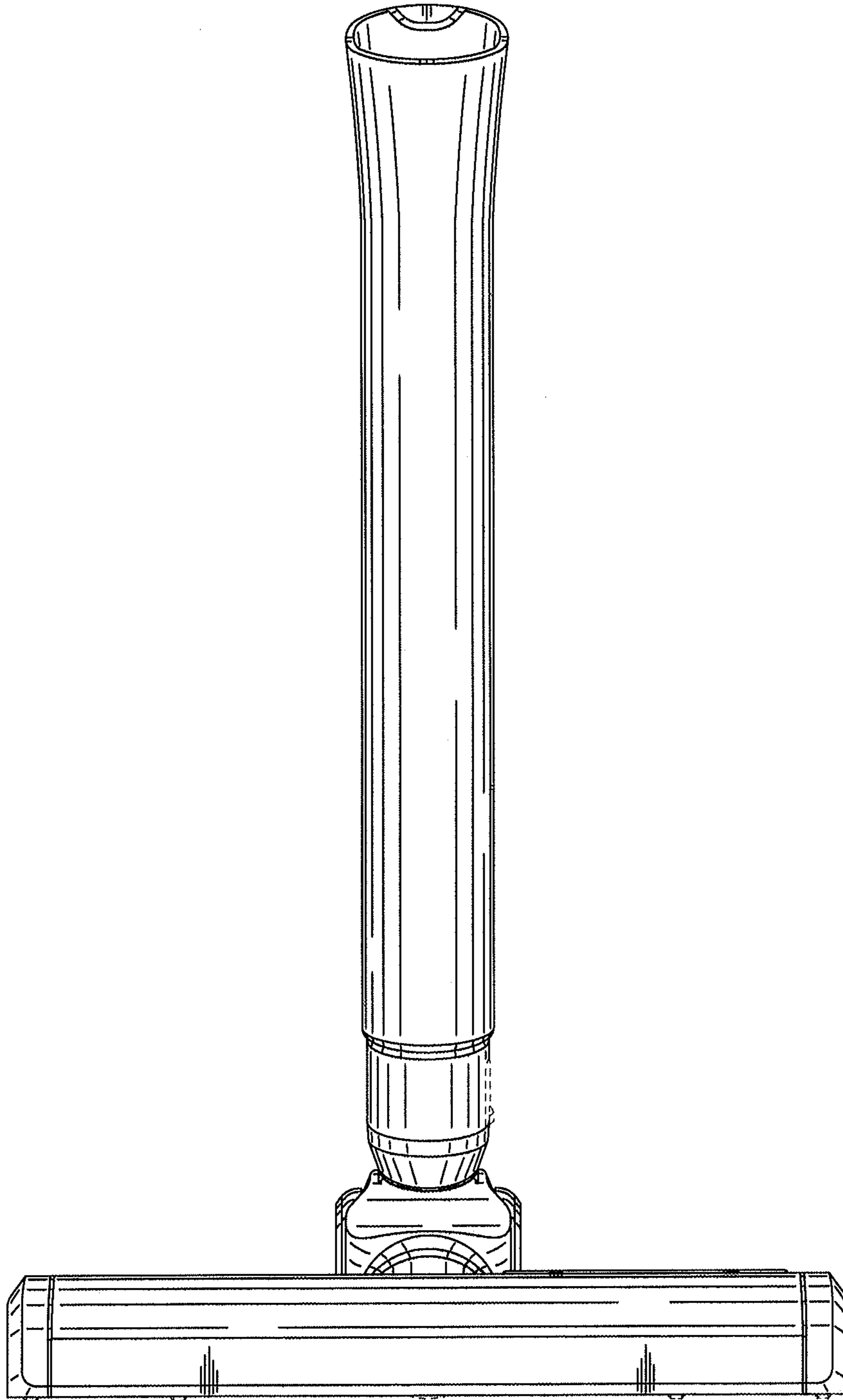


FIG. 4

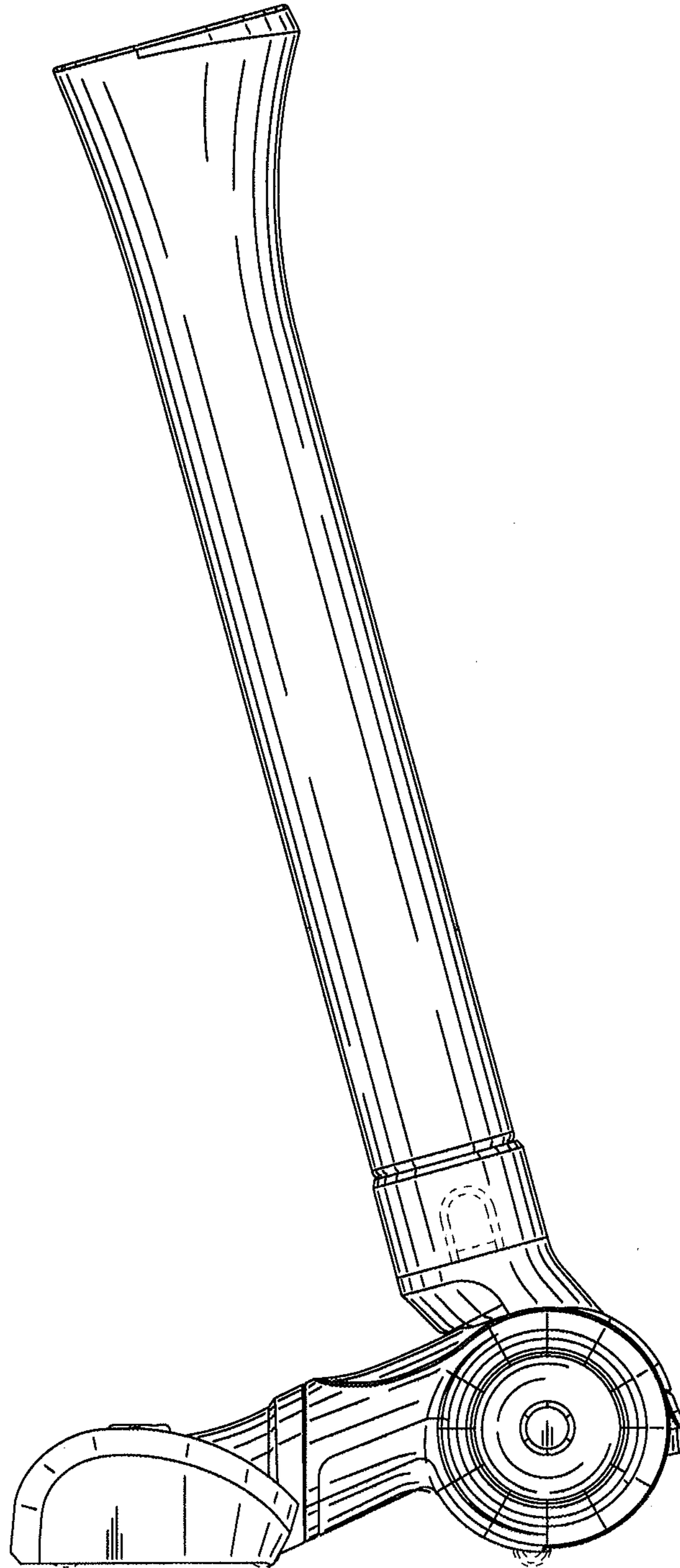




FIG. 5

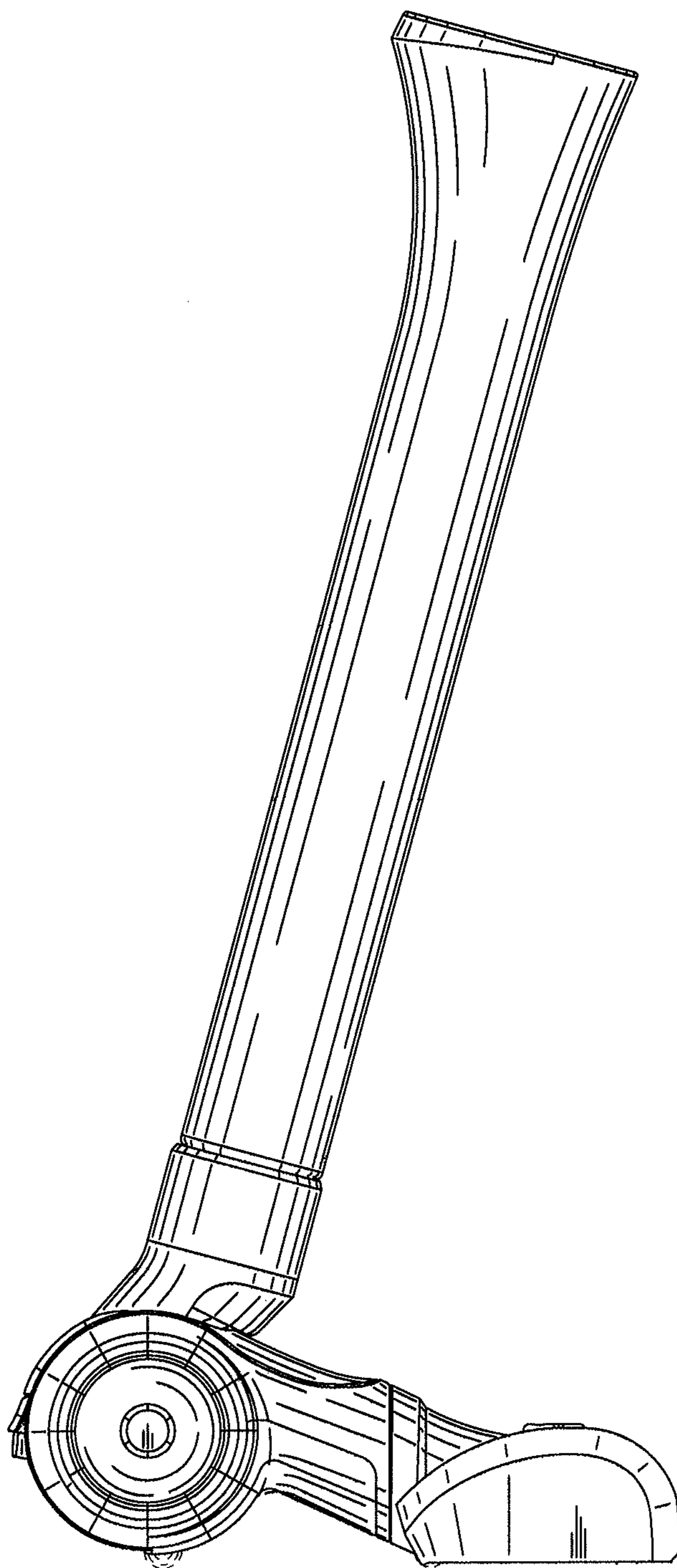


FIG. 6

