



US00D778017S

(12) **United States Design Patent**
Park et al.

(10) **Patent No.:** **US D778,017 S**
(45) **Date of Patent:** **** Jan. 31, 2017**

- (54) **INTAKE FOR ROBOT CLEANER**
- (71) Applicant: **Samsung Electronics Co., Ltd.**,
Suwon-si, Gyeonggi-do (KR)
- (72) Inventors: **Yuna Park**, Seoul (KR); **Dong-Won Chun**, Seoul (KR); **Yeon-Young Nam**,
Goyang-si (KR)
- (73) Assignee: **SAMSUNG ELECTRONICS CO., LTD**, Gyeonggi-Do (KR)
- (**) Term: **14 Years**
- (21) Appl. No.: **29/514,817**
- (22) Filed: **Jan. 16, 2015**

D746,005 S * 12/2015 Cheon D32/21
 D747,580 S * 1/2016 Yun D32/32
 D751,777 S * 3/2016 Cheon D32/21
 2014/0130290 A1* 5/2014 Jang A47L 9/108
 15/319

* cited by examiner

Primary Examiner — Ruth McInroy

(74) *Attorney, Agent, or Firm* — Cantor Colburn LLP

(30) **Foreign Application Priority Data**

Jul. 17, 2014 (KR) 30-2014-0035128

(51) **LOC (10) Cl.** **15-05**

(52) **U.S. Cl.**
USPC **D32/32**

(58) **Field of Classification Search**
 USPC D32/18, 21–24, 31
 CPC A47L 9/16; A47L 9/20; A47L 9/1683;
 A47L 9/1666; A47L 9/1608; A47L
 9/2857; A47L 9/2842; A47L
 9/2836; A47L 9/2847; A47L
 9/2852; A47L 5/28; A47L 7/0038; G06N
 3/008; E04H 4/1654

See application file for complete search history.

(56) **References Cited**

U.S. PATENT DOCUMENTS

D686,379 S * 7/2013 Kim D32/32
 D744,183 S * 11/2015 Cheon D32/31
 D744,708 S * 12/2015 Cheon D32/31
 D745,757 S * 12/2015 Choi D32/21

(57) **CLAIM**

The ornamental design for an intake for robot cleaner, as shown and described.

DESCRIPTION

FIG. 1 is a front perspective view of an intake for robot cleaner, showing our new design;
 FIG. 2 is a front view thereof;
 FIG. 3 is a rear view thereof;
 FIG. 4 is a side view thereof;
 FIG. 5 is another side view thereof;
 FIG. 6 is a top view thereof;
 FIG. 7 is a bottom view thereof;
 FIG. 8 is a rear perspective view thereof; and,
 FIG. 9 is another front perspective view thereof in an environment of use.

The broken lines are for environmental purpose only and form no part of the claimed design.

1 Claim, 7 Drawing Sheets

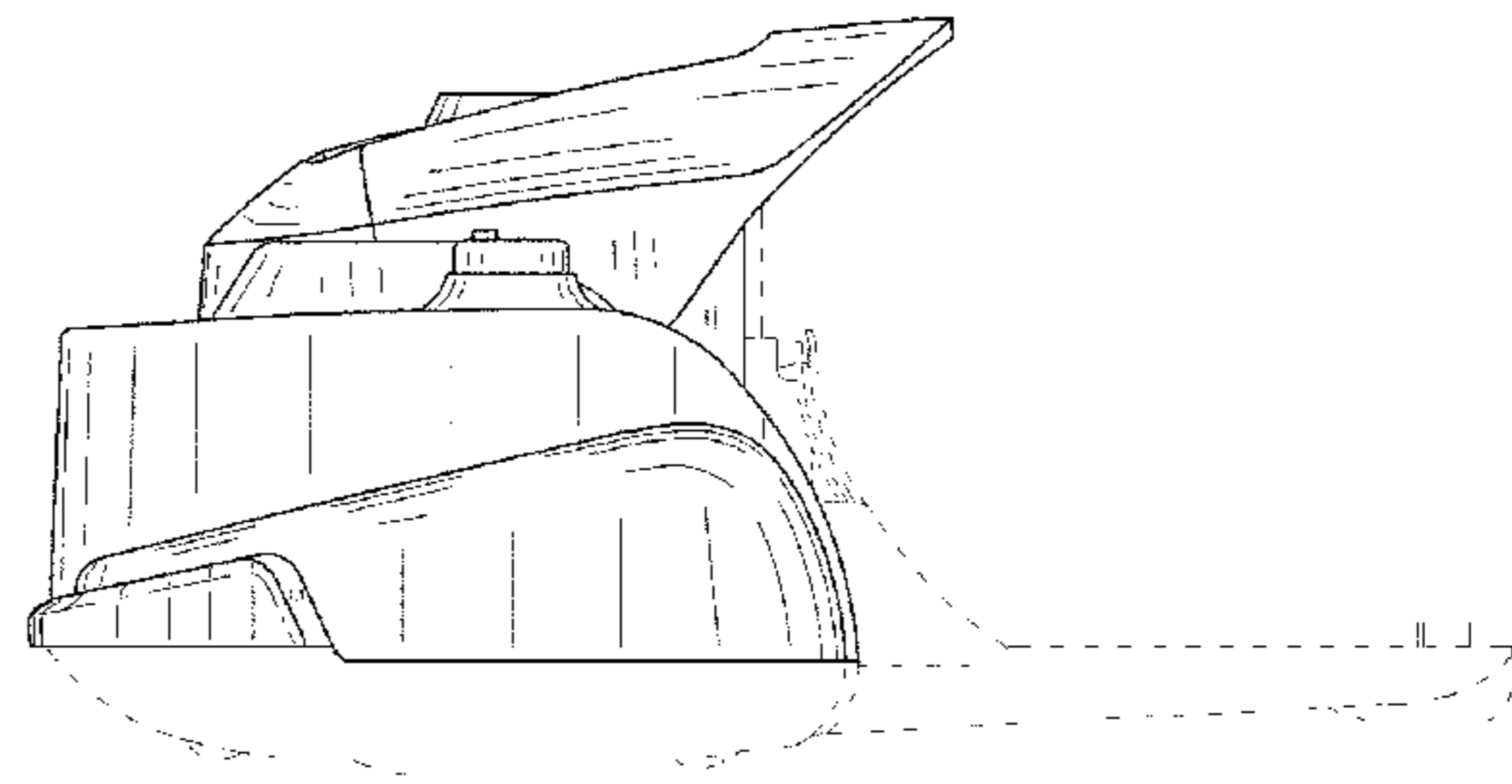
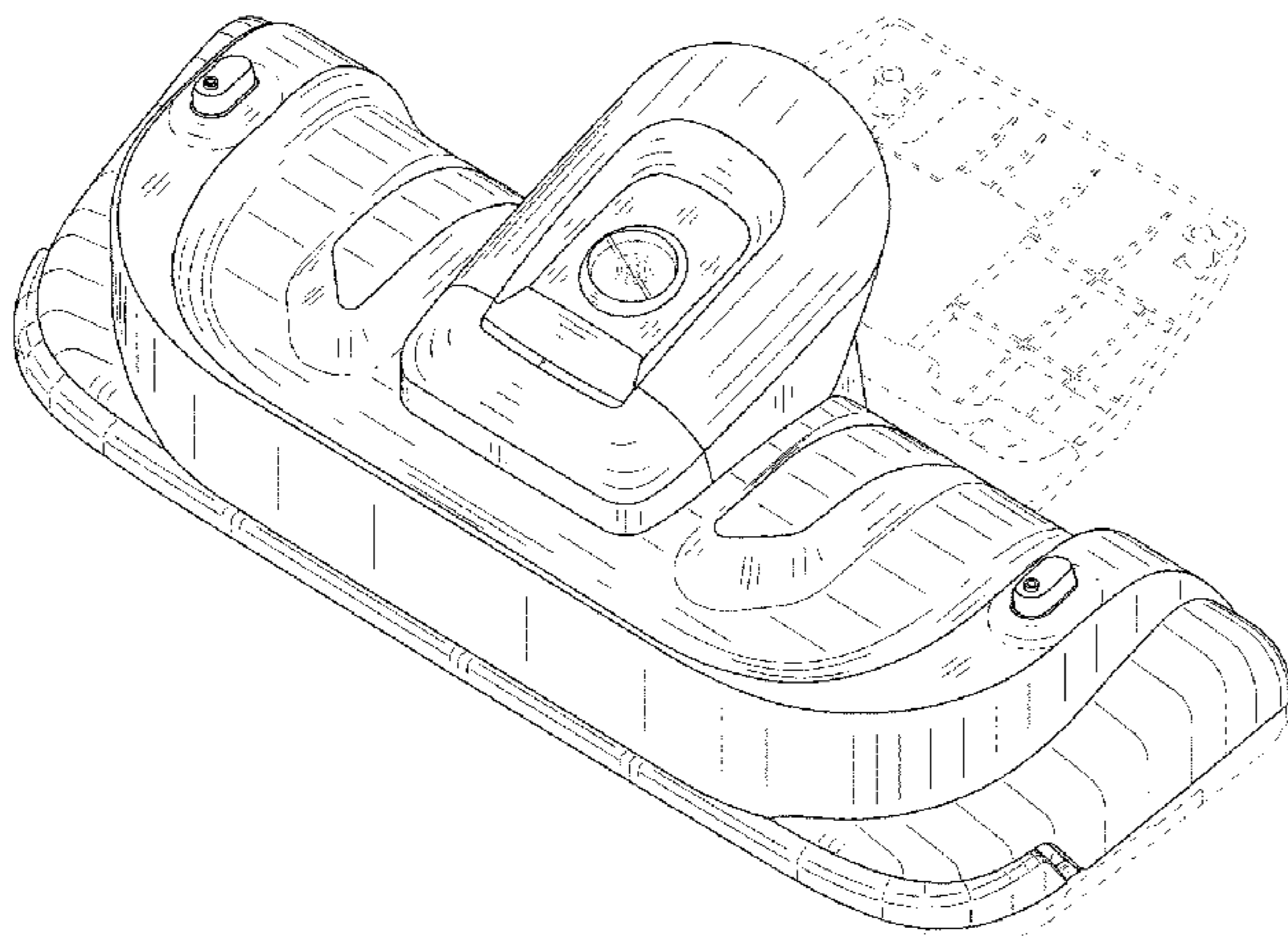


FIG. 1

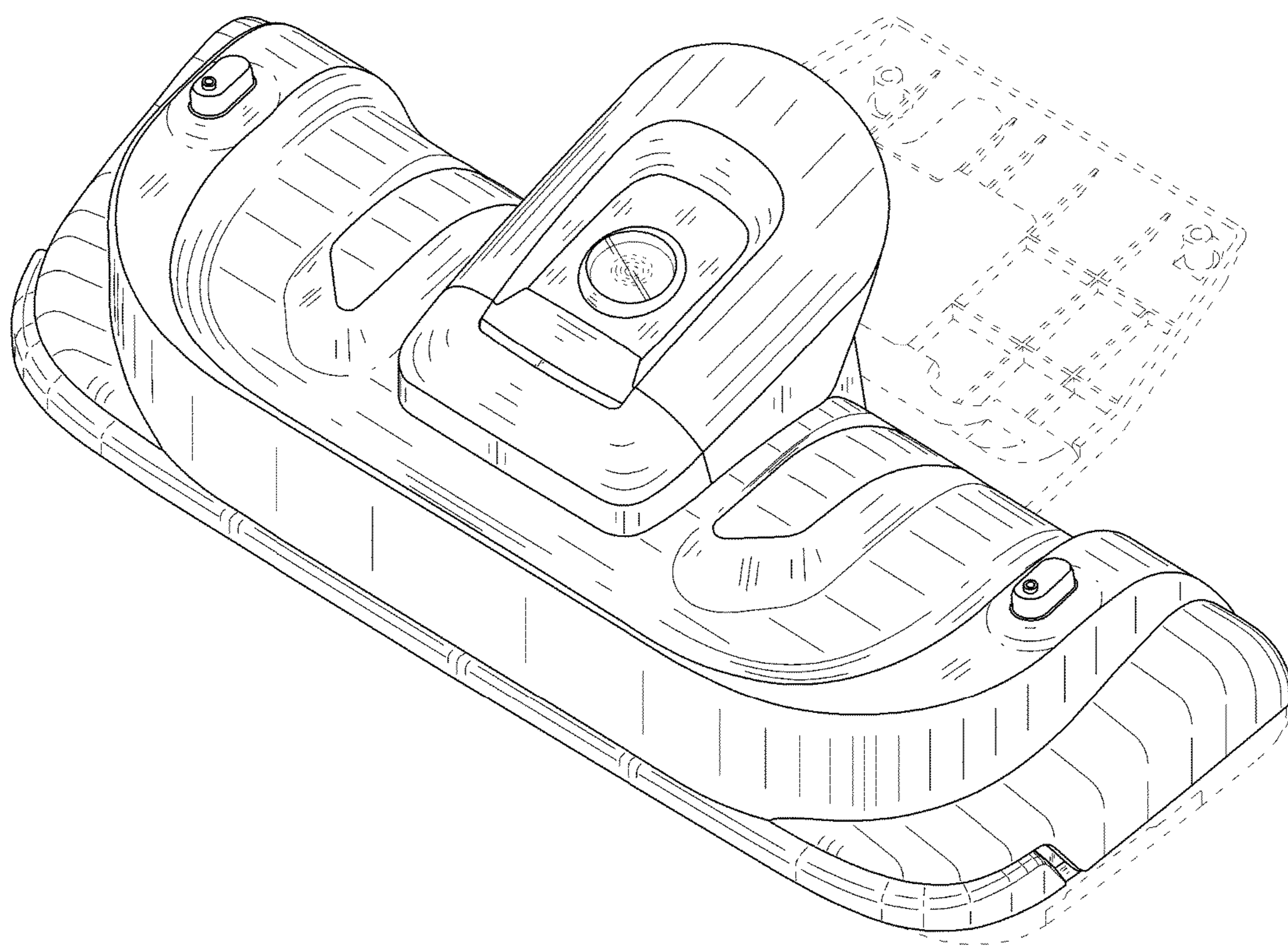


FIG. 2

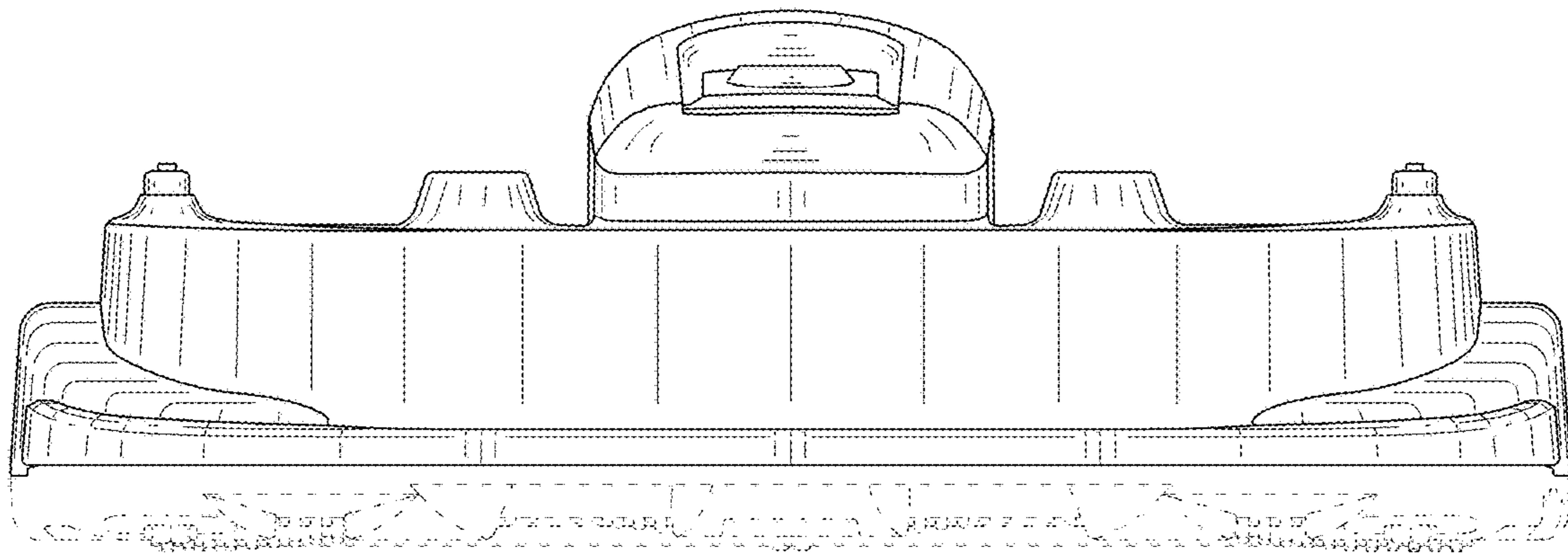


FIG. 3

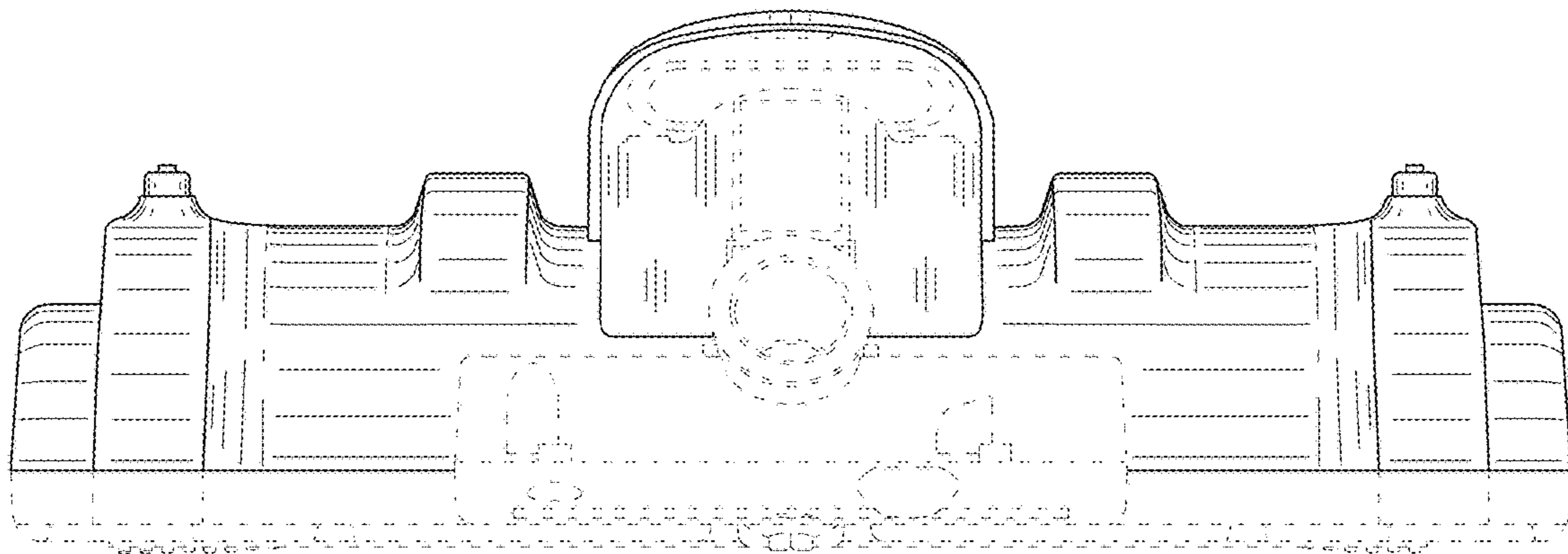


FIG. 4

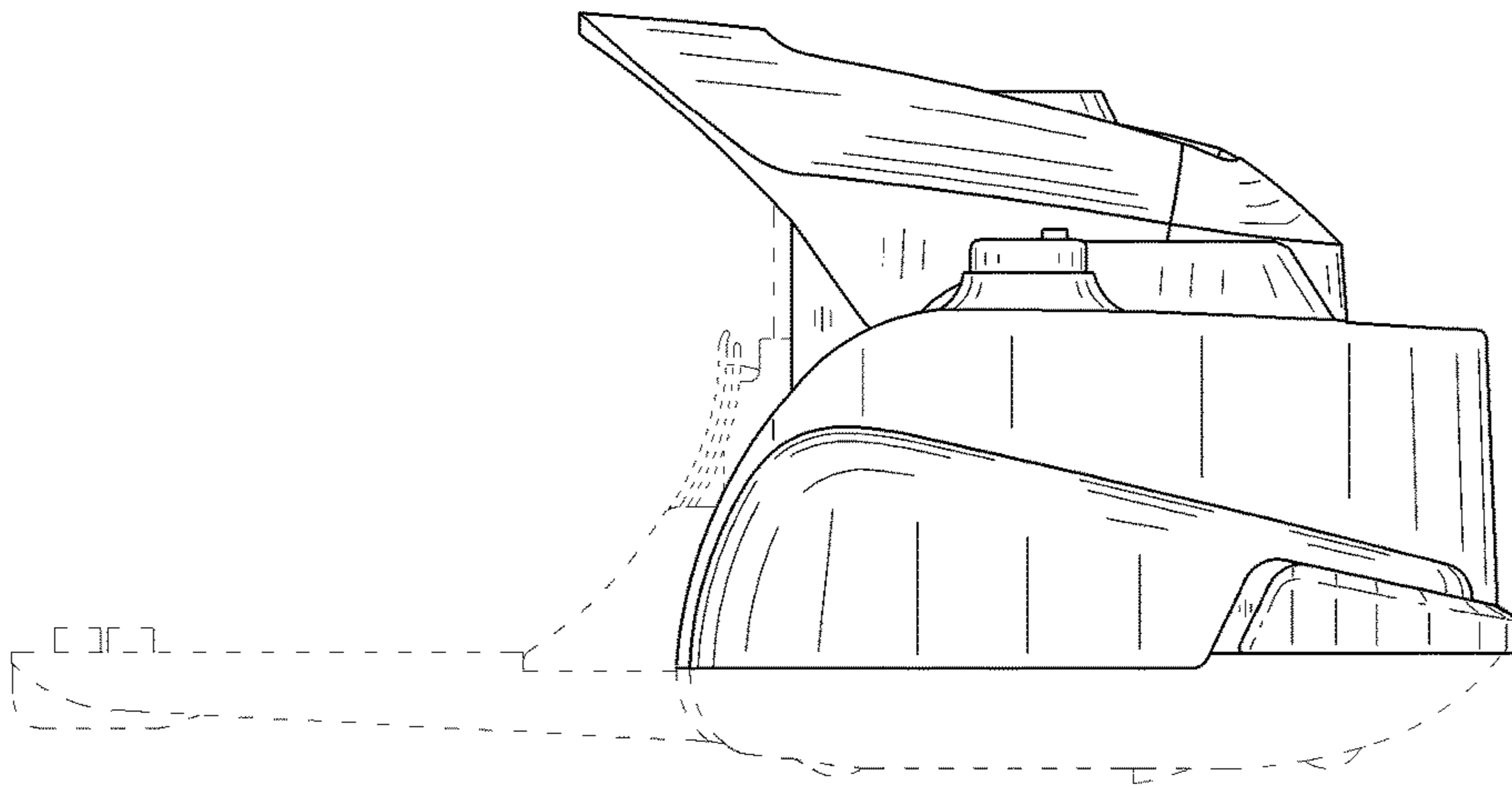


FIG. 5

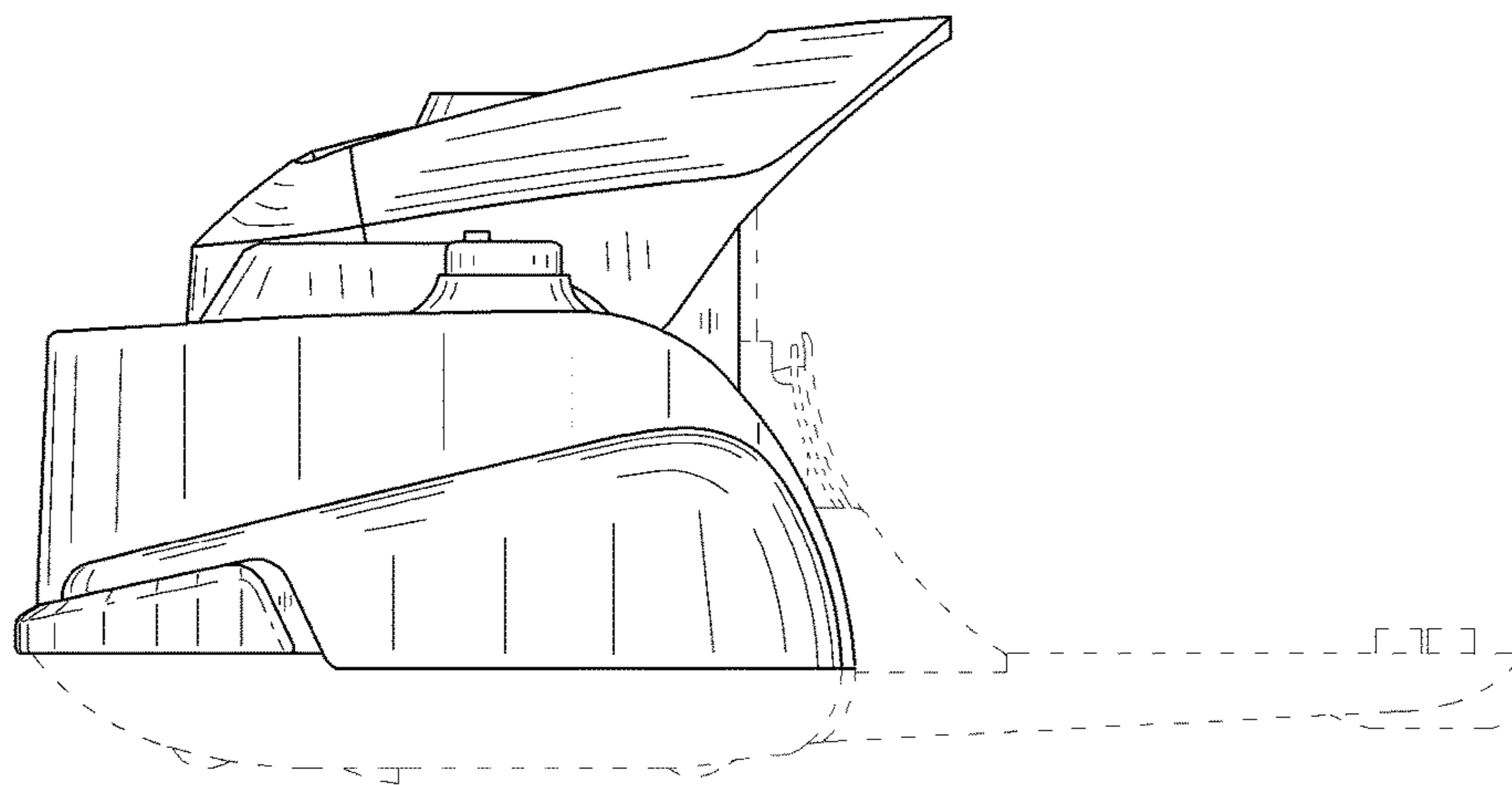


FIG. 6

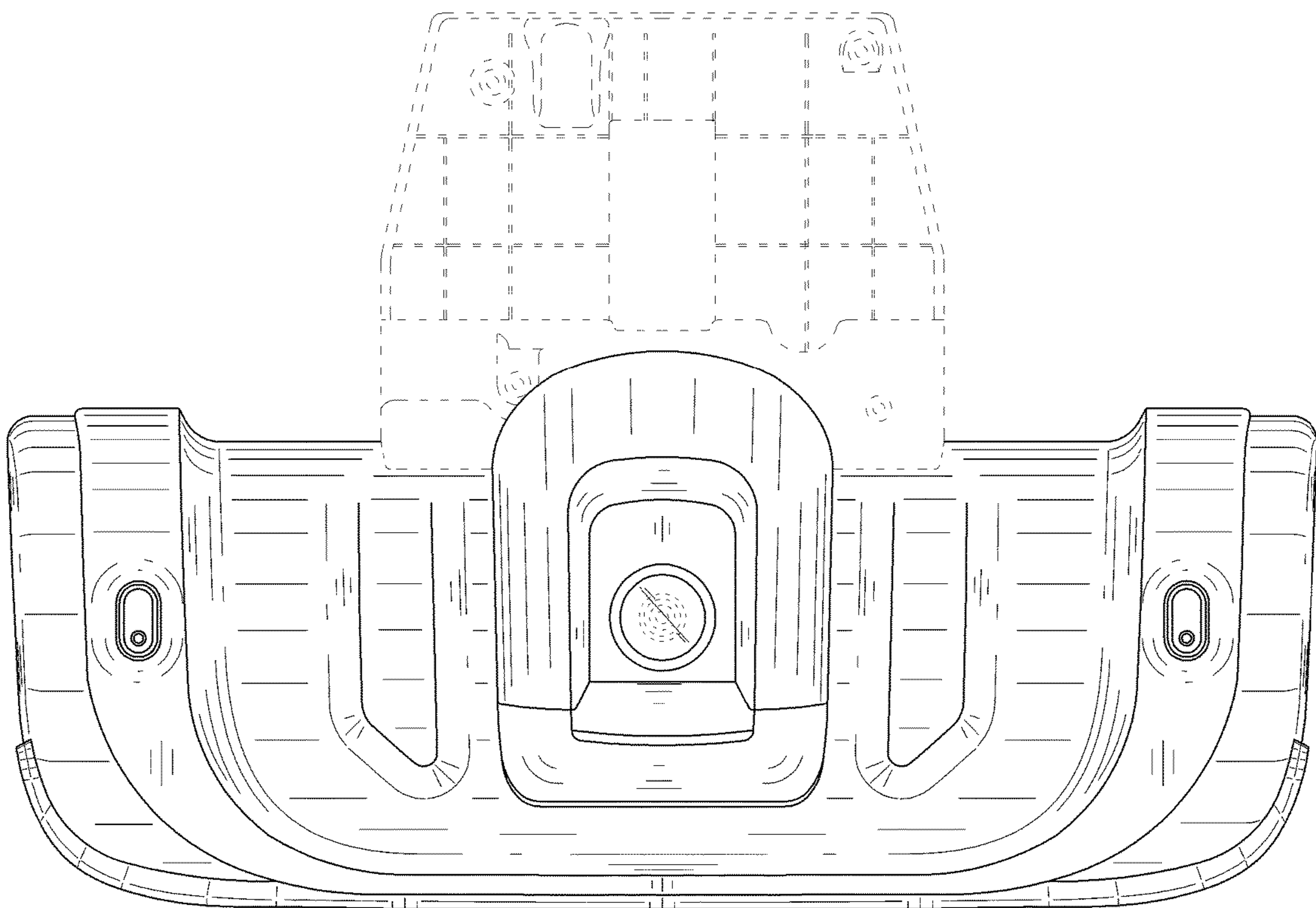


FIG. 7

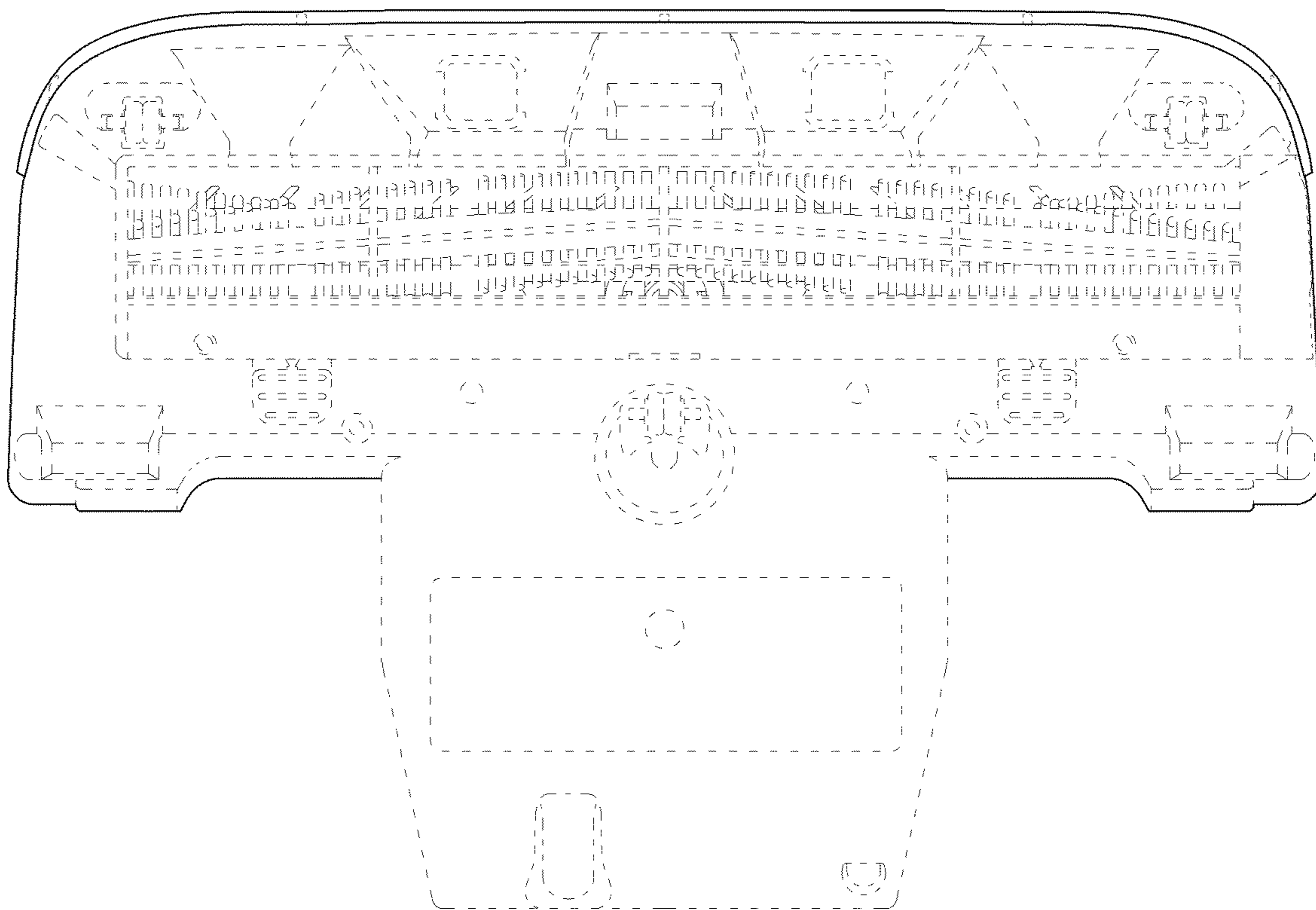


FIG. 8

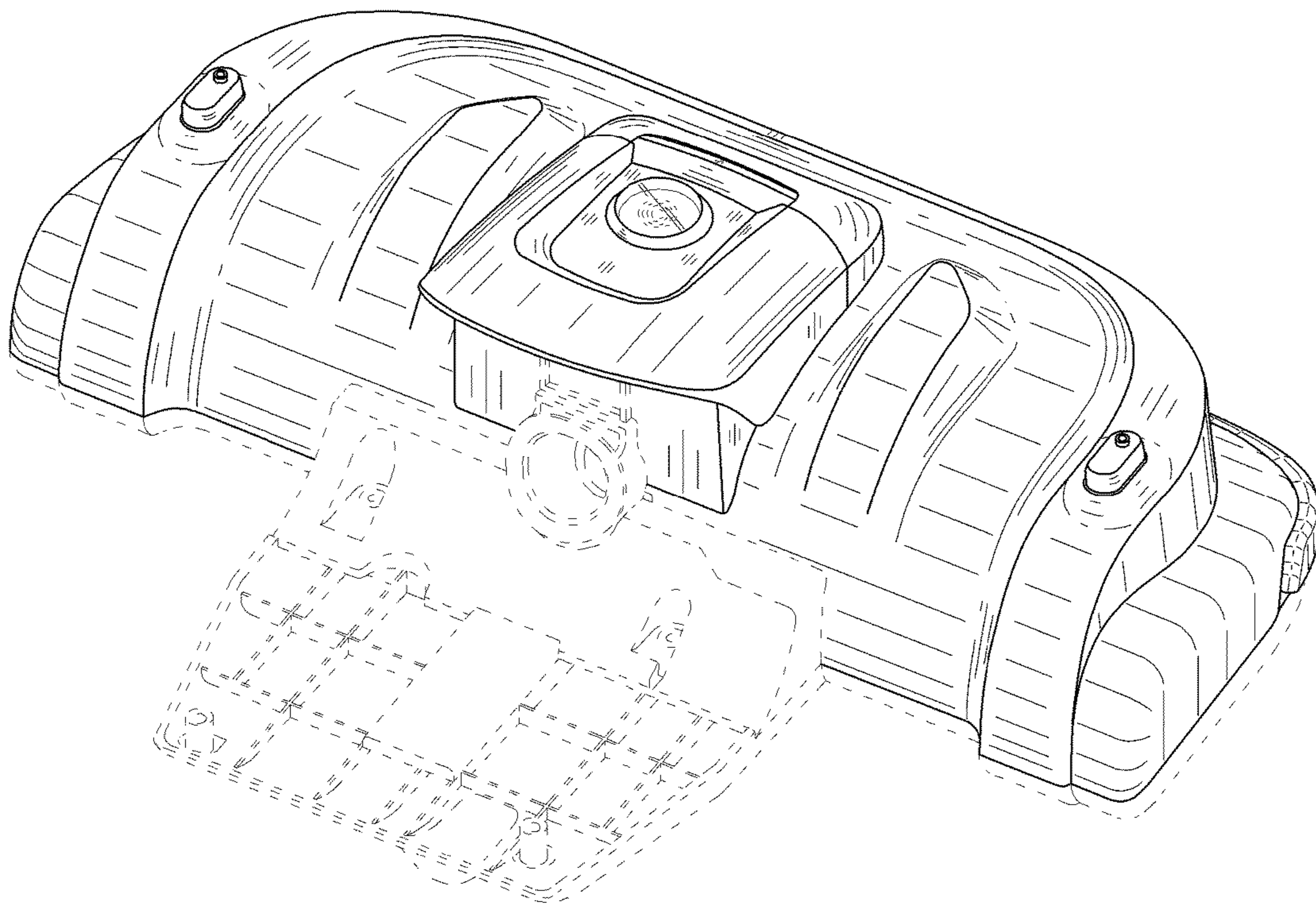


FIG. 9

