



US00D778016S

(12) **United States Design Patent** (10) **Patent No.:** **US D778,016 S**
Miller et al. (45) **Date of Patent:** **** Jan. 31, 2017**

- (54) **VACUUM CLEANER TANK**
- (71) Applicant: **BISSELL Homecare, Inc.**, Grand Rapids, MI (US)
- (72) Inventors: **David M. Miller**, Zeeland, MI (US); **Colin J. Bloemendaal**, Grand Rapids, MI (US); **Mitchell DeJonge**, Fruitport, MI (US)
- (73) Assignee: **BISSELL Homecare, Inc.**, Grand Rapids, MI (US)
- (**) Term: **14 Years**
- (21) Appl. No.: **29/525,983**
- (22) Filed: **May 5, 2015**
- (51) **LOC (10) Cl.** **15-05**
- (52) **U.S. Cl.**
USPC **D32/31**
- (58) **Field of Classification Search**
USPC D32/21–22, 31, 34, 25
CPC A47L 11/34; A47L 11/29; A47L 11/30;
A47L 7/0019; A47L 7/0004; A47L 7/0023; A47L 9/00; A47L 9/1409; A47L 5/36–5/367; A47L 5/28; A47L 5/38
See application file for complete search history.

D662,271 S *	6/2012	Conrad	D32/31
D685,961 S *	7/2013	Bilger	D32/31
D686,377 S *	7/2013	Thorne	D32/31
D686,790 S *	7/2013	Santiago	D32/31
D687,196 S *	7/2013	Raven	D32/31
D693,975 S *	11/2013	Santiago	D32/31
D693,976 S *	11/2013	Wu	D32/31
D722,410 S *	2/2015	Raven	D32/31
D728,878 S *	5/2015	Johnson	D32/31
D730,001 S *	5/2015	Yun	D32/22
D739,104 S *	9/2015	Johnson	D32/31
D740,505 S *	10/2015	Gidwell	D32/31
D751,261 S *	3/2016	Thorne	D32/22
D759,919 S *	6/2016	Smith	D32/31
2004/0206238 A1 *	10/2004	Allgeier	A47L 5/28 95/273
2015/0143659 A1 *	5/2015	Pilch	A47L 9/1691 15/347

* cited by examiner

Primary Examiner — Ruth McInroy

(74) *Attorney, Agent, or Firm* — McGarry Bair PC

(57) **CLAIM**

The ornamental design for a vacuum cleaner tank, as shown and described.

DESCRIPTION

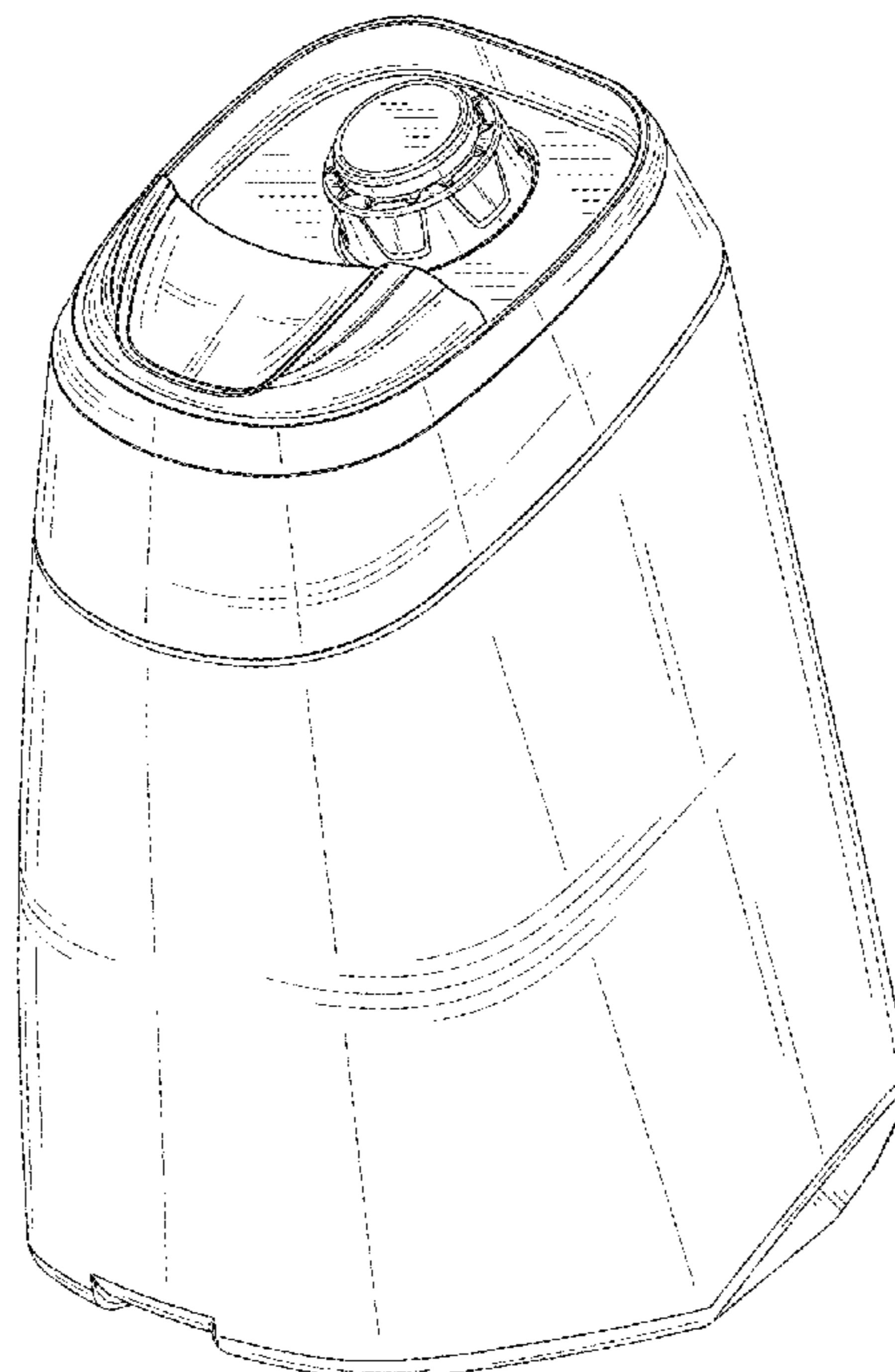
FIG. 1 is a front and right-side perspective view of a vacuum cleaner tank showing our new design;
 FIG. 2 is a front view thereof;
 FIG. 3 is a rear view thereof;
 FIG. 4 is a left side view thereof, with the right side view being a mirror image of the left side view;
 FIG. 5 is a top view thereof; and,
 FIG. 6 is a bottom view thereof.

1 Claim, 5 Drawing Sheets

(56) **References Cited**

U.S. PATENT DOCUMENTS

D433,201 S *	10/2000	Wright	D32/31
D488,896 S *	4/2004	Leyden	D32/31
D522,701 S *	6/2006	Scheifele	D32/31
D558,413 S *	12/2007	Carr	D32/31



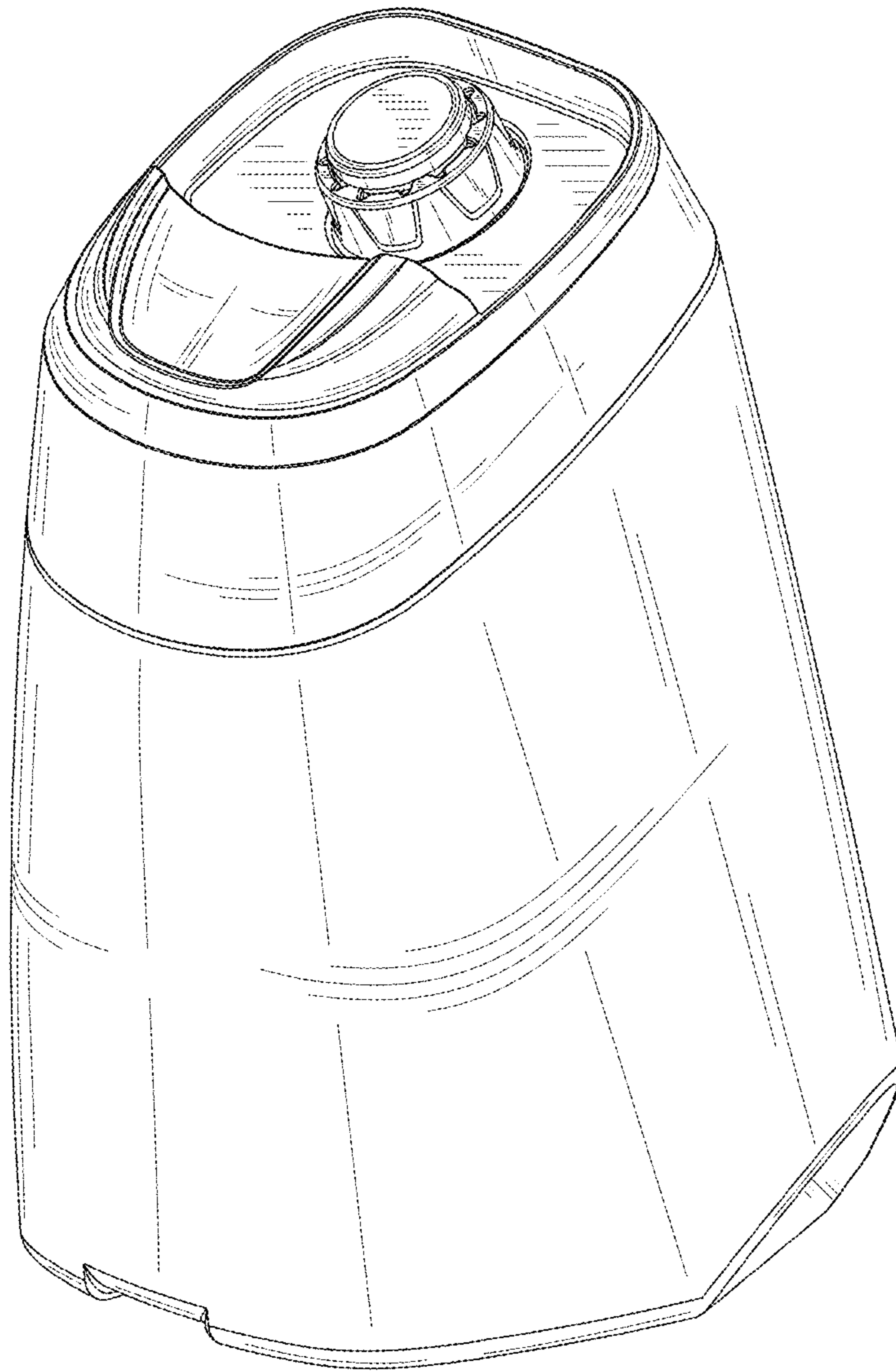


FIG. 1

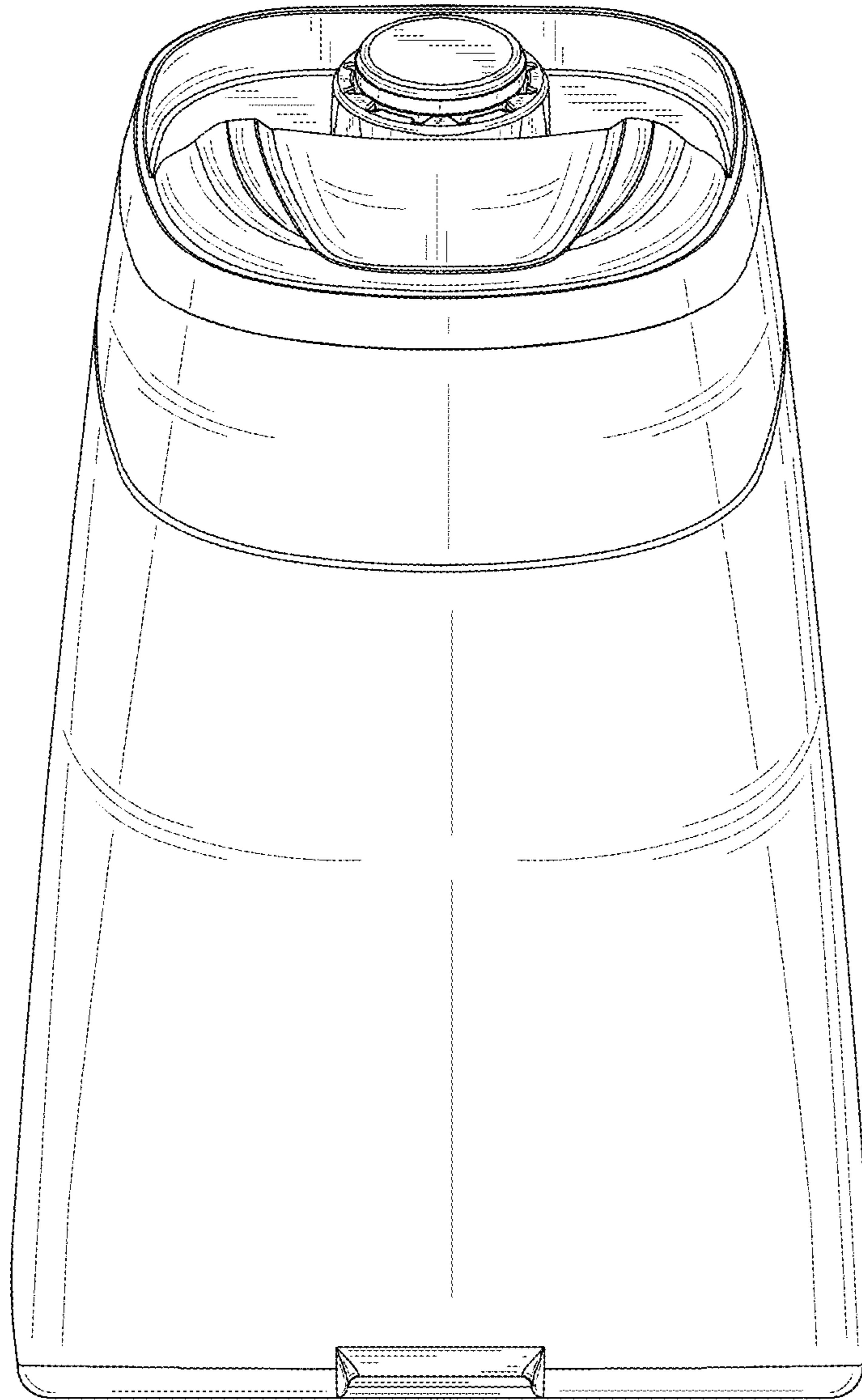


FIG. 2

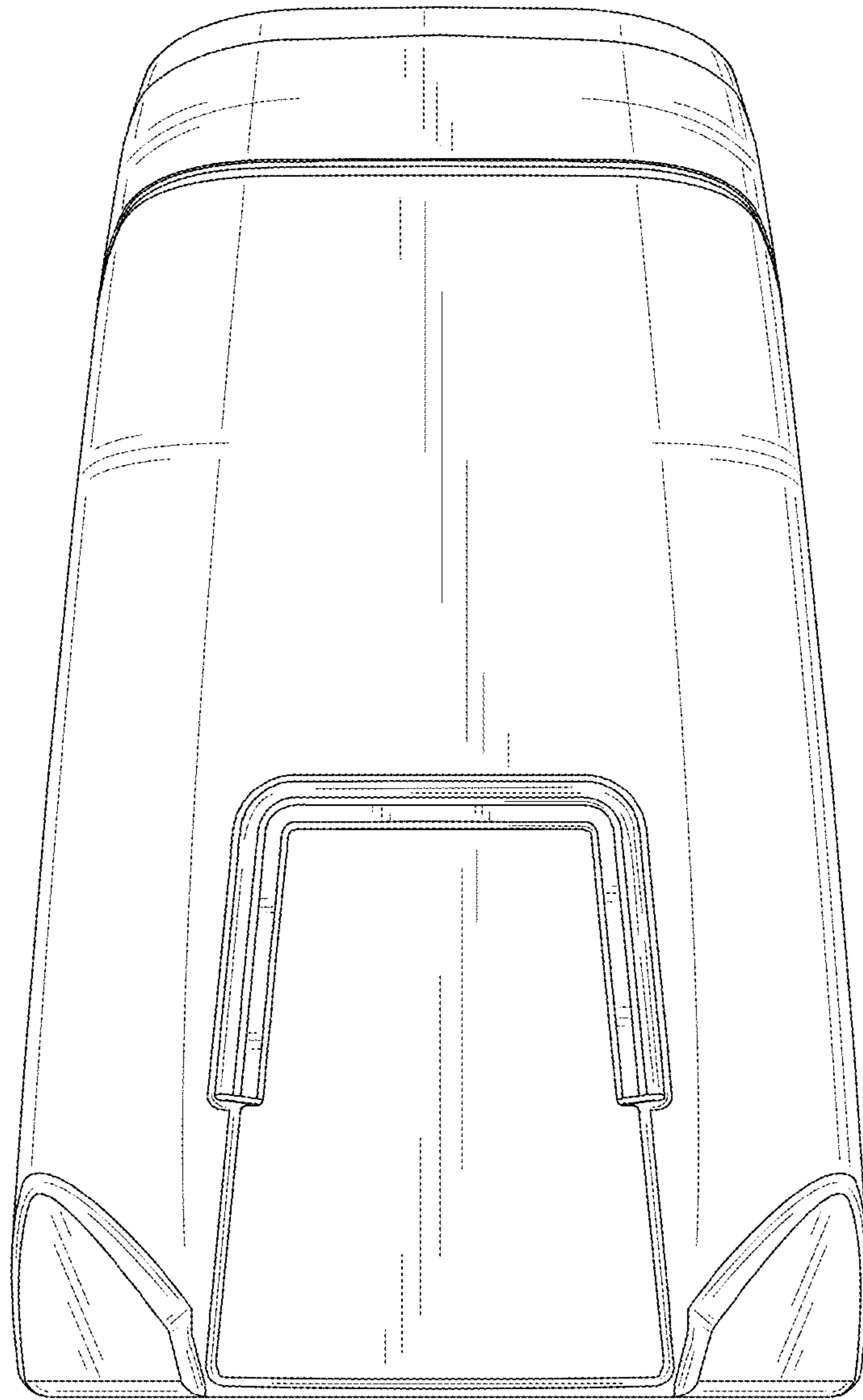


FIG. 3

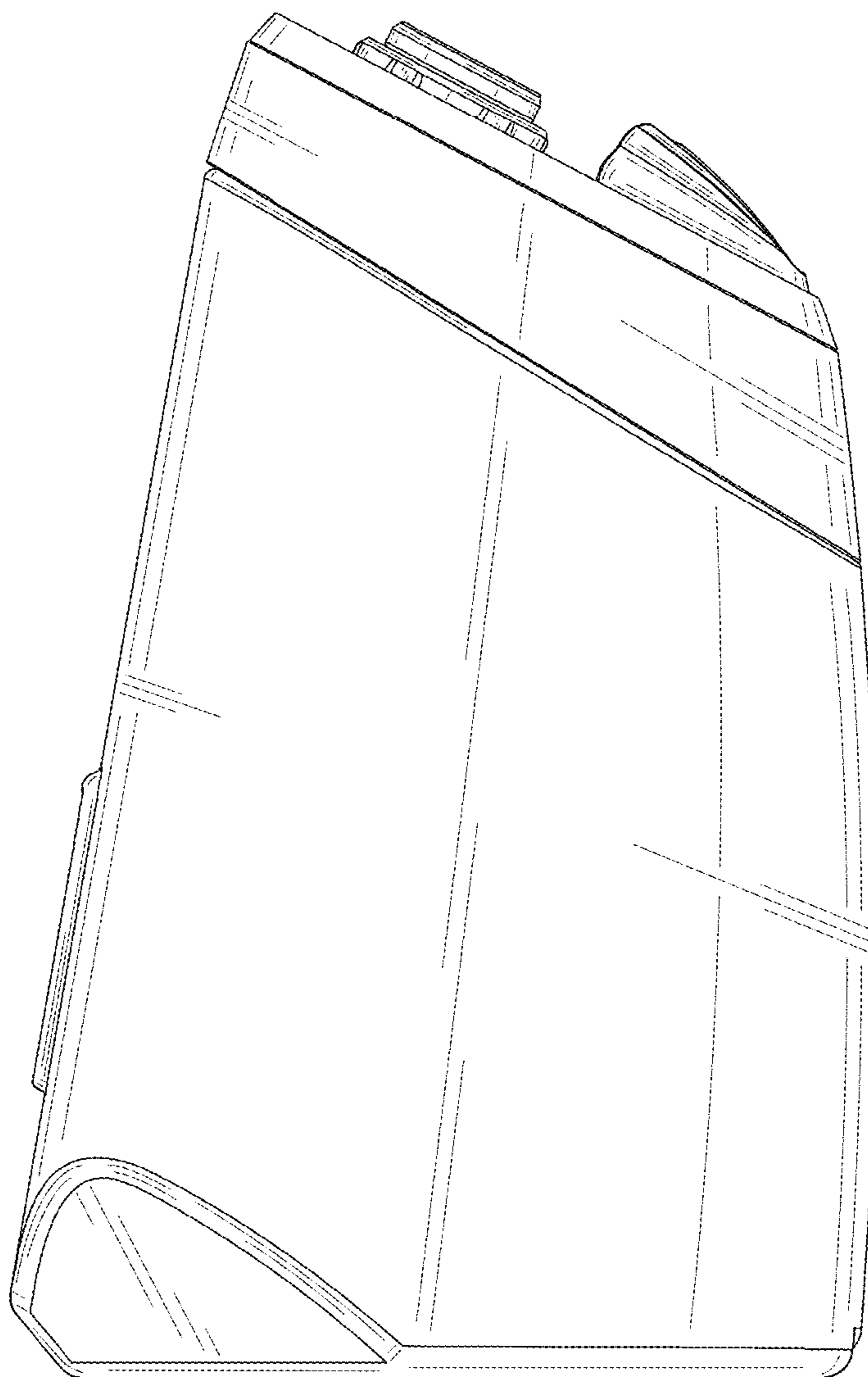


FIG. 4

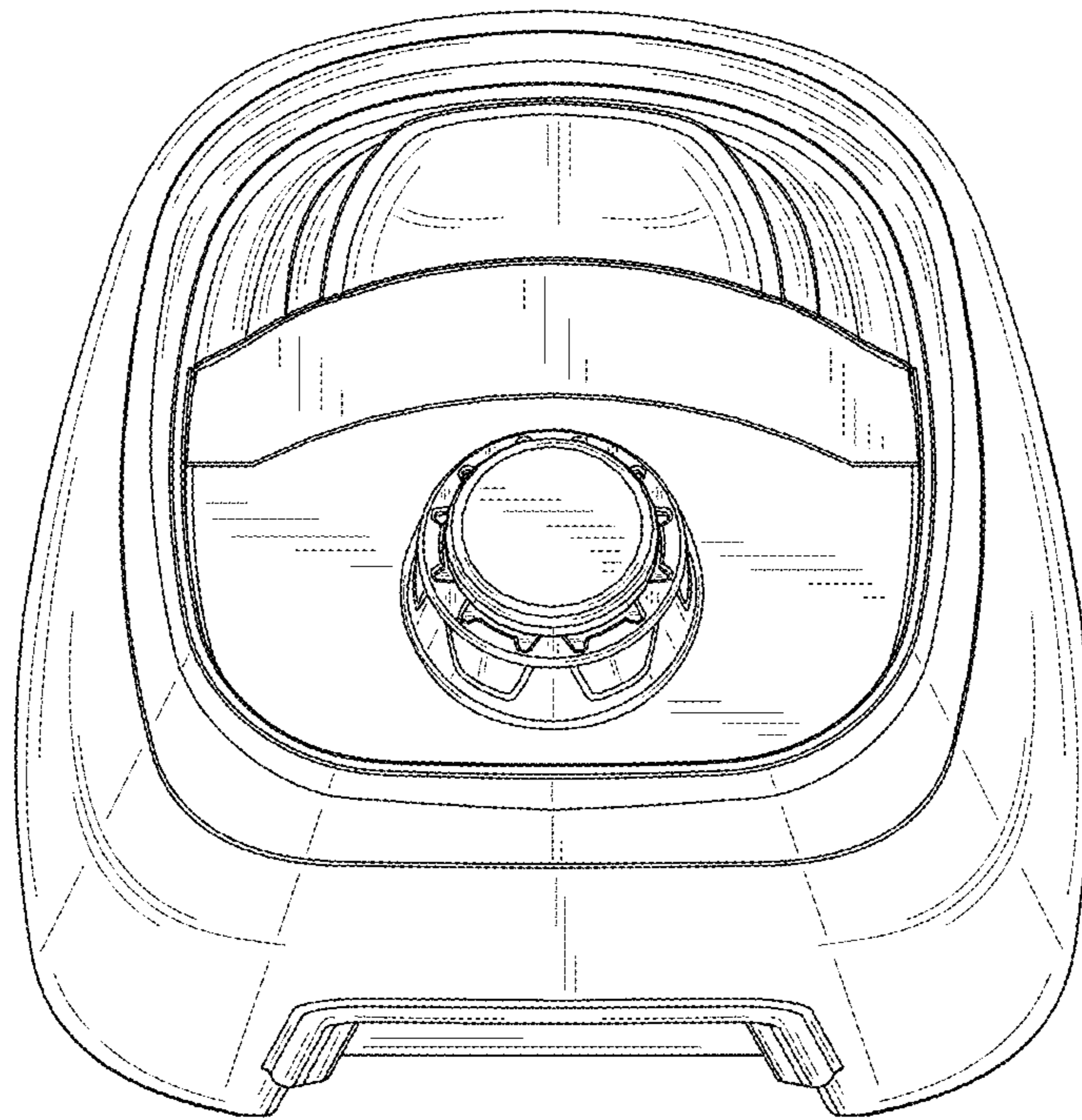


FIG. 5

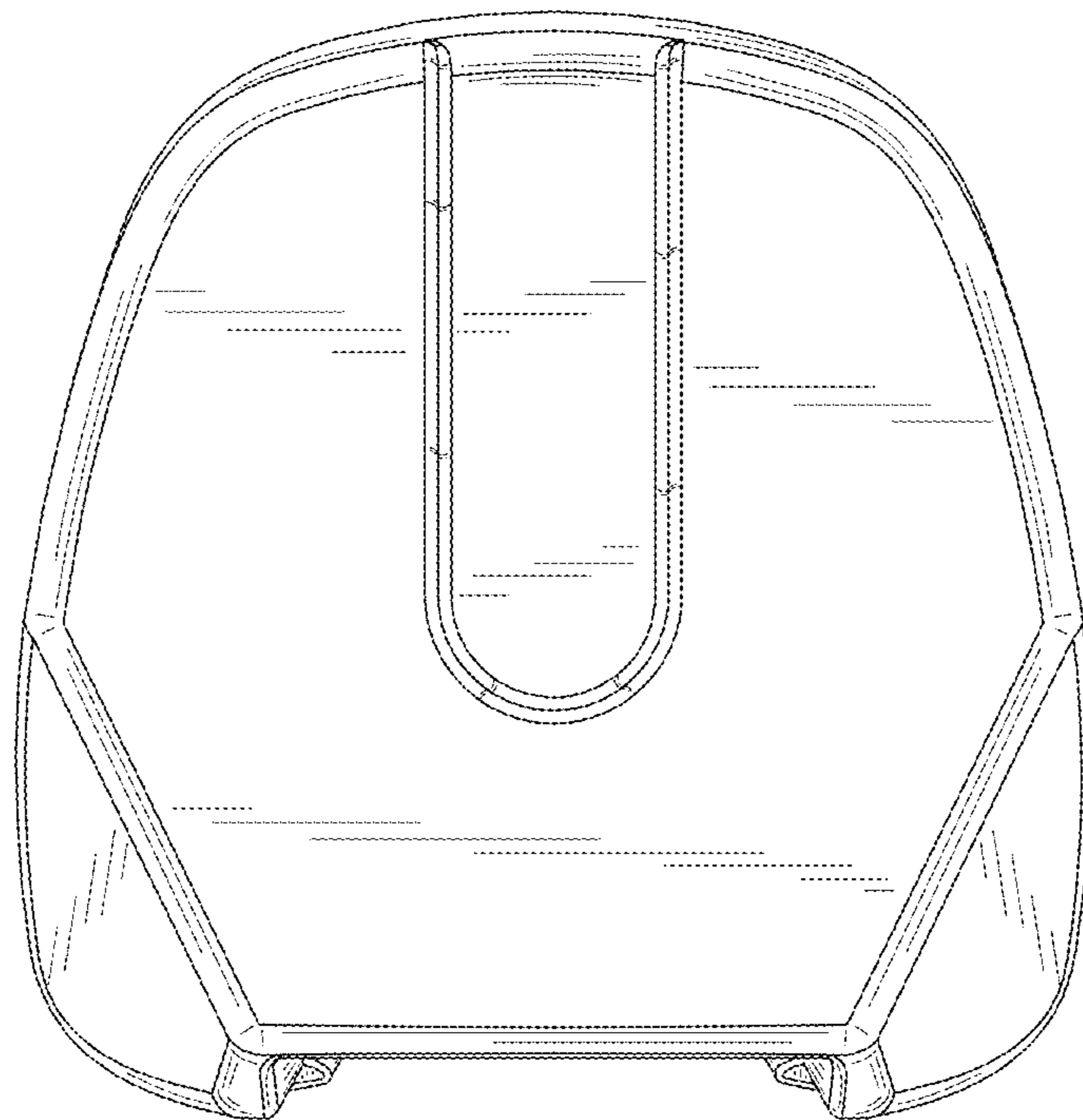


FIG. 6