



US00D778015S

(12) **United States Design Patent**
Miller et al.

(10) **Patent No.:** **US D778,015 S**
(45) **Date of Patent:** **** Jan. 31, 2017**

(54) **VACUUM CLEANER UPRIGHT PORTION**

(71) Applicant: **BISSELL Homecare, Inc.**, Grand Rapids, MI (US)

(72) Inventors: **David M. Miller**, Zeeland, MI (US);
Colin J. Bloemendaal, Grand Rapids, MI (US); **Mitchell DeJonge**, Fruitport, MI (US)

(73) Assignee: **BISSELL Homecare, Inc.**, Grand Rapids, MI (US)

(**) Term: **14 Years**

(21) Appl. No.: **29/525,978**

(22) Filed: **May 5, 2015**

(51) **LOC (10) Cl.** **15-05**

(52) **U.S. Cl.**
USPC **D32/31**

(58) **Field of Classification Search**
USPC D32/21–22, 31, 34, 25
CPC A47L 11/34; A47L 11/29; A47L 11/30;
A47L 7/0019; A47L 7/0004; A47L
7/0023; A47L 9/00; A47L 9/1409; A47L
5/36–5/367; A47L 5/28; A47L 5/38
See application file for complete search history.

(56) **References Cited**

U.S. PATENT DOCUMENTS

D433,201 S	*	10/2000	Wright	D32/31
D488,896 S	*	4/2004	Leyden	D32/31
D522,701 S	*	6/2006	Scheifele	D32/31
D558,413 S	*	12/2007	Carr	D32/31

D662,271 S	*	6/2012	Conrad	D32/31
D685,961 S	*	7/2013	Bilger	D32/31
D686,377 S	*	7/2013	Thorne	D32/31
D686,790 S	*	7/2013	Santiago	D32/31
D687,196 S	*	7/2013	Raven	D32/31
D693,975 S	*	11/2013	Santiago	D32/31
D693,976 S	*	11/2013	Wu	D32/31
D722,410 S	*	2/2015	Raven	D32/31
D728,878 S	*	5/2015	Johnson	D32/31
D730,001 S	*	5/2015	Yun	D32/22
D739,104 S	*	9/2015	Johnson	D32/31
D740,505 S	*	10/2015	Gidwell	D32/31
D751,261 S	*	3/2016	Thorne	D32/22
D759,919 S	*	6/2016	Smith	D32/31
2004/0206238	A1*	10/2004	Allgeier	A47L 5/28 95/273
2015/0143659	A1*	5/2015	Pilch	A47L 9/1691 15/347

* cited by examiner

Primary Examiner — Ruth McInroy

(74) *Attorney, Agent, or Firm* — McGarry Bair PC

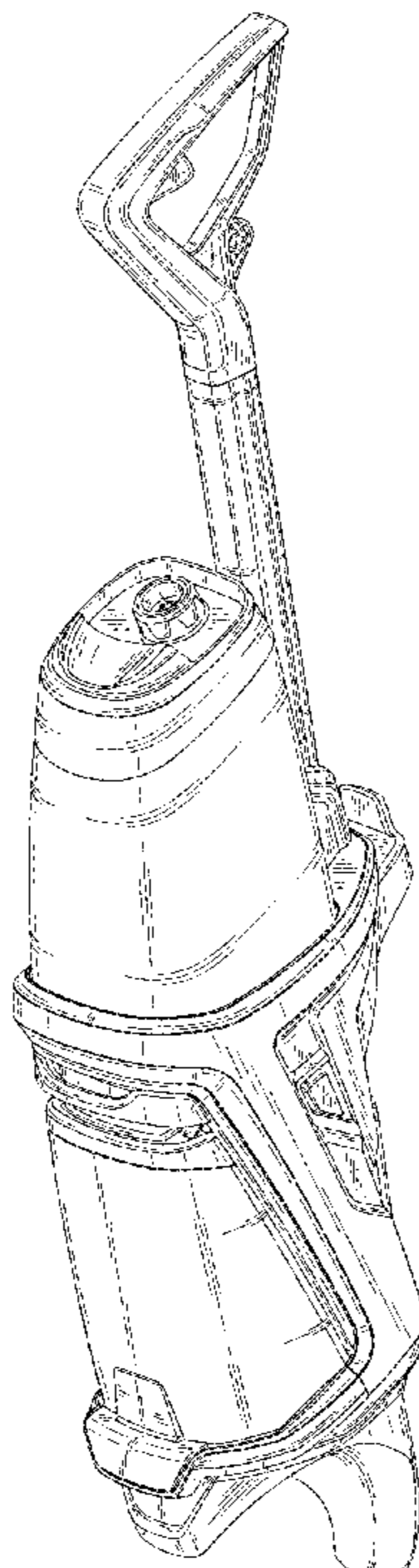
(57) **CLAIM**

The ornamental design for a vacuum cleaner upright portion, as shown and described.

DESCRIPTION

FIG. 1 is a front and right-side perspective view of a vacuum cleaner upright portion showing our new design;
FIG. 2 is a front view thereof;
FIG. 3 is a rear view thereof;
FIG. 4 is a left side view thereof;
FIG. 5 is a right side view thereof; and,
FIG. 6 is a top view thereof.

1 Claim, 4 Drawing Sheets



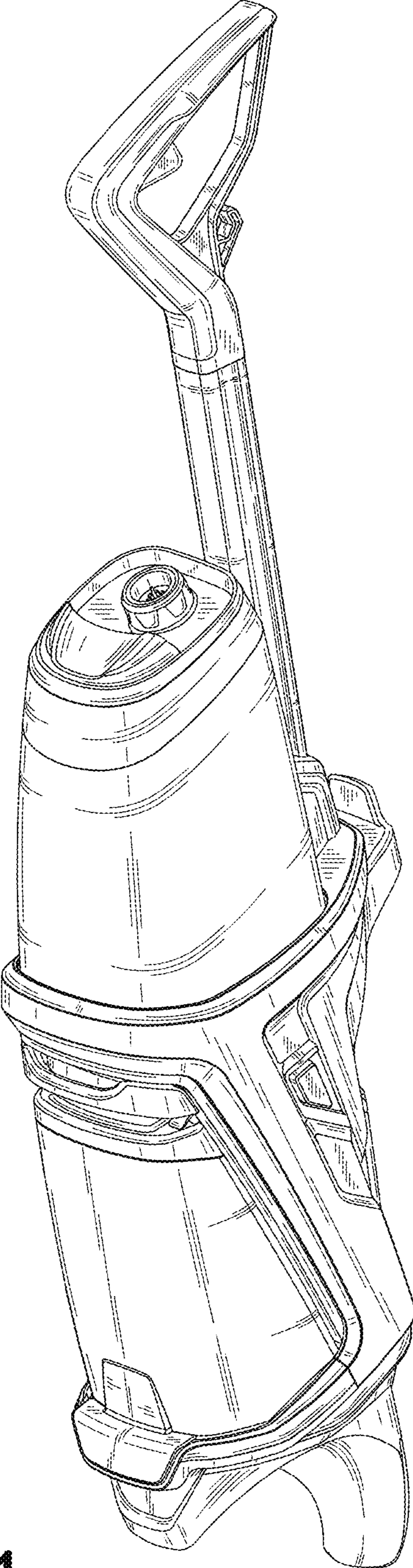


FIG. 1

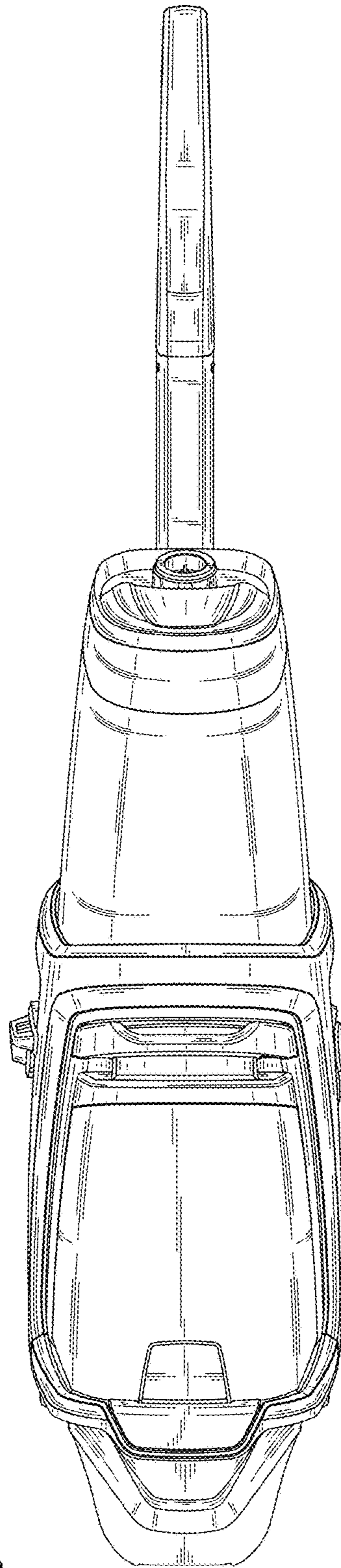


FIG. 2

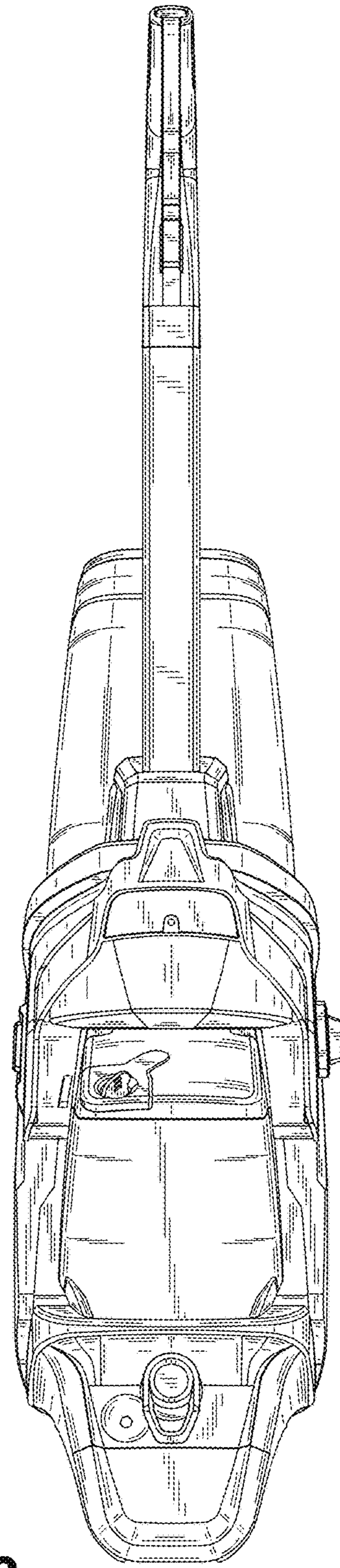


FIG. 3

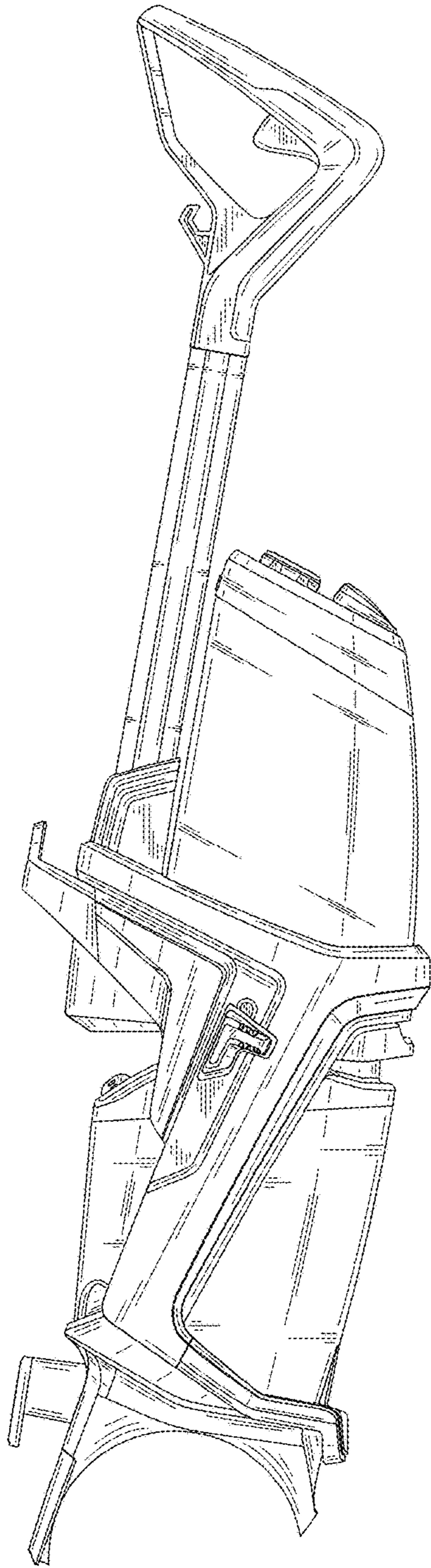


FIG. 4

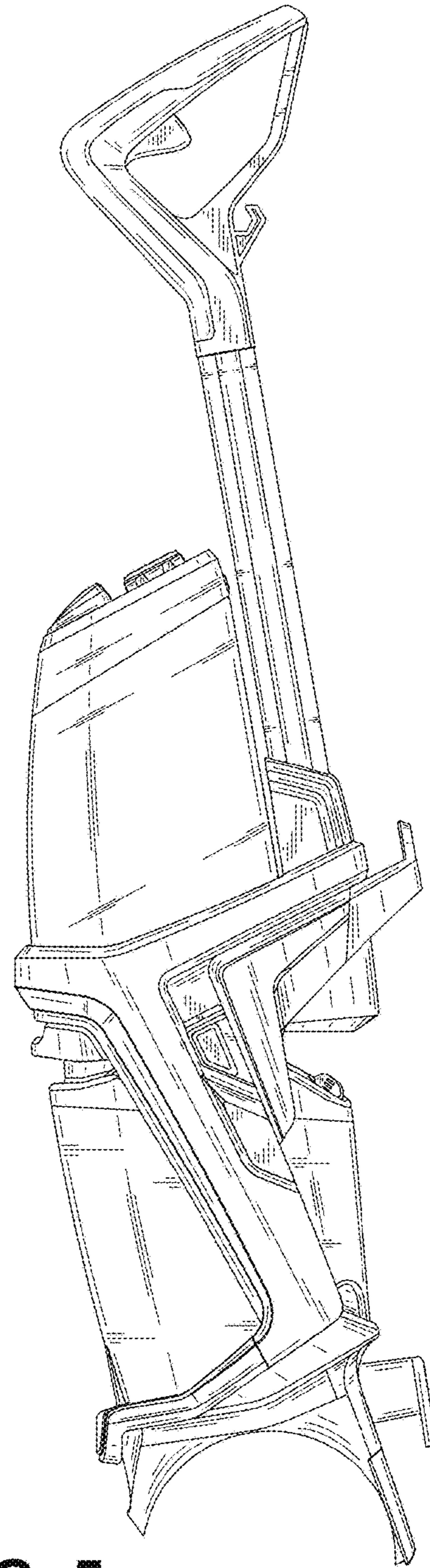


FIG. 5

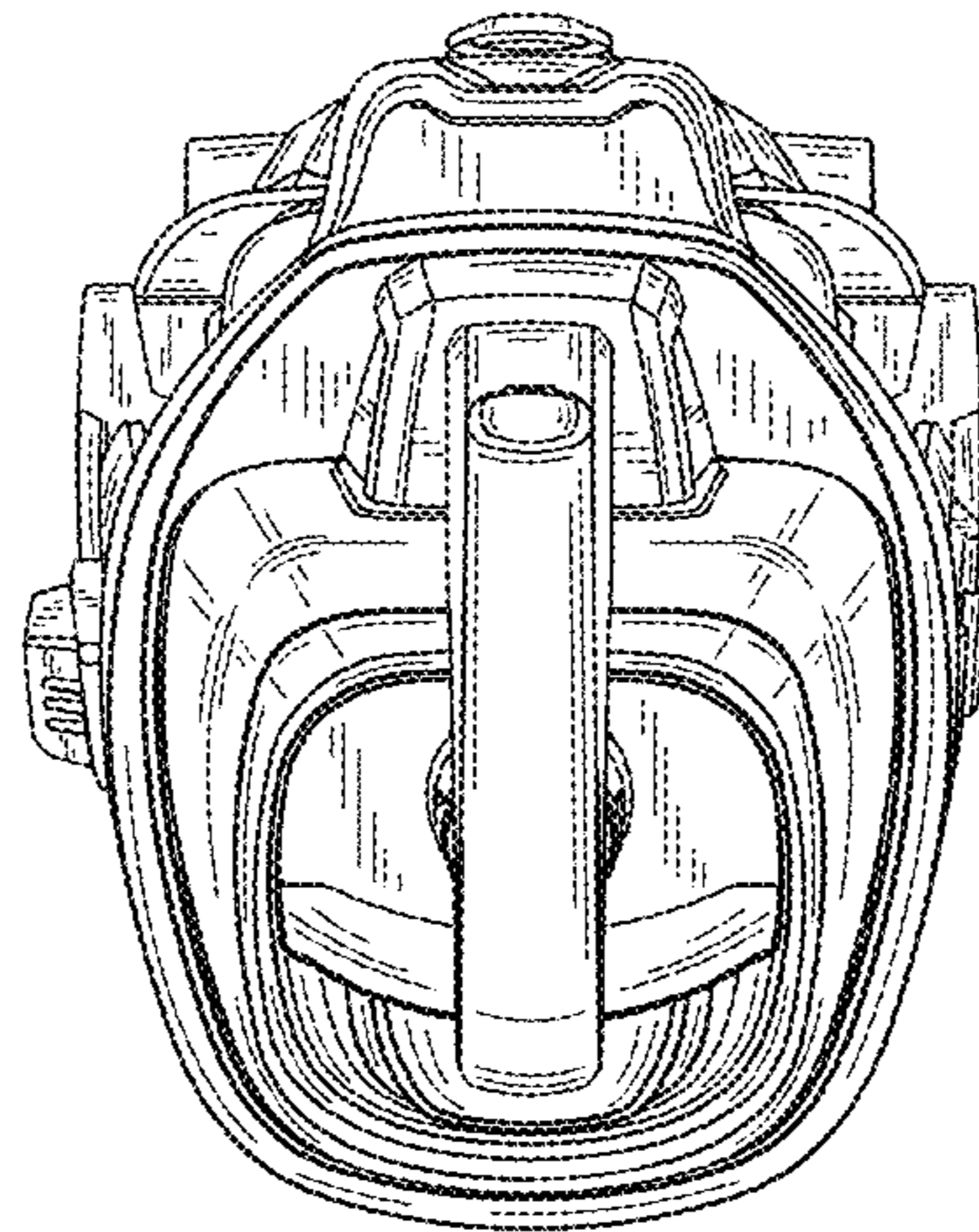


FIG. 6