



US00D778014S

(12) **United States Design Patent**
Hwang et al.

(10) **Patent No.:** **US D778,014 S**
(45) **Date of Patent:** **** Jan. 31, 2017**

- (54) **WASHING MACHINE**
- (71) Applicant: **Samsung Electronics Co., Ltd.**,
Suwon-si, Gyeonggi-do (KR)
- (72) Inventors: **Jung-Hoon Hwang**, Yongin-si (KR);
Ki-Sang Yoon, Daejeon (KR); **Gi-Sung Han**, Ansan-si (KR)
- (73) Assignee: **SAMSUNG ELECTRONICS CO., LTD.**,
Gyeonggi-Do (KR)
- (**) Term: **14 Years**

D459,844 S *	7/2002	Baldwin	D32/6
D477,898 S *	7/2003	Geyer	D32/6
D517,257 S *	3/2006	Kim	D32/6
D517,258 S *	3/2006	Ha	D32/6
D517,259 S *	3/2006	Ha	D32/6
D518,251 S *	3/2006	Kwon	D32/6
D529,242 S *	9/2006	Ha	D32/6
D549,898 S *	8/2007	Suh	D32/6
D549,899 S *	8/2007	Suh	D32/6
D648,907 S *	11/2011	Jeon	D32/6
D729,996 S *	5/2015	Hwang	D32/6
D732,763 S *	6/2015	Hwang	D32/6
D747,966 S *	1/2016	McClaghry	D9/456
D753,353 S *	4/2016	Kim	D32/6
D759,918 S *	6/2016	Choi	D32/28

* cited by examiner

- (21) Appl. No.: **29/494,760**
- (22) Filed: **Jun. 24, 2014**
- (30) **Foreign Application Priority Data**

Primary Examiner — Michael A. Pratt
Assistant Examiner — Michelle E Wilson
 (74) *Attorney, Agent, or Firm* — Cantor Colburn LLP

- Dec. 27, 2013 (KR) 30-2013-0065760
- (51) **LOC (10) Cl.** **15-05**
- (52) **U.S. Cl.**
USPC **D32/28**
- (58) **Field of Classification Search**
USPC .. D32/1, 5, 6, 8, 11, 12, 25, 28, 29; D7/348
CPC D06F 33/02; D06F 39/02; D06F 2204/065;
D06F 25/00; D06F 35/006; D06F 58/00;
D06F 58/02; D06F 58/04; D06F
58/20; D06F 23/04; G05B 19/042
See application file for complete search history.

(57) **CLAIM**

The ornamental design for a washing machine, as shown and described.

DESCRIPTION

FIG. 1 is a perspective view of a washing machine, showing my new design;
 FIG. 2 is a front elevation view thereof;
 FIG. 3 is a rear elevation view thereof;
 FIG. 4 is a side elevation view thereof;
 FIG. 5 is a another side elevation view thereof;
 FIG. 6 is a top plan view thereof; and,
 FIG. 7 is a bottom plan view thereof.
 The broken lines are for environmental purpose only and form no part of the claimed design.

- (56) **References Cited**
U.S. PATENT DOCUMENTS
D450,164 S * 11/2001 Dyson D32/6
D457,992 S * 5/2002 Baldwin D32/6

1 Claim, 7 Drawing Sheets

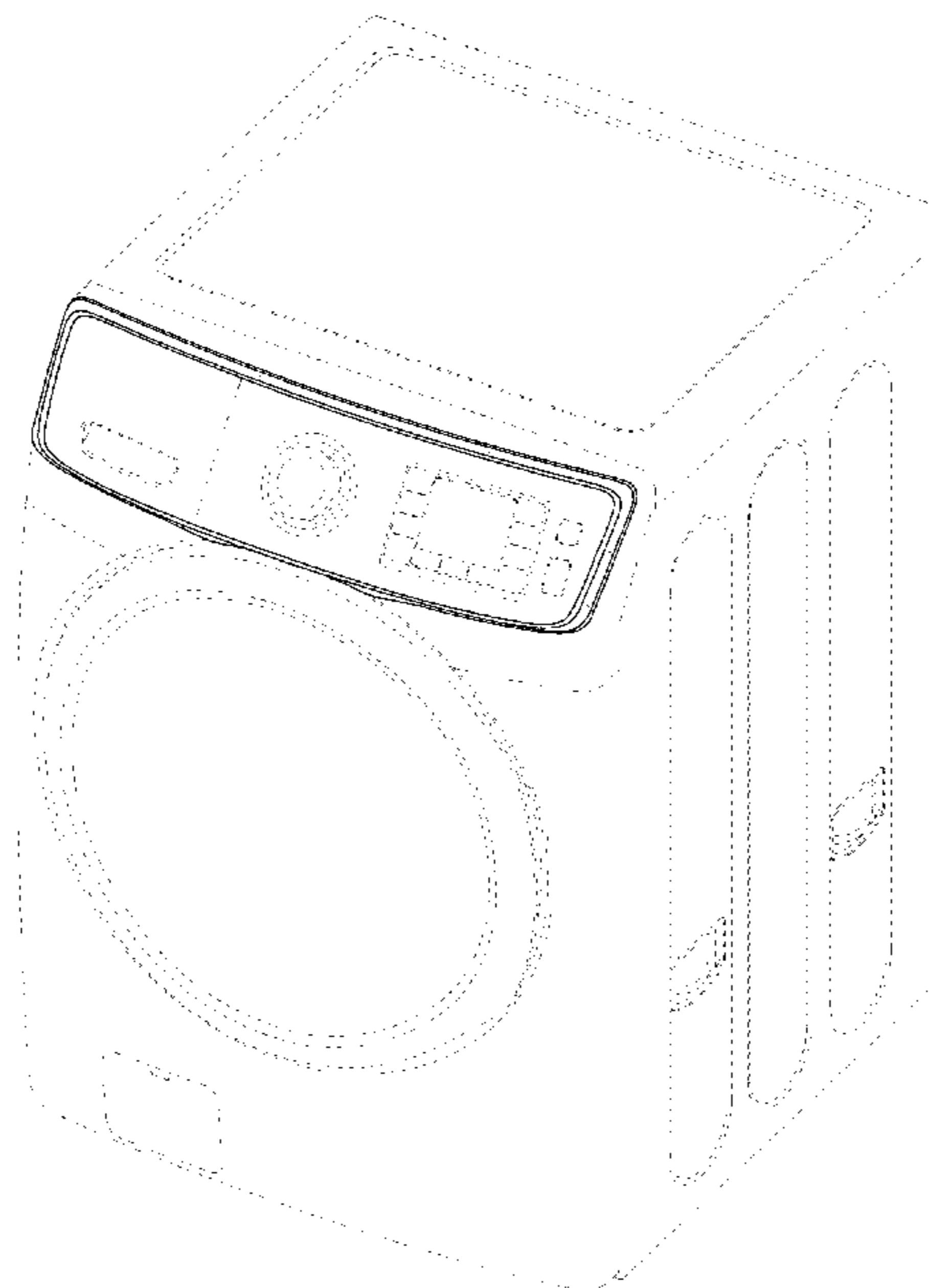


FIG. 1

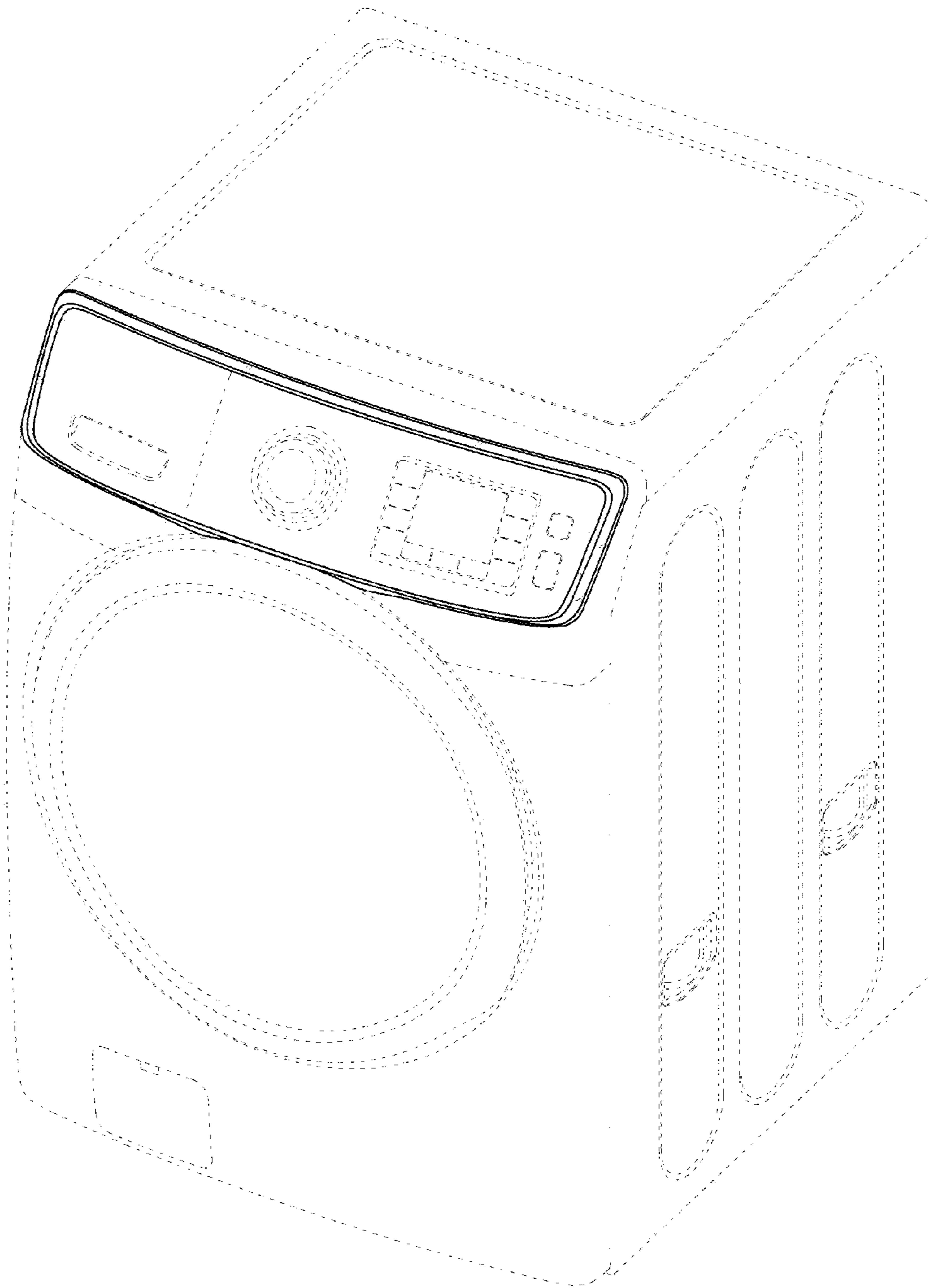


FIG. 2

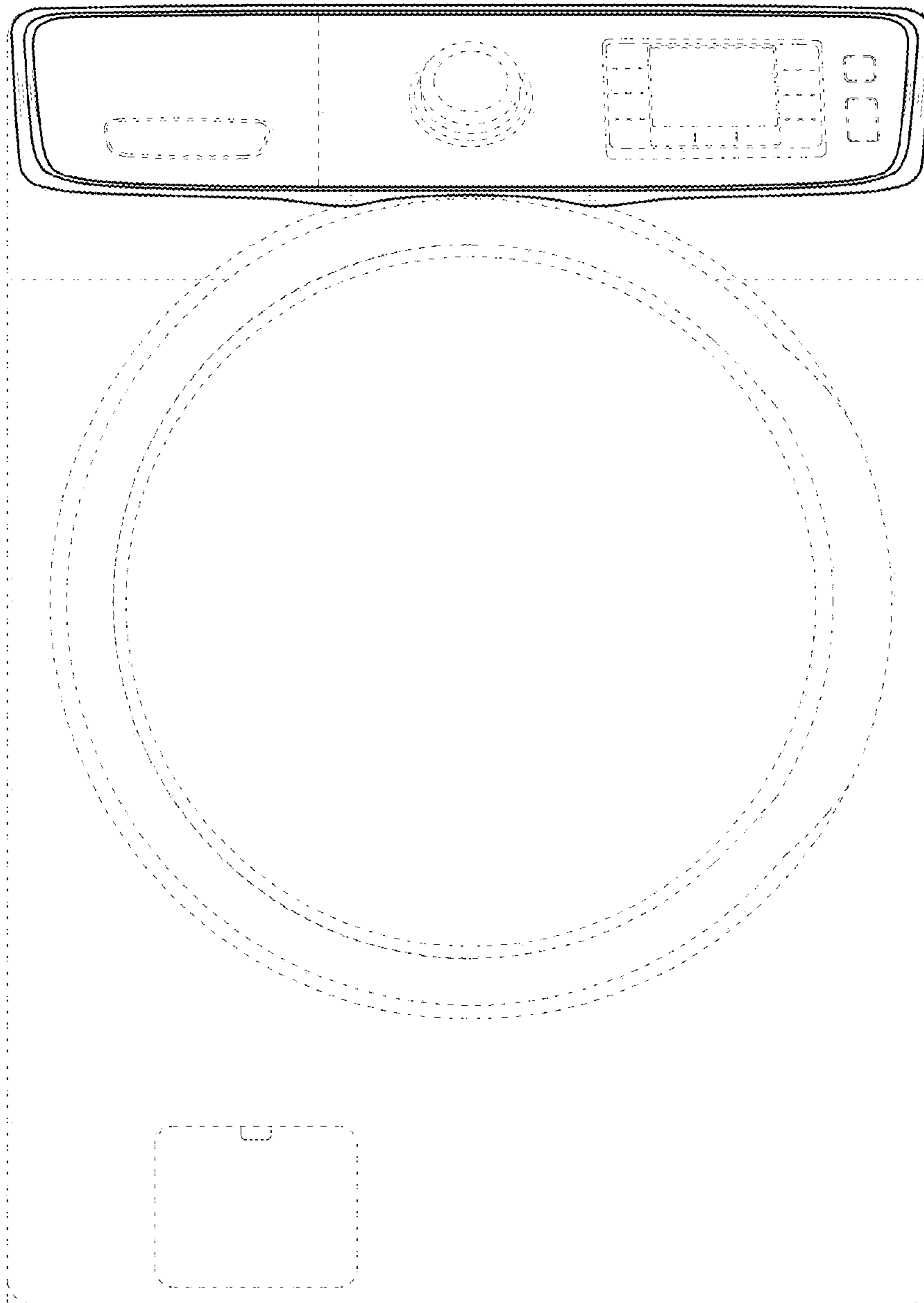


FIG. 3

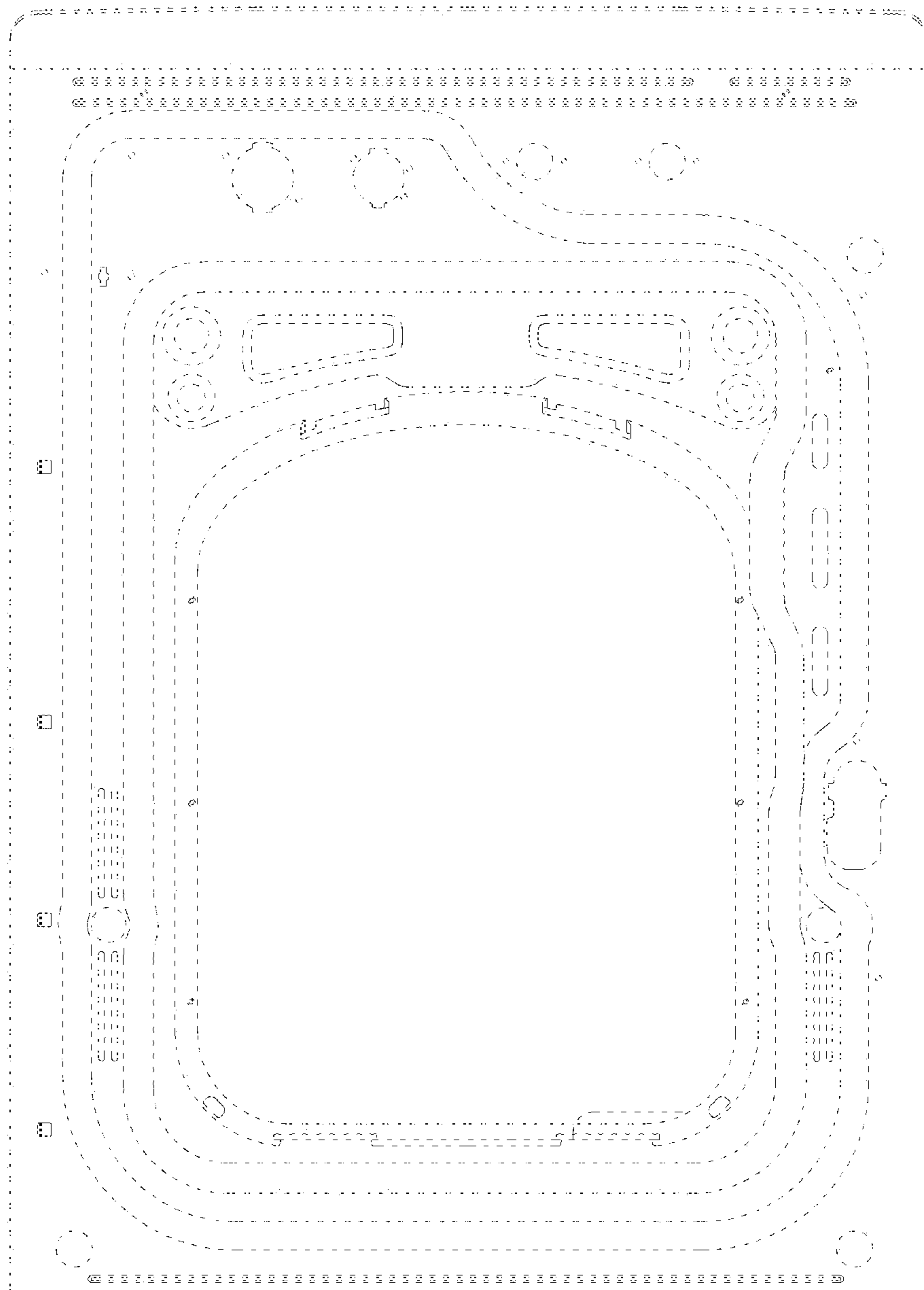


FIG. 4

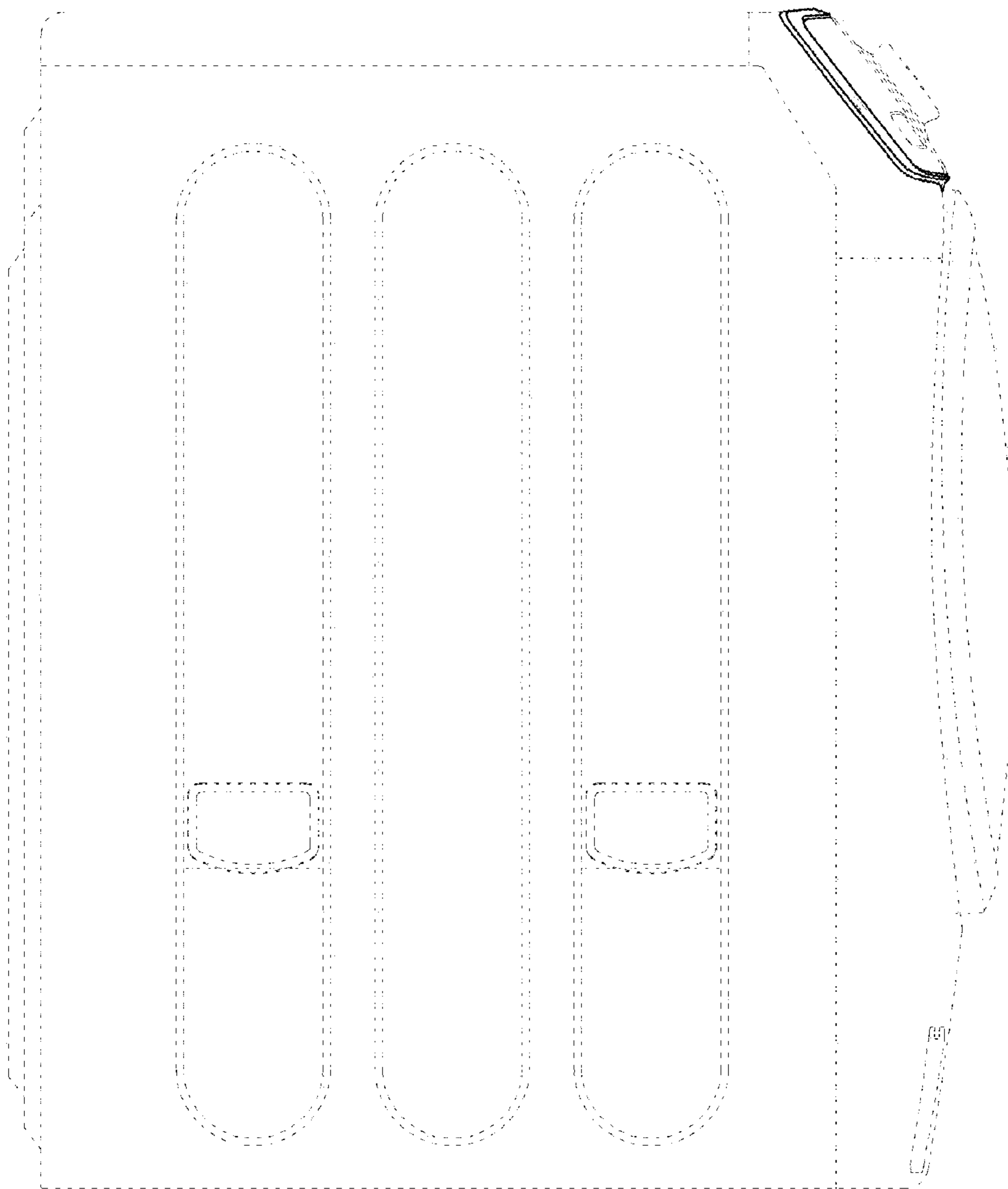


FIG. 5

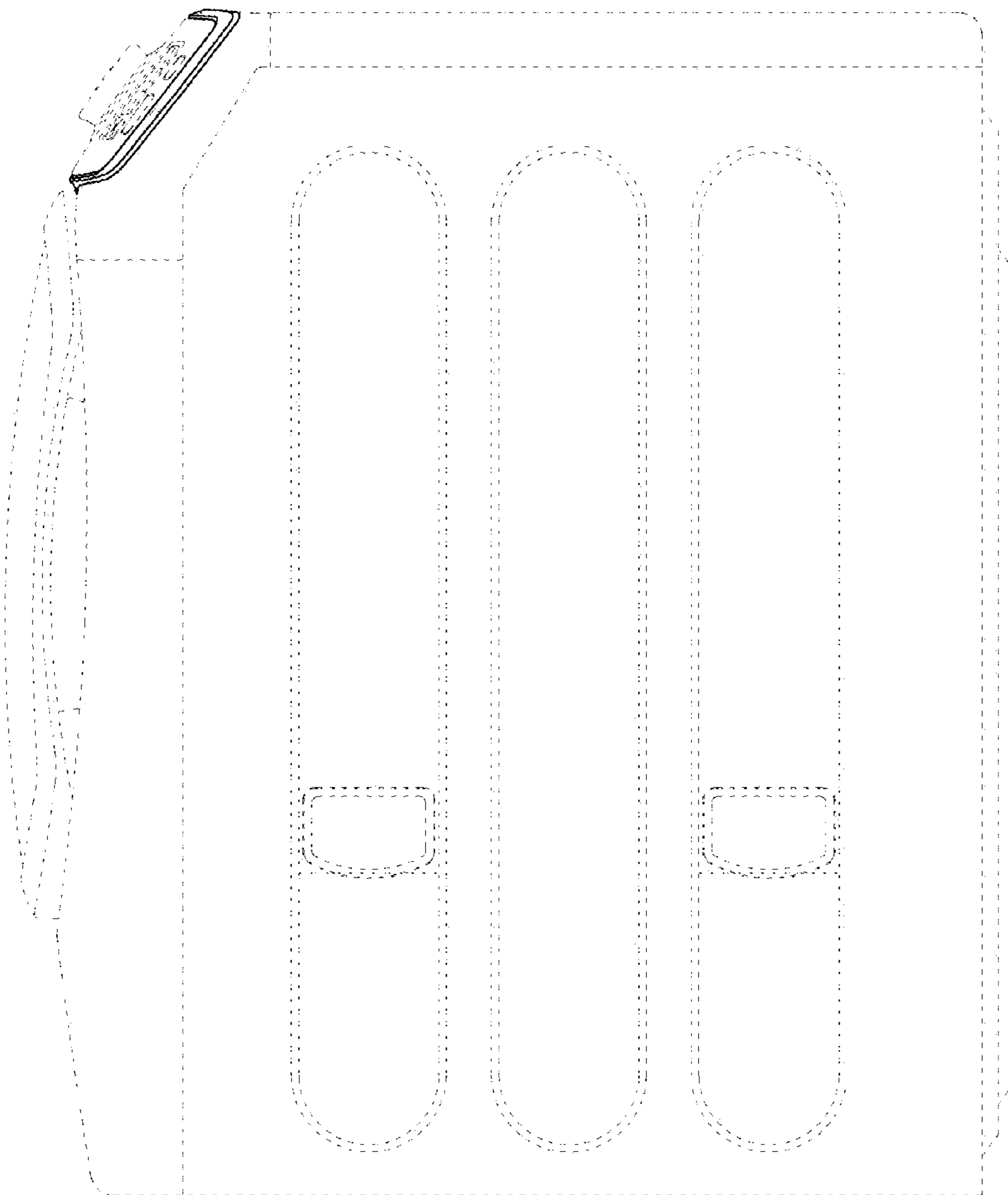


FIG. 6

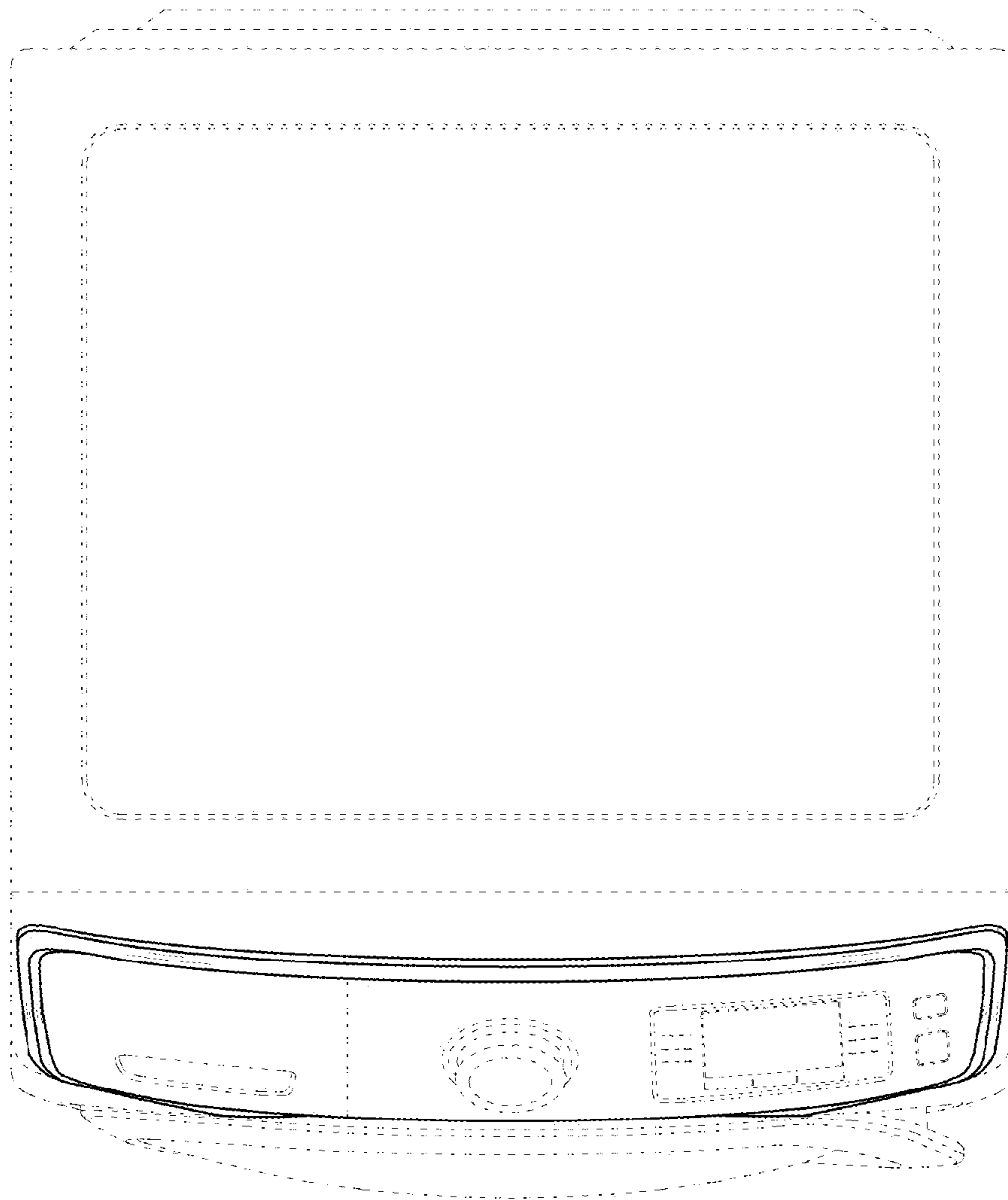


FIG. 7

