



US00D778011S

(12) **United States Design Patent** (10) **Patent No.:** **US D778,011 S**
Alexander et al. (45) **Date of Patent:** **** Jan. 31, 2017**

(54) **PRESSURE WASHER**

(71) Applicant: **FNA IP Holdings, Inc.**, Elk Grove Village, IL (US)

(72) Inventors: **Gus Alexander**, Inverness, IL (US); **Paulo Rogerio Funk Kolicheski**, Bentonville, AR (US); **Orval Scott Weeks**, Gentry, AR (US)

(73) Assignee: **FNA Group, Inc.**, Pleasant Prairie, WI (US)

(**) Term: **14 Years**

(21) Appl. No.: **29/520,552**

(22) Filed: **Mar. 16, 2015**

(51) **LOC (10) Cl.** **15-05**

(52) **U.S. Cl.**
USPC **D32/16**

(58) **Field of Classification Search**
USPC D32/15-17, 21-24
CPC B08B 3/026; B08B 3/028; B05B 1/12;
B05B 9/0855; B05B 1/00; B05B 1/1654;
B05B 9/007; B05B 9/0426; F04B 17/05;
F04B 49/24

See application file for complete search history.

(56) **References Cited**

U.S. PATENT DOCUMENTS

D338,292	S	*	8/1993	Schmitz	D32/21
D660,525	S	*	5/2012	Alexander	D32/15
D661,438	S	*	6/2012	Alexander	D32/15
D675,794	S	*	2/2013	Chen	D32/15
D711,603	S	*	8/2014	Alexander	D32/16
D728,872	S	*	5/2015	Alexander	D32/15
D739,100	S	*	9/2015	Tatic	D32/15
D742,080	S	*	10/2015	Rigon	D32/15

D749,805	S	*	2/2016	Janik	D32/16
2002/0122730	A1	*	9/2002	Dexter	B08B 3/026 417/299
2005/0155972	A1	*	7/2005	Ray	B05B 1/12 220/694
2006/0038034	A1	*	2/2006	Hillary	B05B 9/0855 239/146
2006/0102745	A1	*	5/2006	Dexter	B05B 9/0855 239/146
2006/0196967	A1	*	9/2006	Monty	B05B 1/00 239/73
2008/0245425	A1	*	10/2008	Alexander	B08B 3/026 137/565.13
2008/0245899	A1	*	10/2008	Parris	F04B 17/05 239/526
2009/0269218	A1	*	10/2009	Gardner	B08B 3/026 417/234

(Continued)

Primary Examiner — Michael A. Pratt

Assistant Examiner — Michelle E Wilson

(74) *Attorney, Agent, or Firm* — Steven E. Jedlinski;
Jeffrey T. Placker; Holland & Knight LLP

(57) **CLAIM**

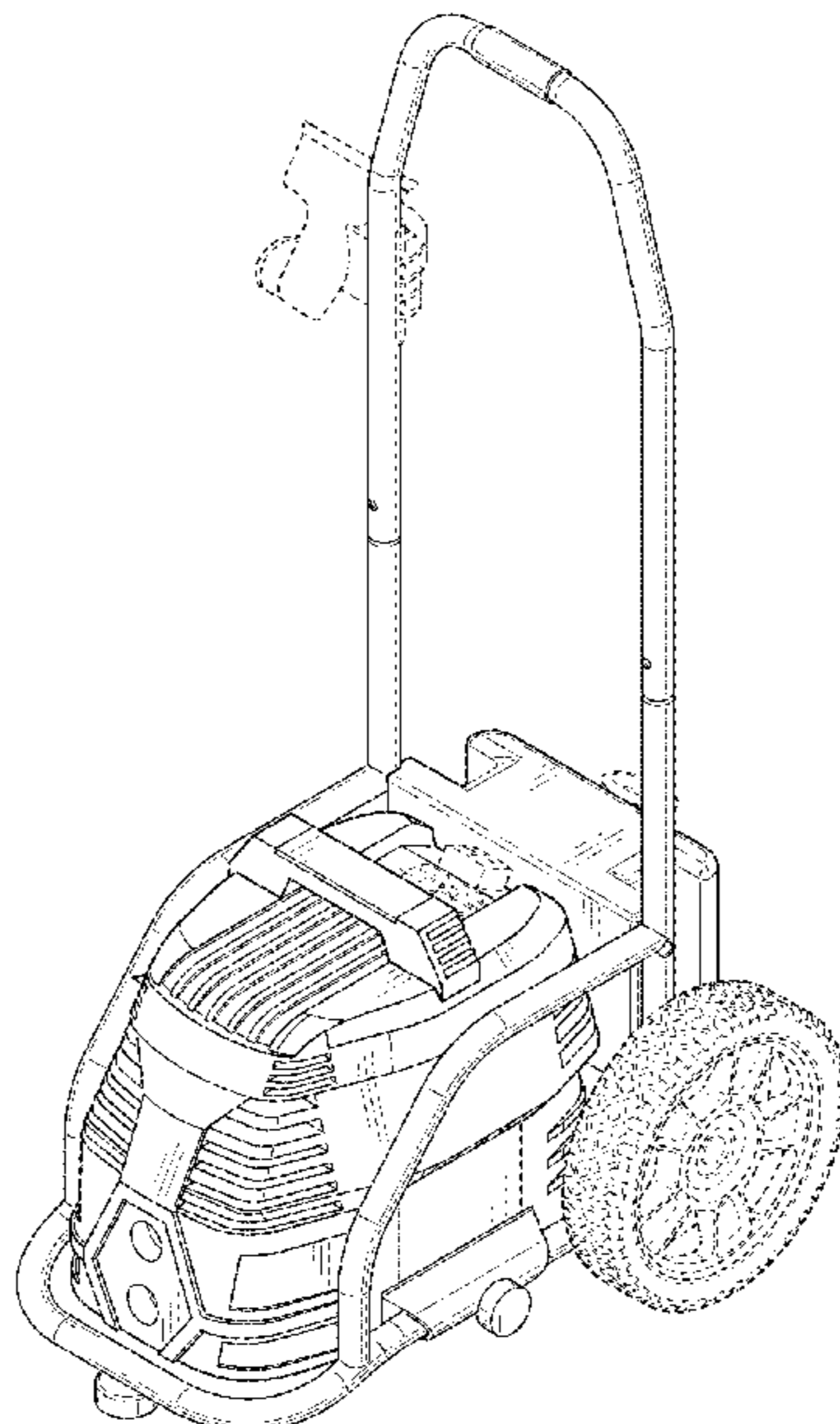
The ornamental design for a pressure washer, as shown and described.

DESCRIPTION

FIG. 1 is a front perspective view of a pressure washer; FIG. 2 is a right elevation view thereof; FIG. 3 is a left elevation view thereof; FIG. 4 is a front elevation view thereof; FIG. 5 is a rear elevation view thereof; FIG. 6 is a top plan view thereof; and, FIG. 7 is a bottom plan view thereof.

The broken lines are included for the purpose of illustrating portions of the pressure washer that form no part of the claimed design.

1 Claim, 6 Drawing Sheets



(56)

References Cited

U.S. PATENT DOCUMENTS

2010/0206964 A1* 8/2010 Li F04B 49/24
239/398
2014/0263754 A1* 9/2014 Nushart B05B 1/1654
239/442
2015/0174598 A1* 6/2015 Eschrich B08B 3/028
239/526
2015/0306614 A1* 10/2015 Pierce B05B 9/007
137/12
2016/0067726 A1* 3/2016 Gilpatrick B05B 9/0426
239/526

* cited by examiner

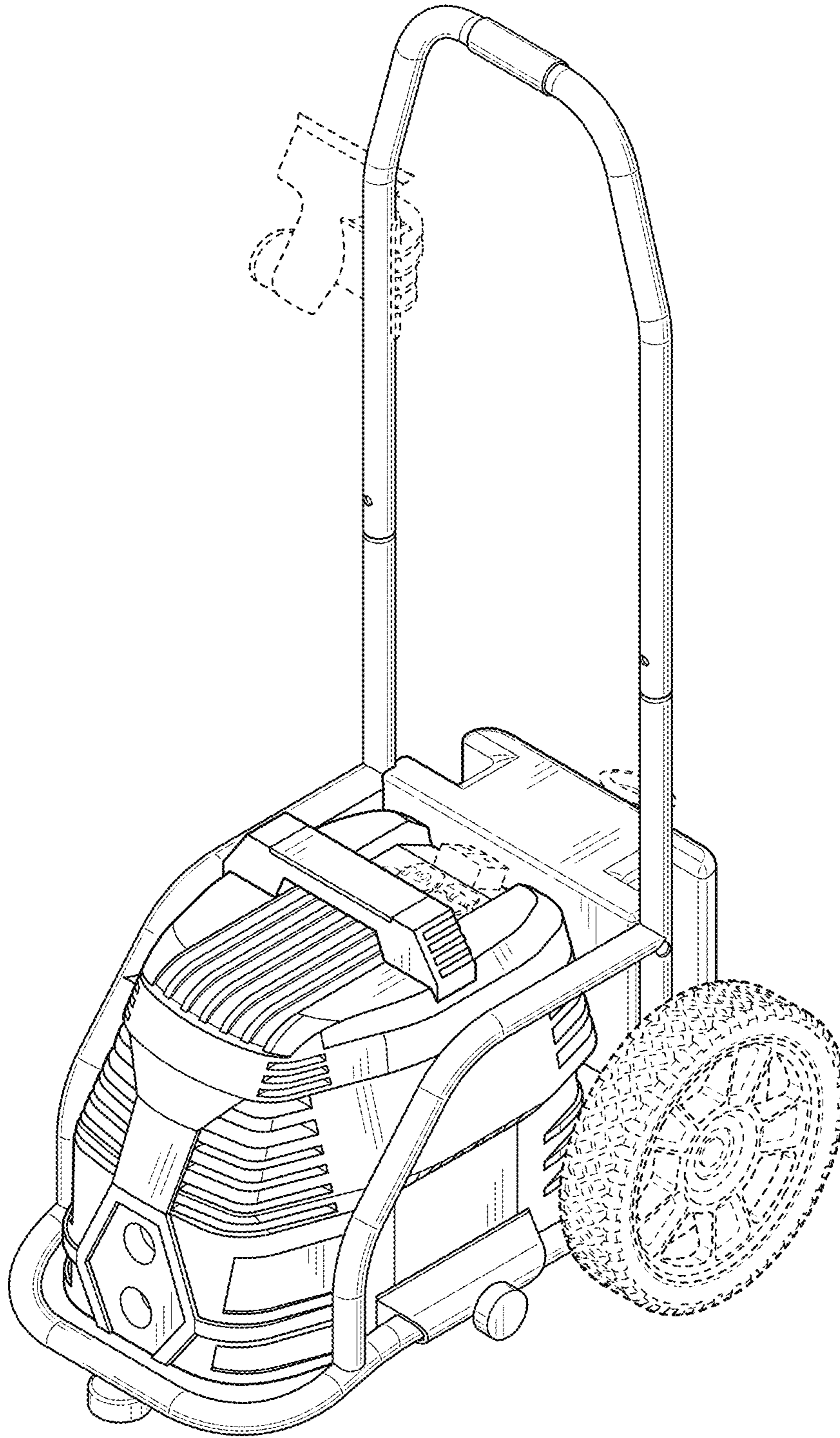


FIG. 1

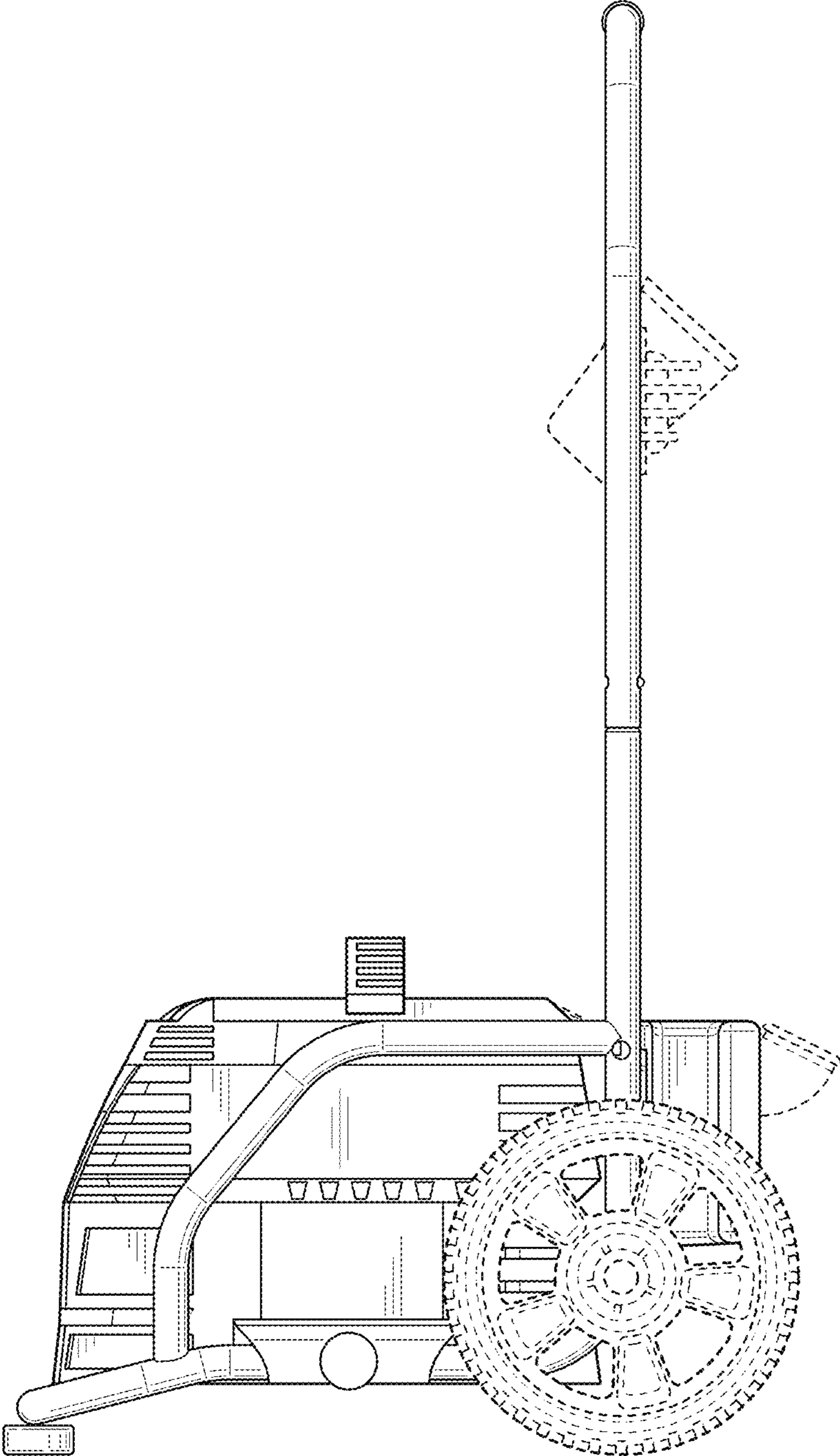


FIG. 2

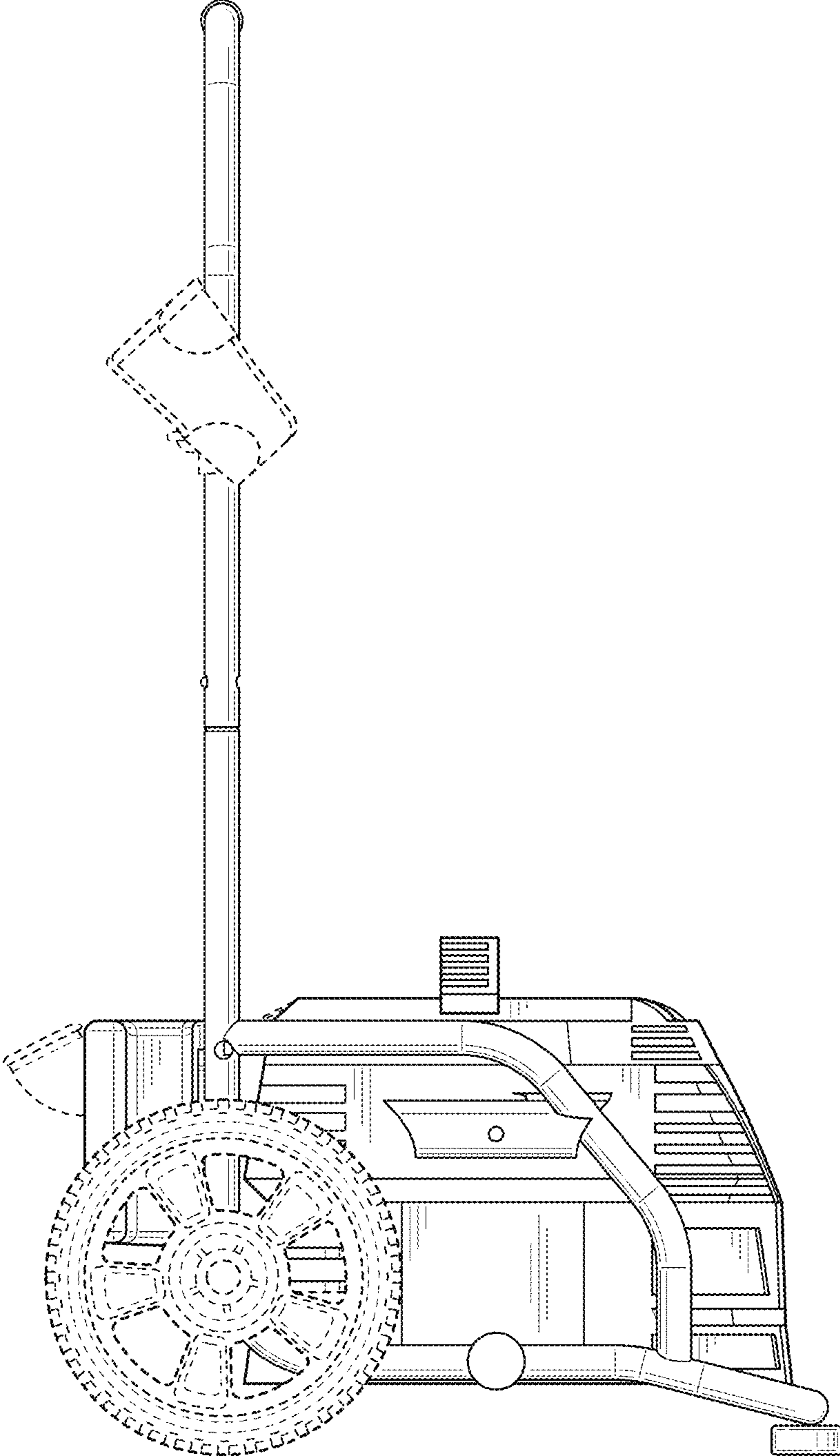


FIG. 3

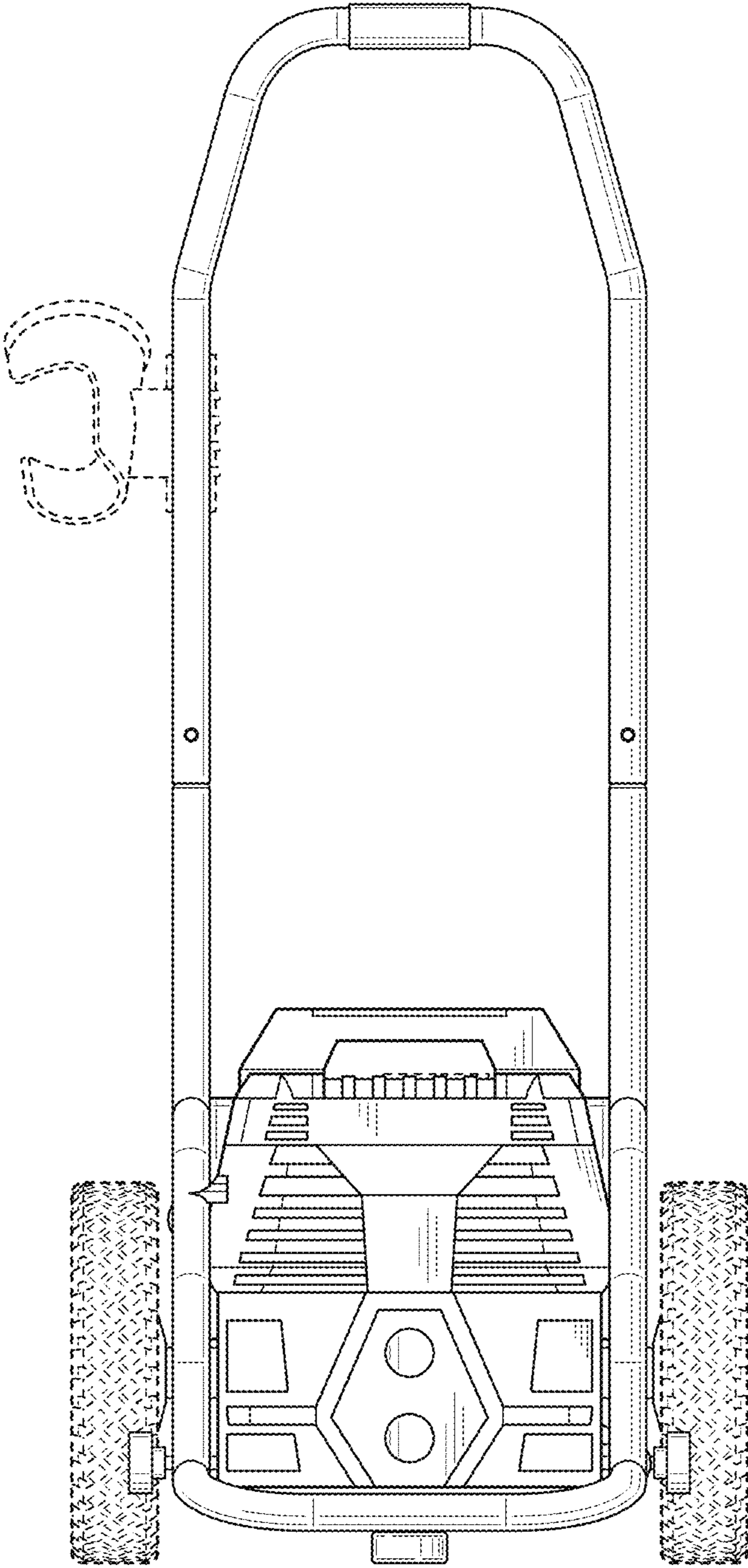


FIG. 4

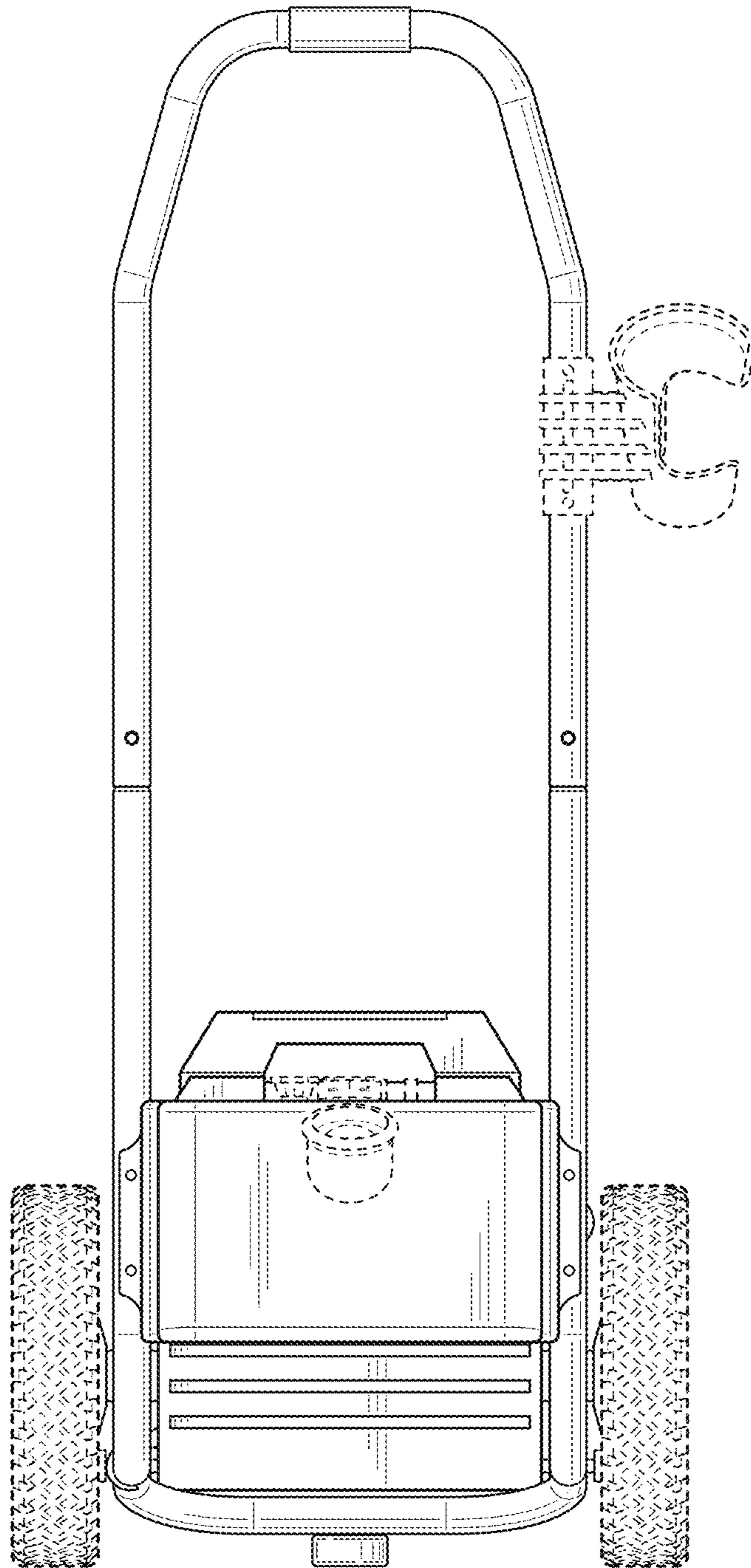


FIG. 5

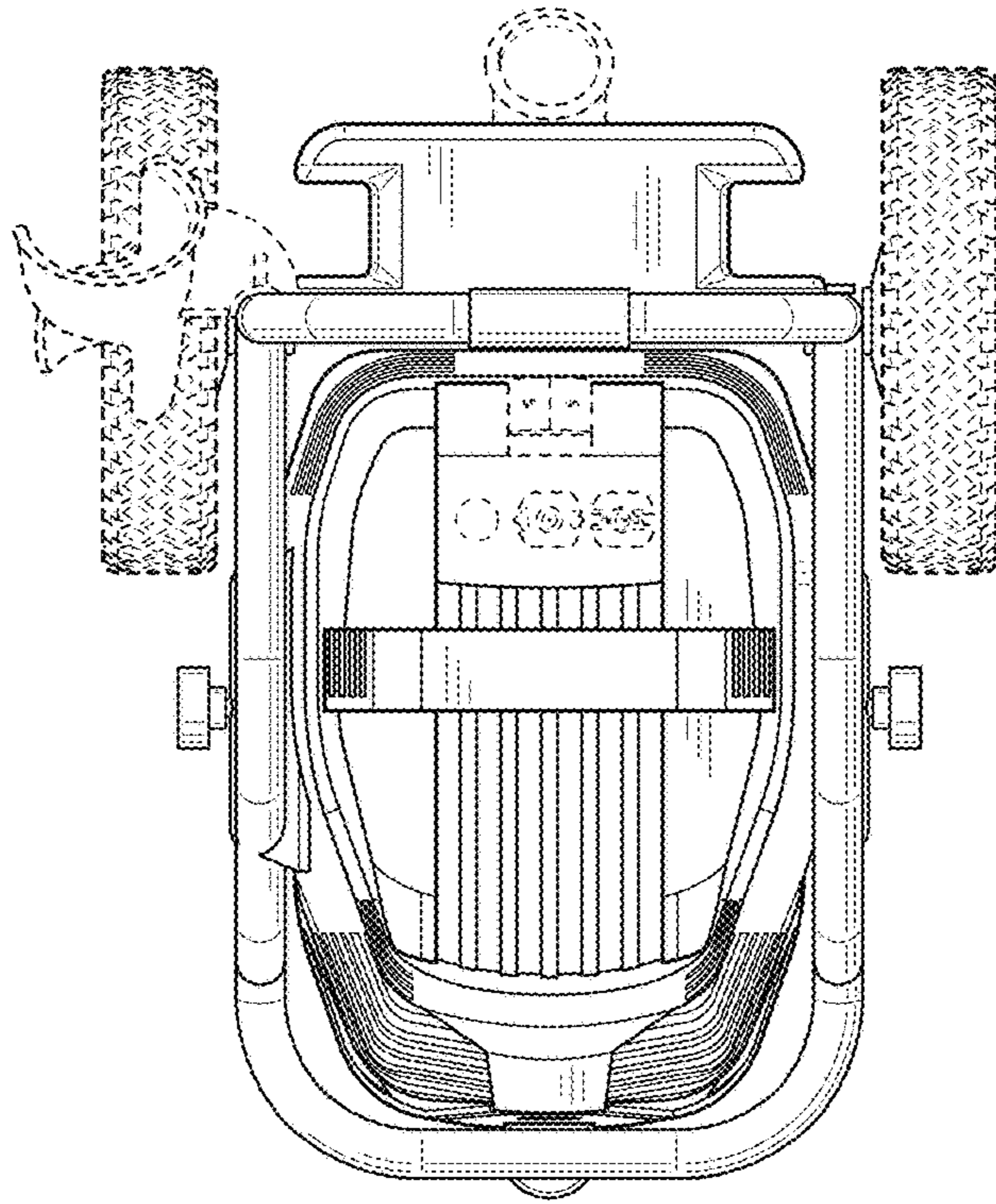


FIG. 6

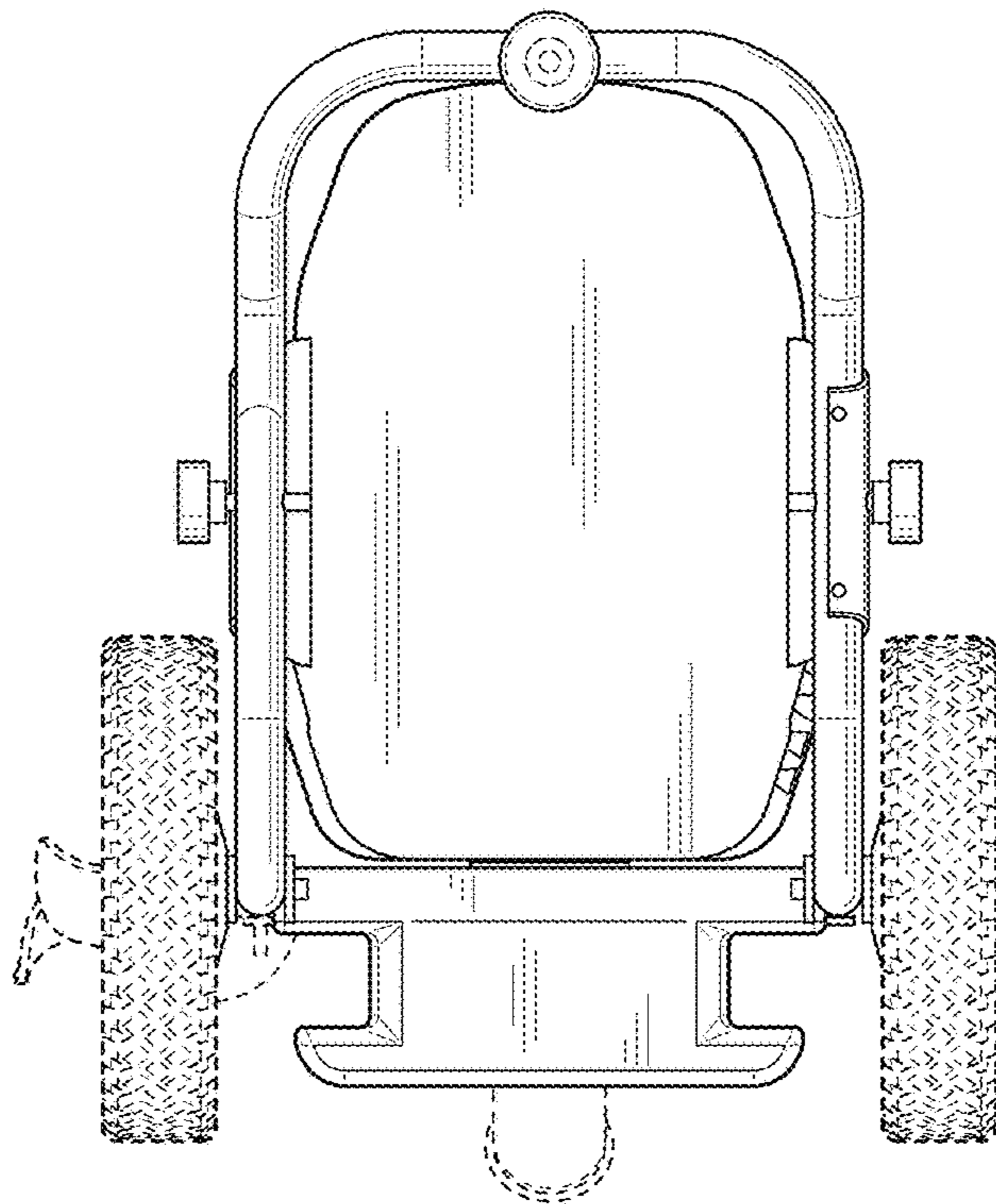


FIG. 7