



US00D778010S

(12) **United States Design Patent**  
**Choi et al.**

(10) **Patent No.:** **US D778,010 S**

(45) **Date of Patent:** **\*\* \*Jan. 31, 2017**

- (54) **DRYER**
- (71) Applicant: **Samsung Electronics Co., Ltd.**,  
Suwon-si (KR)
- (72) Inventors: **Hyoung-Sub Choi**, Goyang-si (KR);  
**Deok-Sang Yun**, Ansan-si (KR)
- (73) Assignee: **SAMSUNG ELECTRONICS CO., LTD.** (KR)
- (\*) Notice: This patent is subject to a terminal disclaimer.
- (\*\*) Term: **15 Years**
- (21) Appl. No.: **29/530,970**
- (22) Filed: **Jun. 22, 2015**
- (30) **Foreign Application Priority Data**  
Dec. 22, 2014 (KR) ..... 30-2014-0062388
- (51) **LOC (10) Cl.** ..... **15-05**
- (52) **U.S. Cl.**  
USPC ..... **D32/8**
- (58) **Field of Classification Search**  
USPC ..... D32/6, 8, 1, 25, 5; D7/340, 405  
CPC ..... D06F 58/00; D06F 58/02; D06F 58/04;  
D06F 58/20  
See application file for complete search history.

- (56) **References Cited**  
U.S. PATENT DOCUMENTS  
2,416,405 A \* 2/1947 Purpura ..... D06F 58/02  
34/134  
D170,350 S \* 9/1953 Bourner ..... D32/8  
4,631,934 A \* 12/1986 Imanishi ..... D06F 23/04  
68/154

- D289,212 S \* 4/1987 Nakamura ..... D32/6
- D300,279 S \* 3/1989 Umehara ..... D32/6
- D313,679 S \* 1/1991 Sakamoto ..... D32/6
- 5,783,918 A \* 7/1998 Choi ..... G05B 19/042  
312/319.5
- D422,387 S \* 4/2000 Mutoh ..... D32/25
- D465,307 S \* 11/2002 Du ..... D32/6
- D470,632 S \* 2/2003 Oda ..... D32/6
- D479,373 S \* 9/2003 Silva ..... D32/25
- D481,499 S \* 10/2003 Moreira da Silva ..... D32/25
- D492,073 S \* 6/2004 Sneddon ..... D32/6
- D516,258 S \* 2/2006 Matsusaki ..... D32/1
- D519,692 S \* 4/2006 Jun ..... D32/6
- D521,197 S \* 5/2006 Kim ..... D32/8
- D537,991 S \* 3/2007 Jun ..... D32/6
- D547,915 S \* 7/2007 Jun ..... D32/6
- D557,466 S \* 12/2007 Suh ..... D32/6
- D583,114 S \* 12/2008 Jeon ..... D32/8
- D642,753 S \* 8/2011 Ha ..... D32/6
- D658,340 S \* 4/2012 Jeon ..... D32/6

(Continued)

*Primary Examiner* — T. Chase Nelson  
*Assistant Examiner* — Michelle E Wilson  
(74) *Attorney, Agent, or Firm* — Cantor Colburn LLP

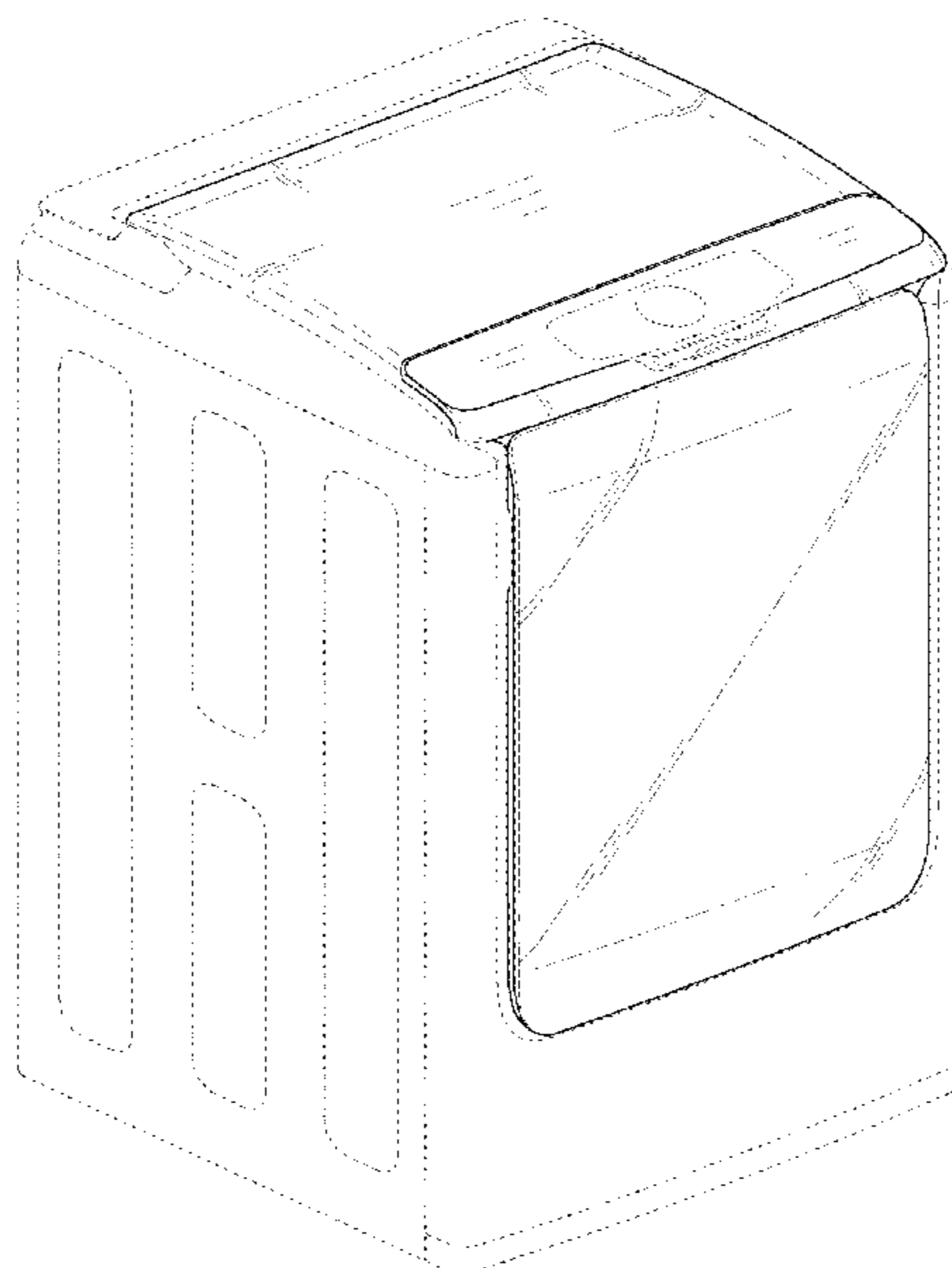
(57) **CLAIM**

The ornamental design for a dryer, as shown and described.

**DESCRIPTION**

FIG. 1 is a perspective view of a dryer, showing our new design;  
FIG. 2 is a front view thereof;  
FIG. 3 is a rear view thereof;  
FIG. 4 is a side view thereof;  
FIG. 5 is another side view thereof;  
FIG. 6 is a top view thereof; and,  
FIG. 7 is a bottom view thereof.  
The broken lines in the figures are for environmental purposes only and form no part of the claimed design.

**1 Claim, 7 Drawing Sheets**



(56)

**References Cited**

U.S. PATENT DOCUMENTS

D663,907 S *	7/2012	Jeon .....	D32/6
D663,908 S *	7/2012	Jeon .....	D32/6
D664,313 S *	7/2012	Chung .....	D32/6
D703,887 S *	4/2014	Lee .....	D32/8
D729,467 S *	5/2015	Jee .....	D32/6
D730,597 S *	5/2015	Jeon .....	D32/8
D738,582 S *	9/2015	Chung .....	D32/6

\* cited by examiner

FIG. 1

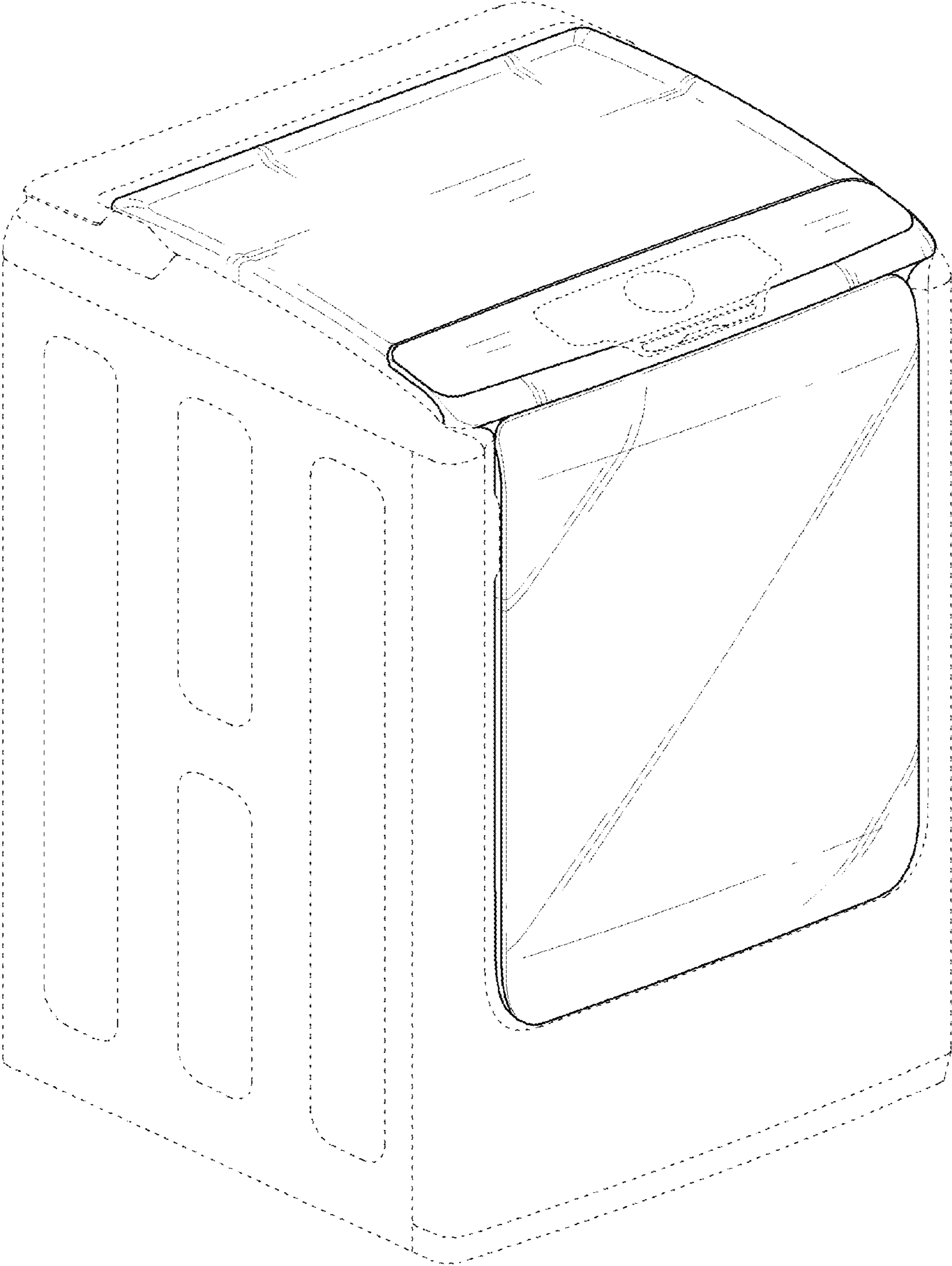


FIG. 2

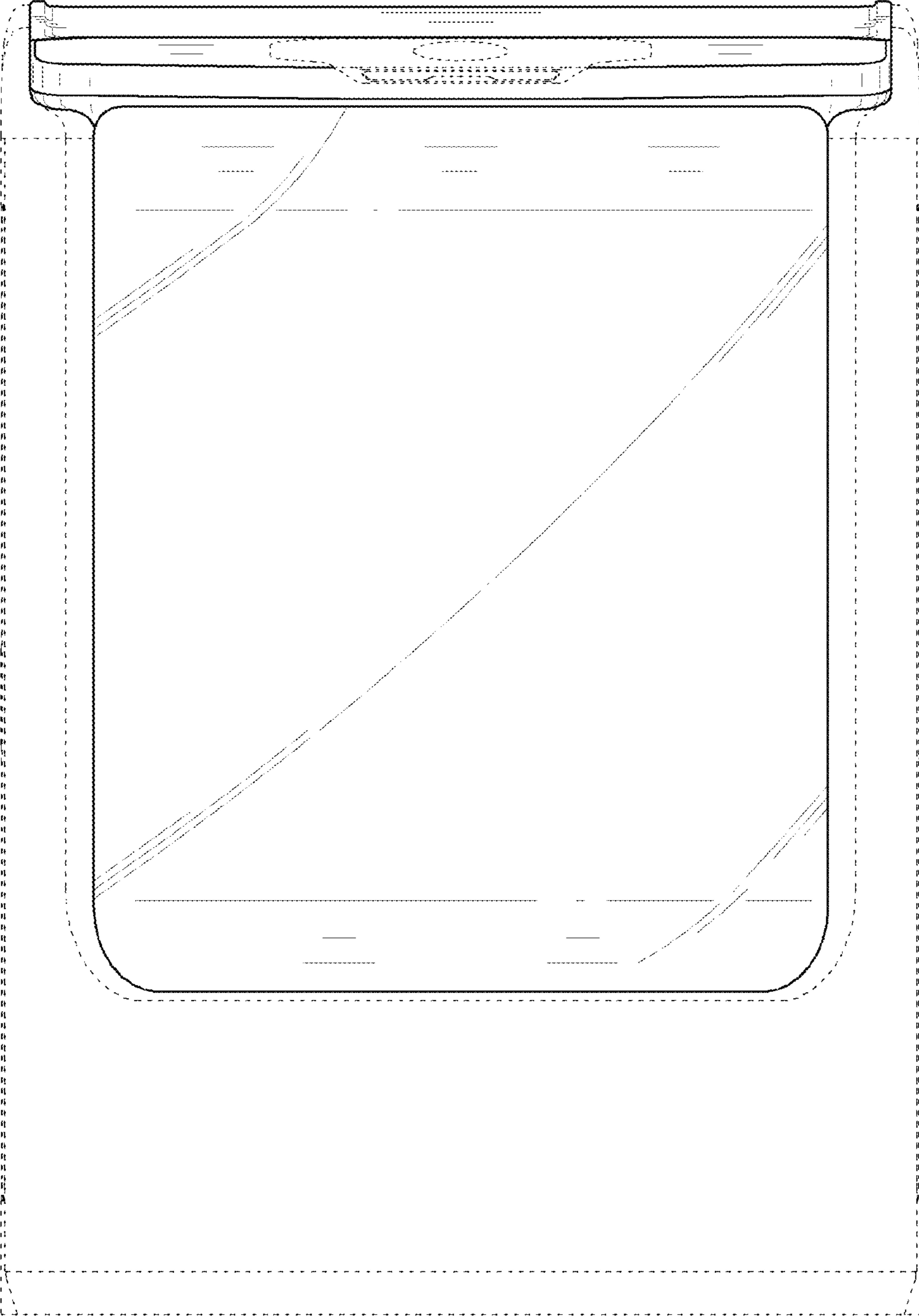


FIG. 3

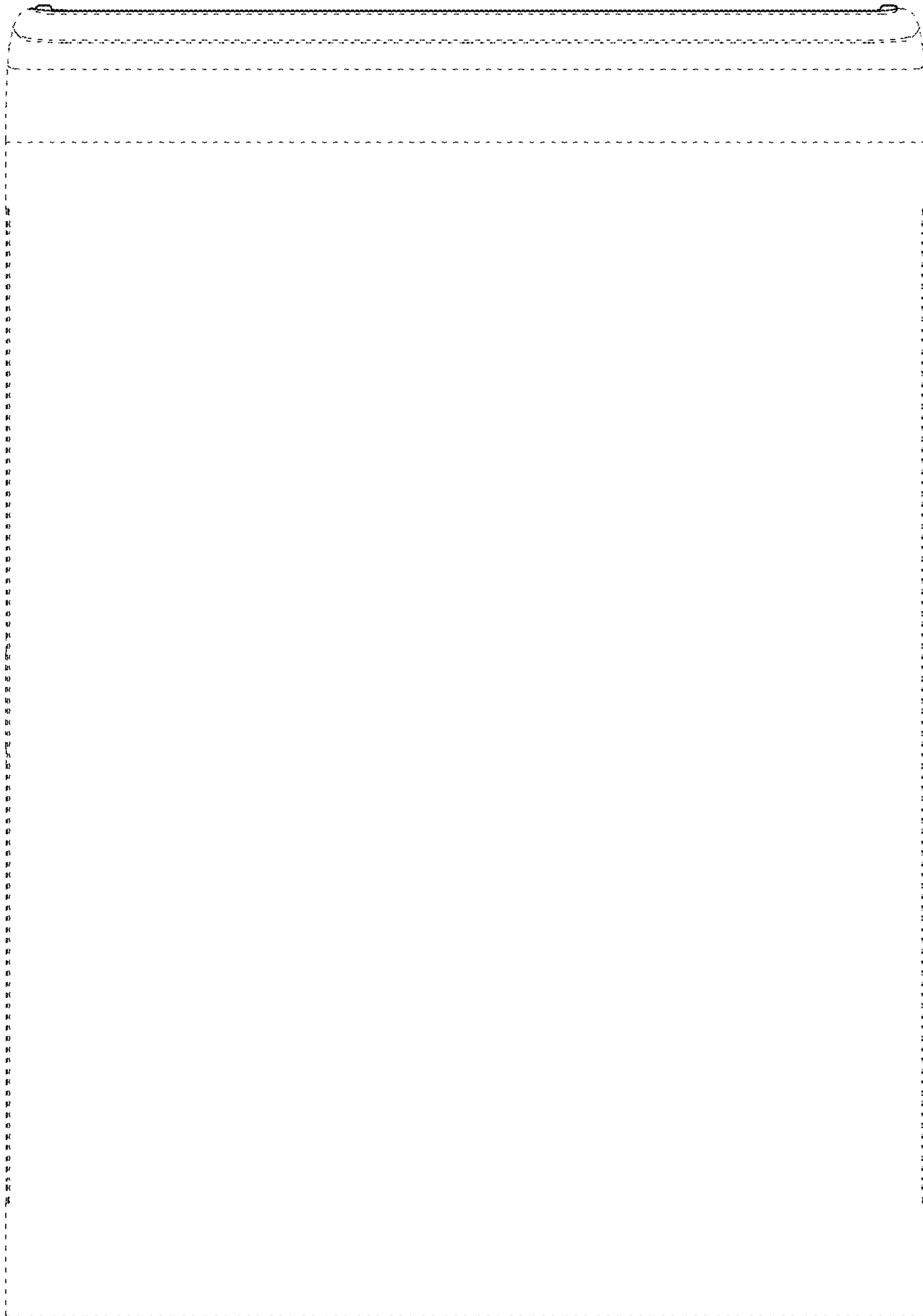


FIG. 4

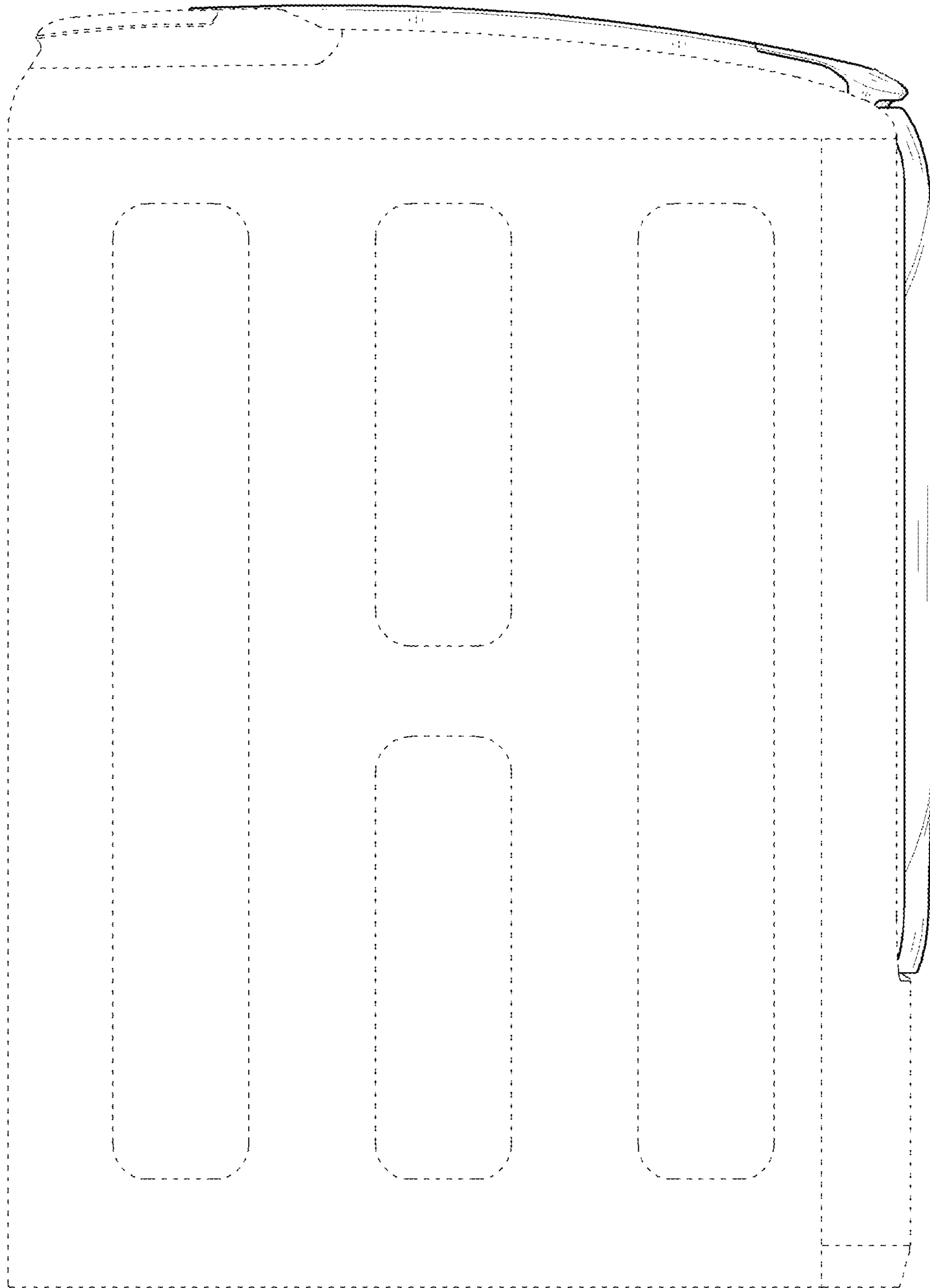


FIG. 5

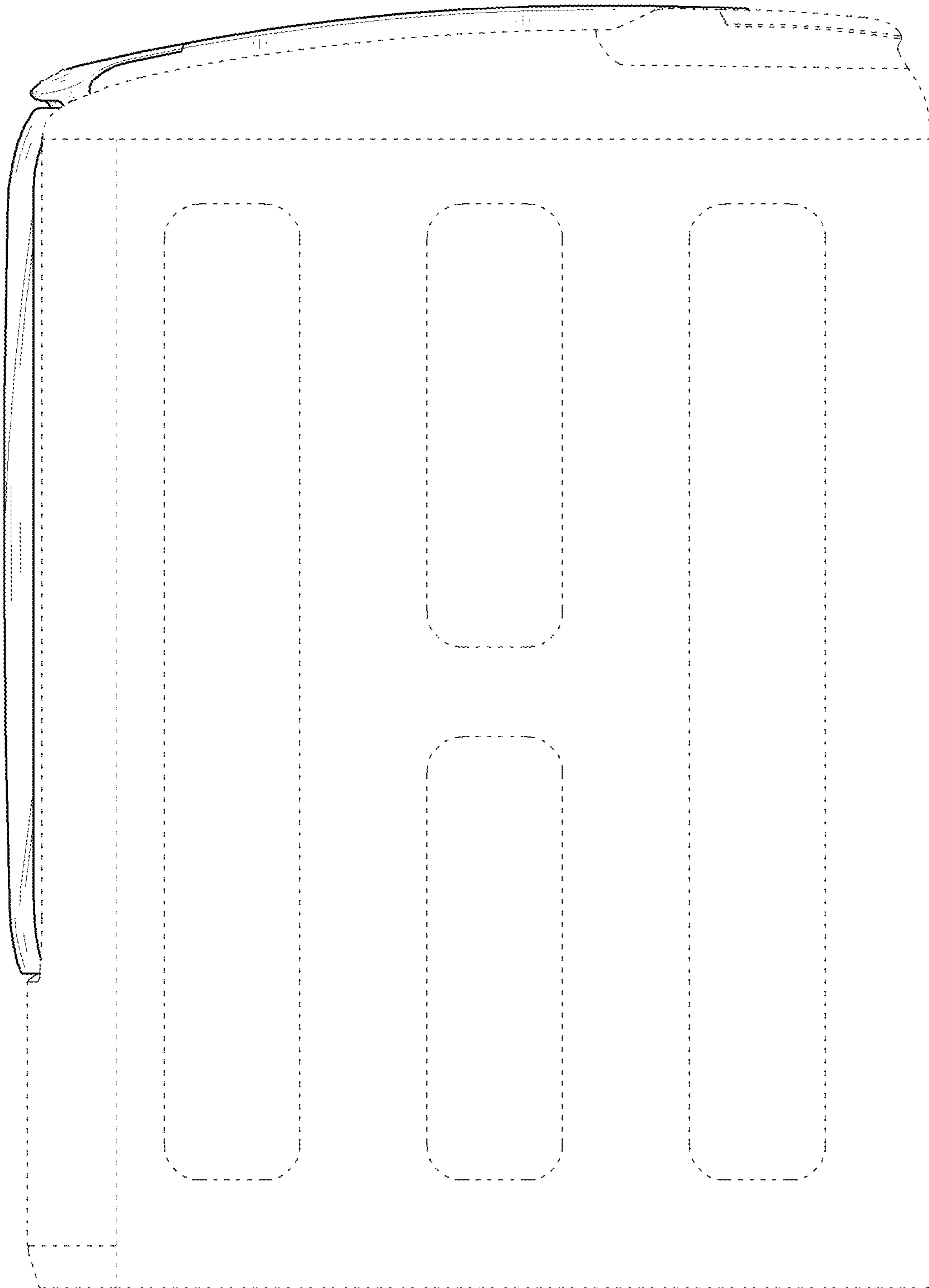


FIG. 6

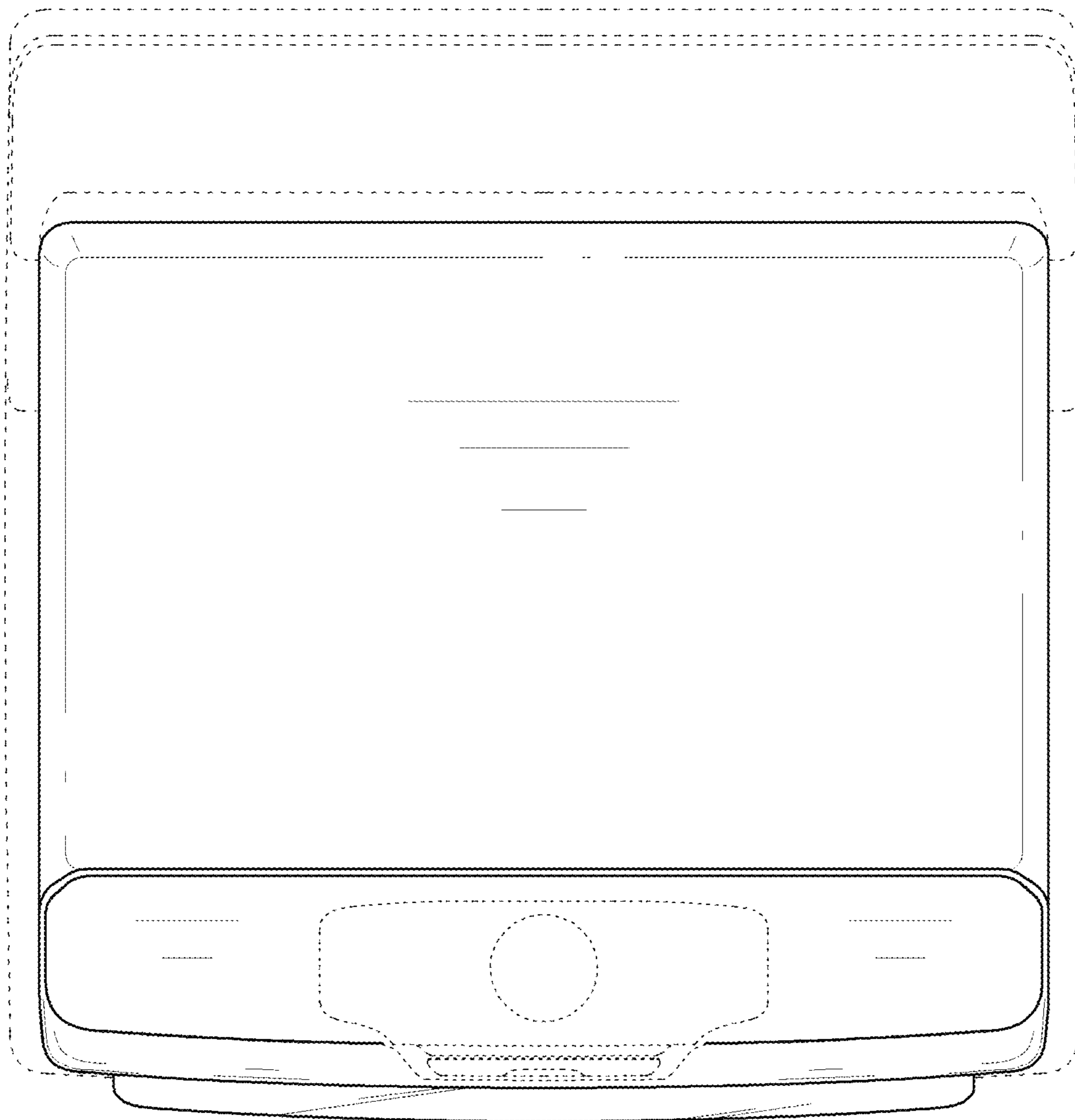




FIG. 7

