



US00D778009S

(12) **United States Design Patent** (10) **Patent No.:** **US D778,009 S**  
**Roberson et al.** (45) **Date of Patent:** **\*\* Jan. 31, 2017**

(54) **DISHWASHER DOOR HANDLE**

CPC ..... A47L 15/4265; A47L 15/4259; A47L 15/4257; A47L 15/4293; F25D 23/02; F25D 23/021

(71) Applicant: **BSH Home Appliances Corporation**, Irvine, CA (US)

See application file for complete search history.

(72) Inventors: **Lindsay Roberson**, Durham, NC (US); **Thomas Ott**, Neubiberg (DE)

(56) **References Cited**

(73) Assignee: **BSH Home Appliances Corporation**, Irvine, CA (US)

U.S. PATENT DOCUMENTS

(\*\*) Term: **15 Years**

D191,224 S \* 8/1961 Fay ..... D32/2 5,365,959 A \* 11/1994 Favaro ..... A47L 15/4293 134/113

(21) Appl. No.: **29/569,156**

(Continued)

(22) Filed: **Jun. 24, 2016**

*Primary Examiner* — Robert Delehanty

(74) *Attorney, Agent, or Firm* — Michael E. Tschupp; Andre Pallapies

**Related U.S. Application Data**

(62) Division of application No. 29/550,902, filed on Jan. 8, 2016, now Pat. No. Des. 765,925, which is a division of application No. 29/540,175, filed on Sep. 22, 2015, now Pat. No. Des. 753,887, which is a division of application No. 29/534,268, filed on Jul. 28, 2015, now Pat. No. Des. 745,751, which is a division of application No. 29/524,472, filed on Apr. 21, 2015, now Pat. No. Des. 741,031, which is a division of application No. 29/483,268, filed on Feb. 27, 2014, now Pat. No. Des. 732,761, which is a division of application No. 29/468,763, filed on Oct. 3, 2013, now Pat. No. Des. 706,997, which is a division of application No. 29/460,929, filed on Jul. 17, 2013, now Pat. No. Des. 698,506, which is a division of application No. 29/451,489, filed on Apr. 3, 2013, now

(57) **CLAIM**

The ornamental design for a dishwasher door handle, as shown and described.

(Continued)

**DESCRIPTION**

FIG. 1 is a front perspective view of a dishwasher door handle as according to our new ornamental design; FIG. 2 is a front view thereof; FIG. 3 is another perspective view thereof, from the bottom; FIG. 4 is a cross section along lines 4-4 of FIG. 2; FIG. 5 is a cross section along lines 5-5 of FIG. 2; and, FIG. 6 is a cross section along lines 6-6 of FIG. 3.

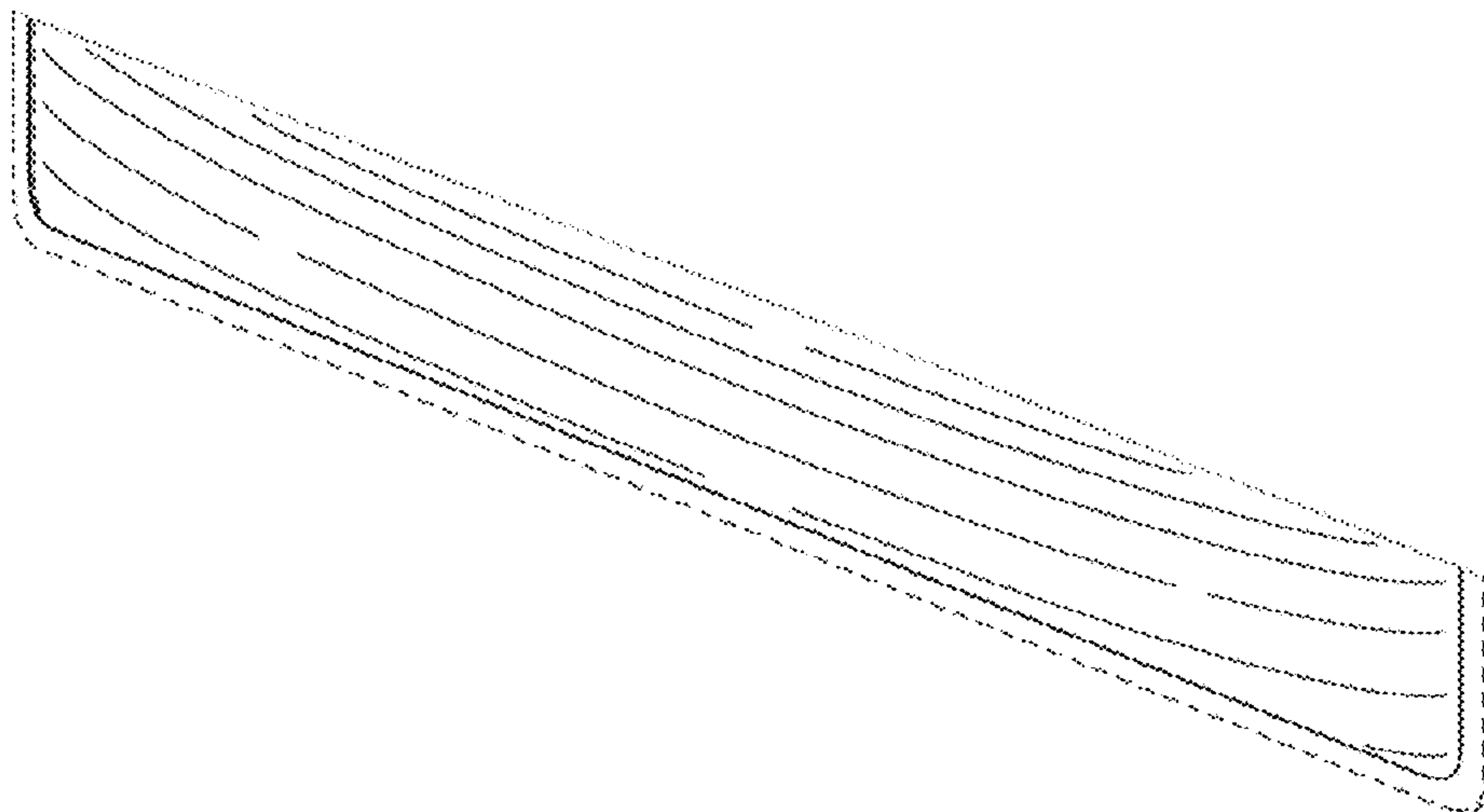
The broken lines of the dishwasher, dishwasher compartment and/or components thereof show surrounding structure or environment and do not form part of the claimed design. The bottom, front and rear parts of the dishwasher door, and the bottom, front, rear and top of the dishwasher compartment are unornamented and form no part of the claimed design.

(51) **LOC (10) Cl.** ..... **15-05**

(52) **U.S. Cl.**  
USPC ..... **D32/3**

(58) **Field of Classification Search**  
USPC .... D32/1-3, 25, 28; D7/340, 348-350, 405; 312/31, 109, 228; 134/56 D, 57 D, 58 D, 134/58 DL, 201

**1 Claim, 2 Drawing Sheets**



**Related U.S. Application Data**

Pat. No. Des. 692,628, which is a division of application No. 29/424,165, filed on Jun. 8, 2012, now Pat. No. Des. 684,734, which is a division of application No. 29/397,798, filed on Jul. 21, 2011, now Pat. No. Des. 665,956.

(56)

**References Cited**

U.S. PATENT DOCUMENTS

D493,582	S	*	7/2004	Ott	.....	D32/3
D493,583	S	*	7/2004	Kaczmarek	.....	D32/3
D501,963	S	*	2/2005	Kaczmarek	.....	D32/3
D519,689	S	*	4/2006	Ott	.....	D32/3
D544,657	S	*	6/2007	Jung	.....	D32/2
D627,938	S	*	11/2010	Kim	.....	D32/2
D658,828	S	*	5/2012	Kim	.....	D32/2
D665,956	S	*	8/2012	Eng	.....	D32/2
D665,957	S	*	8/2012	Eng	.....	D32/2
D668,402	S	*	10/2012	Eng	.....	D32/3
D668,403	S	*	10/2012	Eng	.....	D32/3
D668,404	S	*	10/2012	Eng	.....	D32/3
D670,457	S	*	11/2012	Eng	.....	D32/3
D672,101	S	*	12/2012	Eng	.....	D32/3
D673,742	S	*	1/2013	Eng	.....	D32/2
D684,734	S	*	6/2013	Eng	.....	D32/3
D684,735	S	*	6/2013	Eng	.....	D32/3
D684,736	S	*	6/2013	Eng	.....	D32/3
D685,149	S	*	6/2013	Eng	.....	D32/3
D689,248	S	*	9/2013	Eng	.....	D32/3
D692,628	S	*	10/2013	Eng	.....	D32/2
D692,629	S	*	10/2013	Eng	.....	D32/3
D693,069	S	*	11/2013	Grobleben	.....	D32/3
D693,070	S	*	11/2013	Eng	.....	D32/3

\* cited by examiner

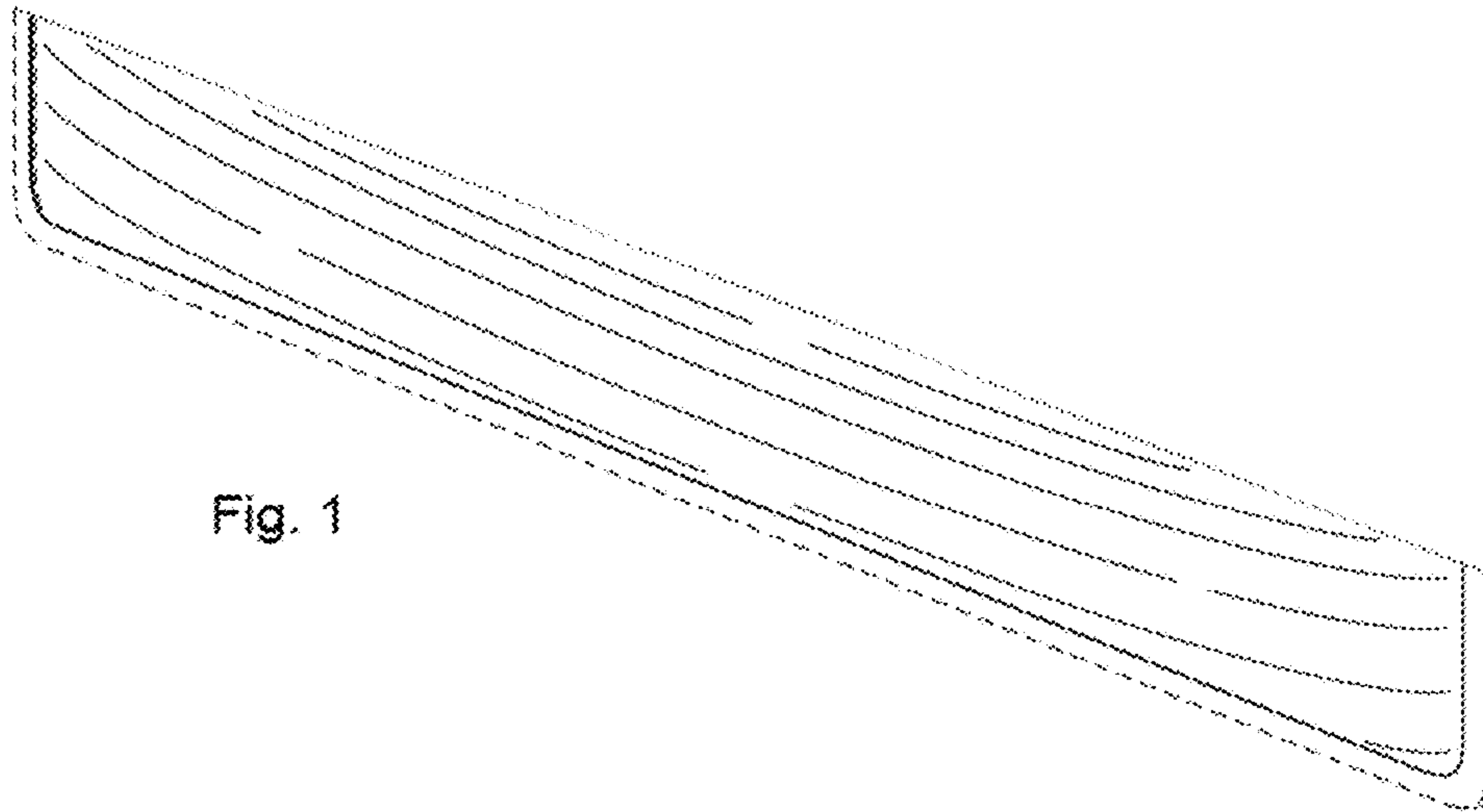


Fig. 1

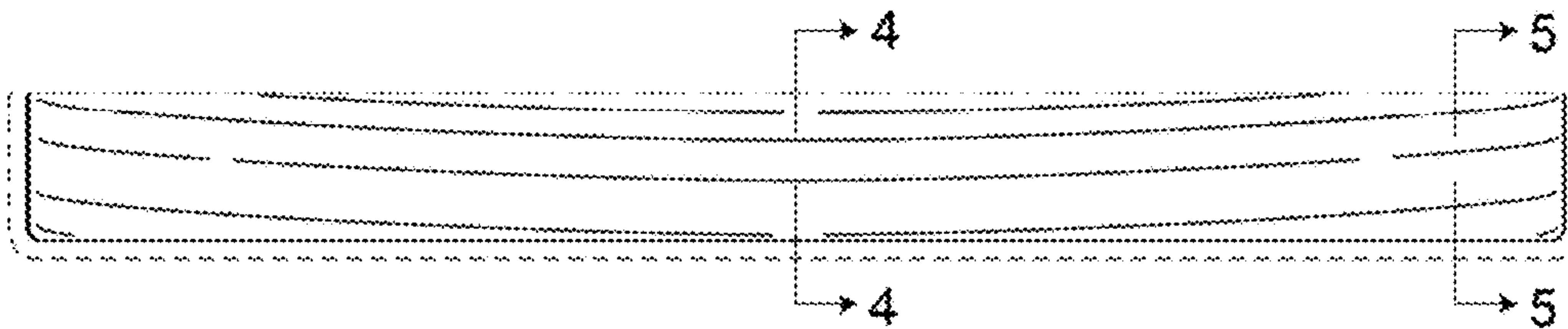


Fig. 2

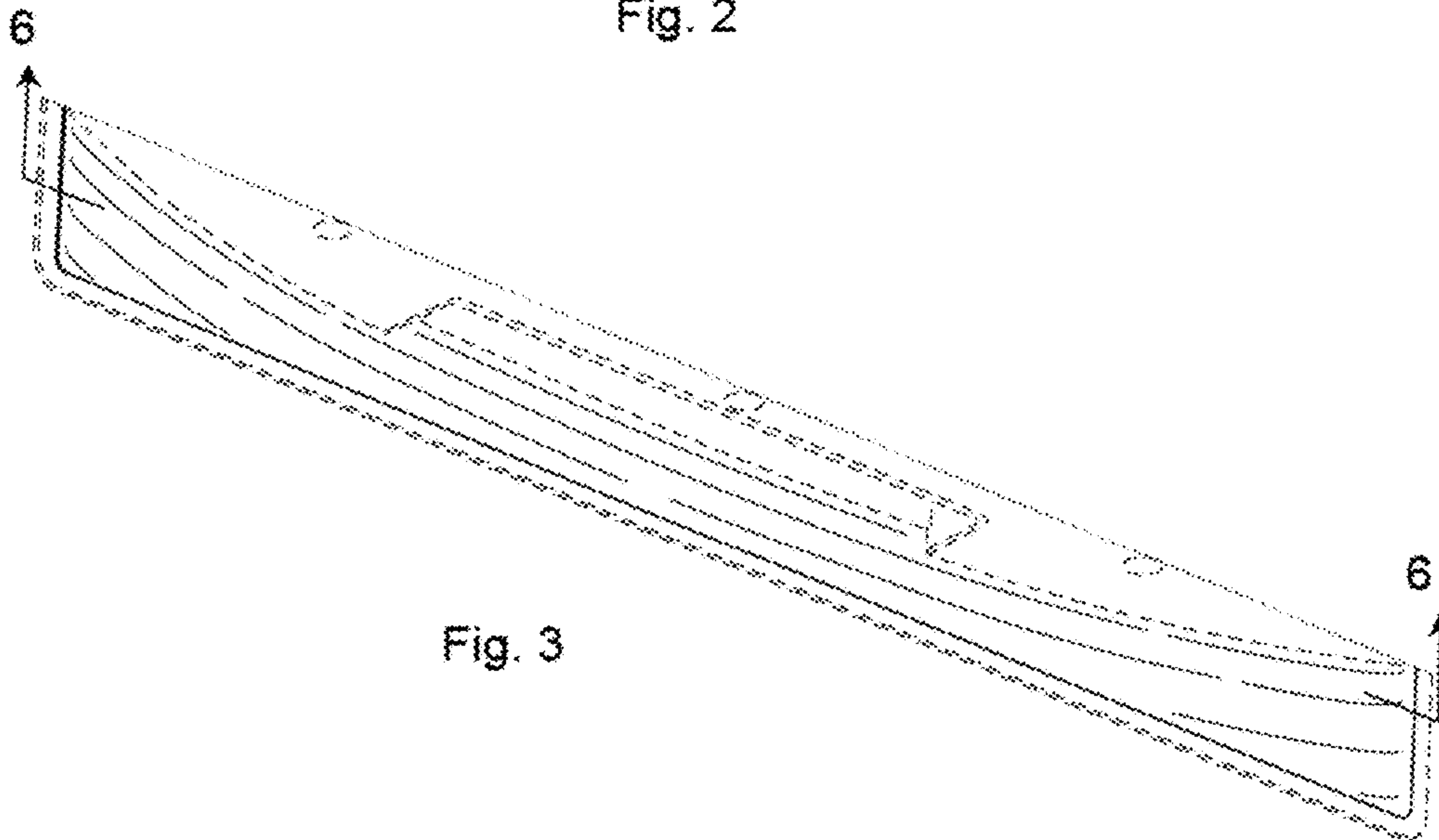


Fig. 3

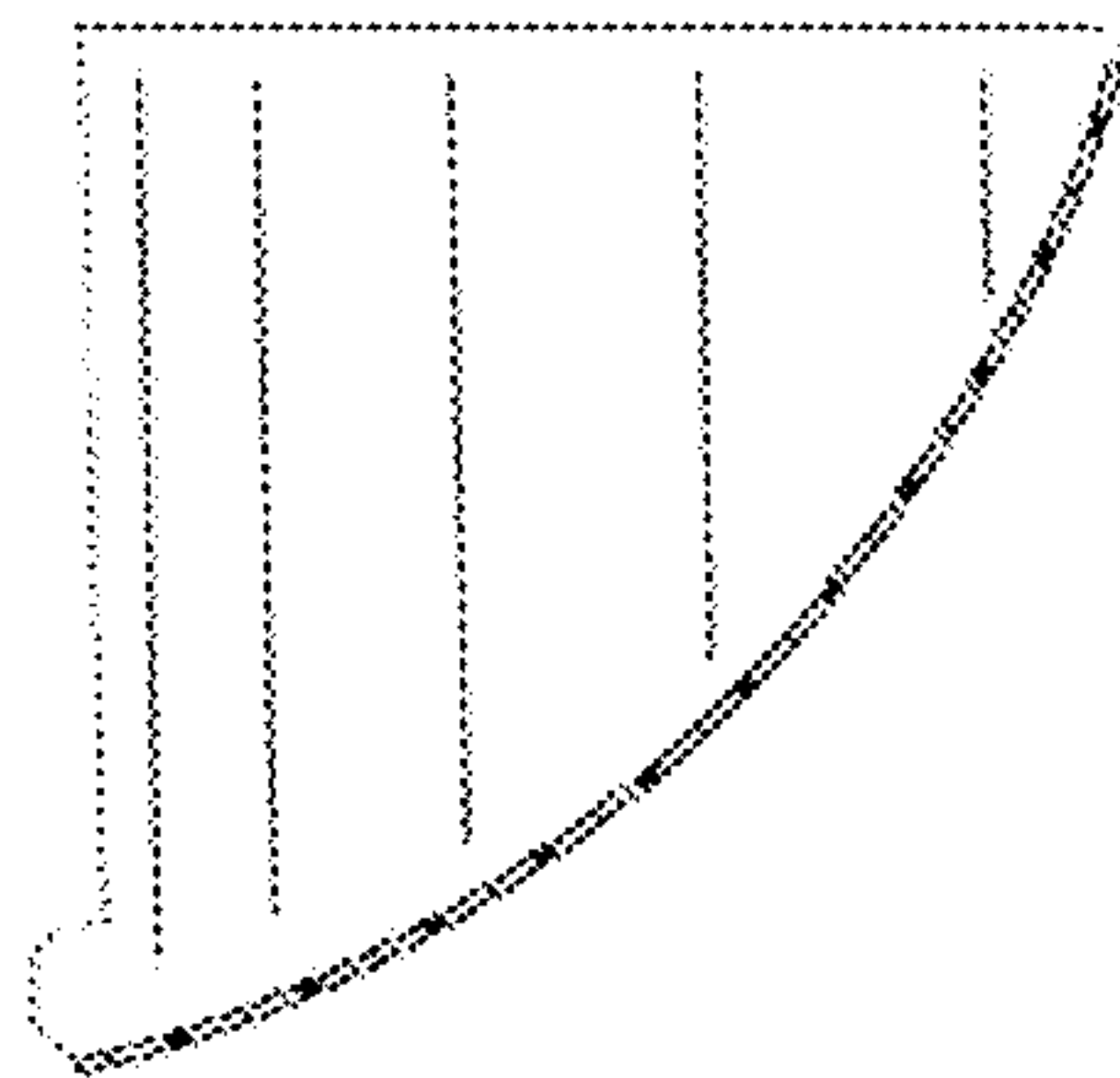


Fig. 4

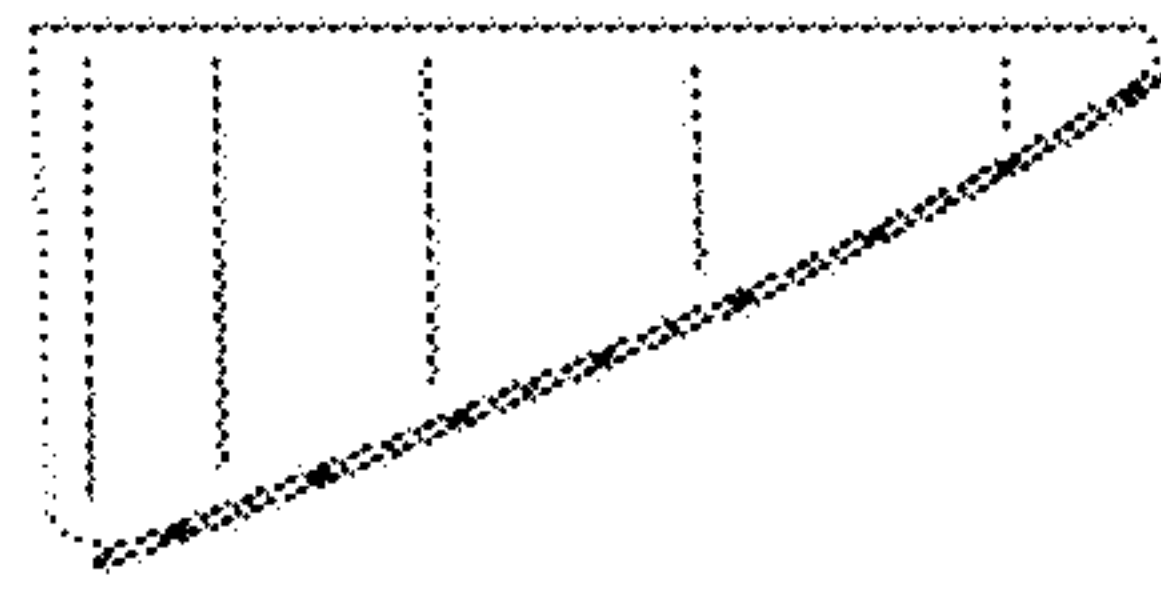


Fig. 5

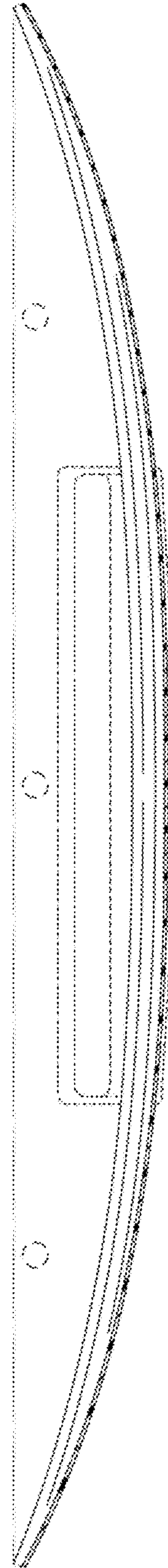


Fig. 6