



US00D778006S

(12) **United States Design Patent**
Roberson et al.

(10) **Patent No.:** **US D778,006 S**
(45) **Date of Patent:** **** Jan. 31, 2017**

(54) **DISHWASHER AND/OR COMPONENT(S)
THEREOF**

CPC A47L 15/4265; A47L 15/4259; A47L
15/4257; A47L 15/4293; F25D
23/02; F25D 23/021

(71) Applicant: **BSH Home Appliances Corporation**,
Irvine, CA (US)

See application file for complete search history.

(72) Inventors: **Lindsay Roberson**, Durham, NC (US);
Thomas Ott, Neubiberg (DE)

(56) **References Cited**

(73) Assignee: **BSH Home Appliances Corporation**,
Irvine, CA (US)

U.S. PATENT DOCUMENTS

(**) Term: **15 Years**

D385,070 S * 10/1997 Hughes D32/3
D424,257 S * 5/2000 Umeda D32/2
(Continued)

(21) Appl. No.: **29/562,261**

Primary Examiner — Robert Delehanty
(74) *Attorney, Agent, or Firm* — Michael E. Tschupp;
Andre Pallapies

(22) Filed: **Apr. 25, 2016**

(57) **CLAIM**

The ornamental design for a dishwasher and/or compon-
ent(s) thereof, as shown and described.

Related U.S. Application Data

DESCRIPTION

(62) Division of application No. 29/541,577, filed on Oct.
6, 2015, now Pat. No. Des. 755,456, which is a
division of application No. 29/535,808, filed on Aug.
11, 2015, now Pat. No. Des. 748,874, which is a
division of application No. 29/524,048, filed on Apr.
16, 2015, now Pat. No. Des. 743,120, which is a
division of application No. 29/478,288, filed on Jan.
3, 2014, now Pat. No. Des. 730,592, which is a
division of application No. 29/467,697, filed on Sep.
23, 2013, now Pat. No. Des. 702,899, which is a
division of application No. 29/451,789, filed on Apr.
9, 2013, now Pat. No. Des. 734,902, which is a
(Continued)

FIG. 1 is a front perspective view of an upper portion of a
dishwasher according to our new ornamental design;
FIG. 2 is a front view thereof;
FIG. 3 is a top view thereof;
FIG. 4 is a left side view thereof, with the right side view
being a mirror image thereof;
FIG. 5 is another perspective view thereof, from the bottom;
FIG. 6 is another perspective view thereof, from the bottom;
FIG. 7 is an enlarged cross section along lines 42-42 of FIG.
6; and,
FIG. 8 is an enlarged cross section along lines 43-43 of FIG.
6.

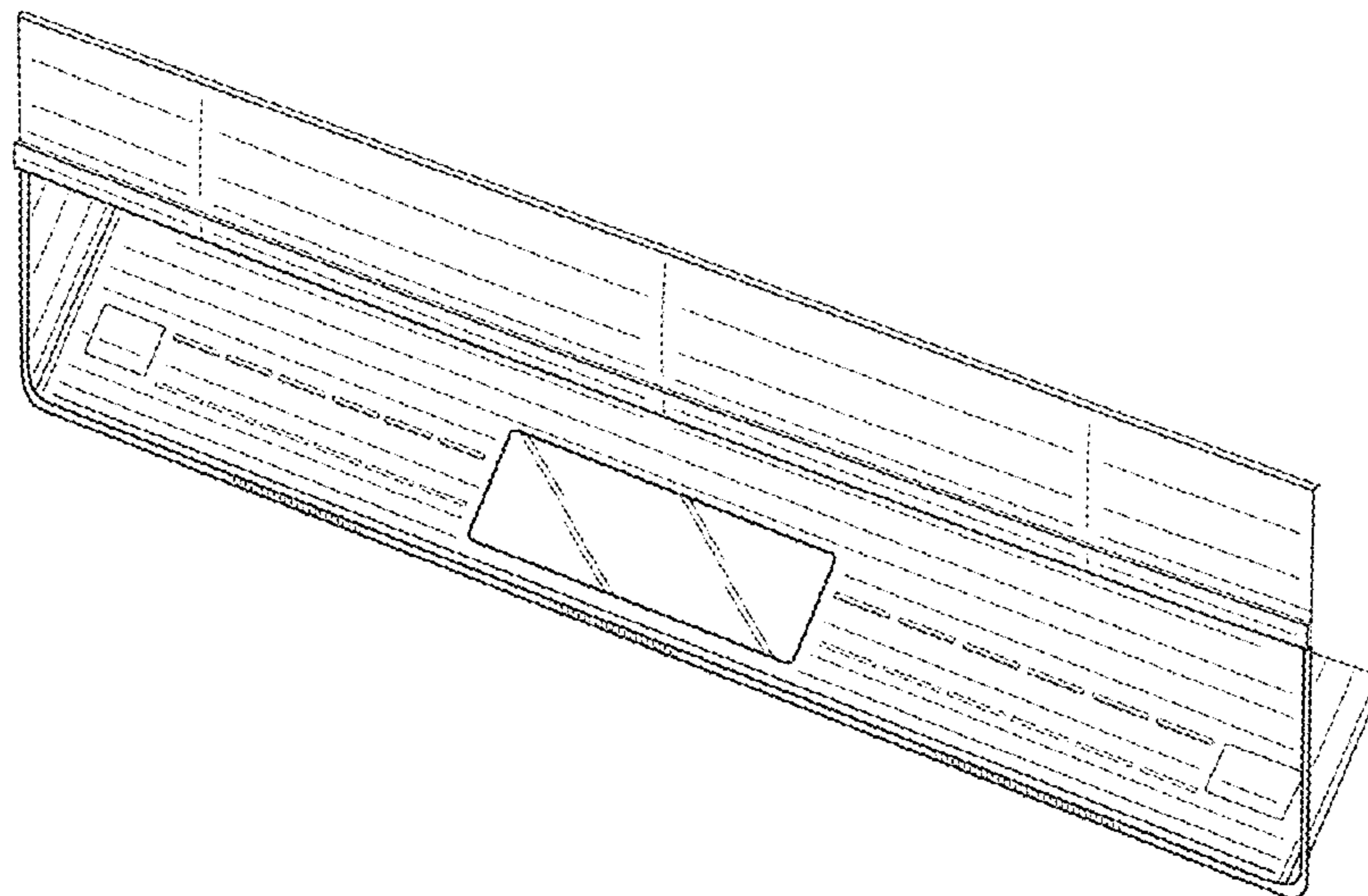
(51) **LOC (10) Cl.** **15-05**

(52) **U.S. Cl.**
USPC **D32/3**

(58) **Field of Classification Search**
USPC D32/1-3, 25, 28; D7/340, 348-350, 405;
312/31, 109, 228; 134/56 D, 57 D, 58 D,
134/58 DL, 201

The broken lines of the dishwasher, dishwasher compart-
ment and/or components thereof show surrounding structure
or environment and do not form part of the claimed design.
The rear part of the dishwasher door, and the bottom, rear
and top of the dishwasher compartment are unornamented
and form no part of the claimed design.

1 Claim, 5 Drawing Sheets



Related U.S. Application Data

division of application No. 29/424,166, filed on Jun. 8, 2012, now Pat. No. Des. 684,735, and a division of application No. 29/405,771, filed on Nov. 7, 2011, now Pat. No. Des. 665,957.

(56) **References Cited**

U.S. PATENT DOCUMENTS

D539,992 S *	4/2007	Yamamoto	D32/2
7,216,944 B2 *	5/2007	Oyler	A47L 15/4265
			312/109
D544,657 S *	6/2007	Jung	D32/2
D577,869 S *	9/2008	Tartan	D32/2
D613,467 S *	4/2010	Park	D32/6
D627,937 S *	11/2010	Kim	D32/2
D658,828 S *	5/2012	Kim	D32/2
D661,437 S *	6/2012	Kim	D32/2
D681,289 S *	4/2013	Eng	D32/3

* cited by examiner

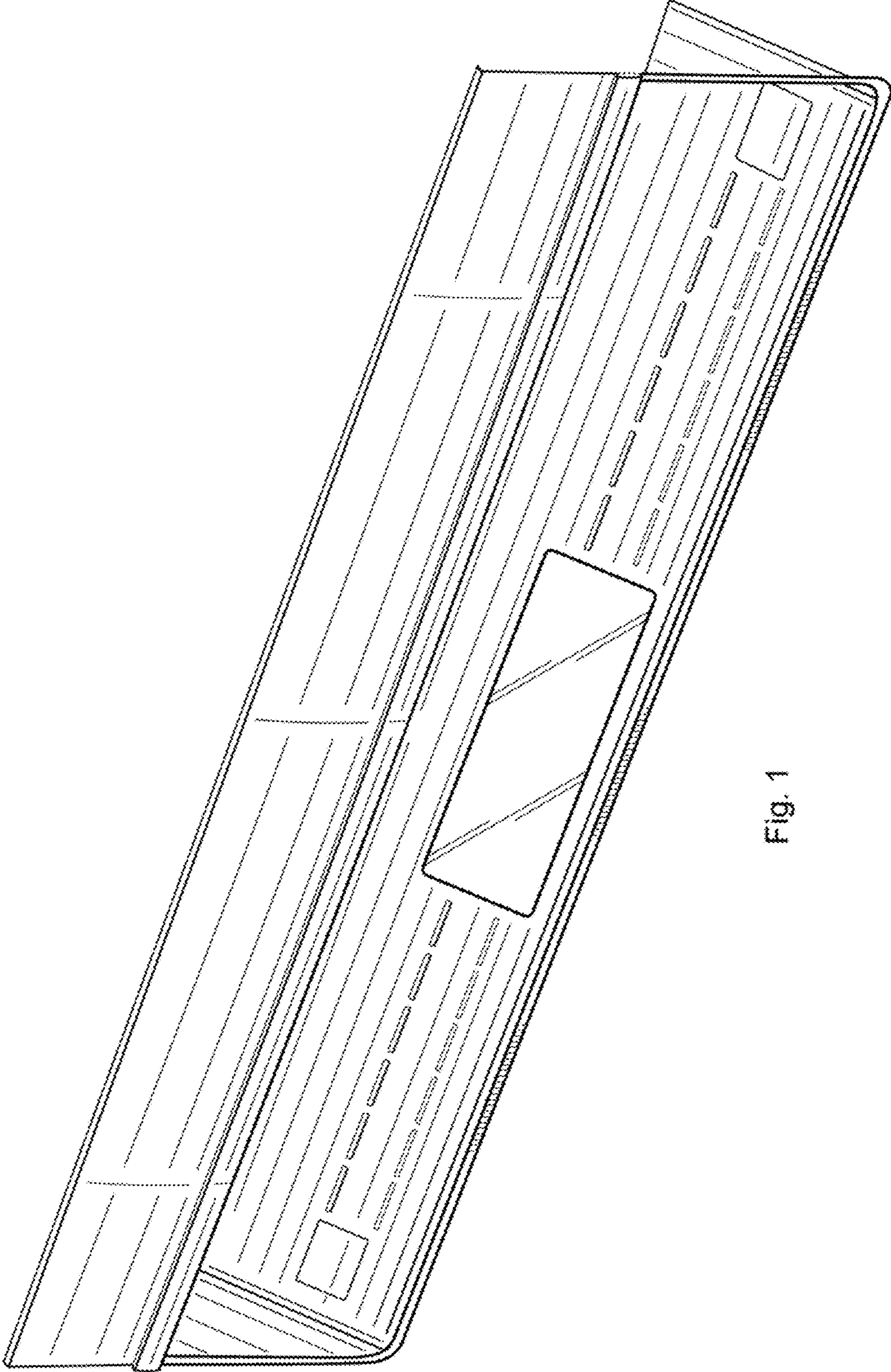


FIG. 1

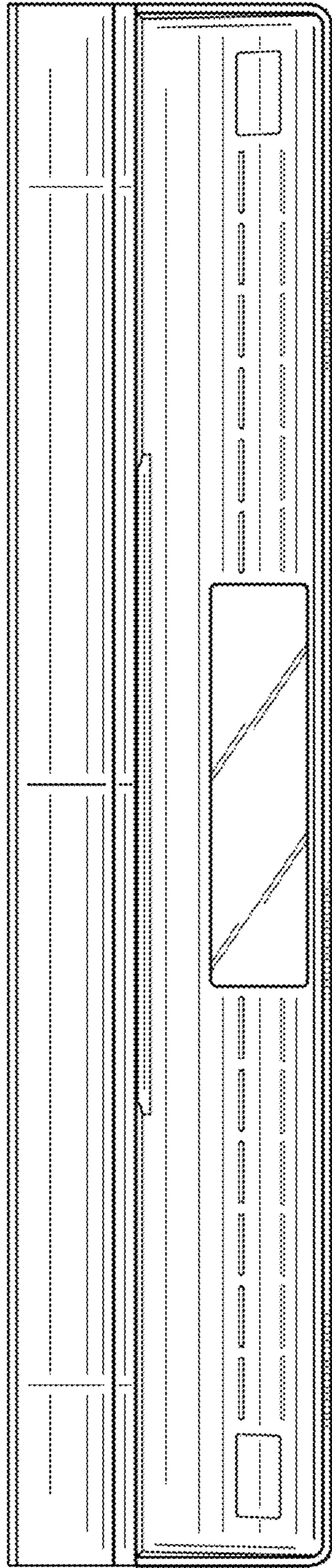


Fig. 2

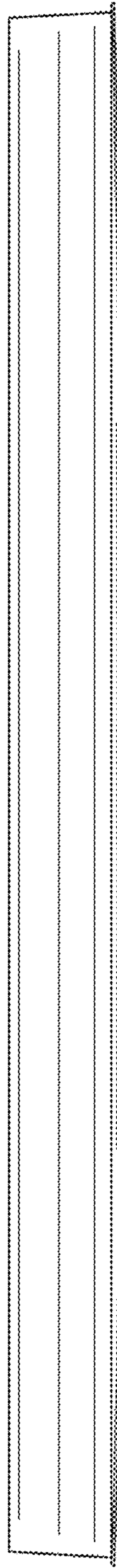


Fig. 3

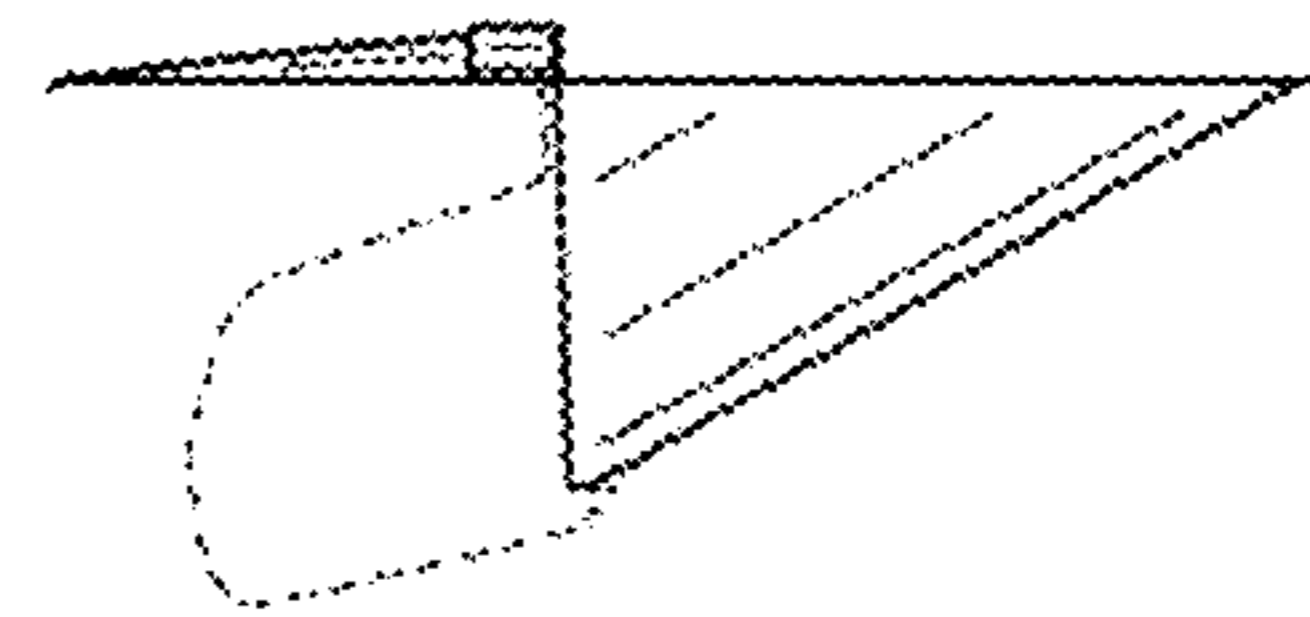


Fig. 4

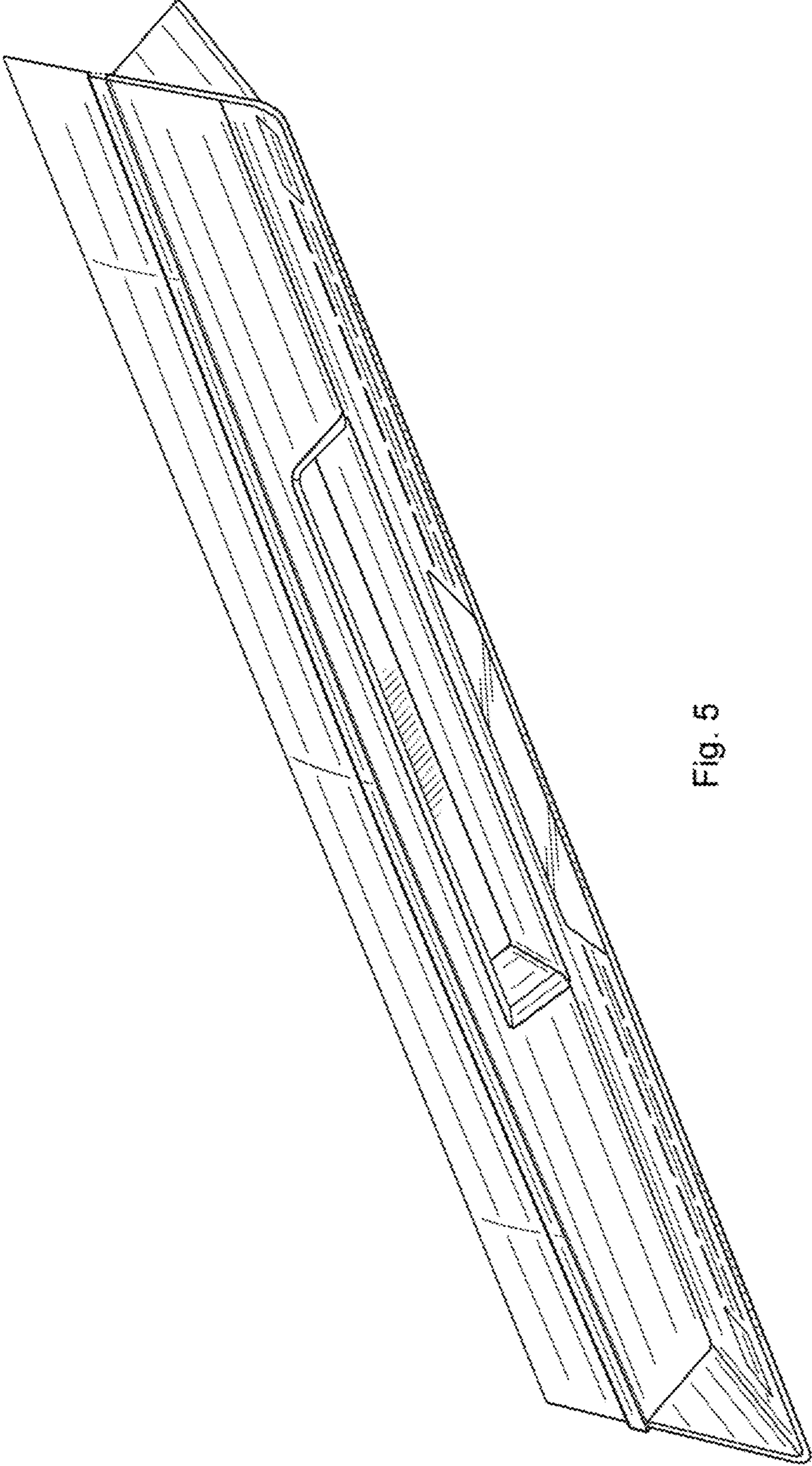


Fig. 5

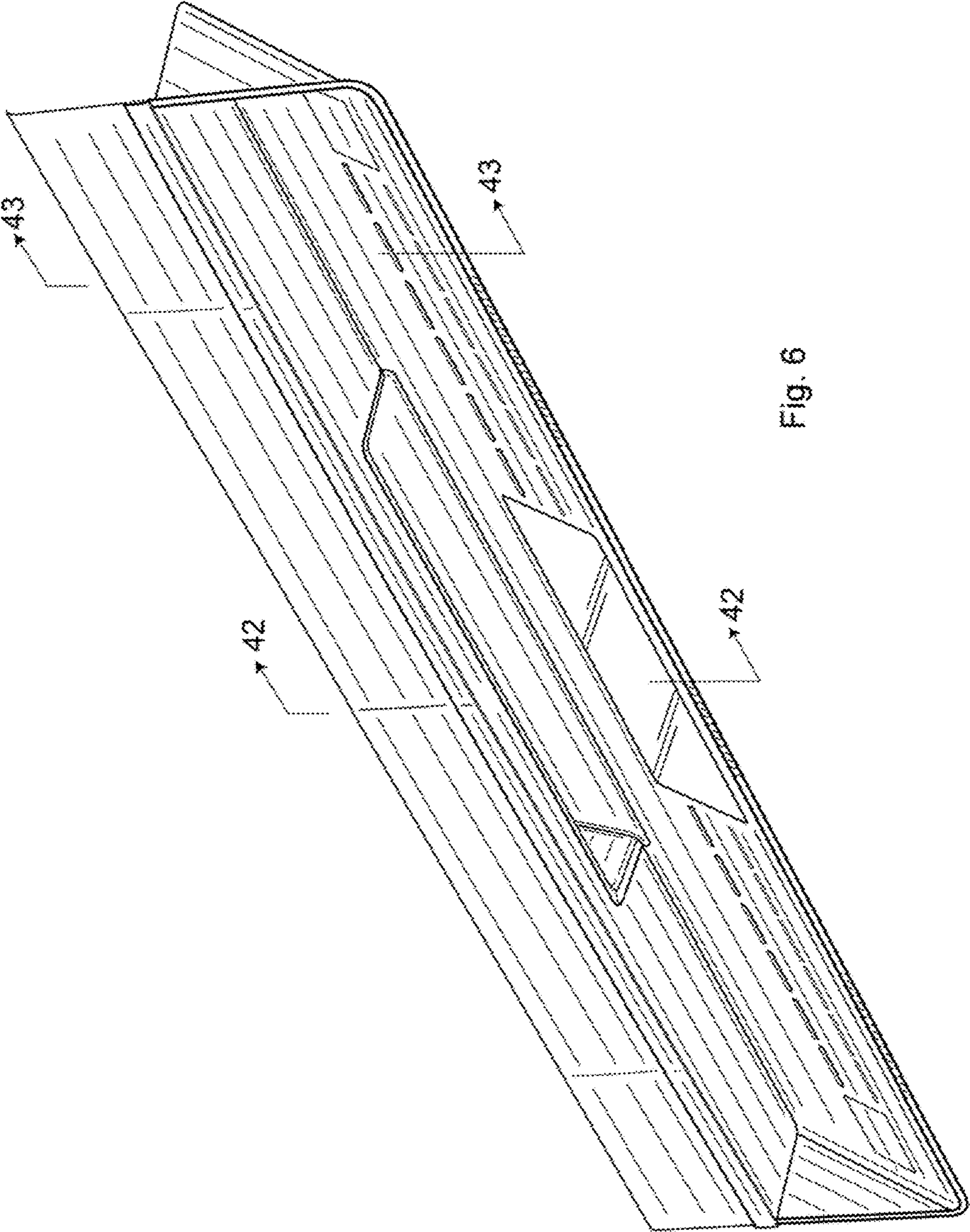


Fig. 6

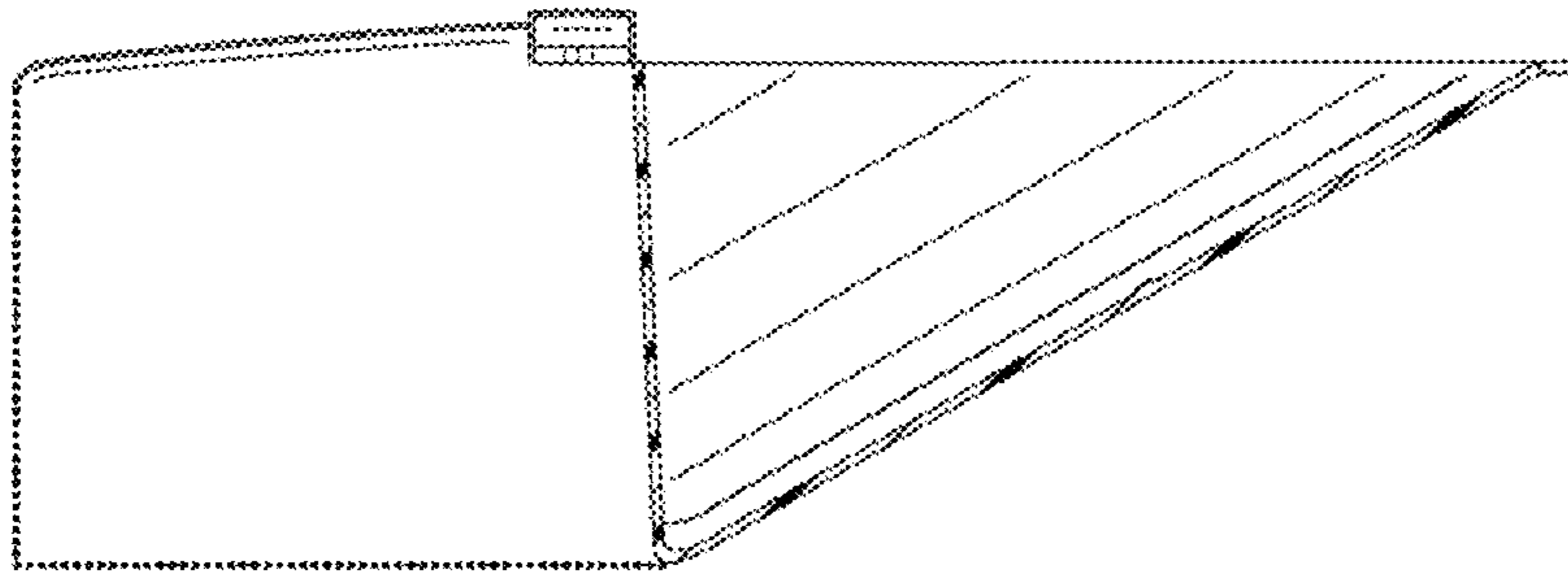


Fig. 7

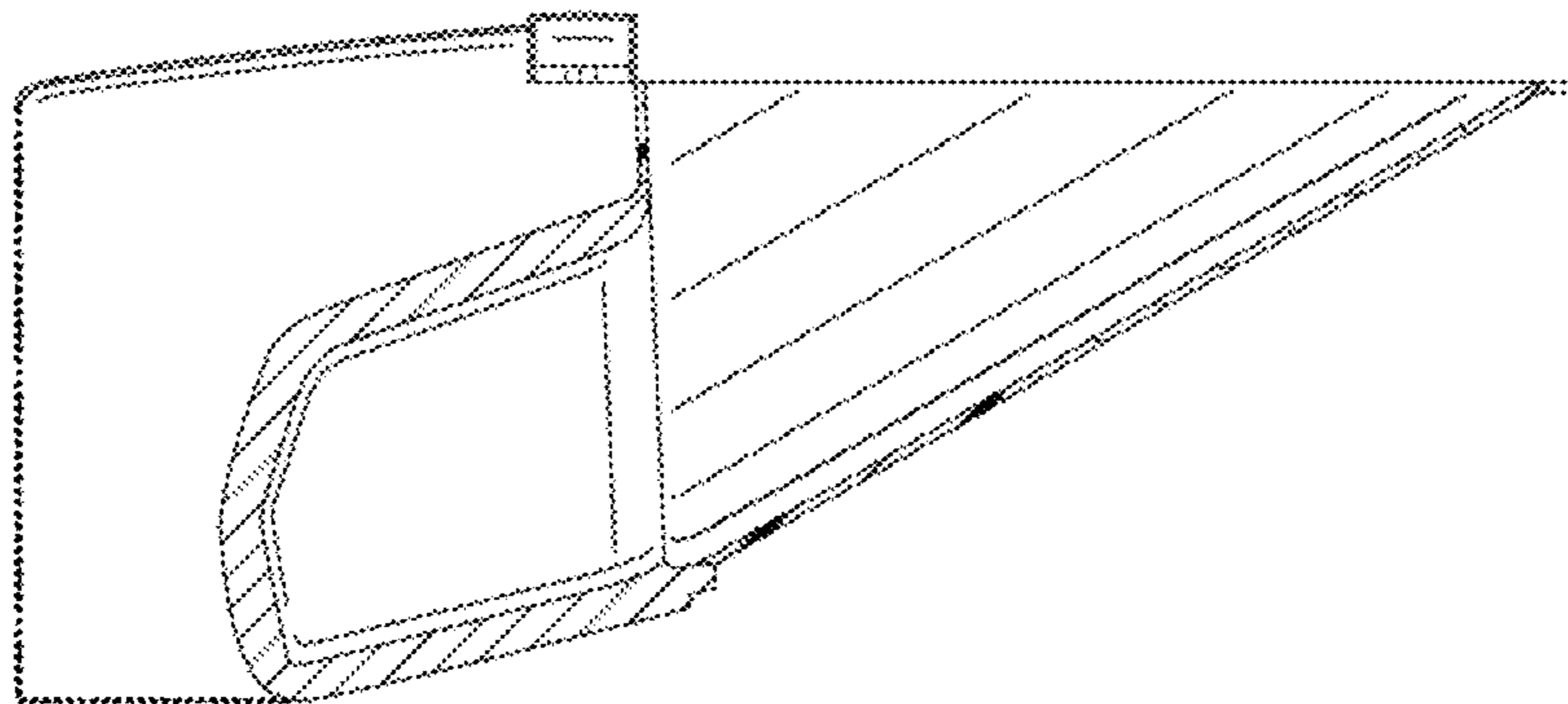


Fig. 8