



US00D778005S

(12) **United States Design Patent** (10) **Patent No.:** **US D778,005 S**
Yao (45) **Date of Patent:** **** Jan. 31, 2017**

(54) **ULTRASONIC CLEANER**
(71) Applicant: **ShenZhen Codyson Electrical Co., Ltd**, Shenzhen, Guangdong Province (CN)
(72) Inventor: **Xingyuan Yao**, Shenzhen (CN)
(**) Term: **14 Years**
(21) Appl. No.: **29/480,554**
(22) Filed: **Jan. 27, 2014**
(51) **LOC (10) Cl.** **15-05**
(52) **U.S. Cl.**
USPC **D32/1**
(58) **Field of Classification Search**
USPC . D32/1, 15, 16, 25; D7/605, 619.1; D3/218, D3/272, 273, 276, 29, 321, 279-81, 905; D24/185-187, 217; D13/169, 131, D13/162, 174, 176
CPC ... A47L 15/0086; A47L 15/0076; A47L 15/13
See application file for complete search history.

D453,624 S * 2/2002 Itzkovitch D3/276
D533,940 S * 12/2006 Hayamizu D24/138
D609,913 S * 2/2010 Landau D3/321
D634,982 S * 3/2011 Melchert et al. D7/605
D648,533 S * 11/2011 Sosnovsky D3/283
D658,376 S * 5/2012 Ahlstrom D3/294
D658,595 S * 5/2012 Harada et al. D13/169
D685,540 S * 7/2013 Yao D32/1
2010/0012538 A1* 1/2010 Brunner 206/373
2012/0012493 A1* 1/2012 Cleveland et al. 206/508

* cited by examiner

Primary Examiner — Michael A. Pratt
Assistant Examiner — Michelle E Wilson

(57) **CLAIM**

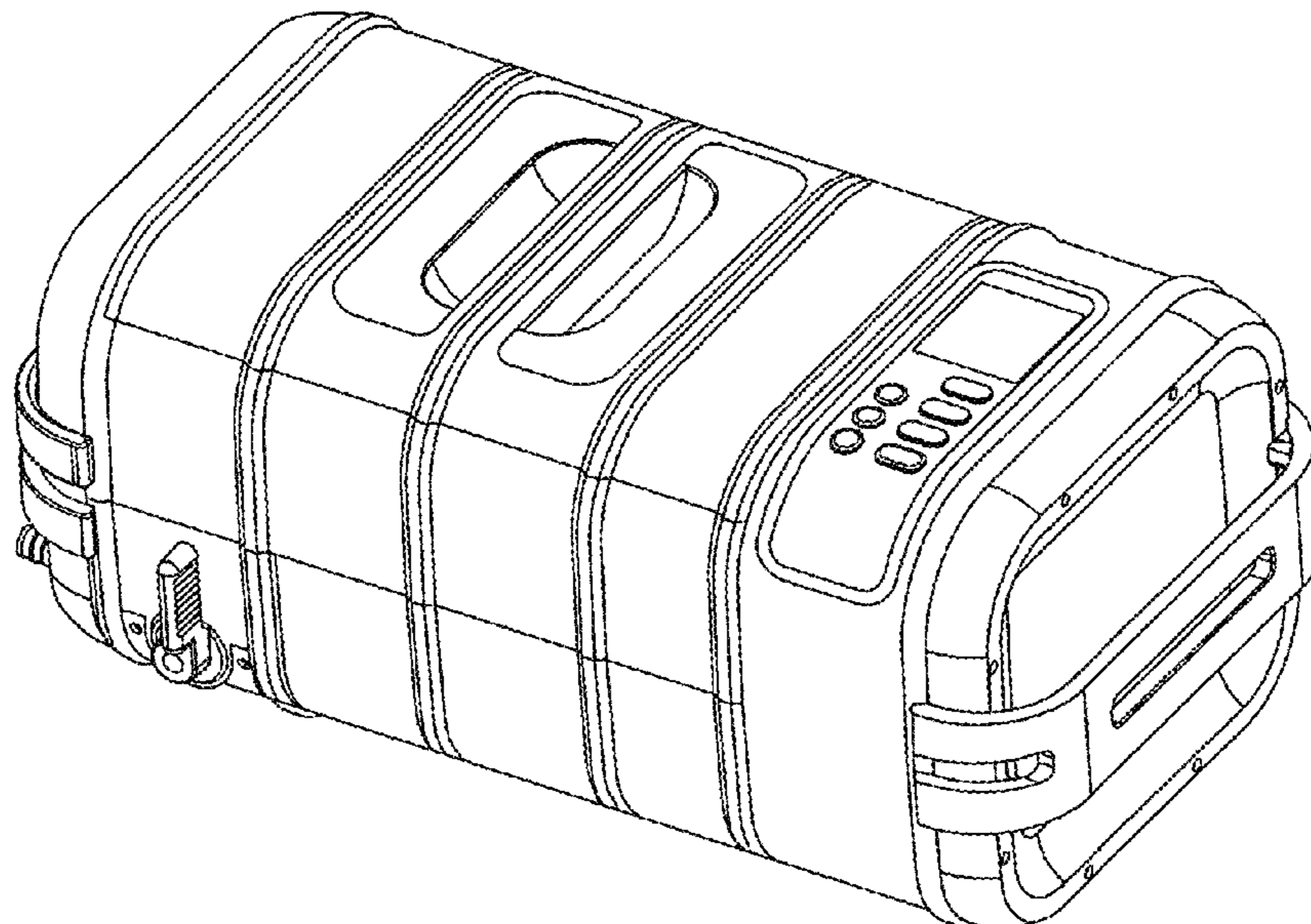
The ornamental design for an ultrasonic cleaner, as shown and described.

DESCRIPTION

FIG. 1 is a rear elevational view thereof, wherein the left bottom of rear view includes a switch showed as a rectangle and a socket showed as a three-circled part; FIG. 2 is a left side elevational view thereof; FIG. 3 is top plan view of the ultrasonic cleaner showing my new design; FIG. 4 is a right side elevational view thereof; FIG. 5 is a front elevational view thereof; FIG. 6 is a bottom plan view thereof, wherein the bottom includes a label recess showed as a rectangle in the middle of the bottom and six grommets showed as six circles; FIG. 7 is a perspective view projecting toward the front thereof; FIG. 8 is a blown up view of a part of FIG. 6 thereof; and, FIG. 9 is a perspective view projecting toward the rear thereof.

1 Claim, 9 Drawing Sheets

(56) **References Cited**
U.S. PATENT DOCUMENTS
D183,777 S * 10/1958 Weiss D3/280
D229,220 S * 11/1973 Pulos D24/217
D232,798 S * 9/1974 Roche D7/605
D248,090 S * 6/1978 Box D7/615
D266,183 S * 9/1982 Snow D22/136
D269,810 S * 7/1983 Mace et al. D24/186
D335,960 S * 6/1993 Kahl et al. D7/709
5,219,446 A * 6/1993 Klepac 362/154
D341,450 S * 11/1993 Tinius D32/15
D351,318 S * 10/1994 Wedi D7/605
D354,292 S * 1/1995 Monti D15/80
D372,843 S * 8/1996 Trent et al. D7/605
5,658,316 A * 8/1997 Lamond et al. 607/5



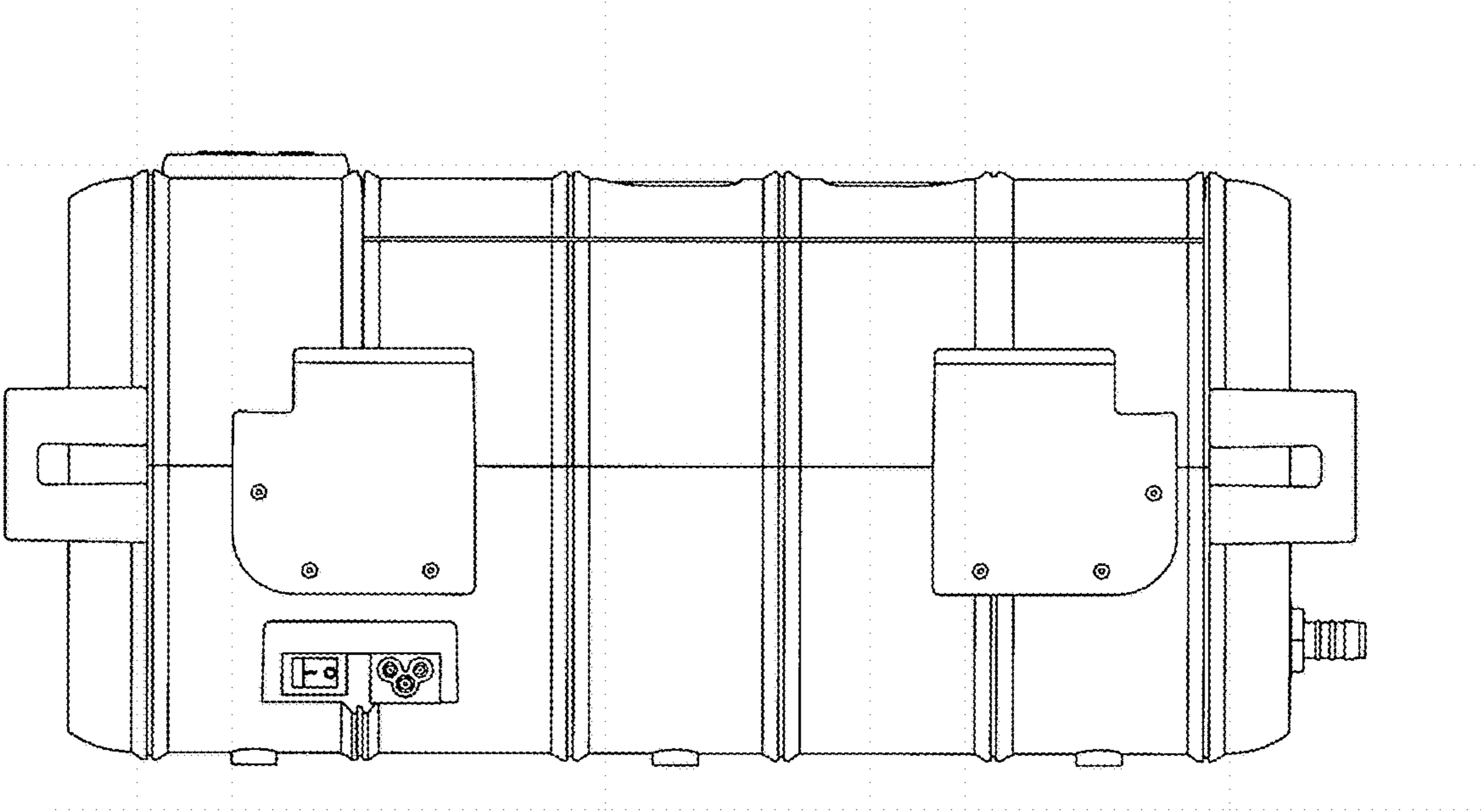


Fig. 1

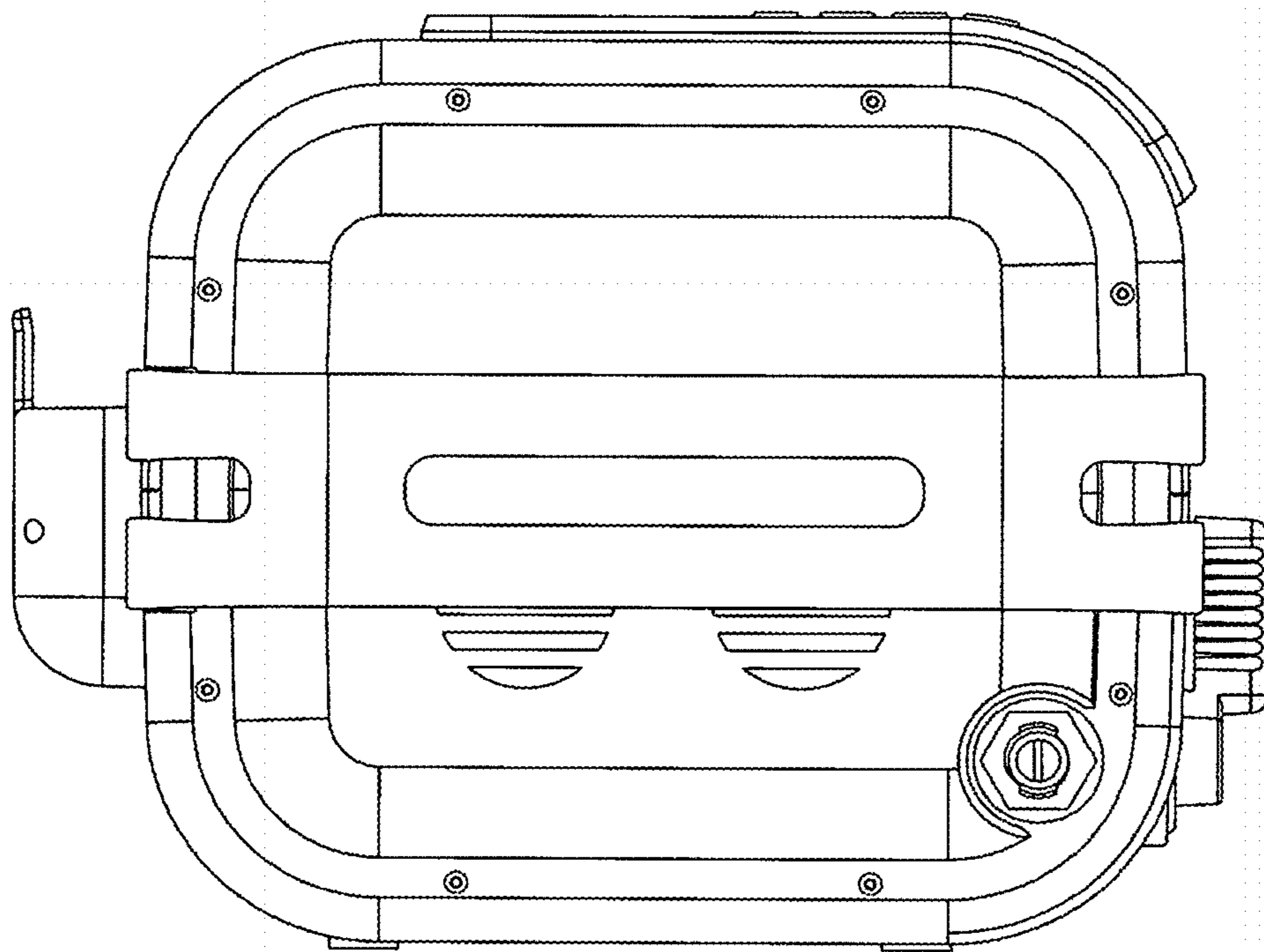


Fig. 2

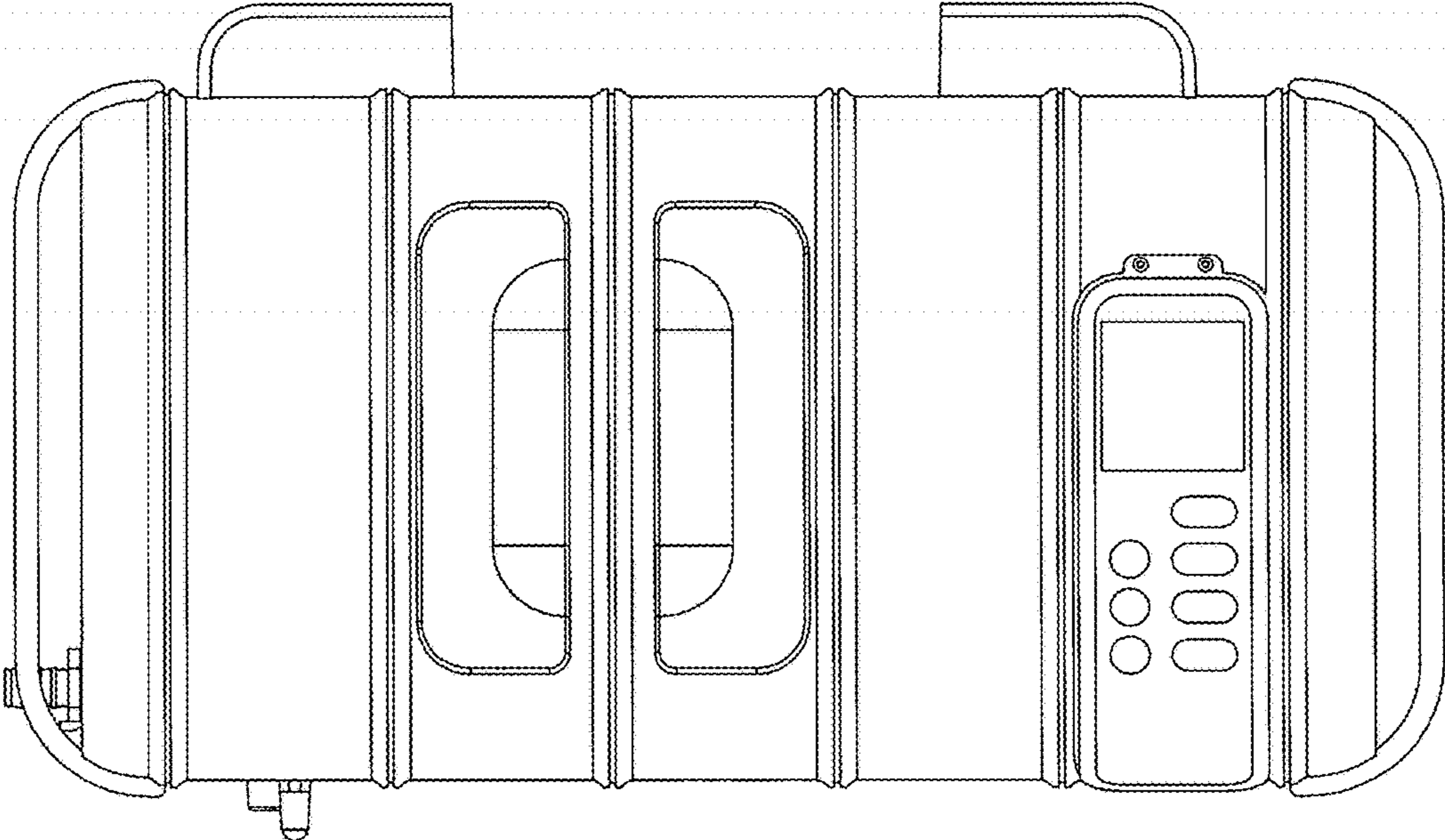


Fig. 3

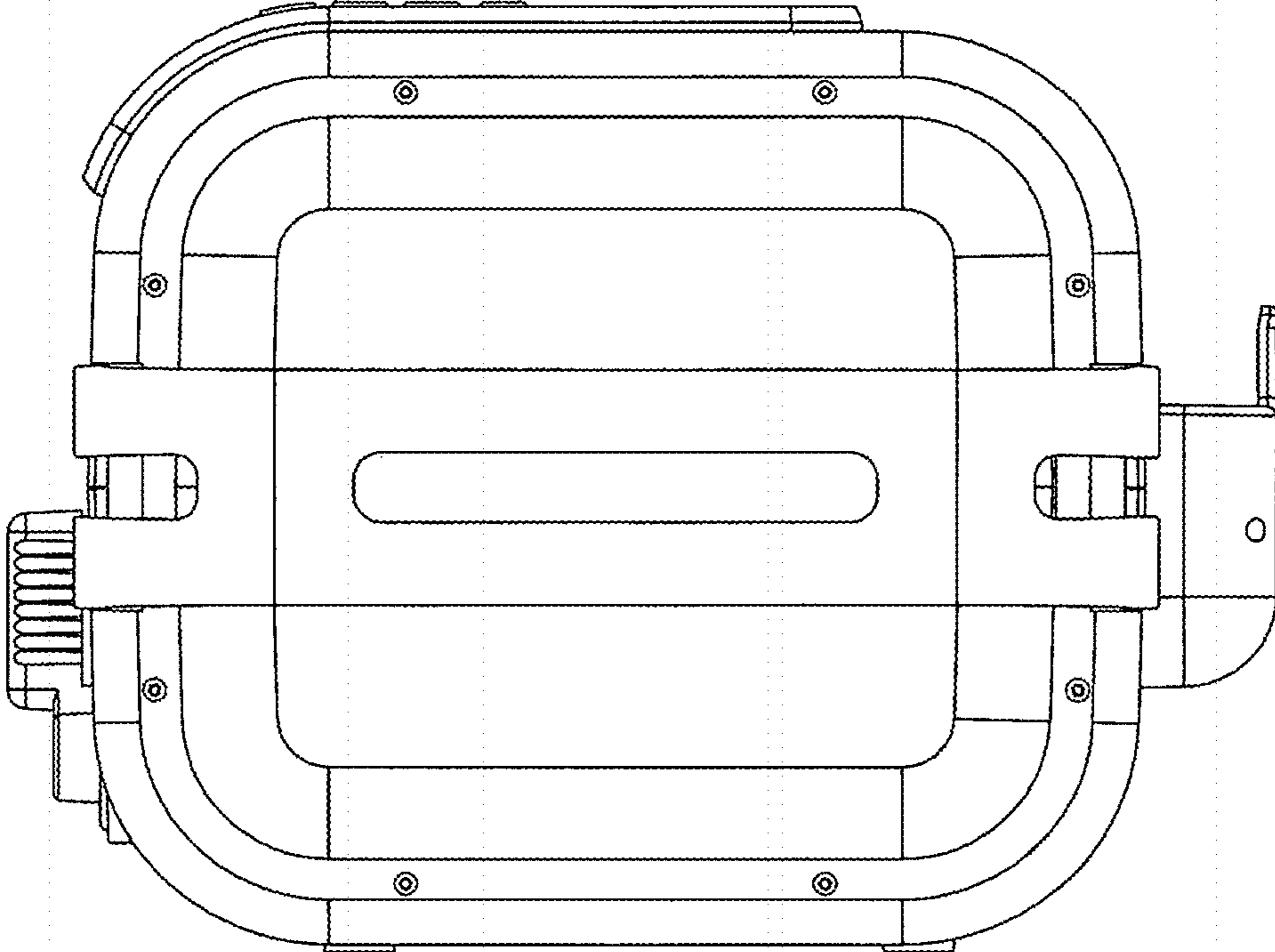


Fig. 4

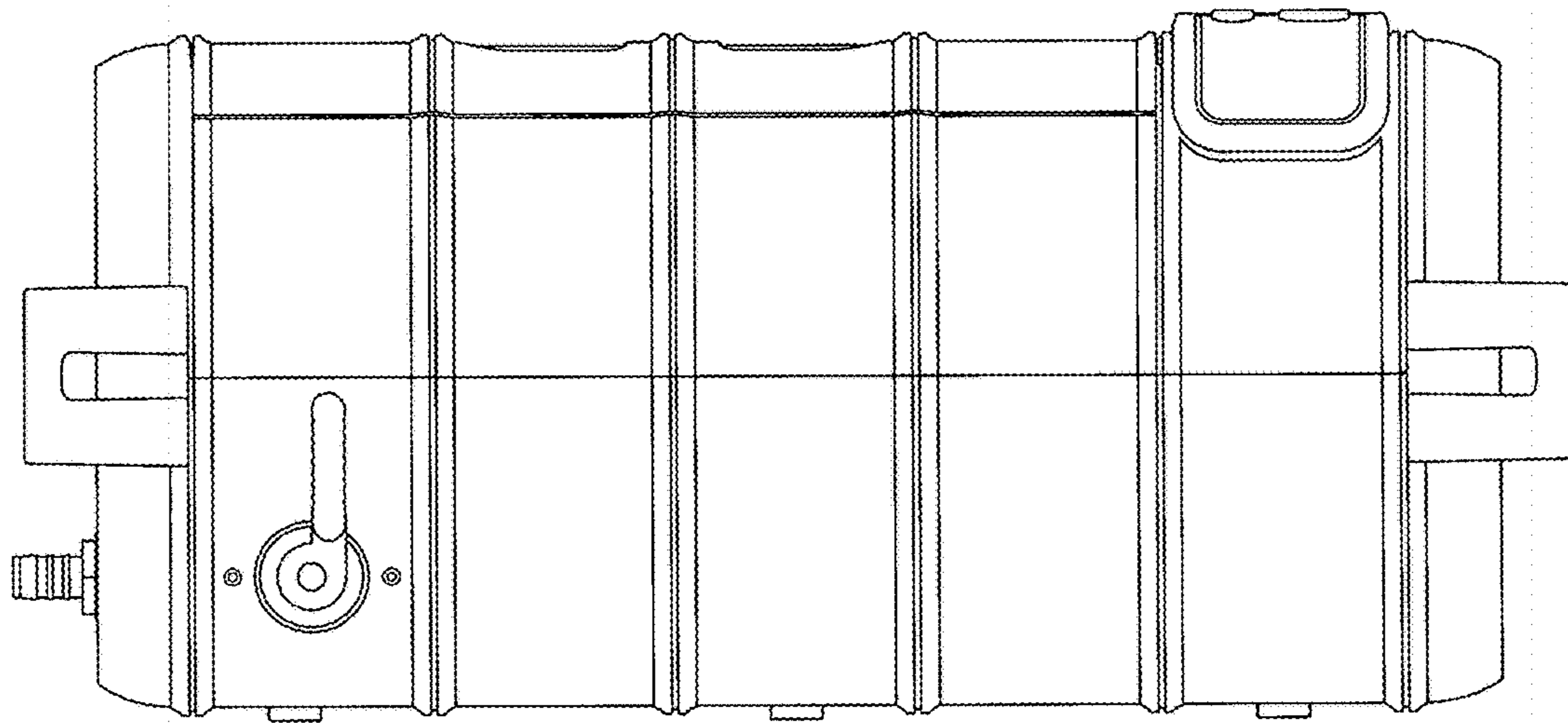


Fig. 5

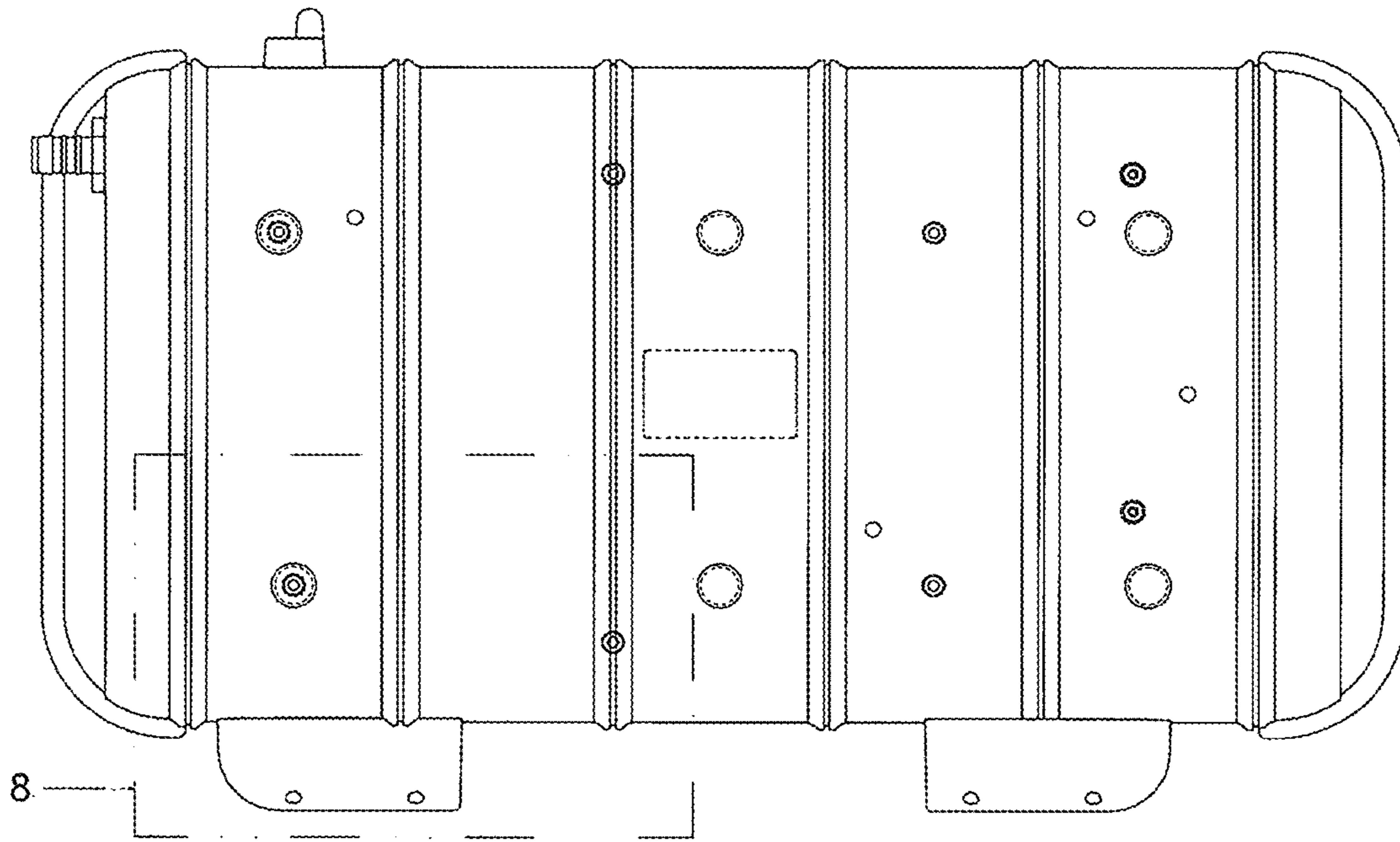


Fig. 6

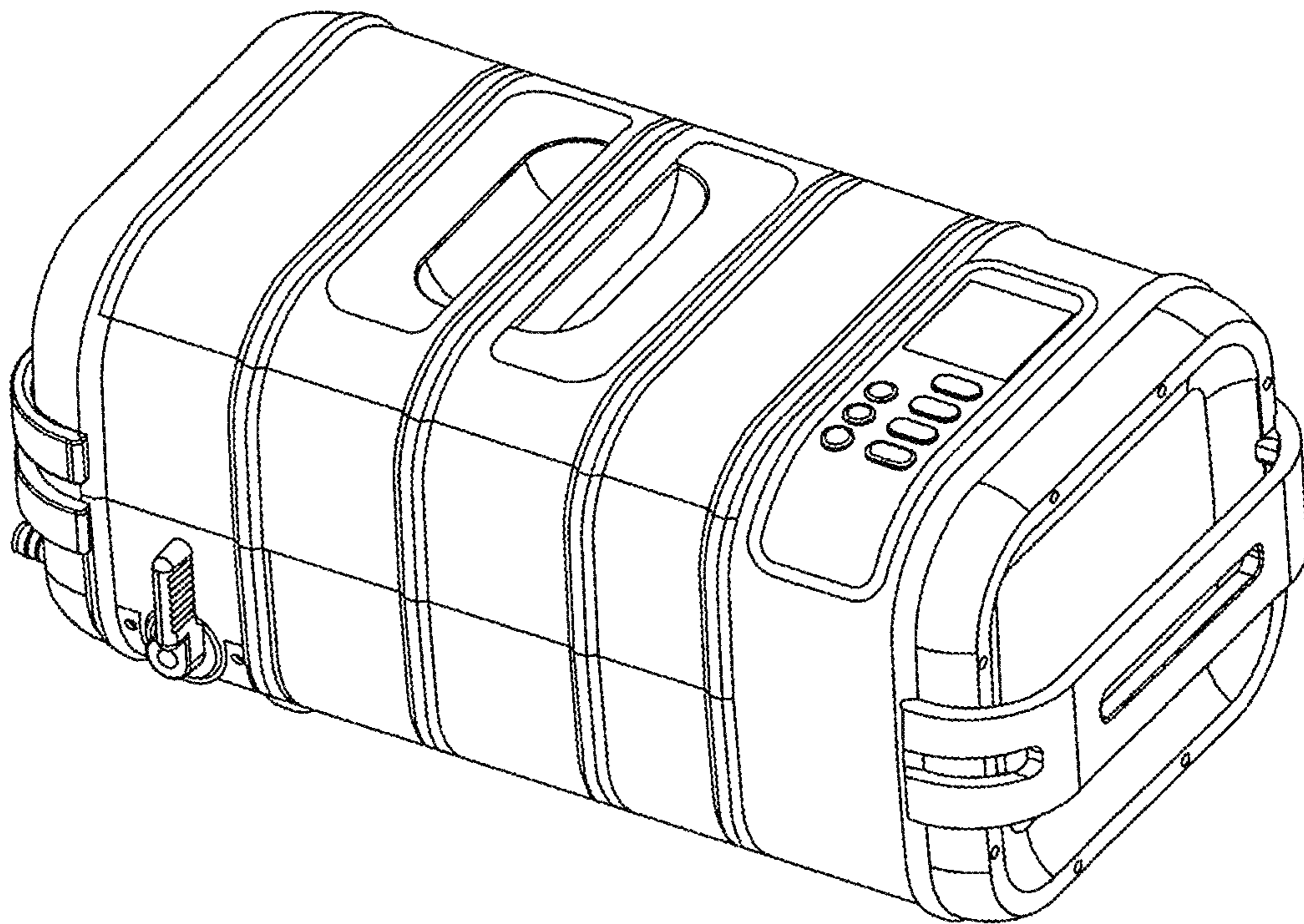


Fig. 7

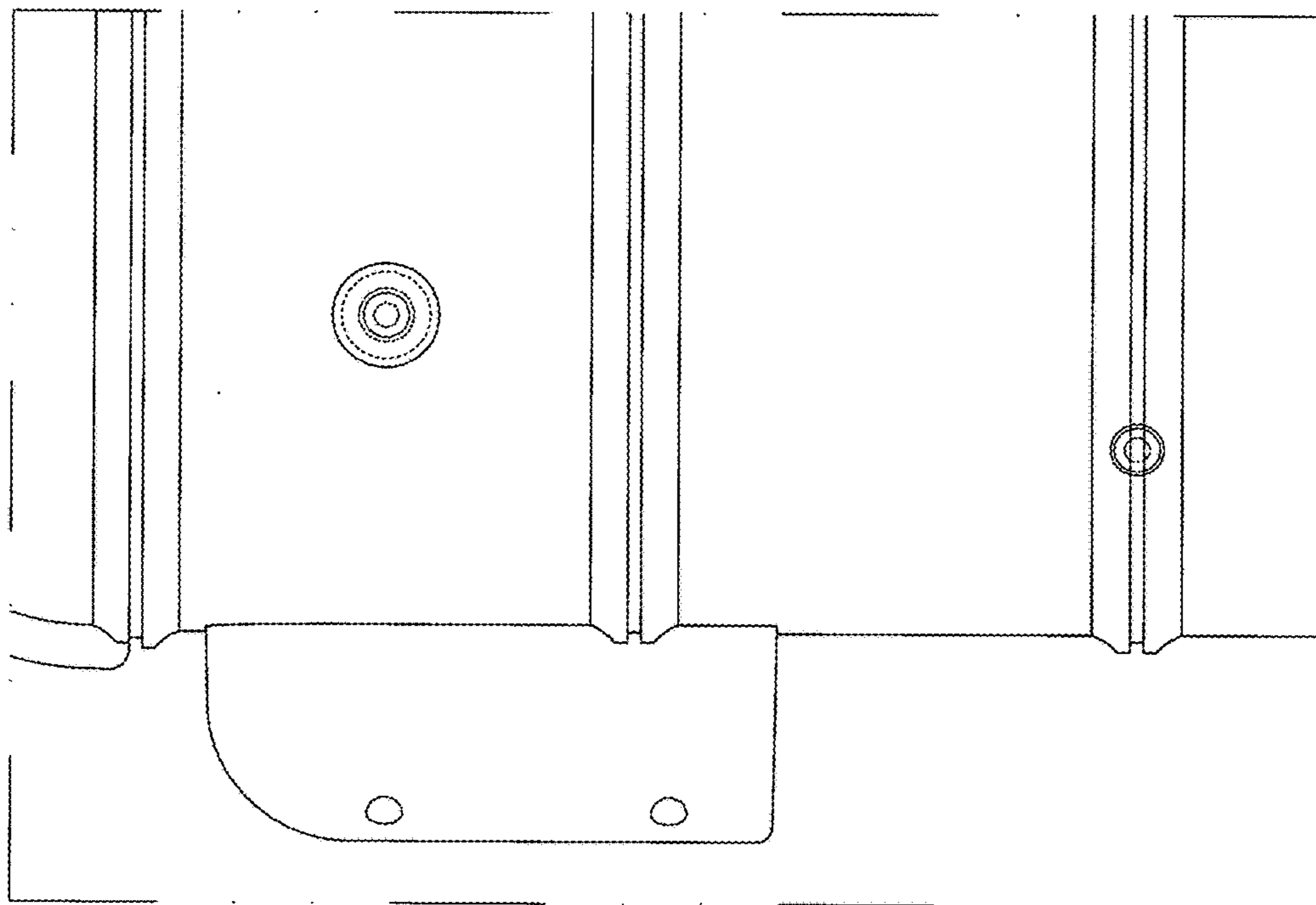


Fig. 8

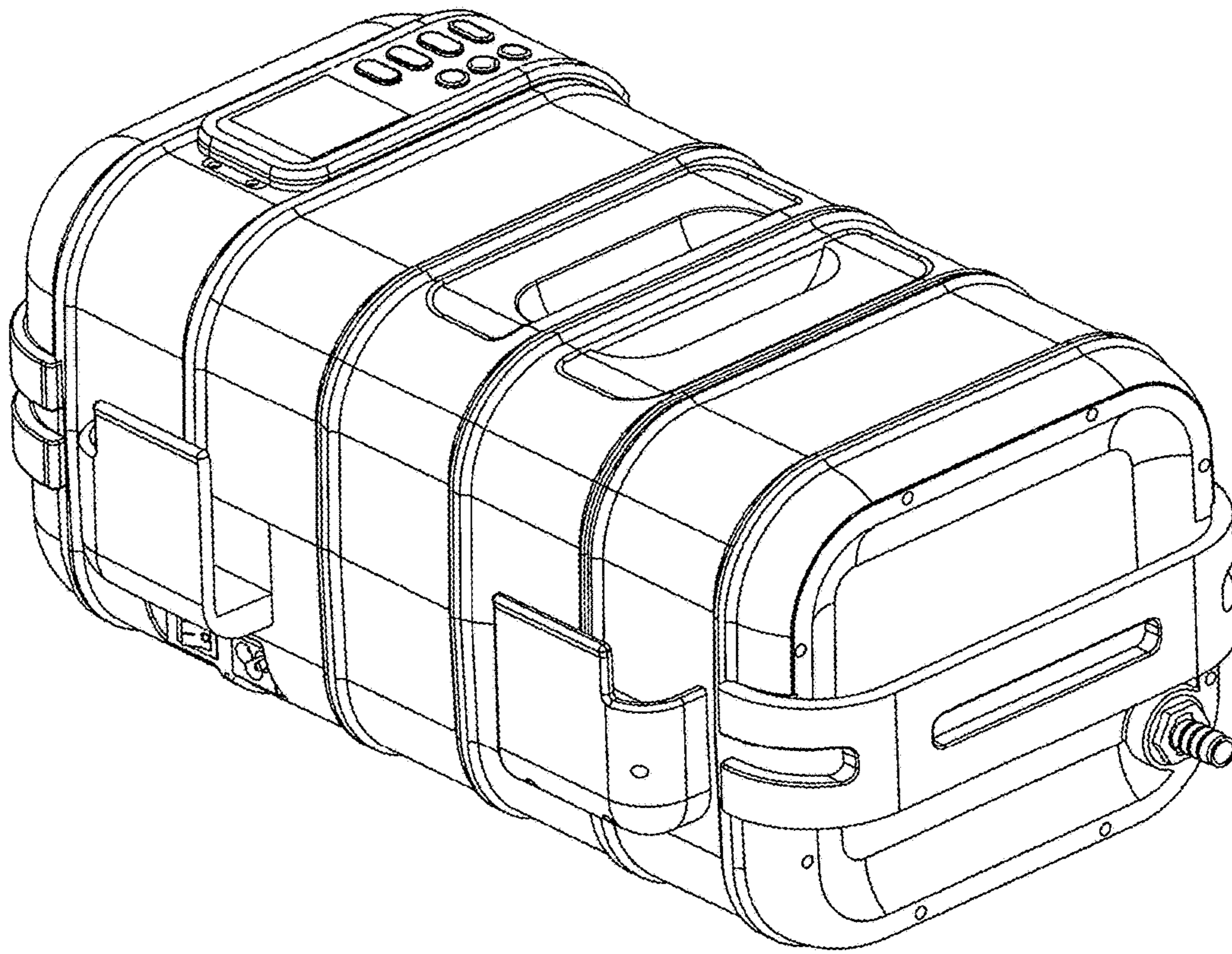


Fig. 9