



US00D778003S

(12) **United States Design Patent**
Rangel

(10) **Patent No.:** **US D778,003 S**

(45) **Date of Patent:** **** Jan. 31, 2017**

(54) **SCOOPER**

(71) Applicant: **Arthur Rangel**, Topeka, KS (US)

(72) Inventor: **Arthur Rangel**, Topeka, KS (US)

(**) Term: **14 Years**

(21) Appl. No.: **29/501,178**

(22) Filed: **Sep. 2, 2014**

(51) **LOC (10) Cl.** **30-99**

(52) **U.S. Cl.**
USPC **D30/162**

(58) **Field of Classification Search**

USPC D30/161, 162, 199, 158; D7/667,
D7/669-670, 681, 691, 688; D8/10, 1, 4,
D8/13, 395; 294/1.3, 1.4, 1.5, 9, 28, 49,
294/50.8, 54.5, 55, 19.2-19.3, 22, 23,
294/23.5, 24; D32/74, 38; 119/61.56, 161,
119/867; 15/357.1, 257.6; 209/418-419
CPC A01K 23/005; A01K 1/0114; A01K 1/01;
B07B 1/02; F24B 15/08; F24B
15/00; E01H 2001/1293; E01H
1/1206; E01H 2001/1266; A01D 9/00

See application file for complete search history.

(56) **References Cited**

U.S. PATENT DOCUMENTS

D230,868 S *	3/1974	Dorzan	D30/162
D253,915 S *	1/1980	Hennessy	D30/162
D259,293 S *	5/1981	Cooper	D30/162
D314,254 S *	1/1991	Gordon	294/1.3
D332,675 S *	1/1993	Simon	294/1.3
5,186,506 A *	2/1993	Gale	E01H 1/1206 294/1.3
D351,265 S *	10/1994	Pierce	15/257.6
5,359,840 A *	11/1994	Costar	A01D 51/00 172/378
D368,003 S *	3/1996	Simon	D30/162
5,503,442 A *	4/1996	Lee	E01H 1/1206 294/1.4

5,536,055 A *	7/1996	Kohn	A01K 1/0114 209/418
5,601,321 A *	2/1997	Simon	E01H 1/1206 294/1.4
5,667,264 A *	9/1997	Tanahara	E01H 1/1206 15/257.6
7,188,878 B1 *	3/2007	Kraus	E01H 1/1206 248/101
7,448,659 B1 *	11/2008	Auseklis	E01H 1/1206 294/1.4
D622,584 S *	8/2010	Byron	D8/395
D623,492 S *	9/2010	James	D30/162
8,011,705 B1 *	9/2011	Holbrook	E01H 1/1206 294/1.4
8,292,339 B1 *	10/2012	Auseklis	E01H 1/1206 294/1.4
D676,201 S *	2/2013	Browne	D30/162
8,714,604 B1 *	5/2014	Mihalic	E01H 1/1206 294/1.4
8,939,481 B1 *	1/2015	Qi	E01H 1/1206 294/1.4

(Continued)

Primary Examiner — Ian Simmons

Assistant Examiner — Shannon Morgan

(74) *Attorney, Agent, or Firm* — Intellectual Property Center, LLC; Arthur K. Shaffer

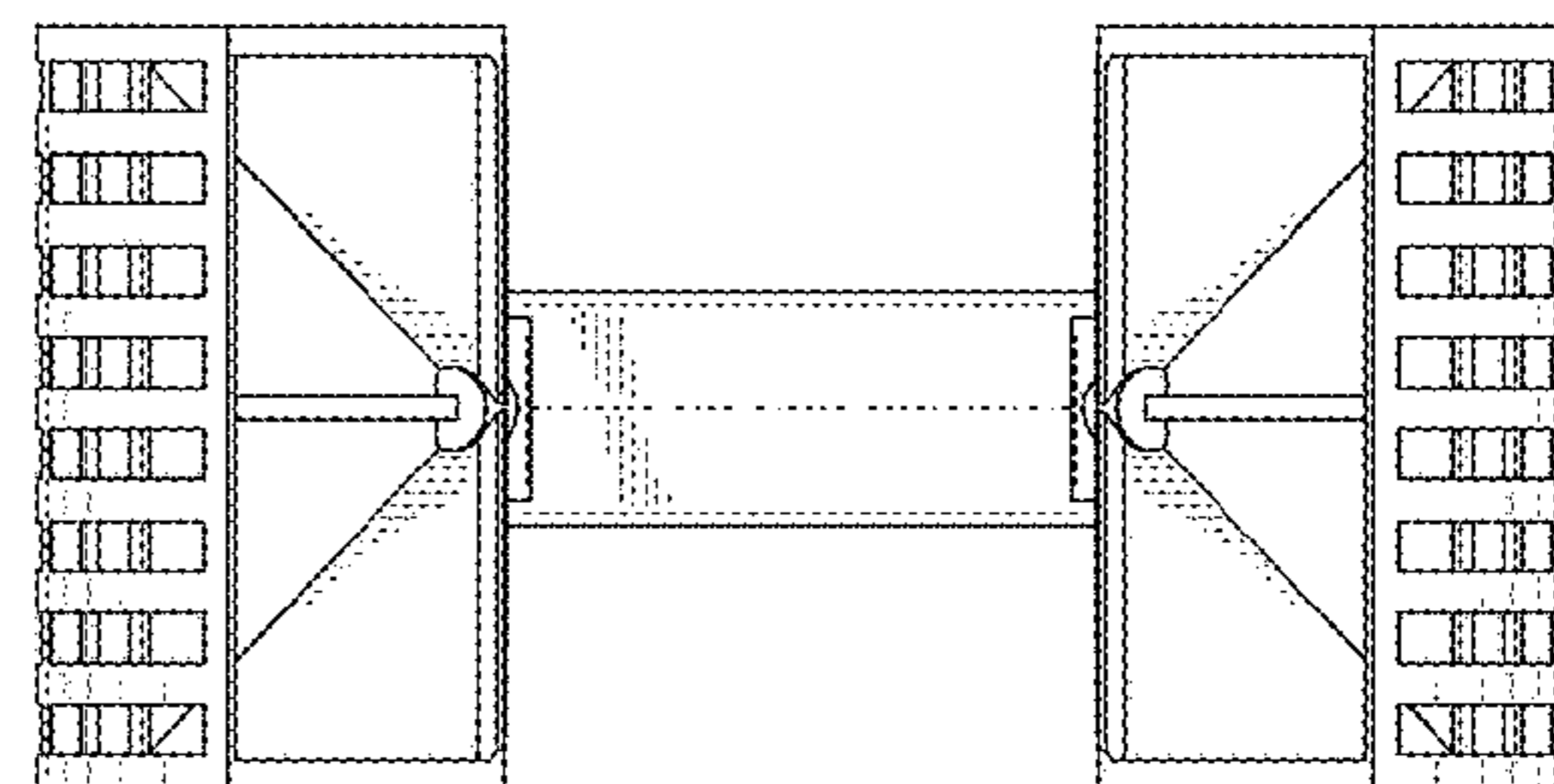
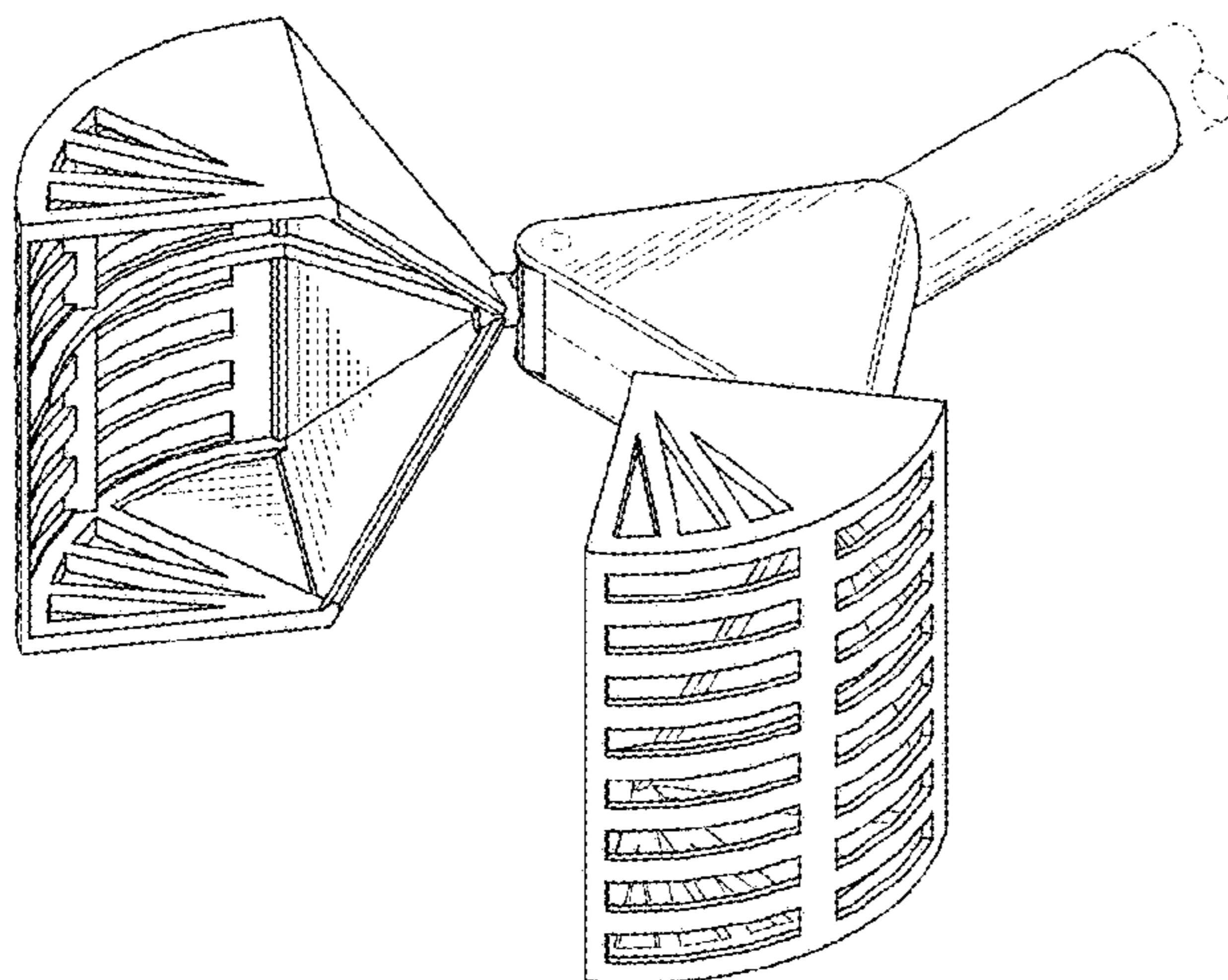
(57) **CLAIM**

The ornamental design for a scooper, as shown and described.

DESCRIPTION

FIG. 1 is a left side perspective view of a scooper in accordance with the present invention; FIG. 2 is a top elevation thereof; FIG. 3 is a right side elevational view thereof; FIG. 4 is a front elevational view thereof; and, FIG. 5 is a rear elevational view thereof. The broken lines shown in FIGS. 1-5 represent portions of the scooper that form no part of the claimed design.

1 Claim, 4 Drawing Sheets



(56)

References Cited

U.S. PATENT DOCUMENTS

2004/0130169 A1* 7/2004 Askingsi E01H 1/1206
294/1.4

2005/0218675 A1* 10/2005 Jung E01H 1/1206
294/1.4

2007/0132258 A1* 6/2007 Renny E01H 1/12
294/118

2007/0267333 A1* 11/2007 Delman A01K 1/0114
209/418

2008/0030033 A1* 2/2008 Taylor E01H 1/1206
294/1.4

2008/0042456 A1* 2/2008 Patel E01H 1/1206
294/1.3

2008/0265592 A1* 10/2008 Askinasi E01H 1/1206
294/1.4

2008/0303295 A1* 12/2008 Moreno Fernandez De
Betono 294/1.3

2009/0045639 A1* 2/2009 Shalhoub A01K 23/005
294/1.5

2009/0058115 A1* 3/2009 Freedman A01K 1/0114
294/177

2012/0274089 A1* 11/2012 Green E01H 1/1206
294/1.4

2012/0292933 A1* 11/2012 Krupp E01H 1/1206
294/1.4

2015/0042112 A1* 2/2015 Briski E01H 1/1206
294/1.4

* cited by examiner

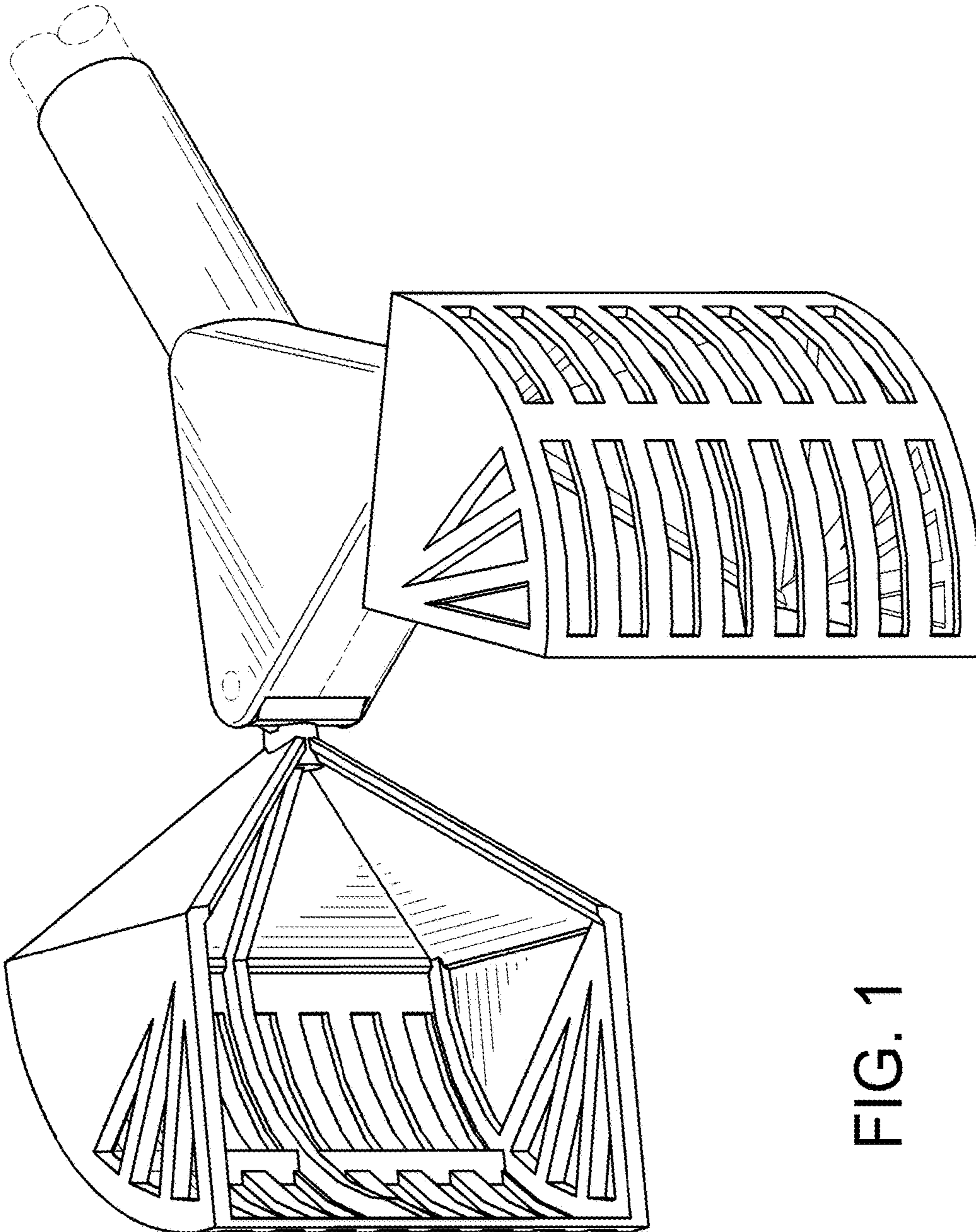


FIG. 1

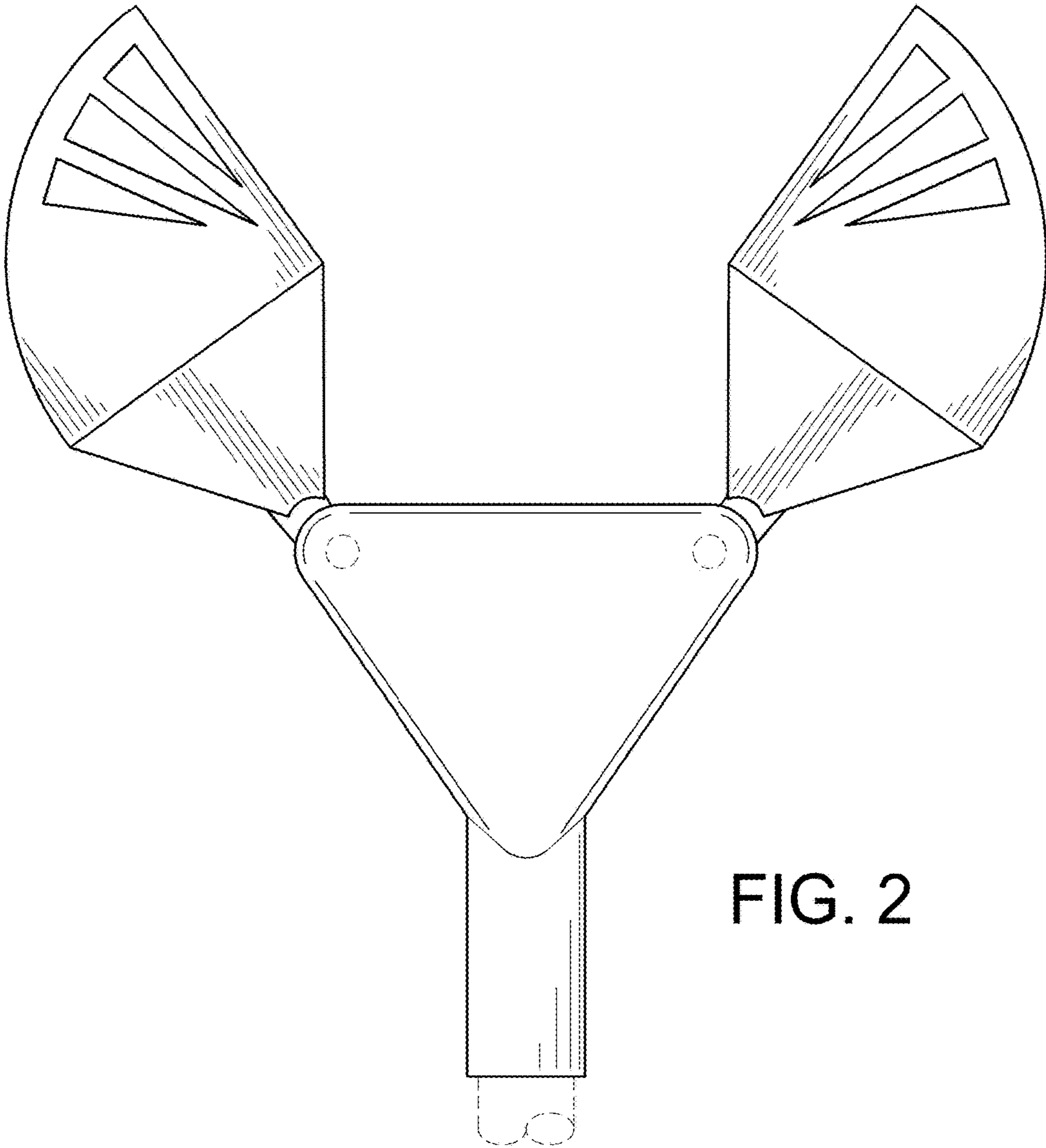


FIG. 2

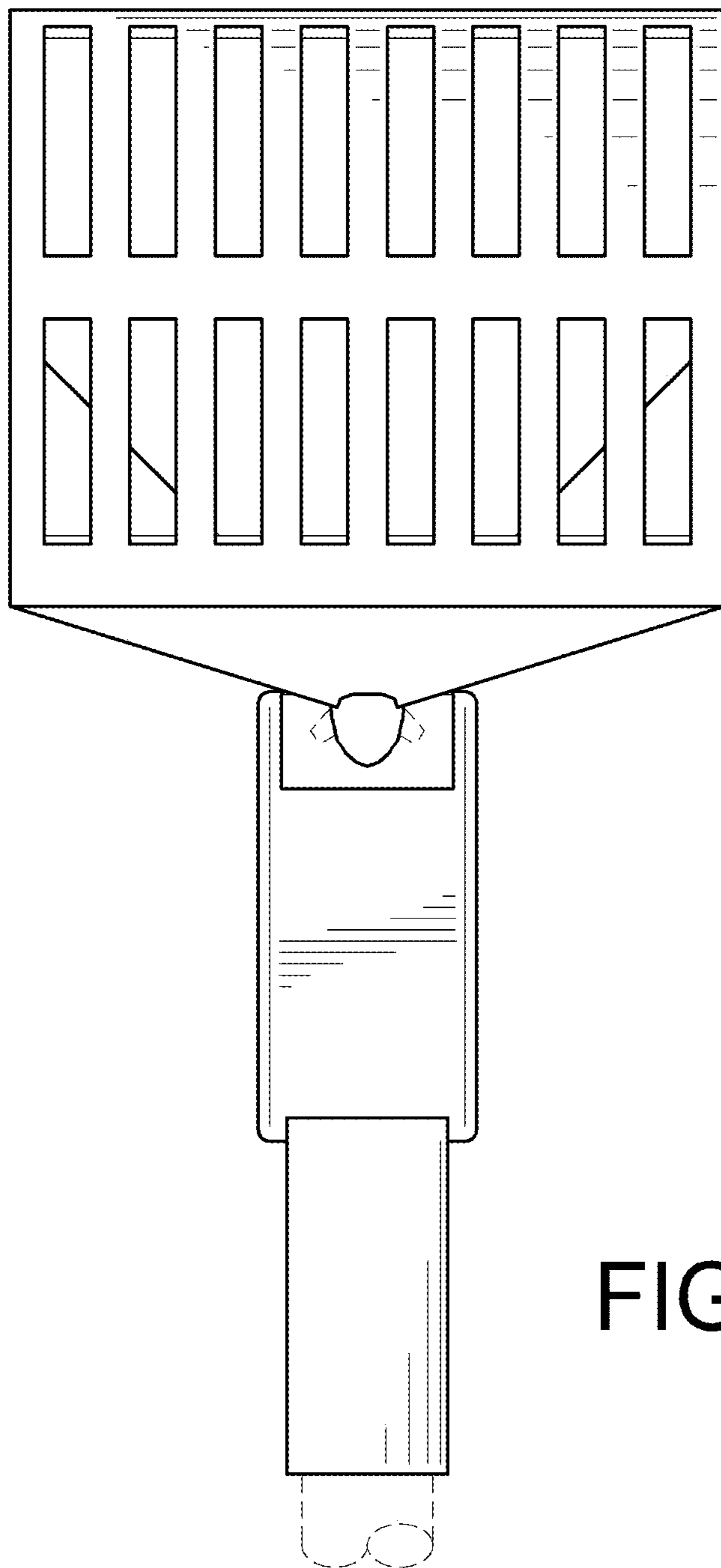


FIG. 3

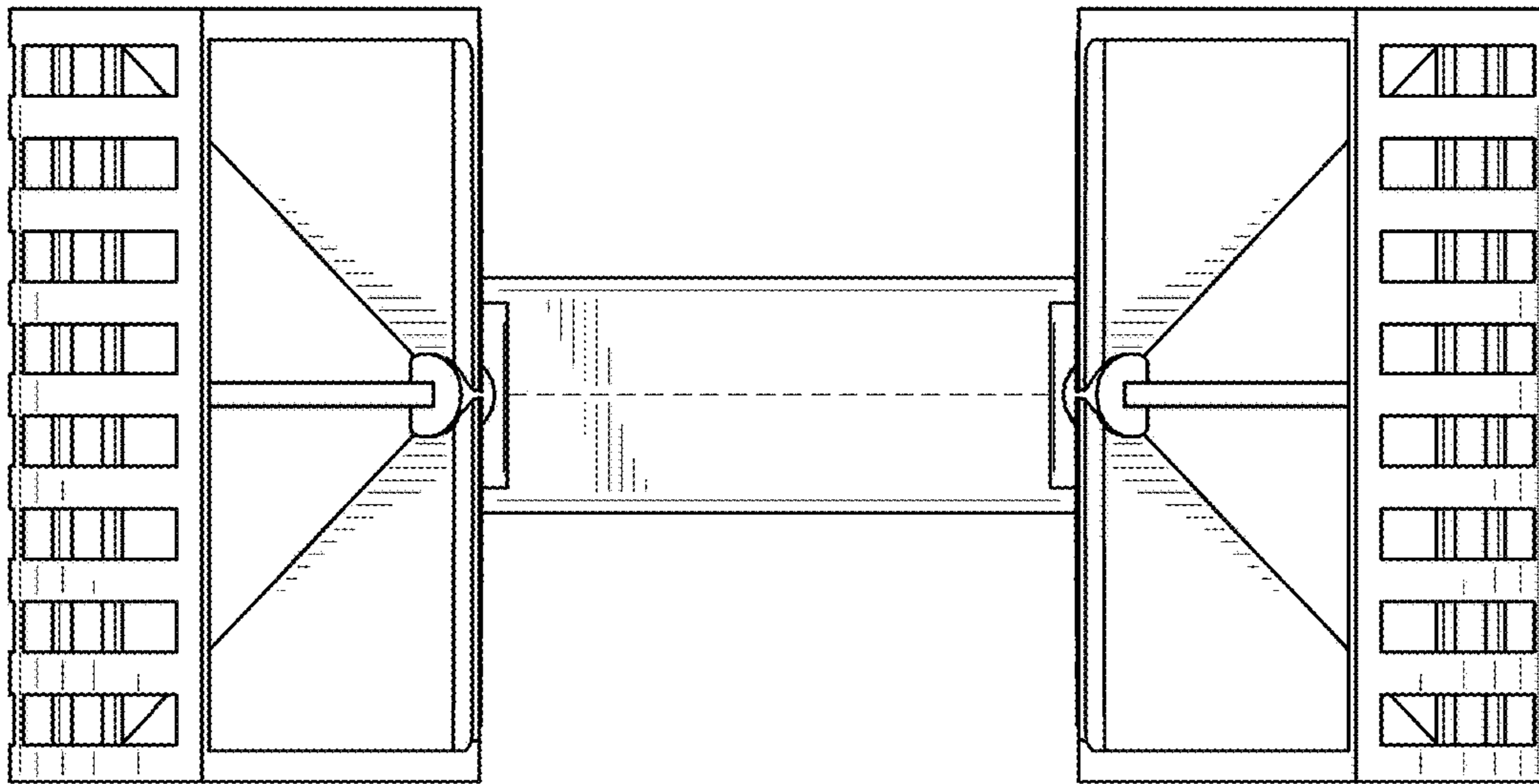


FIG. 4

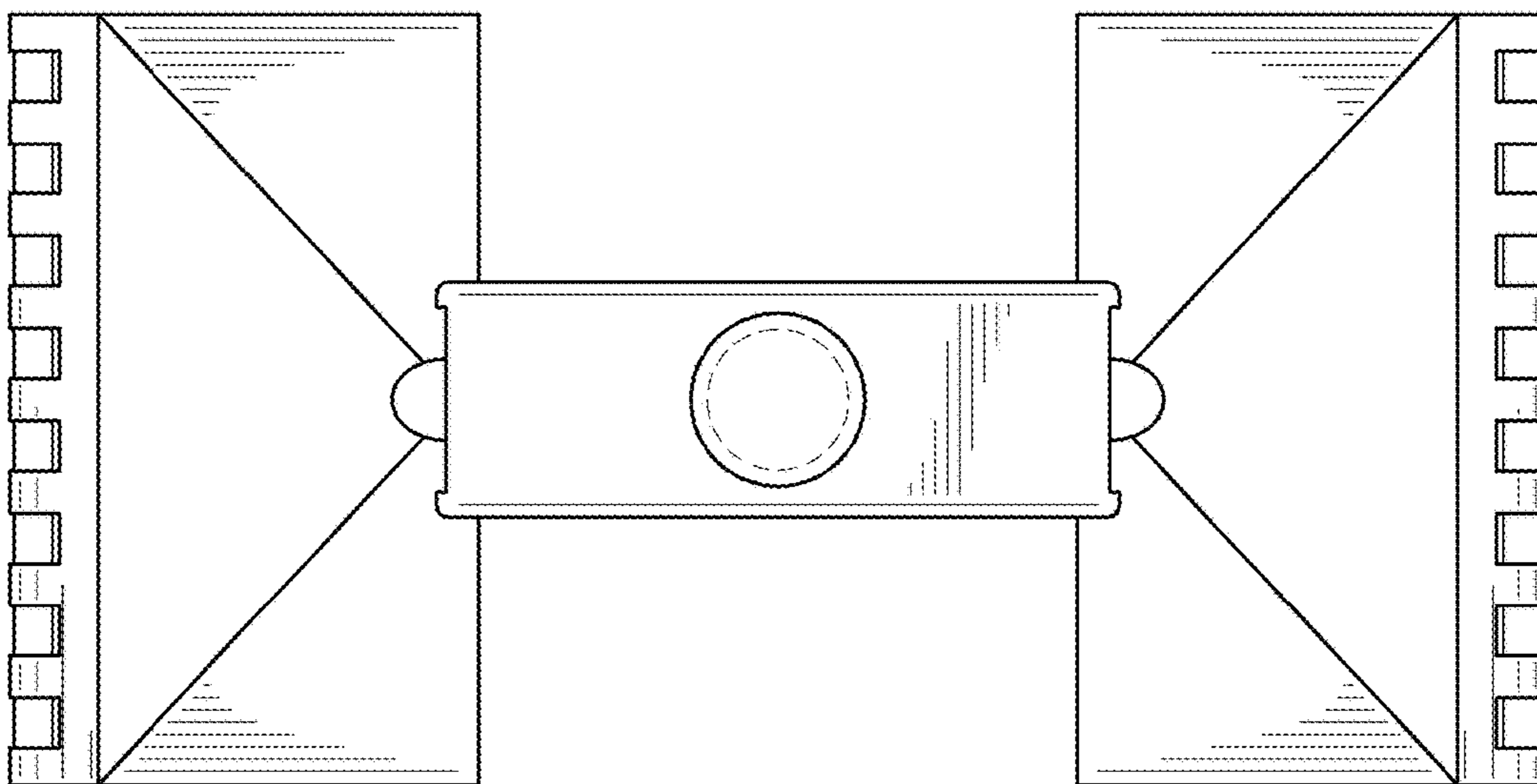


FIG. 5