



US00D778000S

(12) **United States Design Patent**  
**Byrne**

(10) **Patent No.:** **US D778,000 S**  
(45) **Date of Patent:** **\*\* Jan. 31, 2017**

(54) **TIRE ROPE PET TOY**

(71) Applicant: **C.B. Worldwide, Inc.**, Mammoth  
Lakes, CA (US)

(72) Inventor: **Charles A. Byrne**, Mammoth Lakes,  
CA (US)

(73) Assignee: **C.B. Worldwide, Inc.**, Mammoth  
Lakes, CA (US)

(\*\*) Term: **15 Years**

(21) Appl. No.: **29/535,349**

(22) Filed: **Aug. 5, 2015**

(51) **LOC (10) Cl.** ..... **30-99**

(52) **U.S. Cl.**  
USPC ..... **D30/160**

(58) **Field of Classification Search**  
USPC ..... D30/160; D24/211-212; D21/405-406,  
D21/662, 684; 119/706  
CPC .. A01K 15/024; A01K 15/025; A01K 15/026;  
A01K 15/027; A01K 15/00; A01K 15/02  
See application file for complete search history.

(56) **References Cited**

**U.S. PATENT DOCUMENTS**

D297,852 S \* 9/1988 Gullickson ..... D21/623  
D514,753 S \* 2/2006 Crane ..... D30/160  
D544,653 S \* 6/2007 Bryne ..... D30/160  
D657,234 S \* 4/2012 Herman ..... D8/382

D712,601 S \* 9/2014 Byrne ..... D30/160  
D718,501 S \* 11/2014 Byrne ..... D30/160  
D743,638 S \* 11/2015 Byrne ..... D30/160  
D747,834 S \* 1/2016 Byrne ..... D30/160

**OTHER PUBLICATIONS**

Mammoth Pet Products catalog; rec'd May 2008; p. 1; Pawtrack  
with Rope #31001 F—#31004F—#31010F—#31016F; from  
Design Library.\*  
Mammoth Pet Products catalog; rec'd May 2008; p. 2; Color  
Pawtrack with Rope #32001 F—#32004F—#32010F—#32016F.\*

\* cited by examiner

*Primary Examiner* — Cathy Anne MacCormac

(74) *Attorney, Agent, or Firm* — Hackler Daghighian  
Martino & Novak

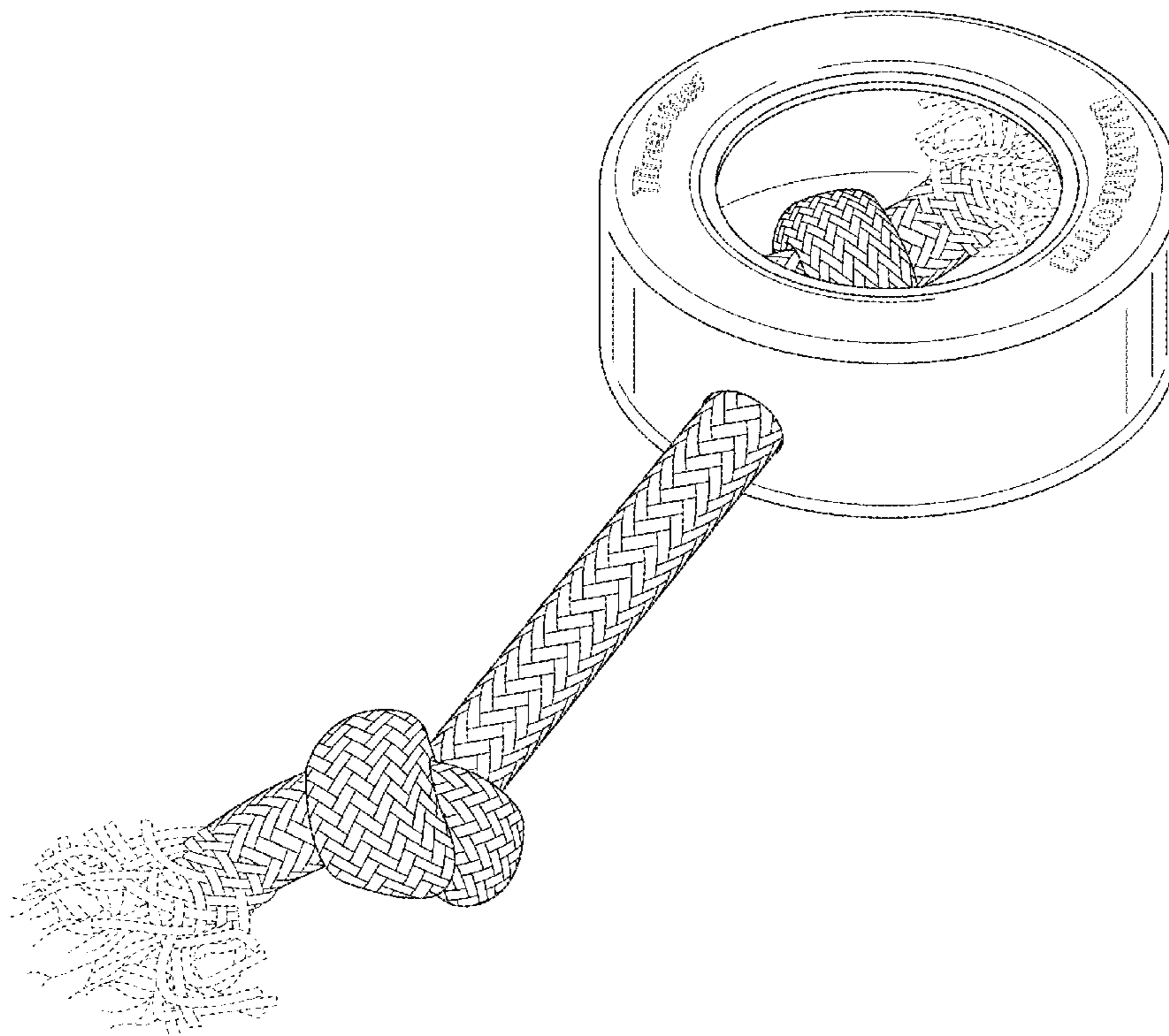
(57) **CLAIM**

The ornamental design for a tire rope pet toy, as shown and  
described.

**DESCRIPTION**

FIG. 1 is a perspective view of a tire rope pet toy embodying  
my new design;  
FIG. 2 is a front elevation view of FIG. 1;  
FIG. 3 is a rear elevation view of FIG. 1;  
FIG. 4 is a right side elevation view of FIG. 1;  
FIG. 5 is a left side elevation view of FIG. 1;  
FIG. 6 is a top plan view of FIG. 1; and,  
FIG. 7 is a bottom plan view of FIG. 1.  
The broken lines depict environmental subject matter and  
form no part of the claimed design.

**1 Claim, 3 Drawing Sheets**



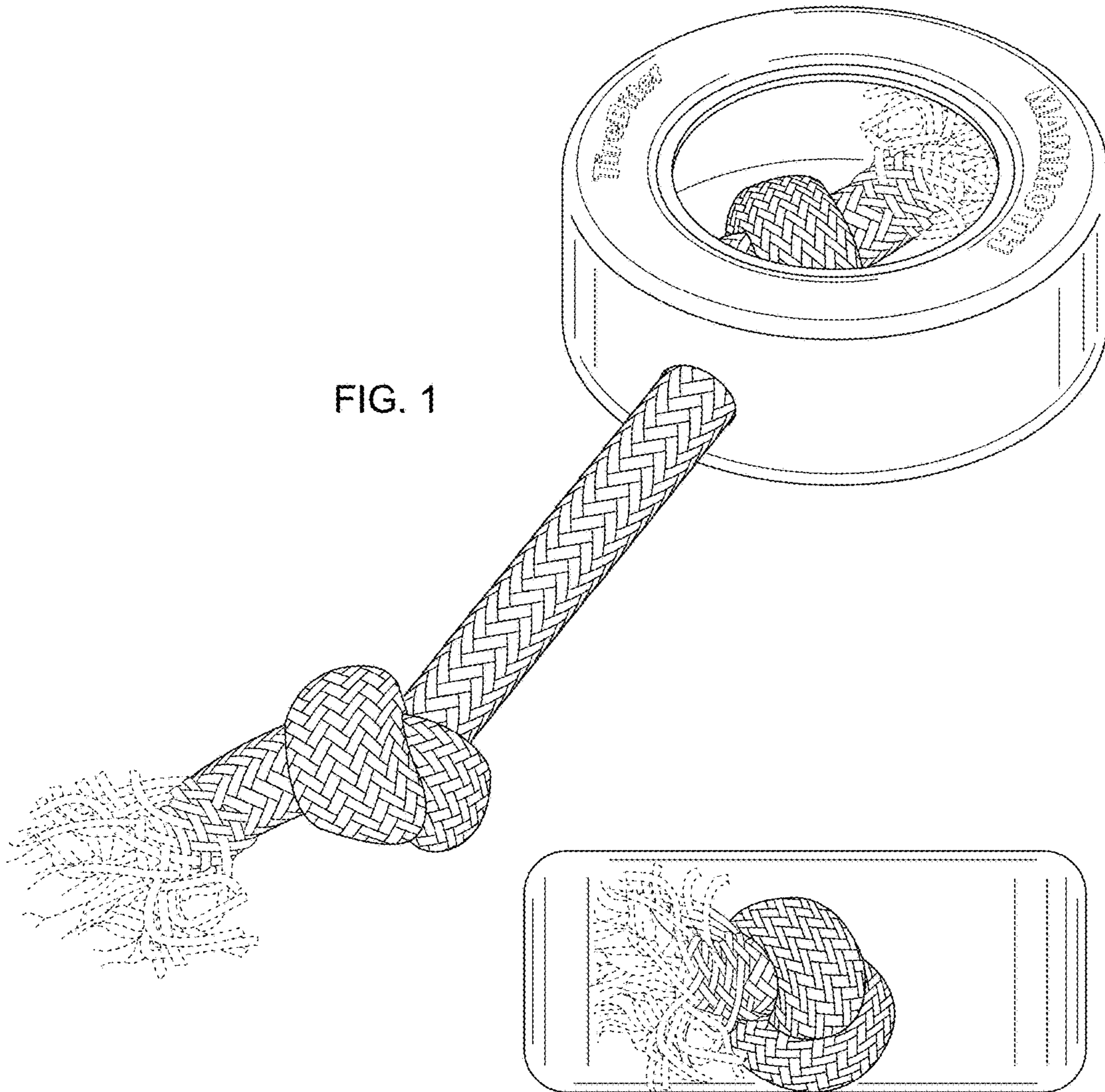


FIG. 1

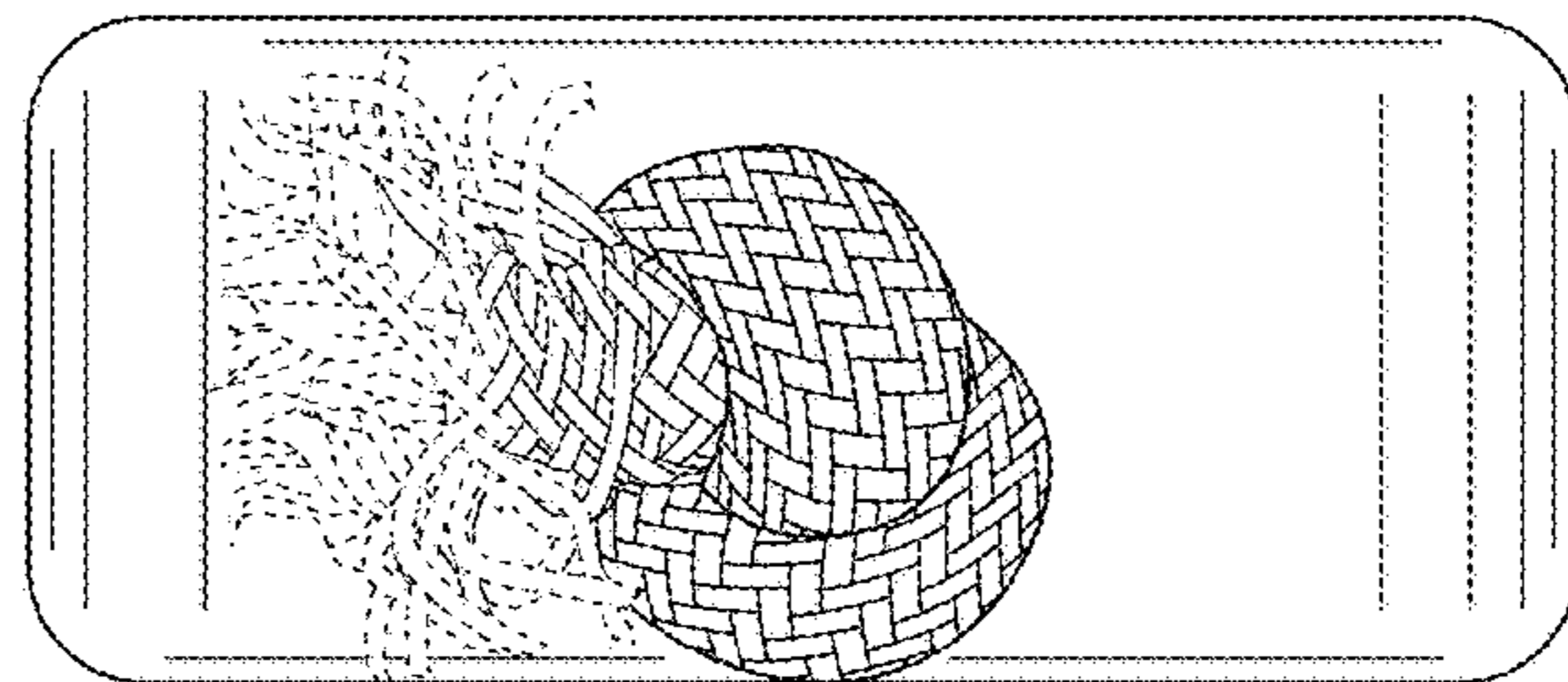


FIG. 2

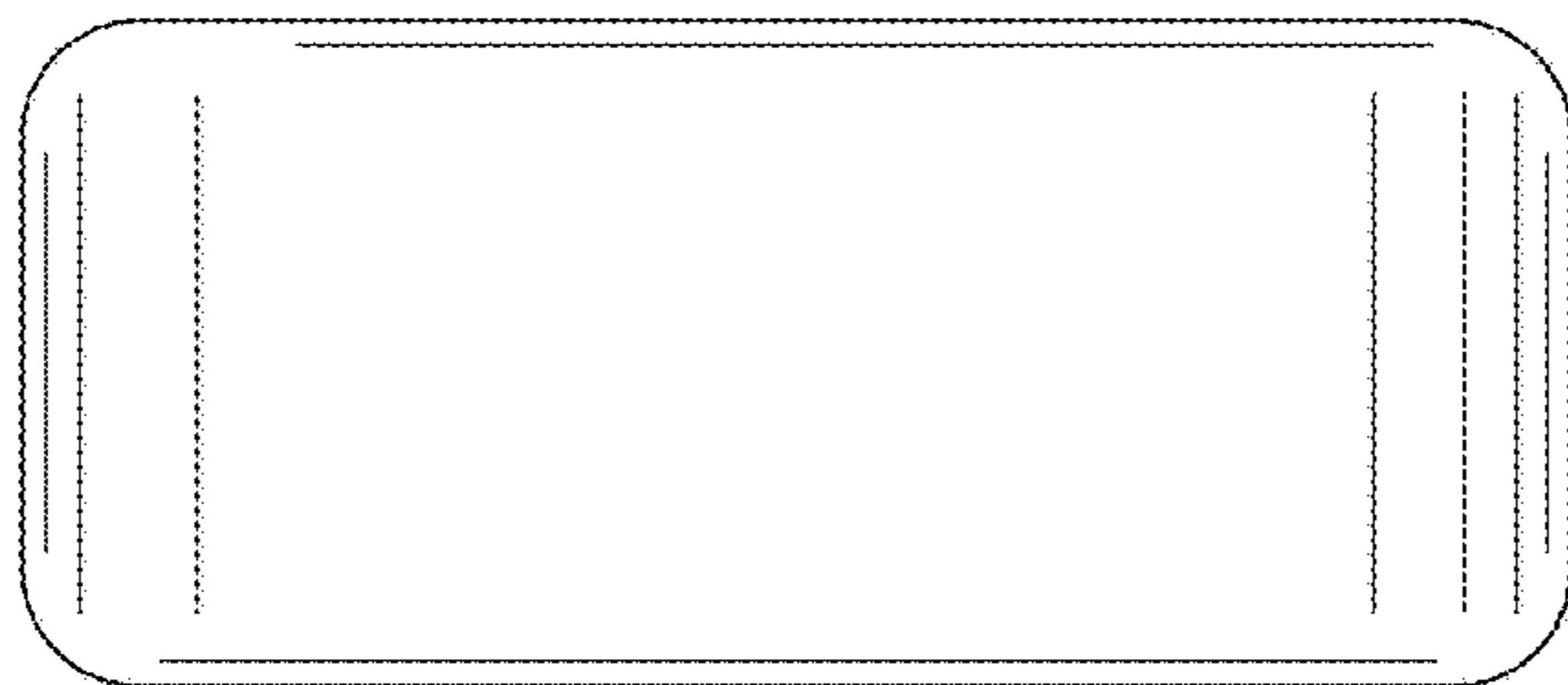


FIG. 3

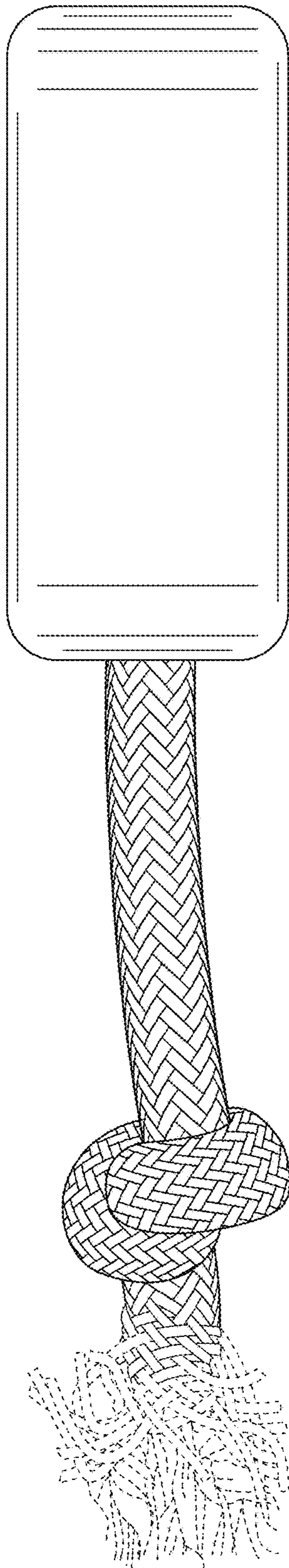


FIG. 4

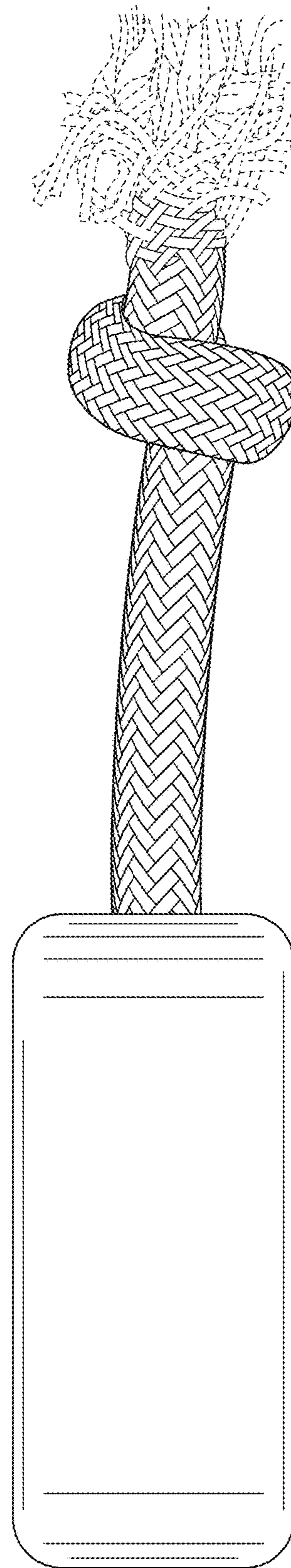


FIG. 5

