



US00D777999S

(12) **United States Design Patent**
McAnulty

(10) **Patent No.:** **US D777,999 S**

(45) **Date of Patent:** **** Jan. 31, 2017**

- (54) **DOUBLE-ENDED PET CHEW TOY**
- (71) Applicant: **Roy McAnulty**, Englewood, CO (US)
- (72) Inventor: **Roy McAnulty**, Englewood, CO (US)
- (**) Term: **15 Years**
- (21) Appl. No.: **29/532,632**
- (22) Filed: **Jul. 8, 2015**
- (51) **LOC (10) Cl.** **30-99**
- (52) **U.S. Cl.**
USPC **D30/160**
- (58) **Field of Classification Search**
USPC D30/160; D24/194-195, 211-212;
D21/405-406, 662, 684; 119/706
CPC .. A01K 15/024; A01K 15/025; A01K 15/026;
A01K 15/027
See application file for complete search history.

- 7,389,748 B2 * 6/2008 Shatoff A01K 15/025
119/702
- D579,157 S * 10/2008 Edwards D30/160
- D588,203 S * 3/2009 Anderson D21/405
- D664,723 S * 7/2012 Wolfe, Jr. D30/160
- D672,513 S * 12/2012 Wolfe, Jr. D30/160
- 8,573,159 B1 * 11/2013 Crotty A01K 15/025
119/707
- D754,935 S * 4/2016 Lai D30/160
- D755,451 S * 5/2016 Lai D30/160
- D762,928 S * 8/2016 Lai D30/160

* cited by examiner

Primary Examiner — Cathy Anne MacCormac
(74) *Attorney, Agent, or Firm* — Russ Weinzimmer & Associates, PC

(57) **CLAIM**

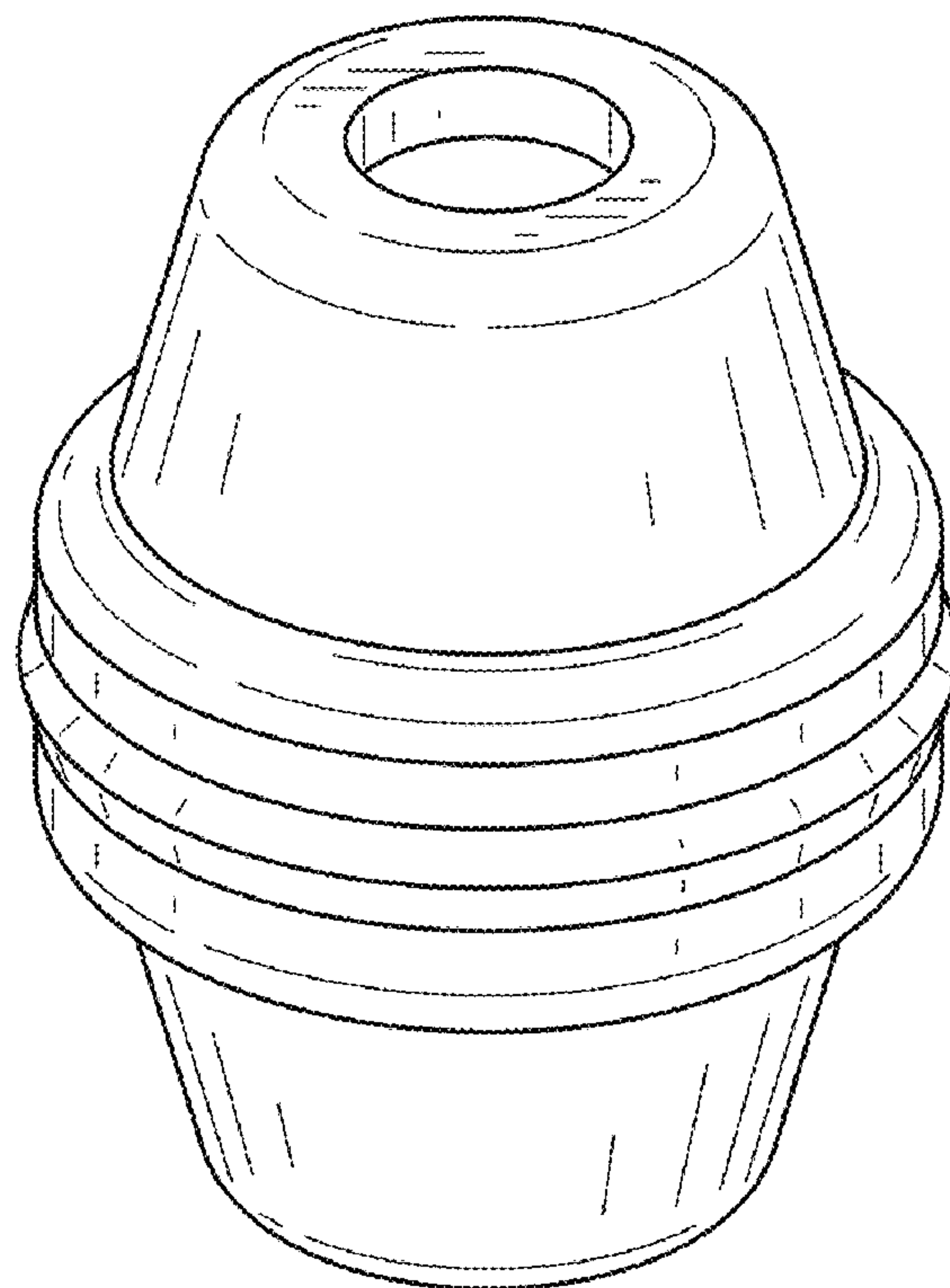
The ornamental design for a double-ended pet chew toy, as shown and described.

DESCRIPTION

FIG. 1 is a front perspective view of the double-ended pet chew toy.
FIG. 2 is a front view of the double-ended pet chew toy.
FIG. 3 is a top view of the double-ended pet chew toy.
FIG. 4 is a rear view of the double-ended pet chew toy.
FIG. 5 is a bottom view of the double-ended pet chew toy; and,
FIG. 6 is a bottom perspective view of the double-ended pet chew toy.

1 Claim, 2 Drawing Sheets

- (56) **References Cited**
U.S. PATENT DOCUMENTS
- 1,006,182 A * 10/1911 Cousin A01K 15/025
119/711
- 2,131,229 A * 9/1938 McMennamin A01K 15/025
119/709
- 3,830,202 A * 8/1974 Garrison A01K 15/025
119/709
- D253,373 S * 11/1979 Celeste D30/160
- D477,414 S * 7/2003 Chen D24/211
- D546,402 S * 7/2007 Sonnier D21/662



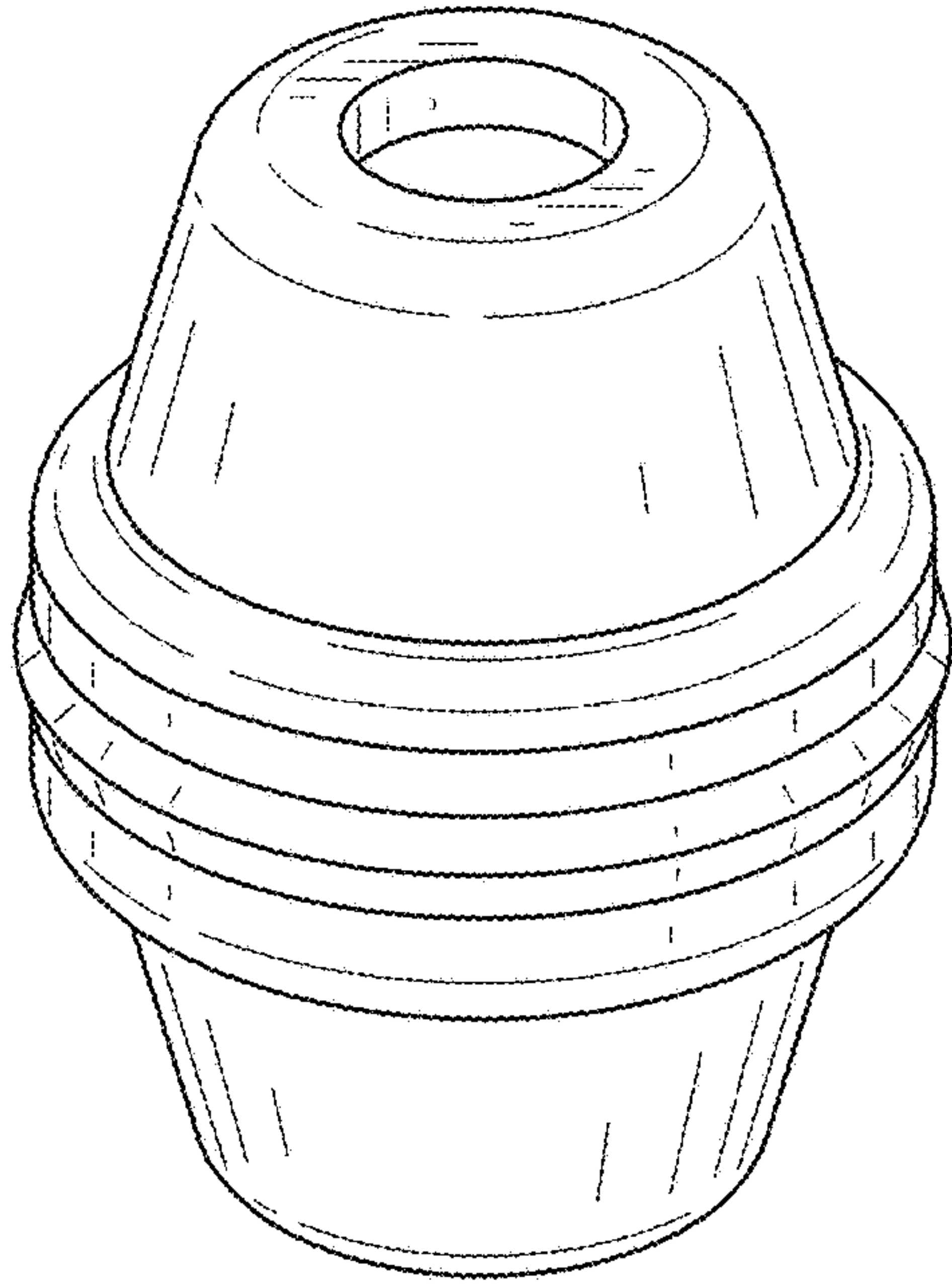


FIG. 1

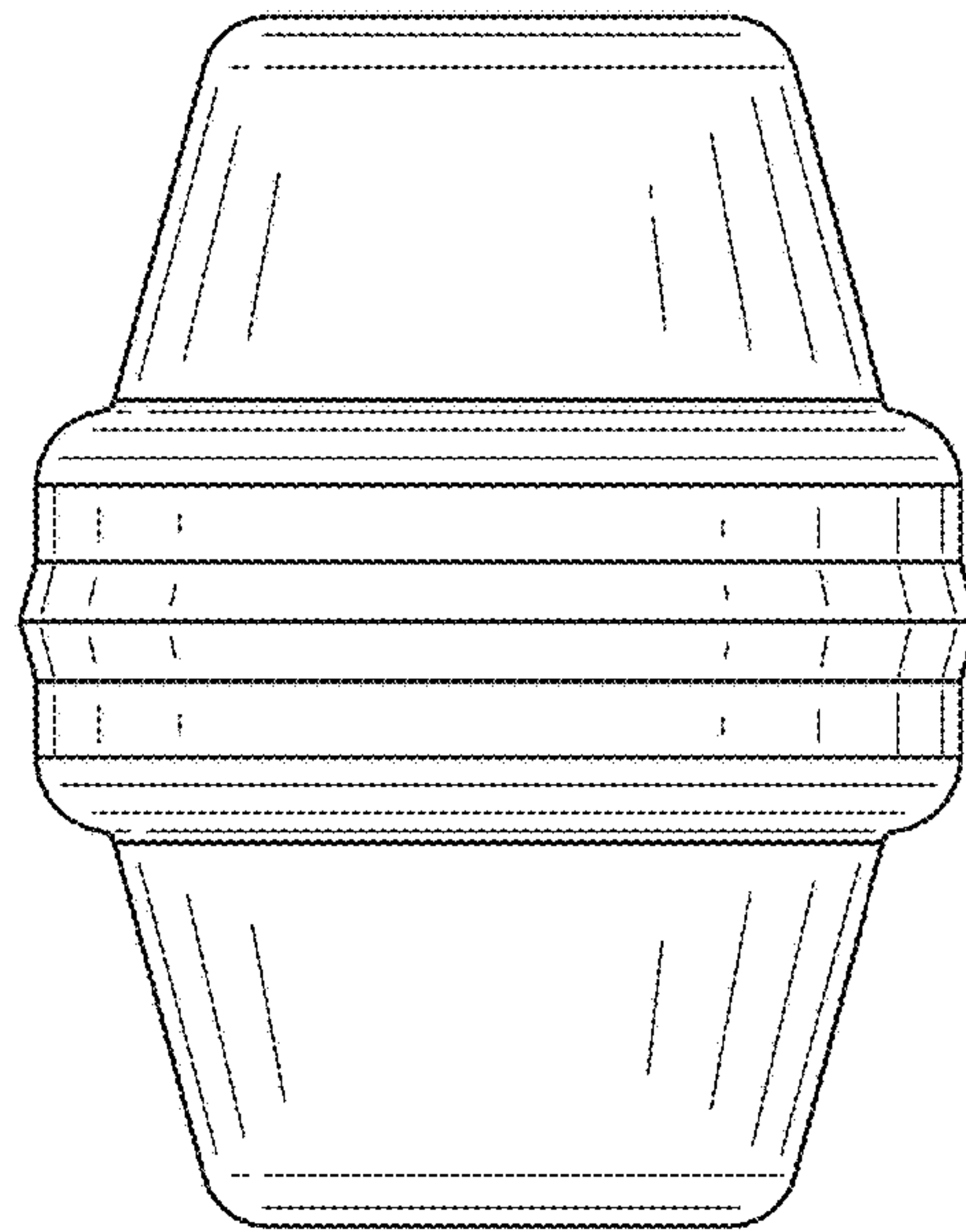


FIG. 2

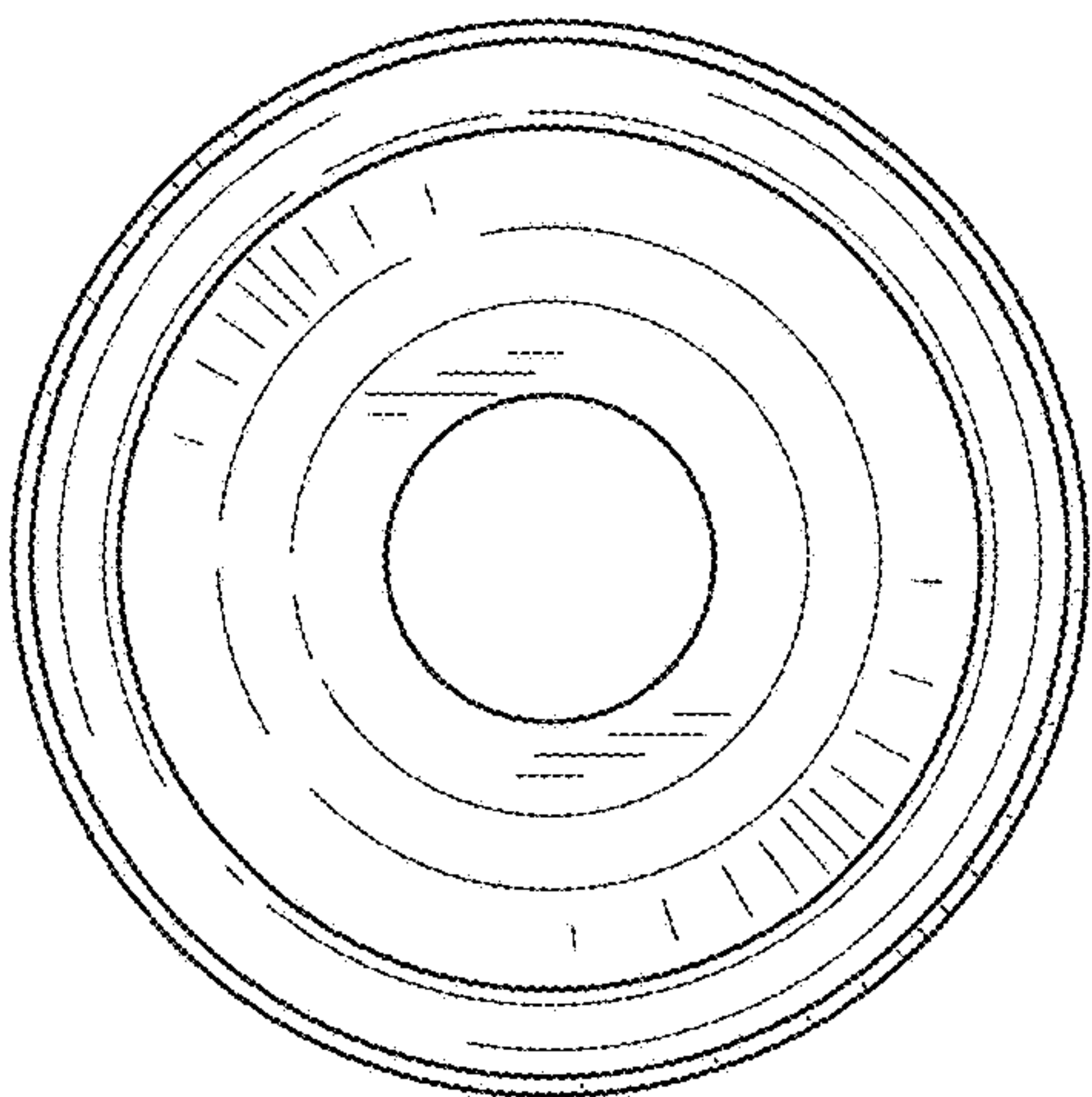


FIG. 3

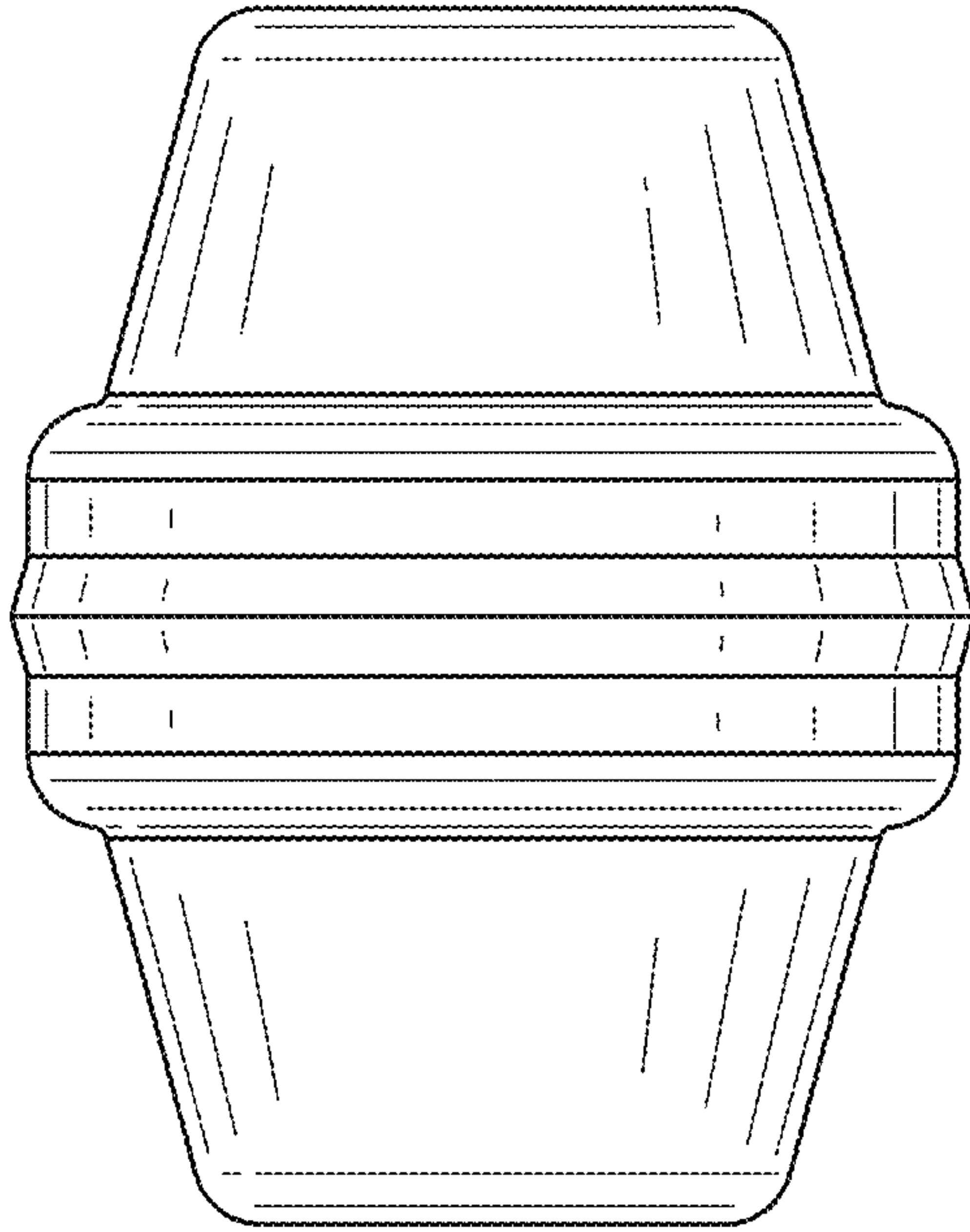


FIG. 4

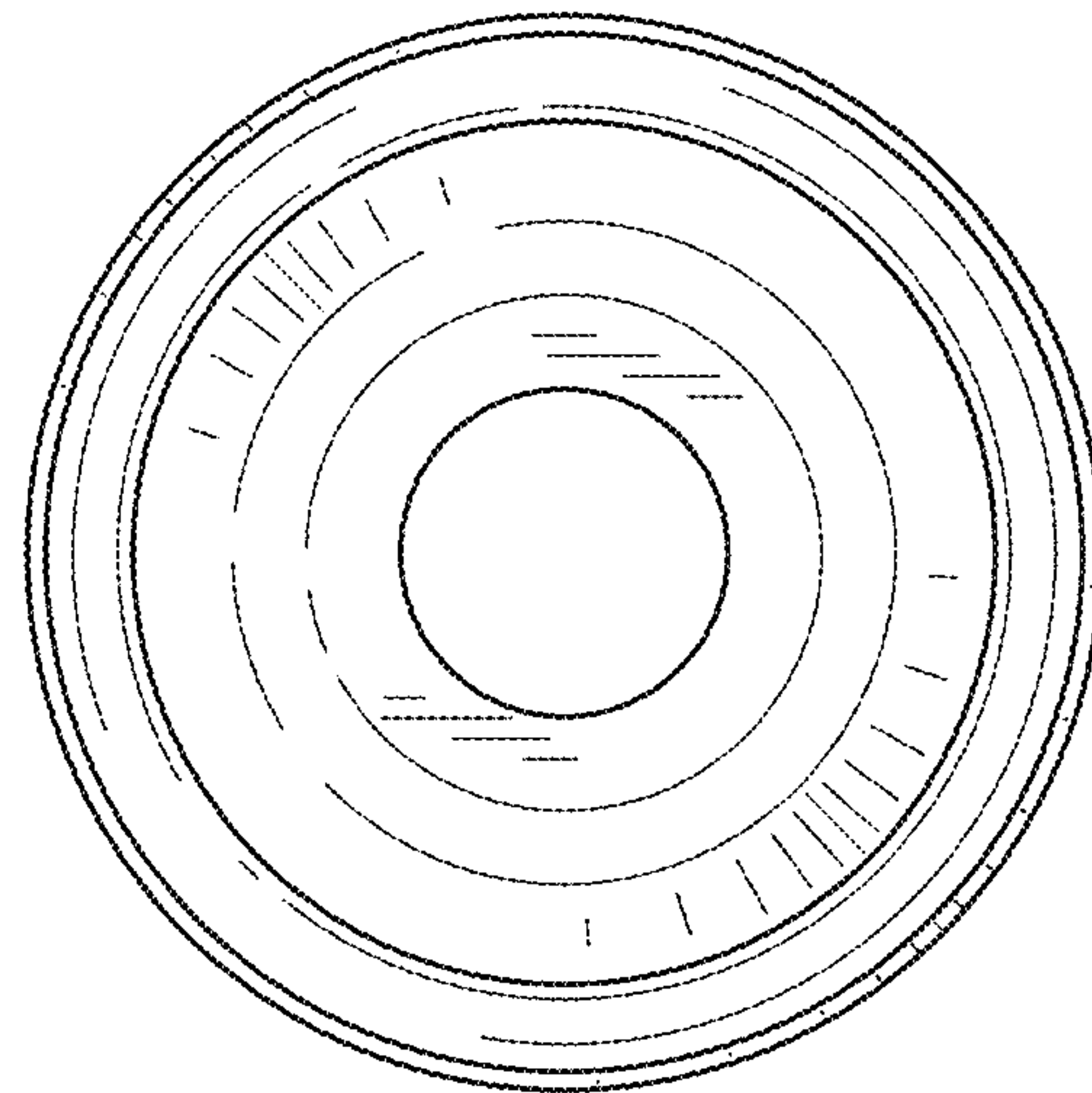


FIG. 5

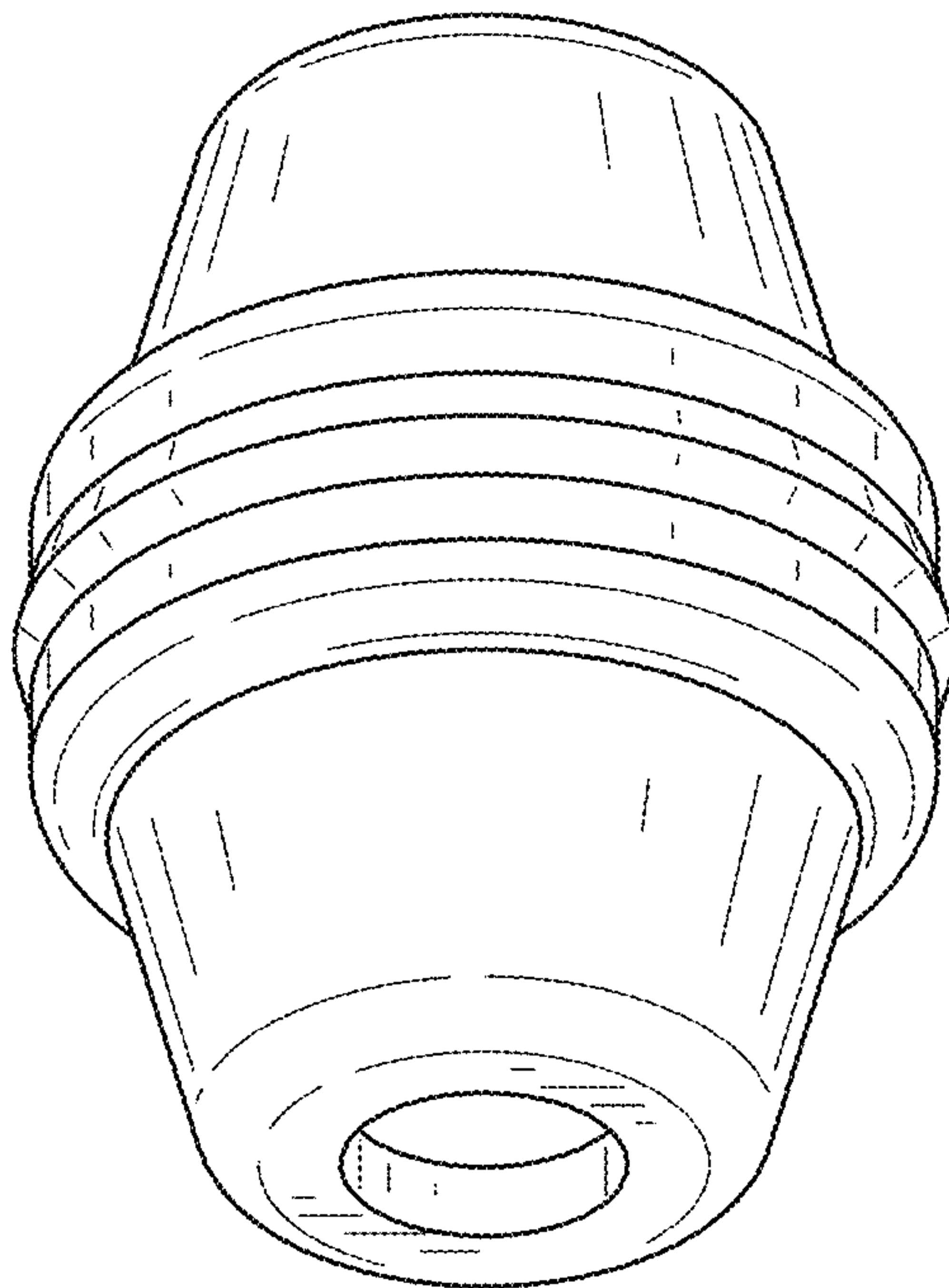


FIG. 6