



US00D777998S

(12) **United States Design Patent** (10) **Patent No.:** **US D777,998 S**
Pantazes (45) **Date of Patent:** **** Jan. 31, 2017**

(54) **ANIMAL COLLAR**
(71) Applicant: **Theodore Pantazes**, Potomac, MD (US)
(72) Inventor: **Theodore Pantazes**, Potomac, MD (US)
(**) Term: **15 Years**

D726,057 S * 4/2015 Wai D11/4
D738,769 S * 9/2015 Tan D11/3
2002/0152970 A1 10/2002 Takeda
2003/0013420 A1 1/2003 Redmond
2007/0056531 A1 3/2007 Renforth
2007/0095304 A1 5/2007 Rosenberg et al.
2007/0204803 A1 9/2007 Ramsay
2007/0221140 A1 9/2007 Warren et al.
(Continued)

(21) Appl. No.: **29/531,399**
(22) Filed: **Jun. 25, 2015**
(51) **LOC (10) Cl.** **30-04**
(52) **U.S. Cl.**
USPC **D30/152**
(58) **Field of Classification Search**
USPC D30/144, 145, 151, 152, 161, 169, 199;
D11/3; D2/894; D8/300; D29/100, 101.1,
D29/101.2, 101.3, 101.5; D24/190;
119/174, 702, 712, 725, 758, 769, 792,
119/802, 850, 856, 858, 863, 865, 907;
54/19.1, 38.1; D3/217, 231
CPC A01K 27/001
See application file for complete search history.

FOREIGN PATENT DOCUMENTS

JP 2007117225 A 5/2007
JP 2012078616 A 4/2012

OTHER PUBLICATIONS

Motorola Scout 5000 Collar with Camera, PTT & Cellular SCOUT5000, "Adorama More Than a Camera Store", retrieved Feb. 29, 2016, <http://www.adorama.com/moscout5000.html>, pp. 1-3.

(Continued)

Primary Examiner — Robert M Spear
Assistant Examiner — Kendra L Hamilton
(74) *Attorney, Agent, or Firm* — Blank Rome LLP;
Michael C. Greenbaum

(56) **References Cited**
U.S. PATENT DOCUMENTS

D270,102 S * 8/1983 Crenshaw D30/152
4,797,736 A 1/1989 Kloots et al.
D356,516 S * 3/1995 Price D10/104.1
6,038,743 A * 3/2000 Chapman G09F 3/005
24/3.12
D468,492 S * 1/2003 Wilhelm D30/152
6,720,879 B2 4/2004 Edwards
D562,175 S * 2/2008 Miller D11/35
7,411,492 B2 8/2008 Greenberg
7,424,867 B2 9/2008 Kates
D608,236 S * 1/2010 Akdemir D11/26
D676,722 S * 2/2013 Clancy D8/1
8,543,134 B2 9/2013 Lopez et al.
8,624,743 B2 1/2014 Langer et al.
D704,393 S * 5/2014 Yohai-Giochais D30/152
8,839,744 B1 9/2014 Bianchi et al.
D716,174 S * 10/2014 Tsang D11/3

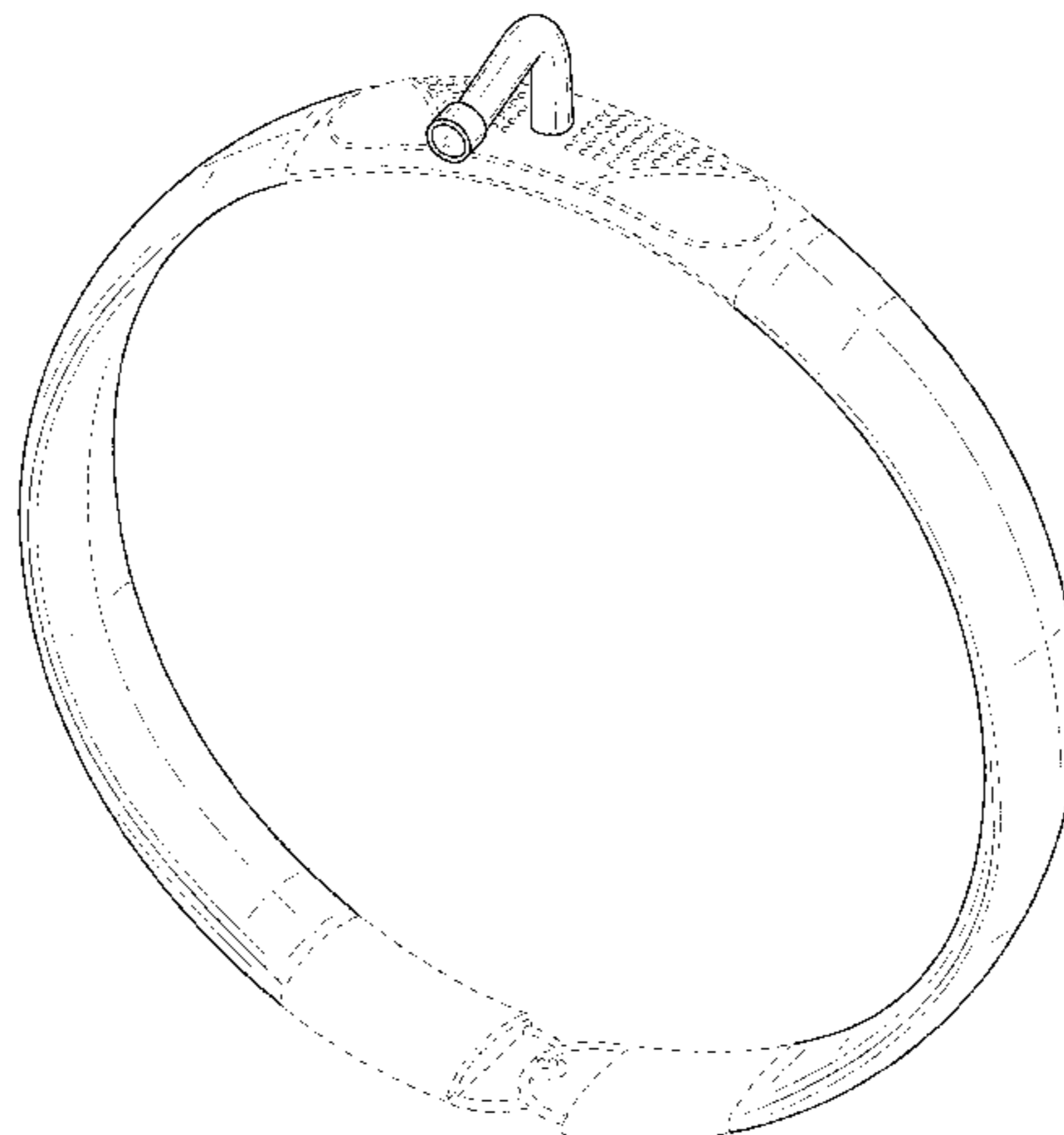
(57) **CLAIM**

The ornamental design for an animal collar, as shown and described.

DESCRIPTION

FIG. 1 is a perspective view an animal collar showing my new design;
FIG. 2 is a left side elevational view thereof;
FIG. 3 is a right side elevational view thereof;
FIG. 4 is rear side elevational view thereof;
FIG. 5 is a front side elevational view thereof;
FIG. 6 is a top side view thereof; and,
FIG. 7 is a bottom side view thereof.
In the drawings, the broken lines depict environmental subject matter only and form no part of the claimed design.

1 Claim, 7 Drawing Sheets



(56)

References Cited

U.S. PATENT DOCUMENTS

2007/0266959 A1 11/2007 Brooks
2008/0236195 A1* 10/2008 Wobke A44C 5/003
63/1.14
2009/0109292 A1 4/2009 Ennis
2010/0282184 A1 11/2010 Larson
2011/0197826 A1* 8/2011 Hurwitz A01K 27/006
119/859
2012/0204811 A1 8/2012 Ryan
2012/0255505 A1 10/2012 Gauthier
2015/0366166 A1 12/2015 Mueller

OTHER PUBLICATIONS

“Scout 5000 is A Cutting-Edge Wearable—For Your Dog”, retrieved Feb. 18, 2016, <http://wearables.reviewed.com/features/scout-5000-is-a-new-wearable-for-you-dog>., pp. 1-2.

“WUF—The World’s Smartest Dog Collar” retrieved Feb. 29, 2016, <http://www.getwulf.com>. pp. 1-5.

* cited by examiner

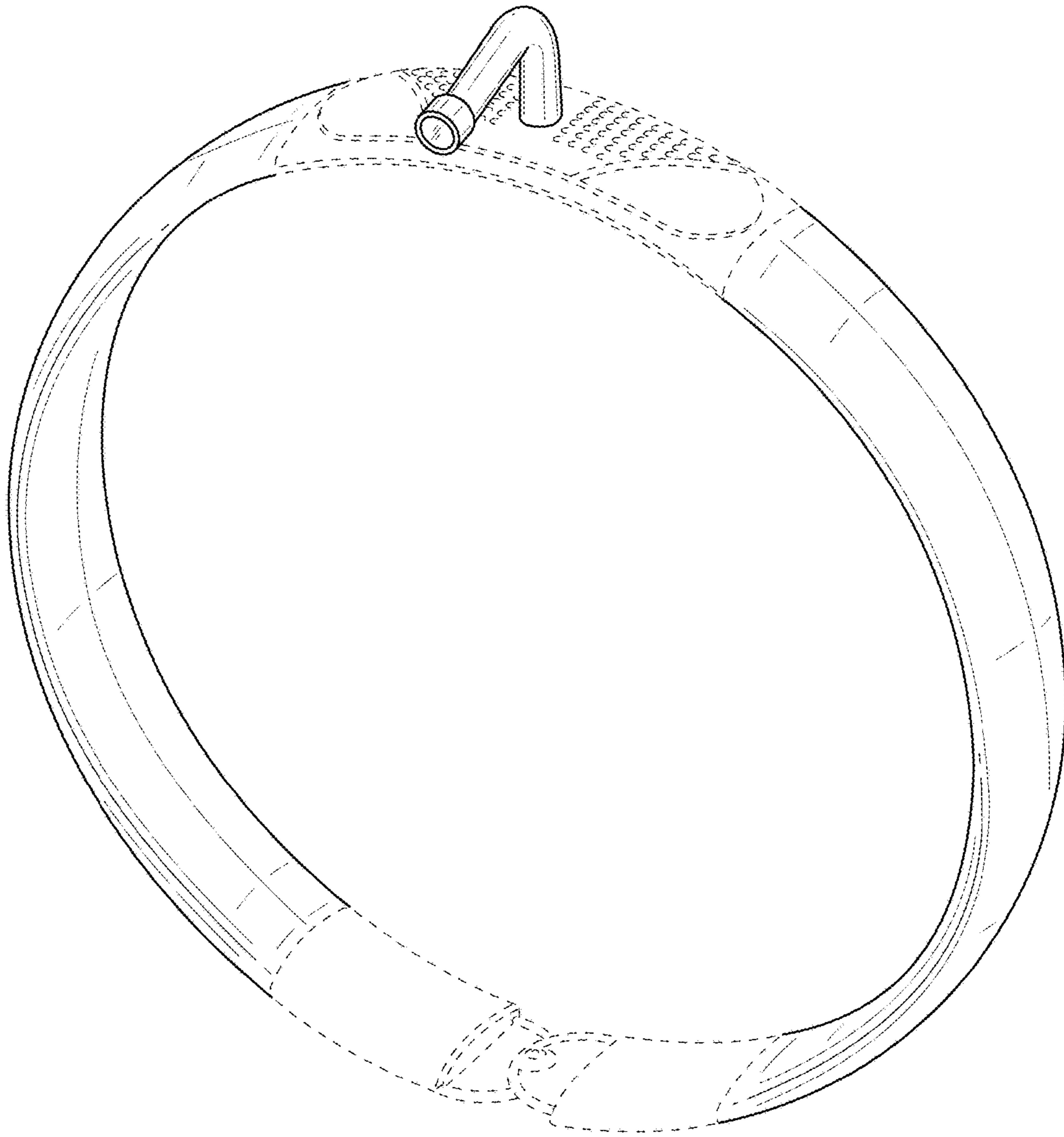


FIG. 1

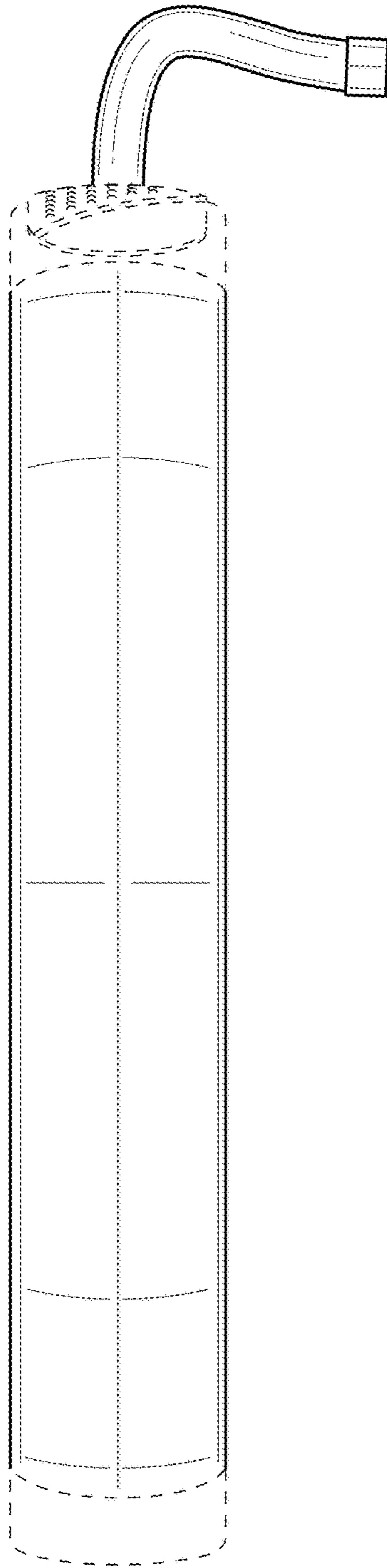


FIG. 2

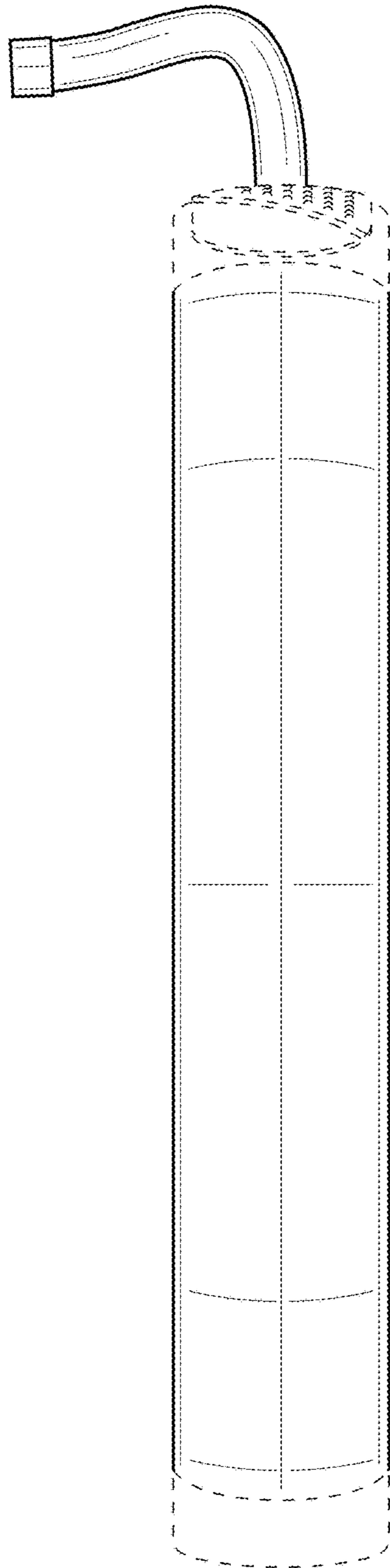


FIG. 3

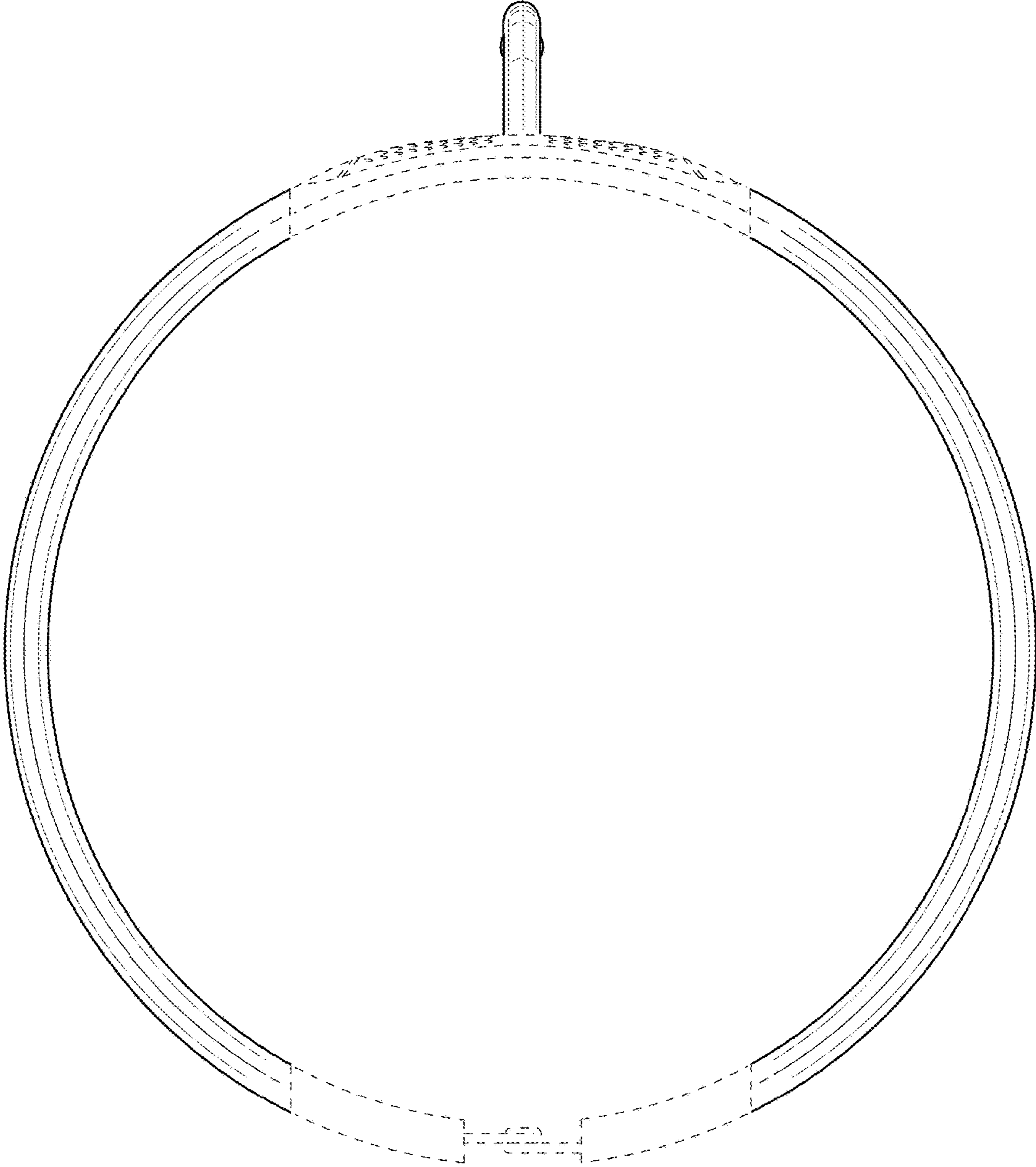


FIG. 4

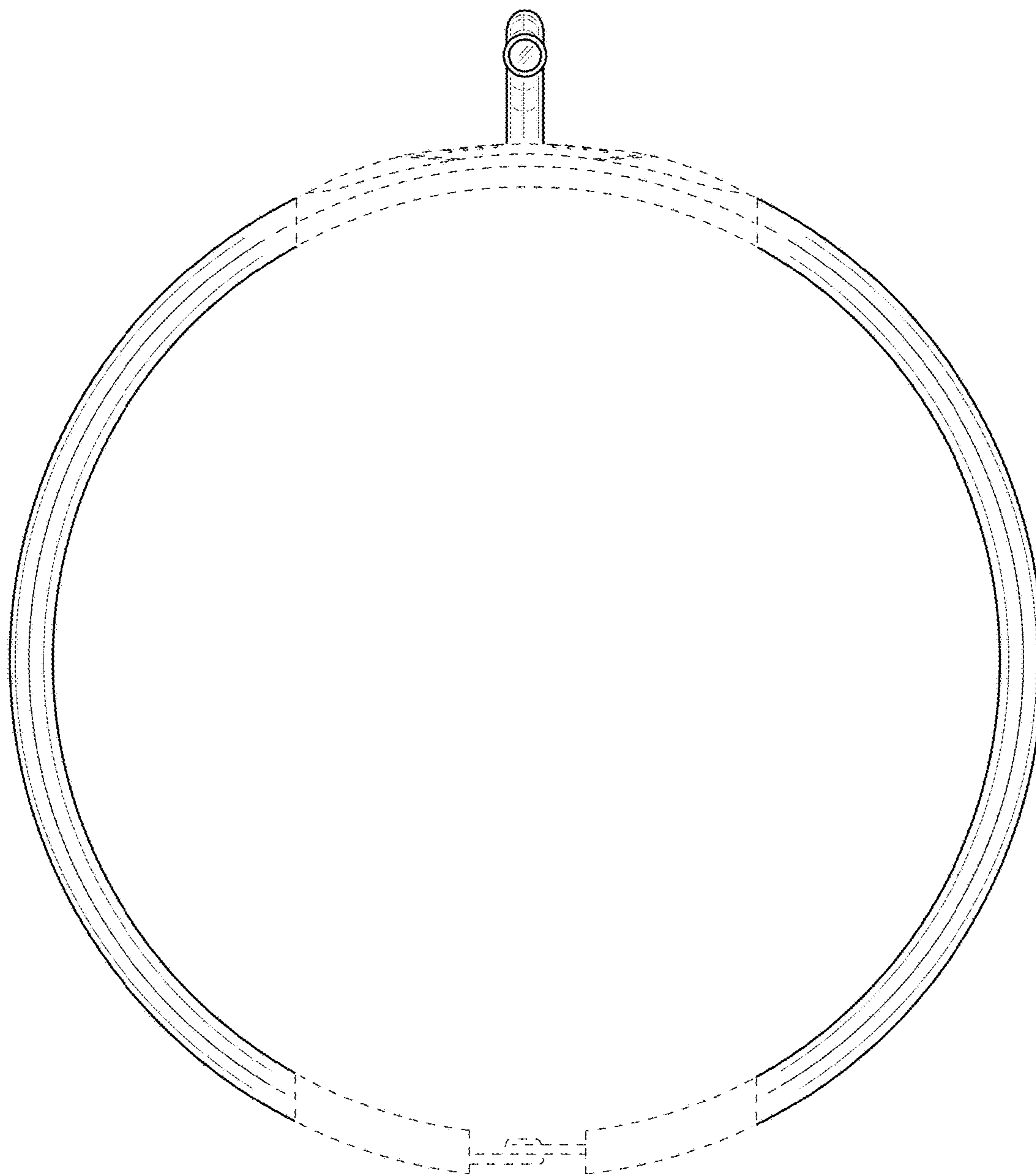


FIG. 5

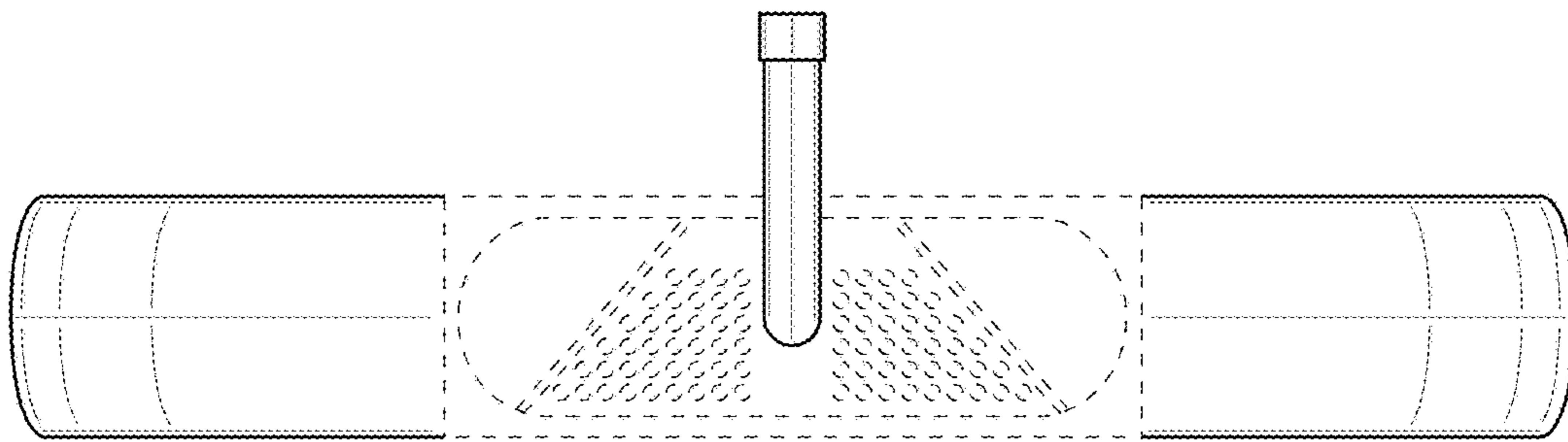


FIG. 6

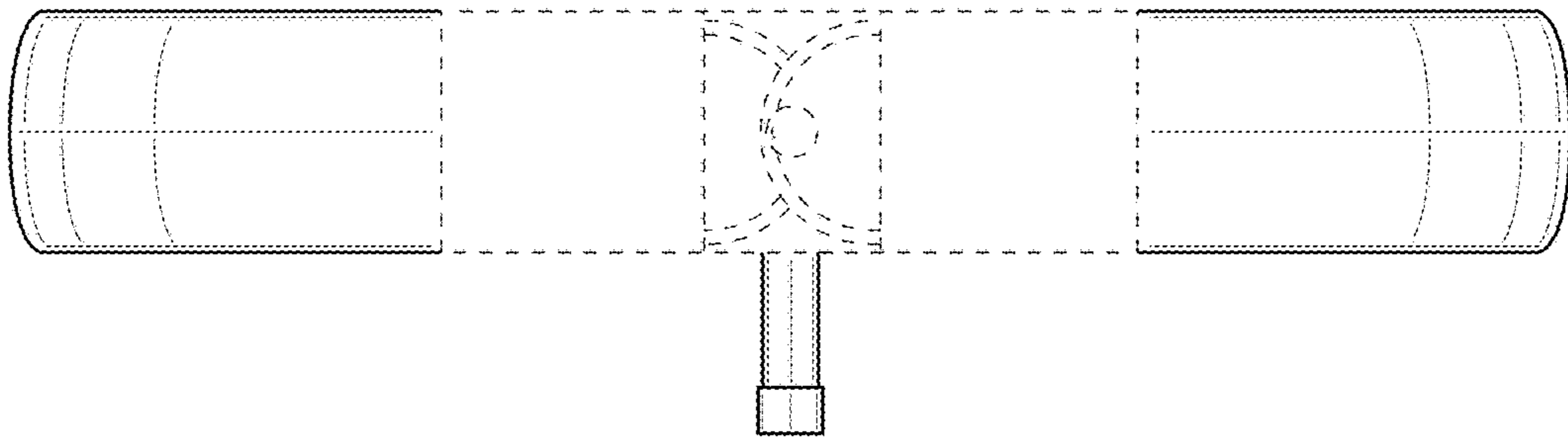


FIG. 7