



US00D777997S

(12) **United States Design Patent** (10) **Patent No.:** **US D777,997 S**
Ruiz (45) **Date of Patent:** **** Jan. 31, 2017**

(54) **ANIMAL COLLAR BOW**

(71) Applicant: **Casildo Ruiz**, Arcadia, CA (US)

(72) Inventor: **Casildo Ruiz**, Arcadia, CA (US)

(**) Term: **15 Years**

(21) Appl. No.: **29/545,257**

(22) Filed: **Nov. 11, 2015**

(51) **LOC (10) Cl.** **30-01**

(52) **U.S. Cl.**
USPC **D30/145**

(58) **Field of Classification Search**
USPC D30/139, 144, 145, 151, 152, 155, 199;
D2/627, 635, 638, 894; D29/100, 101.1,
D29/101.2, 101.5; D11/3; D24/190

CPC **A01K 27/006**
See application file for complete search history.

(56) **References Cited**

U.S. PATENT DOCUMENTS

3,585,743	A *	6/1971	Jeffers	G09F 3/005 40/665
D425,263	S *	5/2000	Hanada	D30/145
6,325,024	B1 *	12/2001	Masukawa	A01K 27/006 D30/152
D523,187	S *	6/2006	Bazar	D30/152
D612,551	S *	3/2010	Calenda	D30/152
D630,387	S *	1/2011	Mendez	D30/152
D703,394	S *	4/2014	Bozeman	D30/152
D715,007	S *	10/2014	Hutchinson	D30/152
2005/0132981	A1 *	6/2005	Berry	A01K 27/006 119/856
2005/0257752	A1 *	11/2005	Langer	A01K 27/009 119/712
2008/0133256	A1 *	6/2008	Speroni	A01K 27/006 705/1.1
2012/0285397	A1 *	11/2012	Sharpsteen	A01K 11/00 119/858

(Continued)

OTHER PUBLICATIONS

“DIY: Double Layer Boy’s Bow Tie”. Found online Dec. 6, 2016 at theartinmy.blogspot.com. Page dated Jul. 23, 2013. Retrieved from <http://theartinmy.blogspot.com/2013/07/diy-double-layer-boys-bow-tie.html#!/2013/07/diy-double-layer-boys-bow-tie.html>.*

(Continued)

Primary Examiner — Robert M Spear

Assistant Examiner — Kendra L Hamilton

(74) *Attorney, Agent, or Firm* — Omni Legal Group;
Omid E. Khalifeh

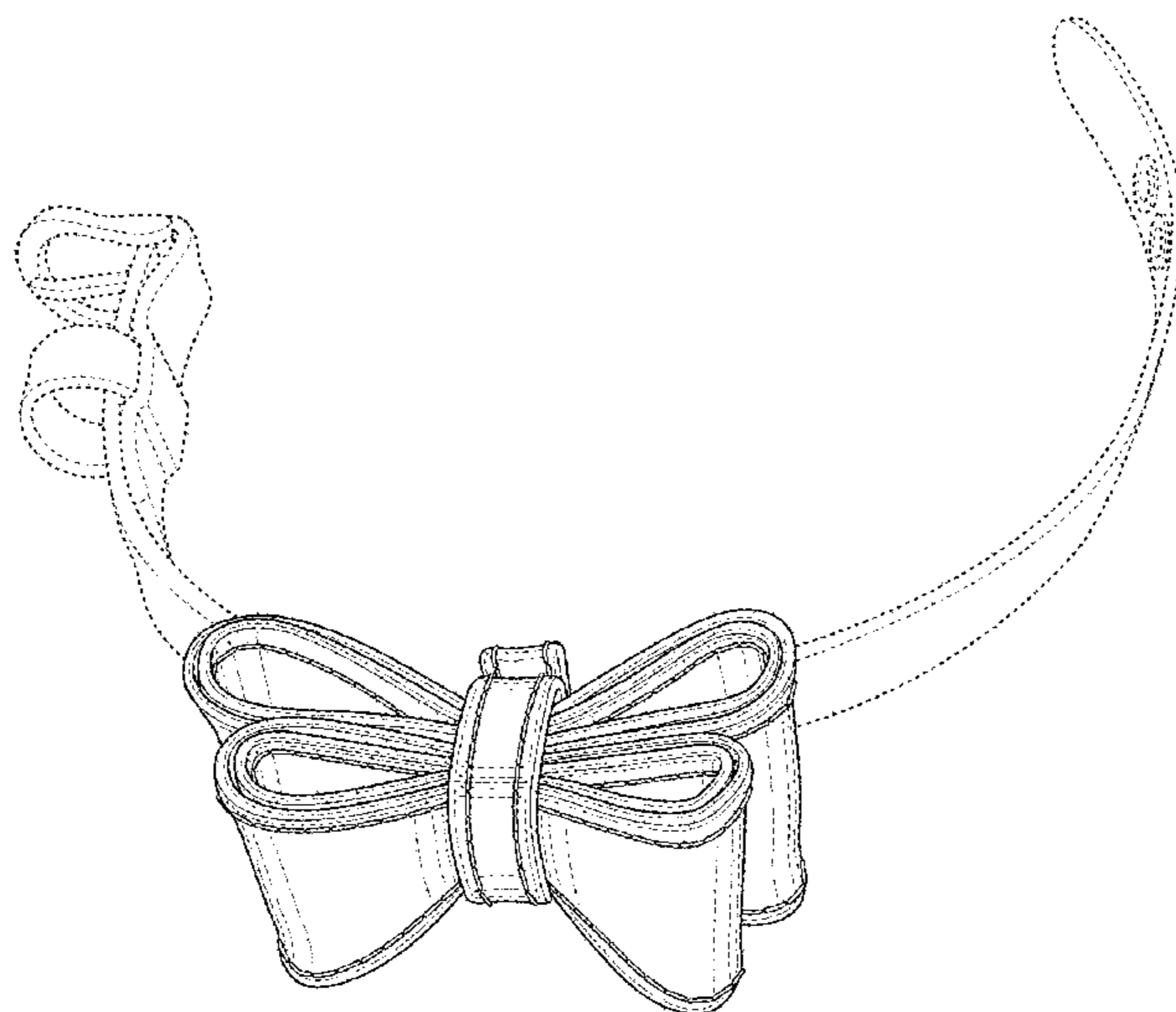
(57) **CLAIM**

The ornamental design for an animal collar bow, as shown and described.

DESCRIPTION

FIG. 1 is a rear perspective view of an animal collar bow according to the present invention;
FIG. 2 is a front perspective view of an animal collar bow according to the present invention;
FIG. 3 is a front view of an animal collar bow according to the present invention;
FIG. 4 is a rear view of an animal collar bow according to the present invention;
FIG. 5 is a bottom plan view of an animal collar bow according to the present invention;
FIG. 6 is a top plan view of an animal collar bow according to the present invention;
FIG. 7 is a left side elevational view of an animal collar bow according to the present invention; and,
FIG. 8 is a right side elevational view of an animal collar bow according to the present invention.
The broken lines shown in the drawings are for the purpose of illustrating portions of the animal collar bow and form no part of the claimed design.

1 Claim, 7 Drawing Sheets



(56)

References Cited

U.S. PATENT DOCUMENTS

2014/0299072 A1 * 10/2014 James A01K 27/006
119/856

OTHER PUBLICATIONS

“Silk Bow Tie”. Found online Dec. 6, 2016 at johnstonmurphy.com. Page dated Aug. 19, 2014. Retrieved from <https://web.archive.org/web/20140819175231/http://www.johnstonmurphy.com/silk-bow-tie/8702.html>.*

“5/8" Bow Tie—Leather Dog Collar”. Found online Dec. 6, 2016 at cacollarco.com. Page dated Aug. 26, 2015. Retrieved from <https://web.archive.org/web/20150826235139/http://cacollarco.com/product/58-bow-tie-leather-dog-collar/>.*

“Dog Bow Tie Collar for Large Dogs”. Found online Dec. 6, 2016 at ebay.com. Page dated Dec. 5, 2012. Retrieved from <http://www.ebay.com/itm/Dog-bow-tie-collar-for-large-dogs-necktie-formal-bow-tie-comes-in-white-or-red-/281034568105>.*

* cited by examiner

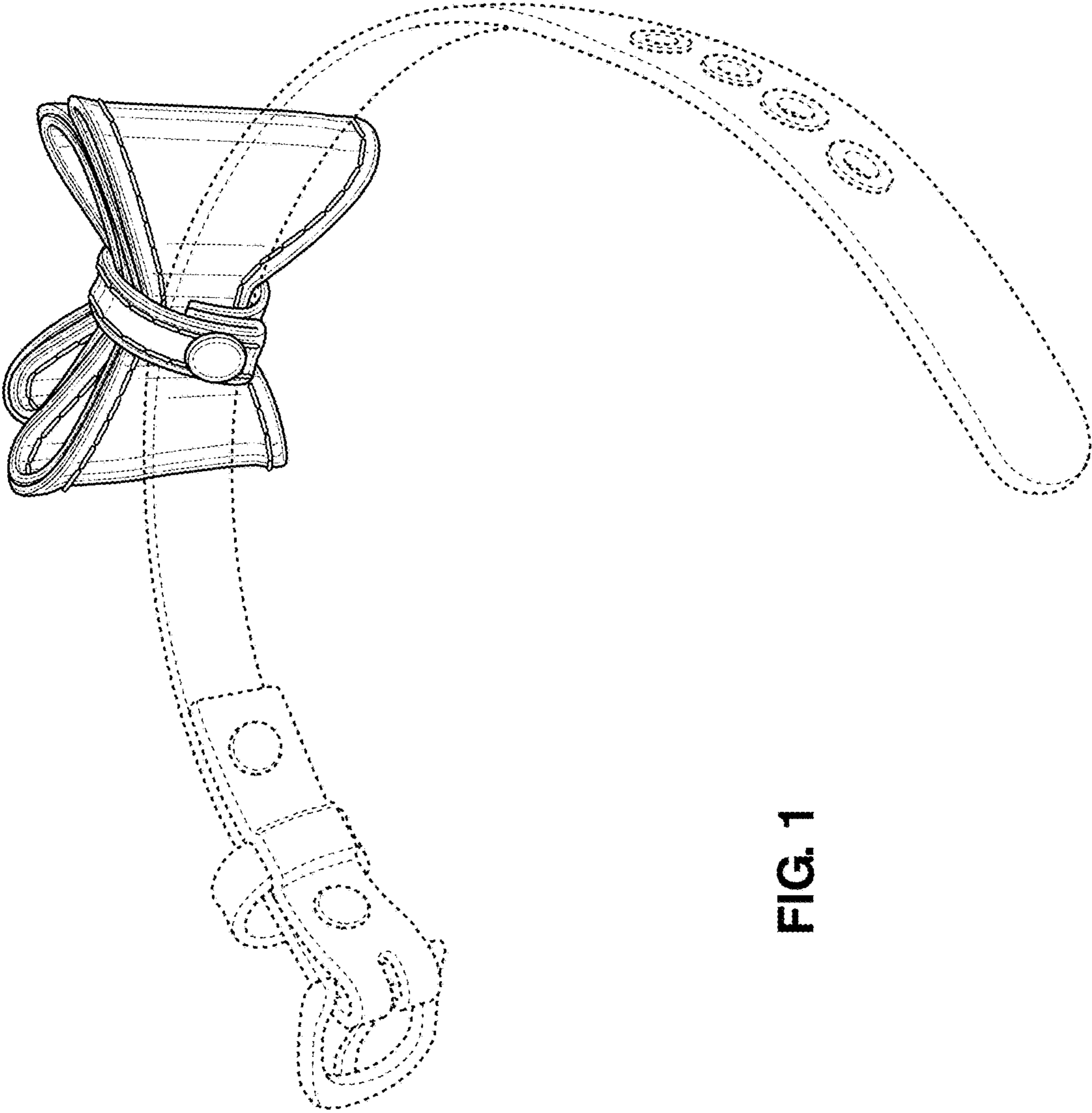


FIG. 1

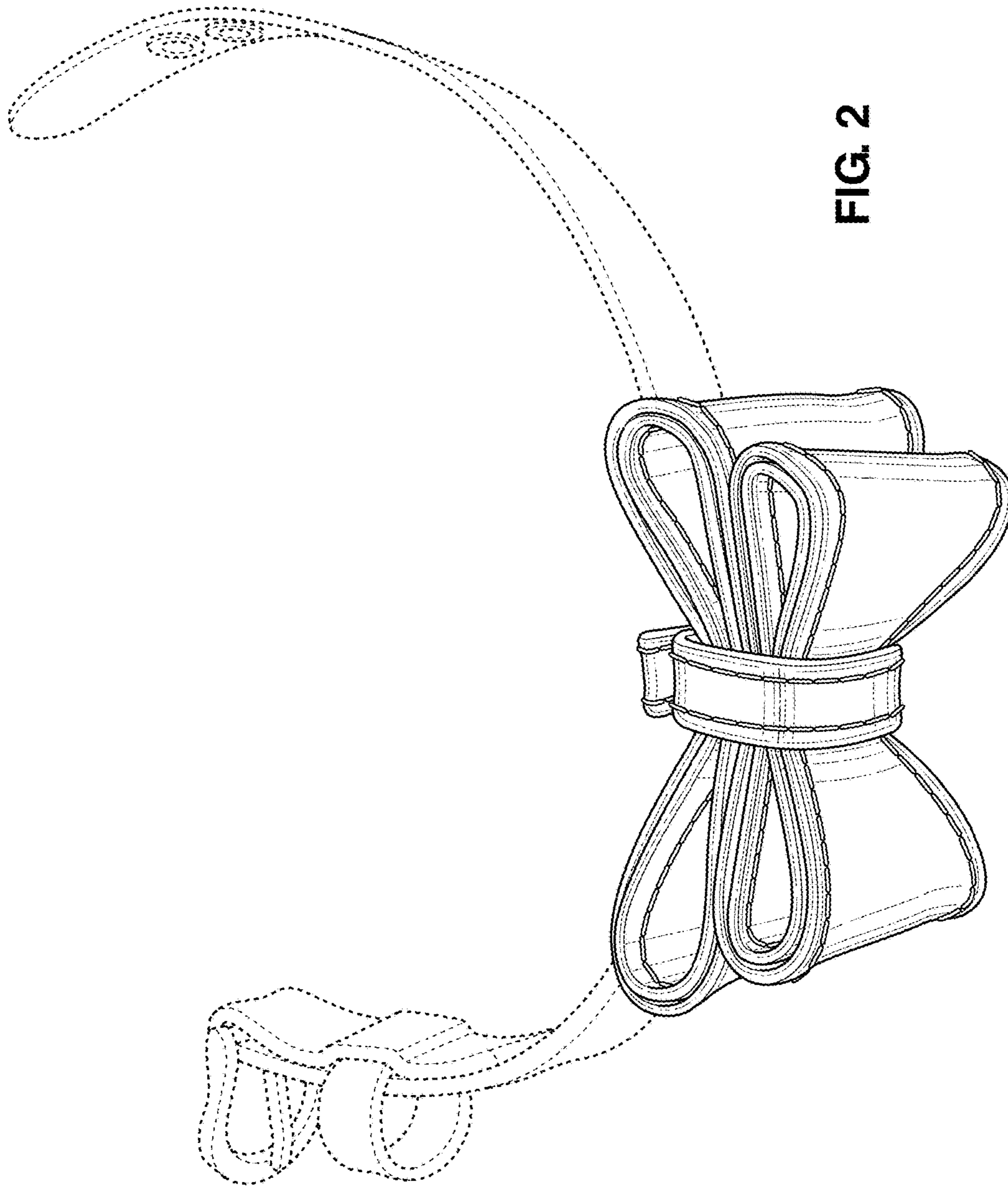


FIG. 2

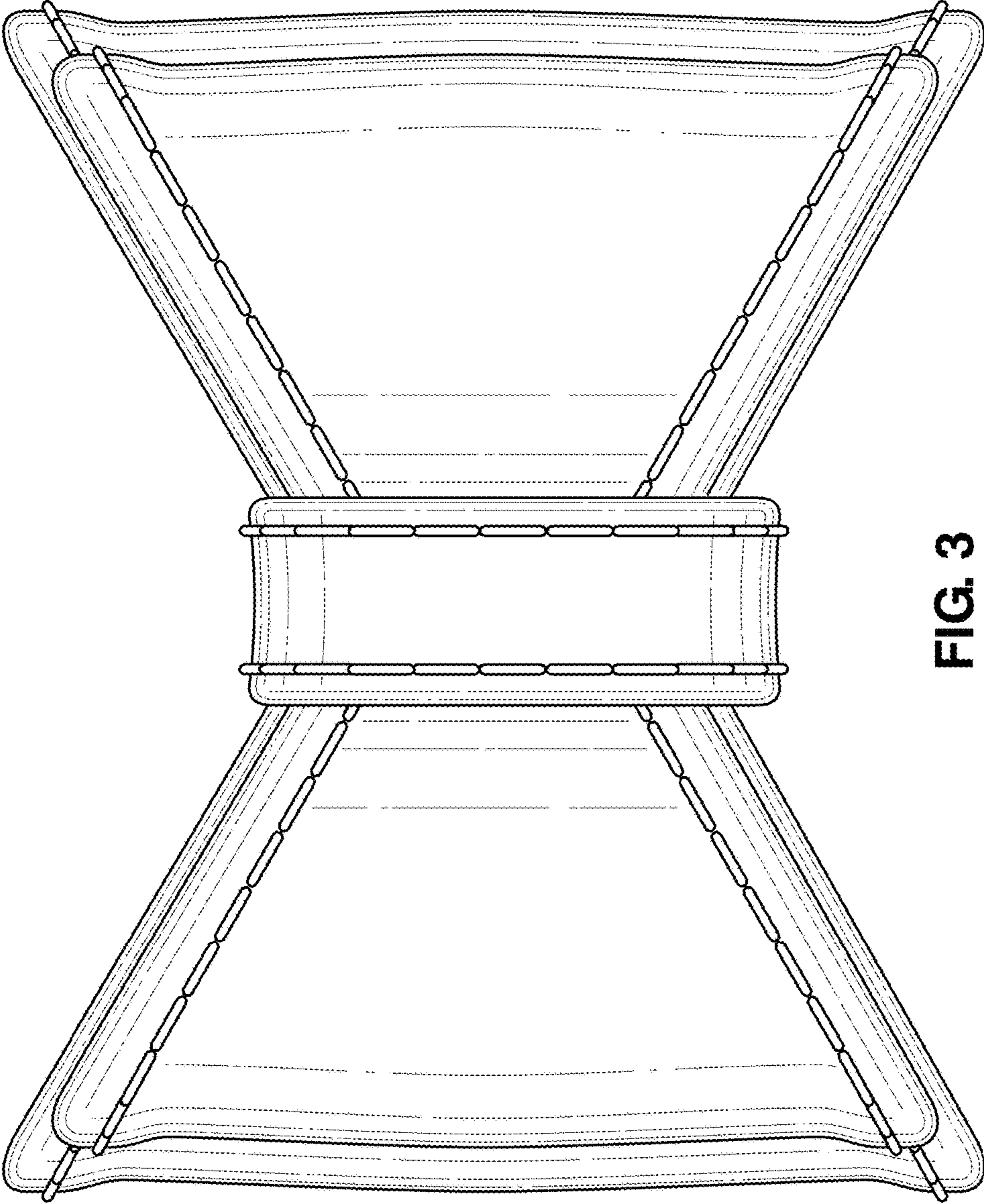


FIG. 3

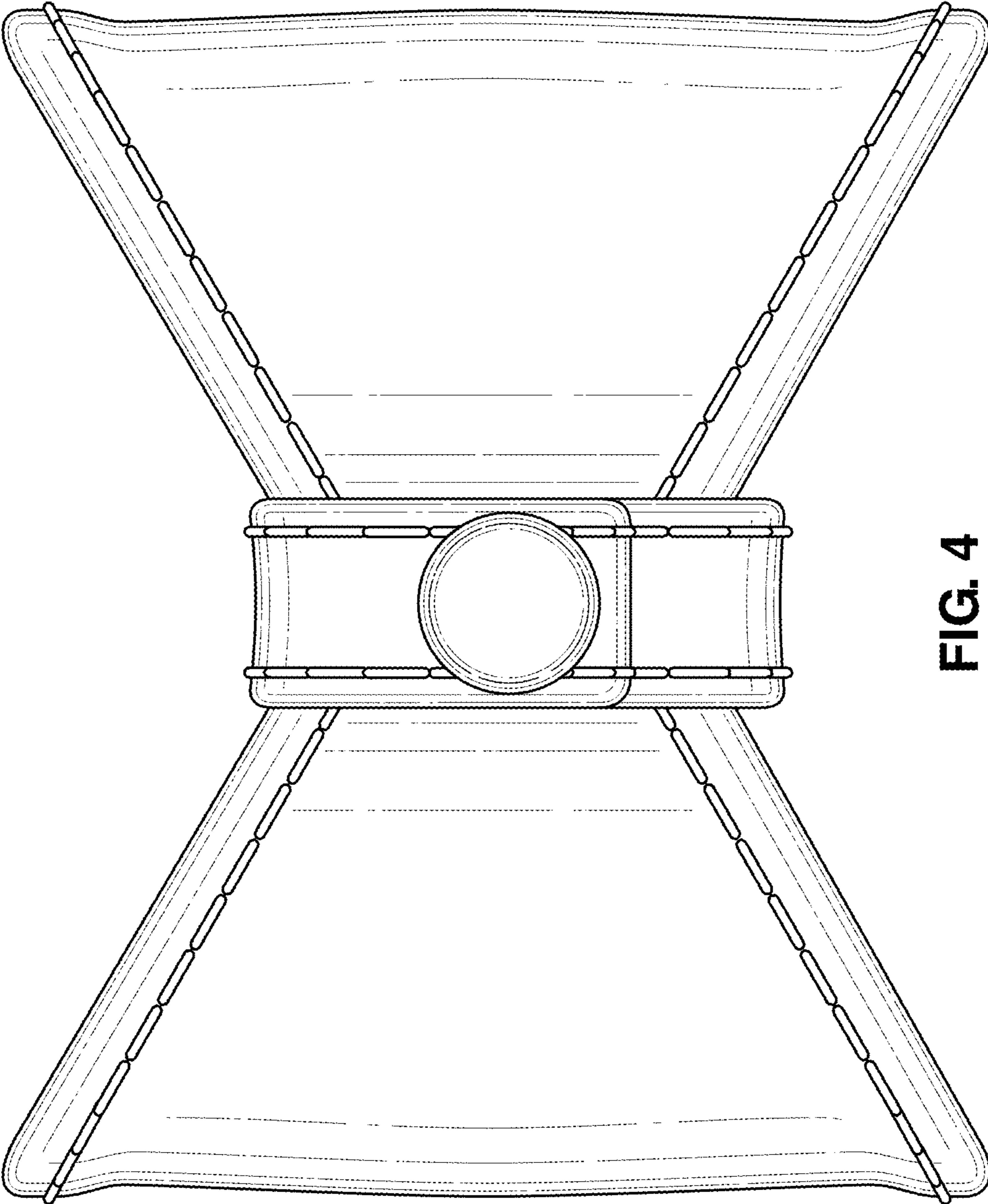


FIG. 4

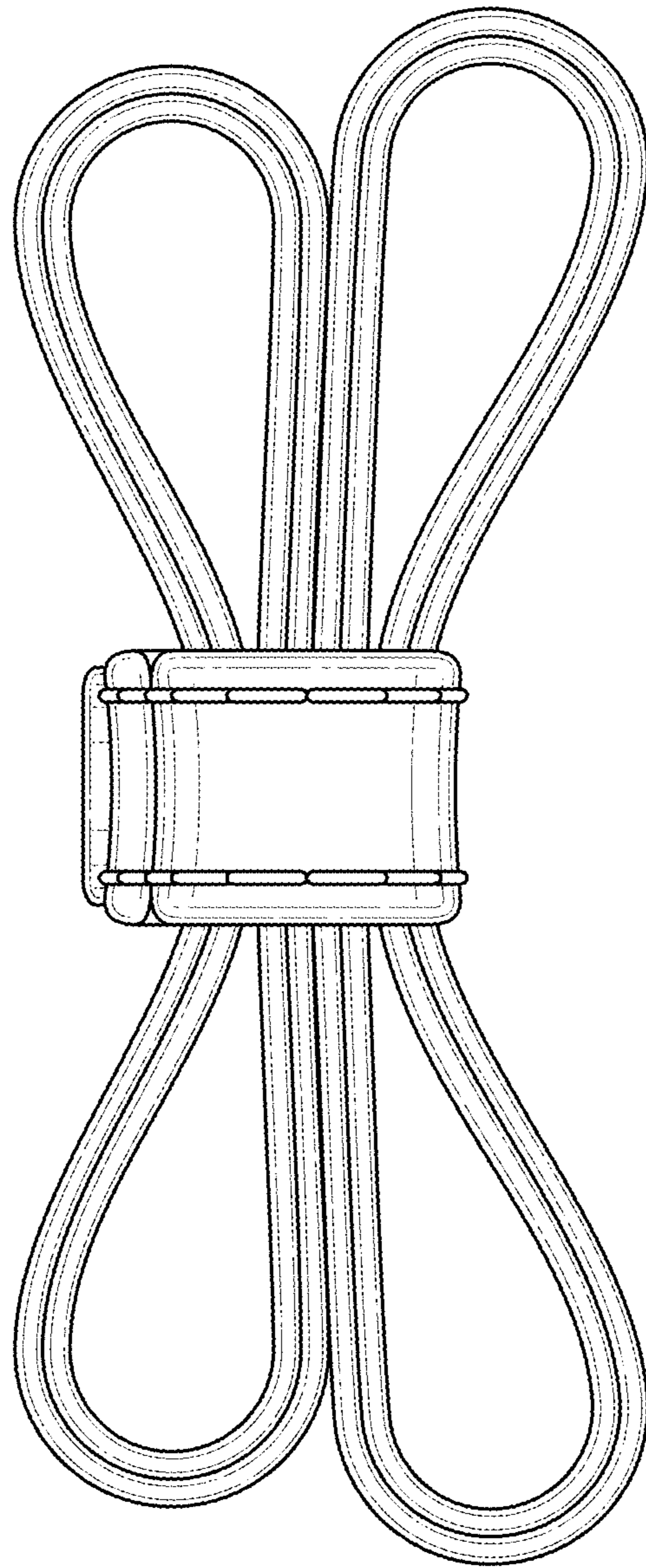


FIG. 5

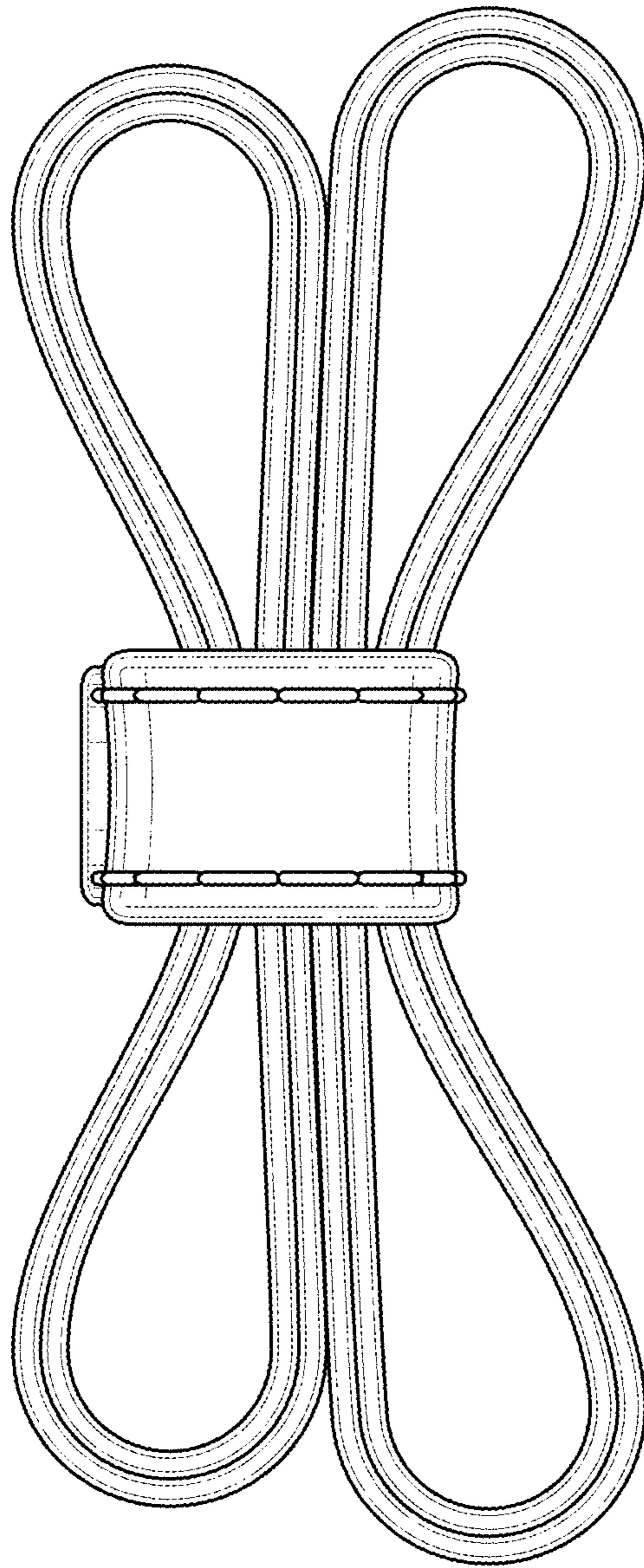


FIG. 6

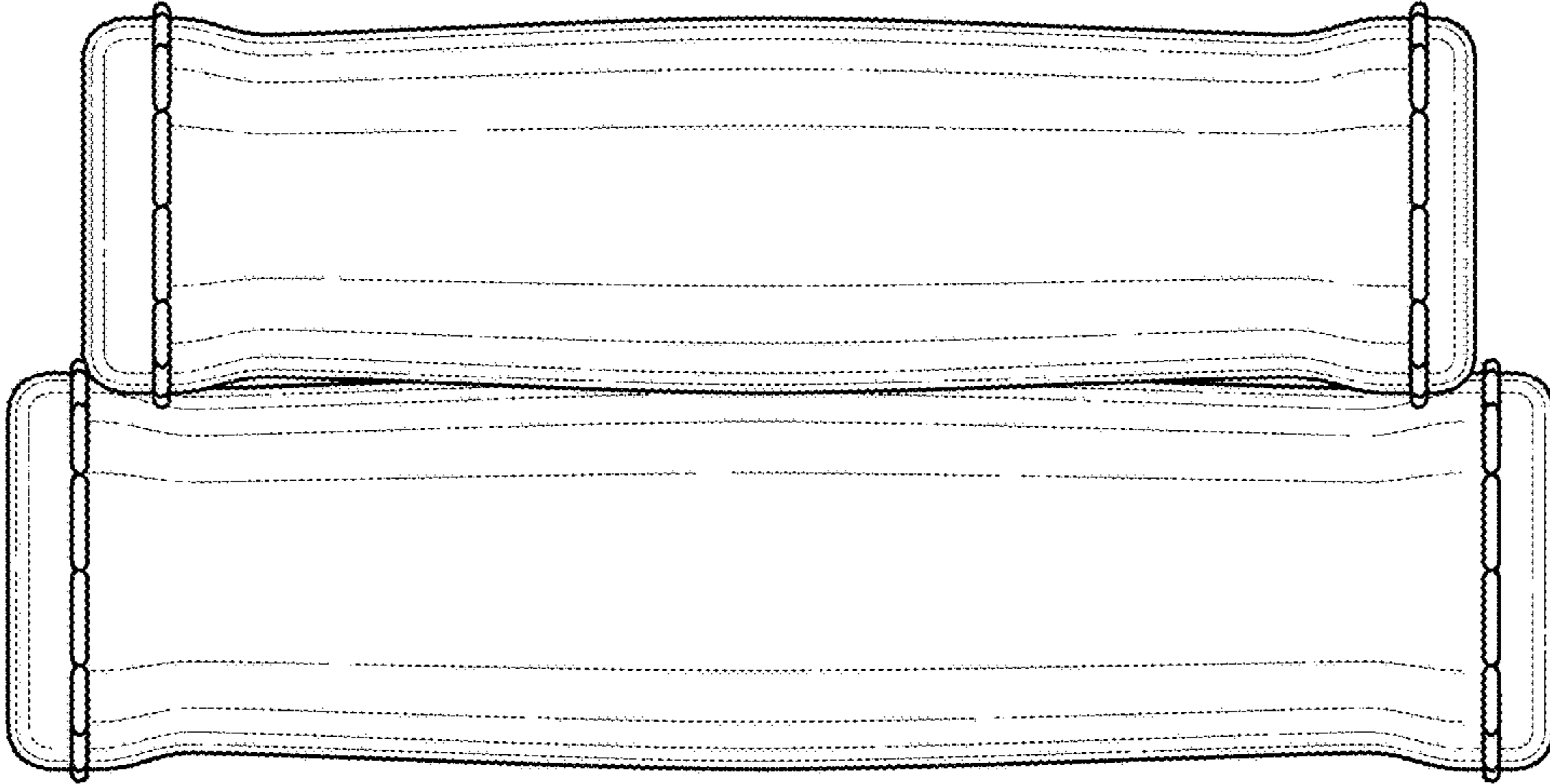


FIG. 8

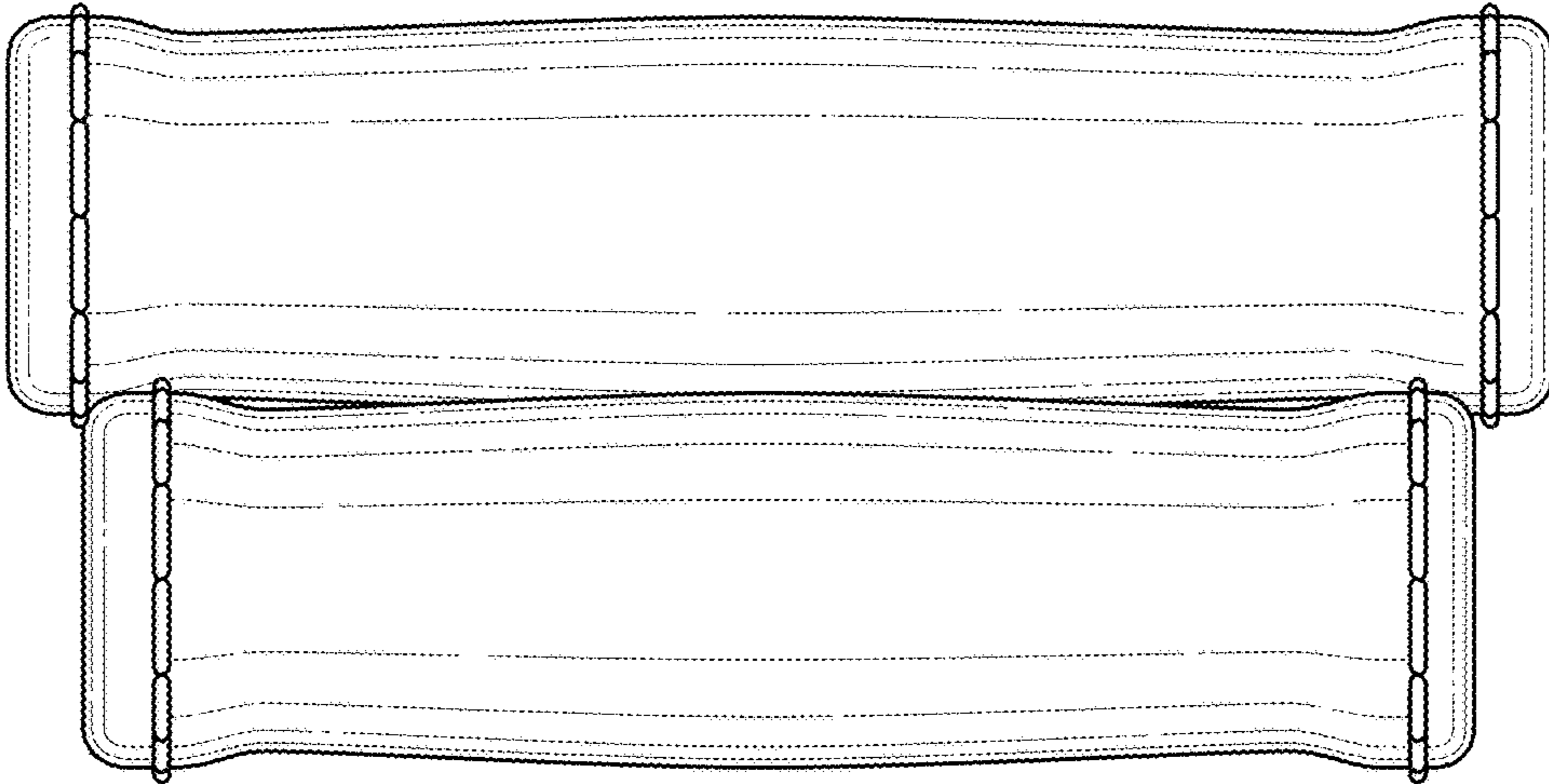


FIG. 7