



US00D777993S

(12) **United States Design Patent**
Green

(10) **Patent No.:** **US D777,993 S**

(45) **Date of Patent:** **** Jan. 31, 2017**

- (54) **DOG BOWL FEEDING TABLE**
- (71) Applicant: **April Green**, El Dorado Hills, CA (US)
- (72) Inventor: **April Green**, El Dorado Hills, CA (US)
- (**) Term: **15 Years**
- (21) Appl. No.: **29/554,685**
- (22) Filed: **Feb. 13, 2016**
- (51) **LOC (10) Cl.** **30-03**
- (52) **U.S. Cl.**
USPC **D30/133; D30/131; D30/130; D30/121**
- (58) **Field of Classification Search**
USPC D30/133, 121, 128, 130, 132; 119/52.1,
119/55, 61.5, 61.6, 61.57, 61.56;
D6/480-485; 248/188; 312/204;
108/153.1-157
CPC A01K 5/00; A01K 5/01; A01K 5/0107;
A01K 5/0114; A01K 5/0121; A01K
5/0128; A01K 5/0135; A01K 7/005
See application file for complete search history.

(56) **References Cited**

U.S. PATENT DOCUMENTS

- 2,896,829 A * 7/1959 Bright A47G 23/0641
211/74
- 3,117,816 A * 1/1964 De Sena A47B 83/008
108/32
- D234,318 S * 2/1975 Starrett 62/458
- 3,939,986 A * 2/1976 Pierro B60N 3/103
108/44
- 4,105,091 A * 8/1978 Mahan B25H 1/06
182/151
- 4,122,918 A * 10/1978 Danks B25H 1/06
182/186.3
- D255,752 S * 7/1980 Kallstrom D7/552.2
- 4,681,187 A * 7/1987 Brown B25H 1/06
182/129
- D358,158 S * 5/1995 Bush D16/222
- D359,862 S * 7/1995 Rousch D12/419

- D374,517 S * 10/1996 Morrill D30/133
- D377,244 S * 1/1997 Steininger D30/133
- D383,254 S * 9/1997 Feldman D30/129
- D424,759 S * 5/2000 Sipka D30/130
- D446,611 S * 8/2001 Gunter 119/51.01
- D478,193 S * 8/2003 Routh D30/131
- D506,294 S * 6/2005 Boje D30/133
- 6,920,986 B2 * 7/2005 Lacombe B25H 3/003
211/70.6
- D521,690 S * 5/2006 Krcek D30/133
- D552,803 S * 10/2007 White D30/133
- 7,658,267 B1 * 2/2010 Welsh B63C 11/22
108/25
- D646,440 S * 10/2011 Chance D30/130
- D686,784 S 7/2013 Elliott et al.
- D699,402 S * 2/2014 Diskin D30/129
- 9,226,478 B1 * 1/2016 Uhl A01K 5/0114

(Continued)

OTHER PUBLICATIONS

Kustomwood Pet Feeding Station, https://www.etsy.com/listing/160373387/reclaimed-rustic-pallet-furniture-dog?ref=shop_home_active_36, Sep. 3, 2016, 1 page.*

Primary Examiner — Susan Moon Lee

(74) *Attorney, Agent, or Firm* — Raj Abhyanker, P.C.

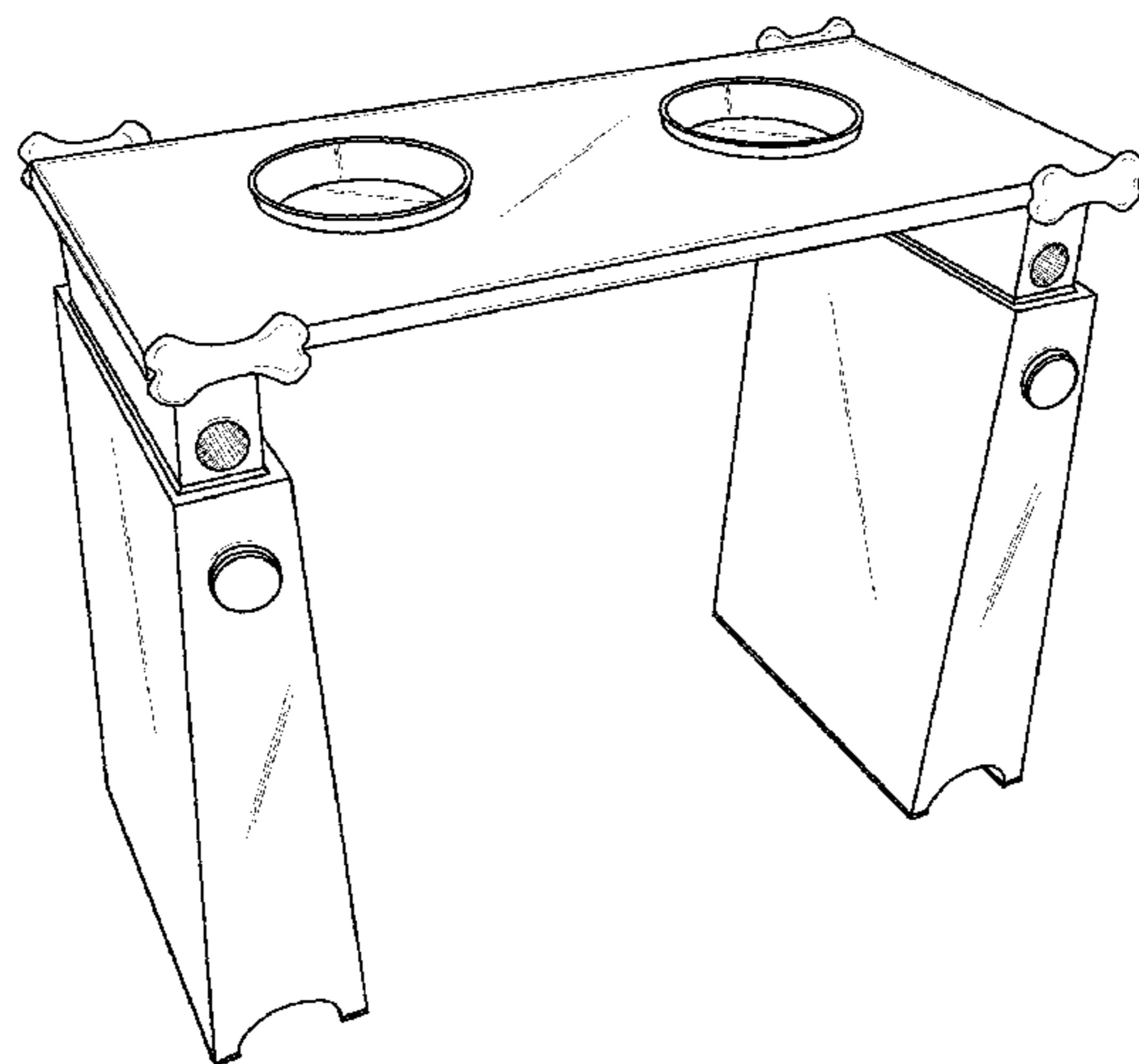
(57) **CLAIM**

The ornamental design for a dog bowl feeding table, as shown and described.

DESCRIPTION

FIG. 1 is a left front top perspective view for a dog bowl feeding table, showing my new design; FIG. 2 is a front elevational view thereof; FIG. 3 is a rear elevational view thereof; FIG. 4 is a left side elevational view thereof; FIG. 5 is a right side elevational view thereof; FIG. 6 is a top plan view thereof; and, FIG. 7 is a bottom plan view thereof.

1 Claim, 7 Drawing Sheets



(56)

References Cited

U.S. PATENT DOCUMENTS

2008/0314332 A1* 12/2008 Jacobs A01K 5/0114
119/709
2014/0060443 A1* 3/2014 Swift A01K 5/0114
119/61.56

* cited by examiner

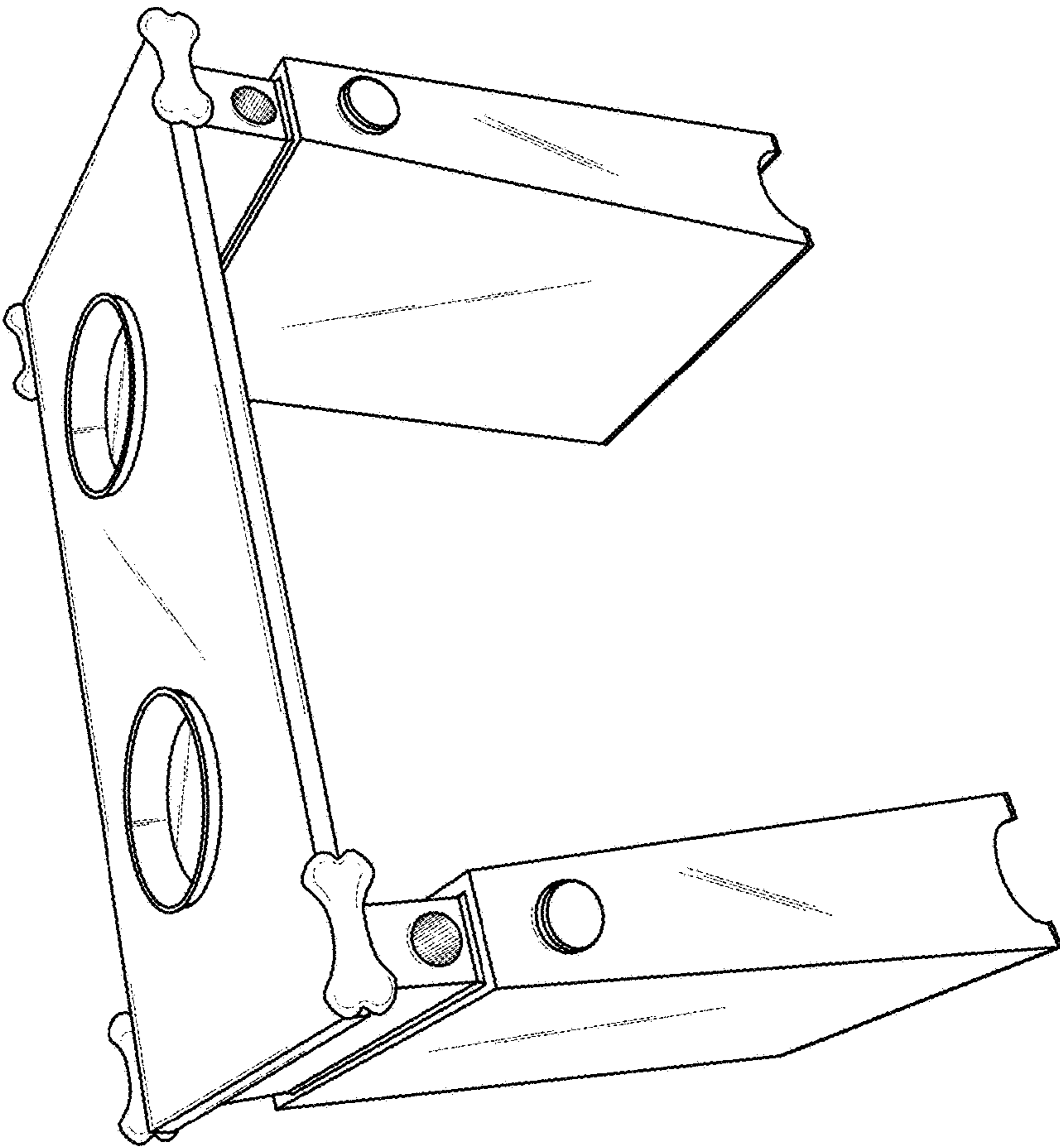


FIG. 1

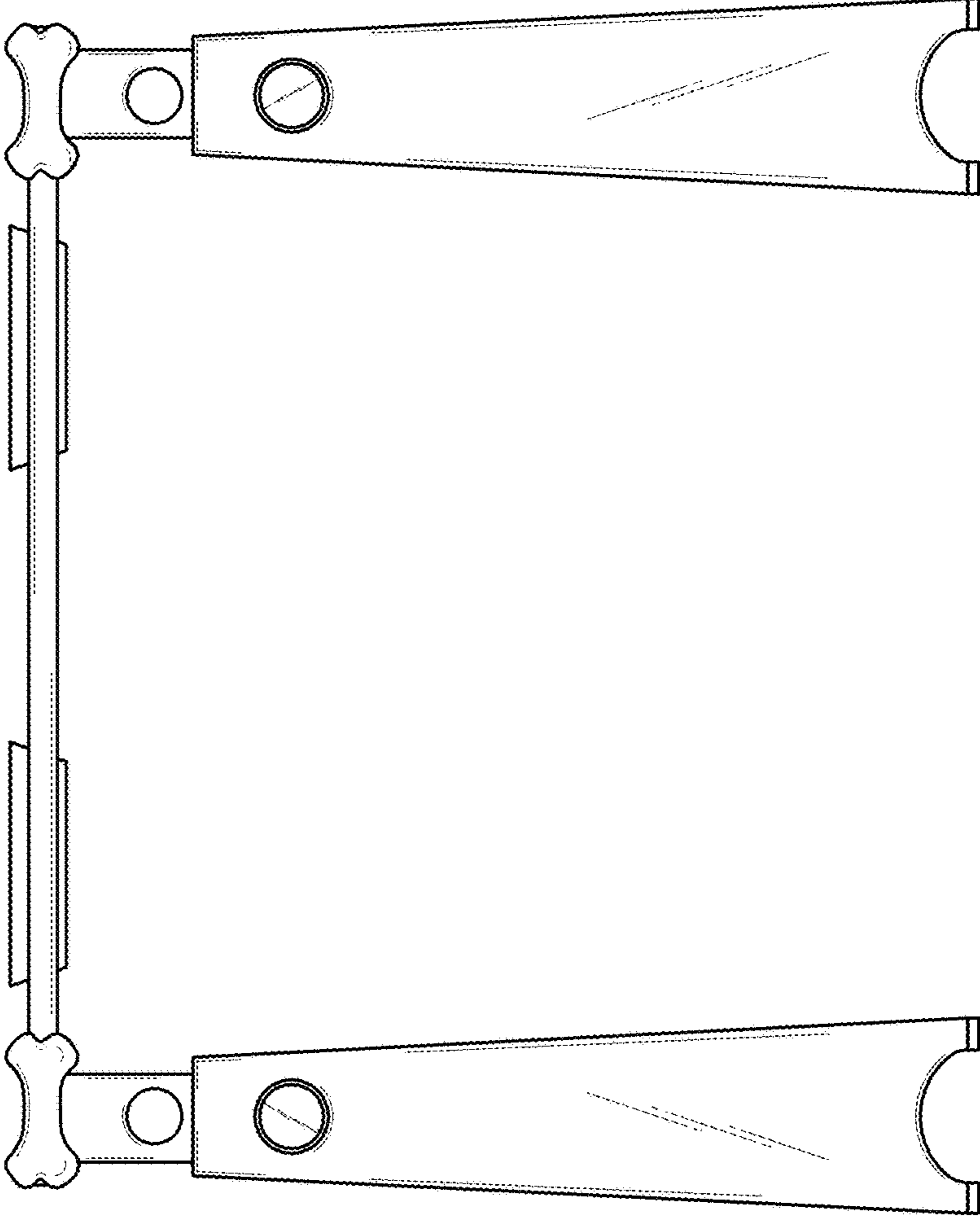


FIG. 2

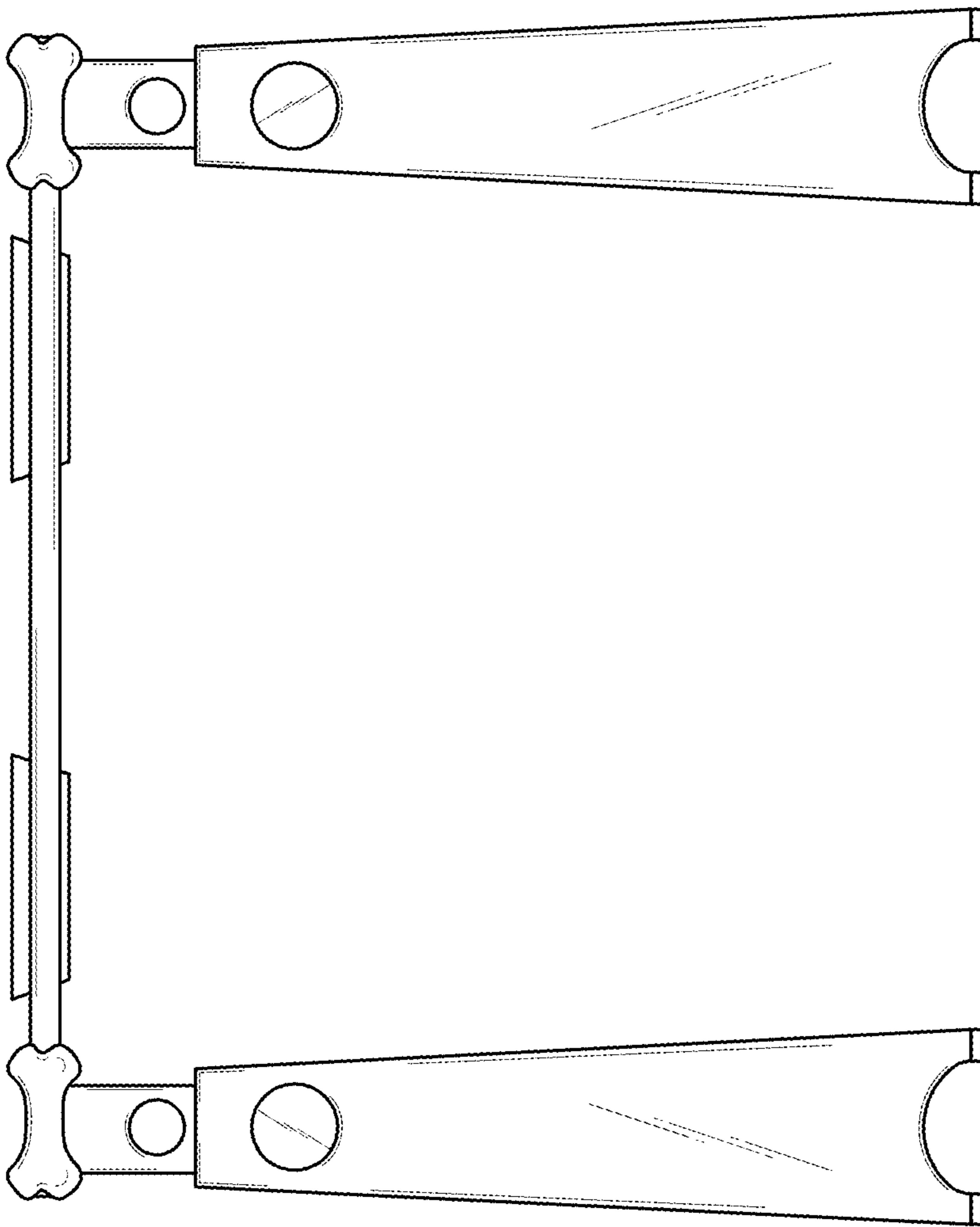


FIG. 3

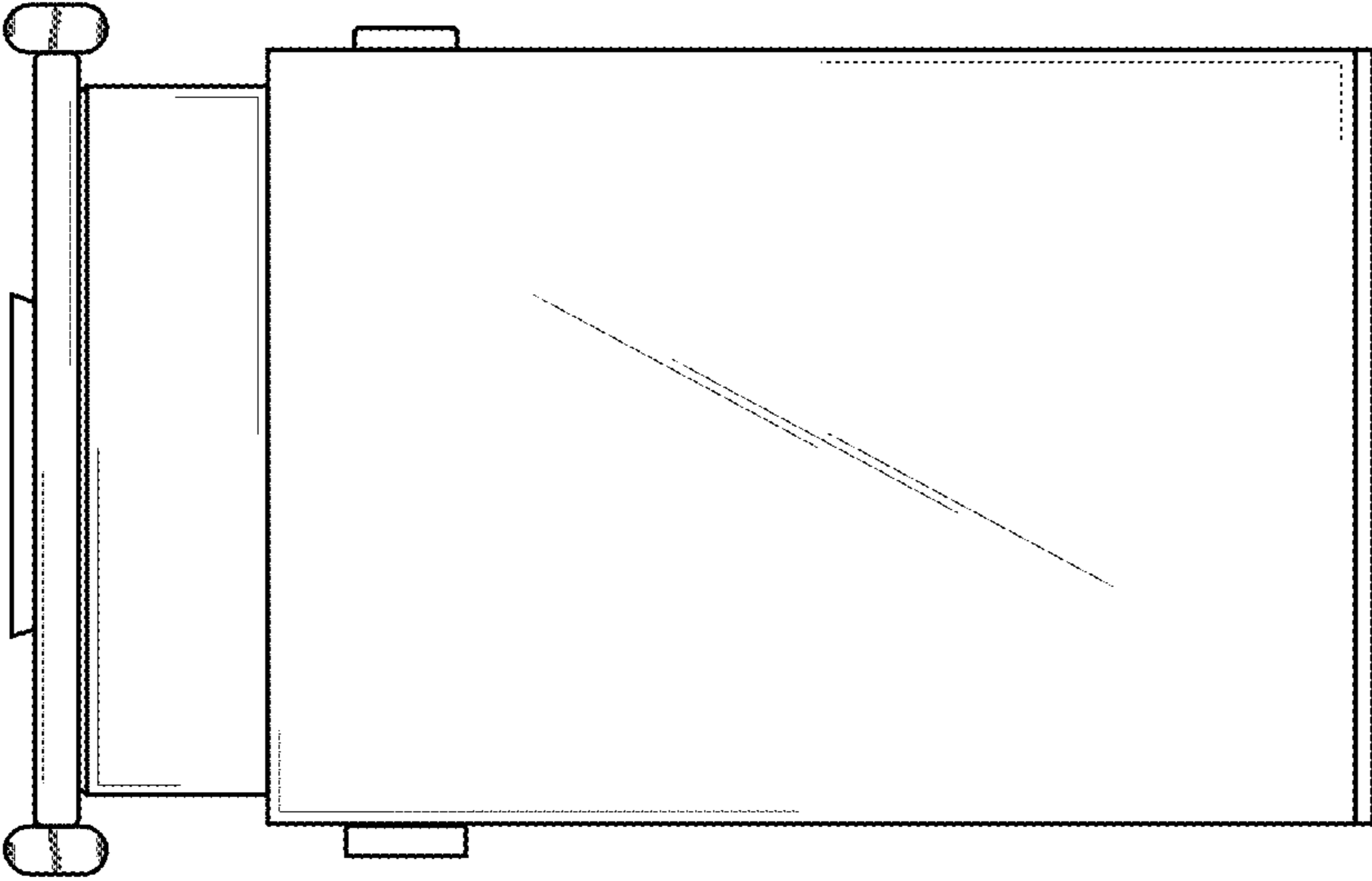


FIG. 4

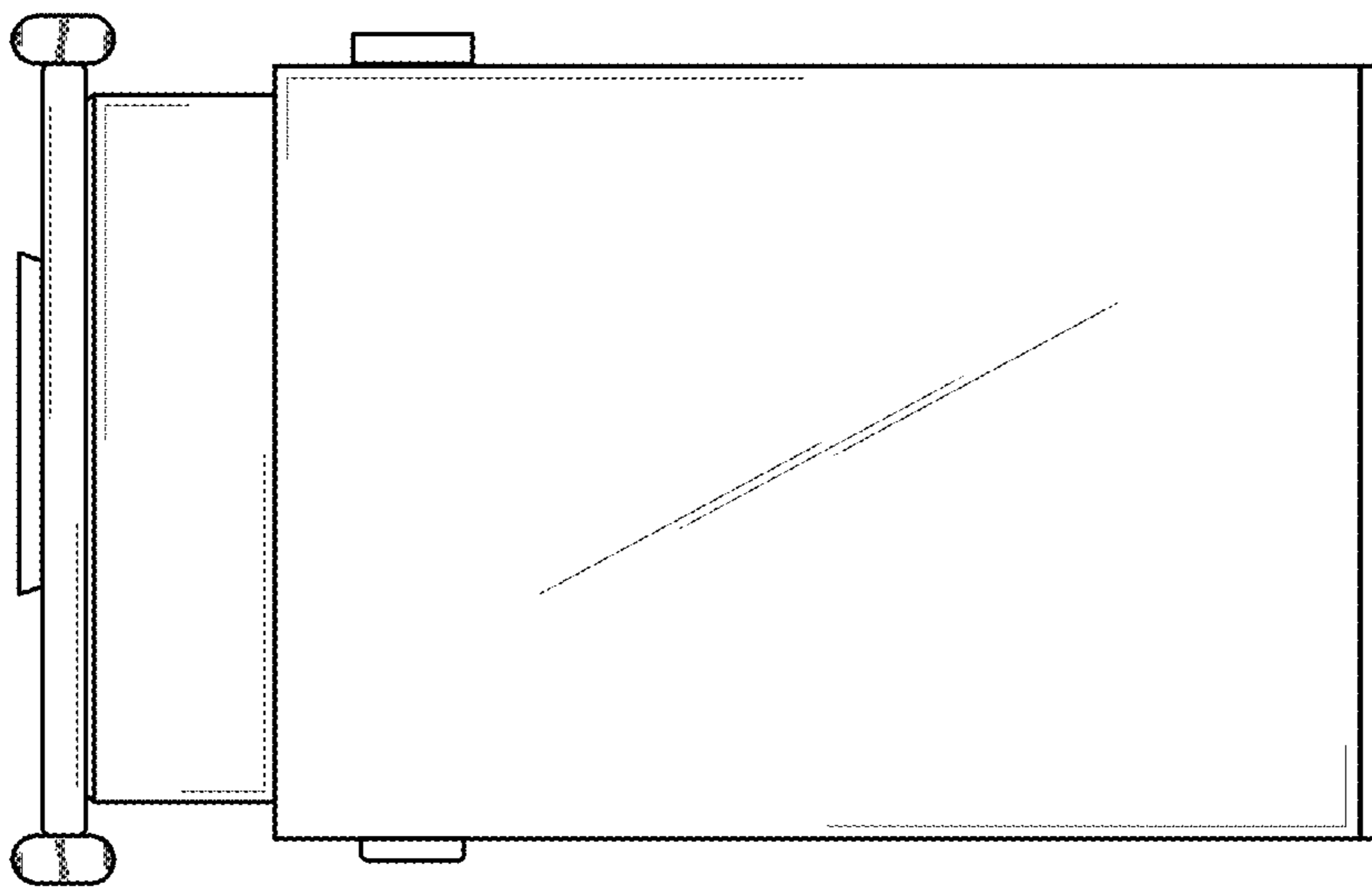


FIG. 5

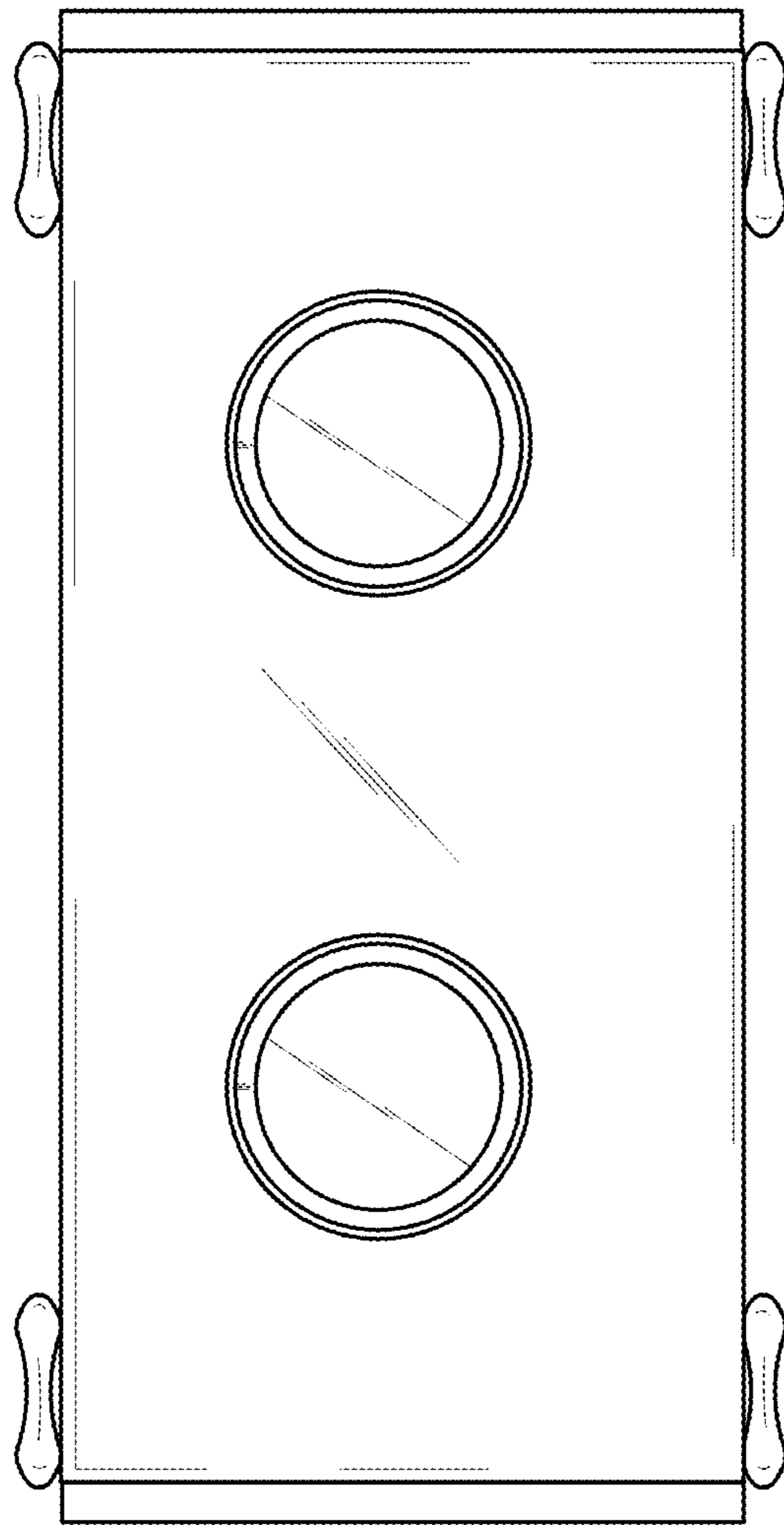


FIG. 6

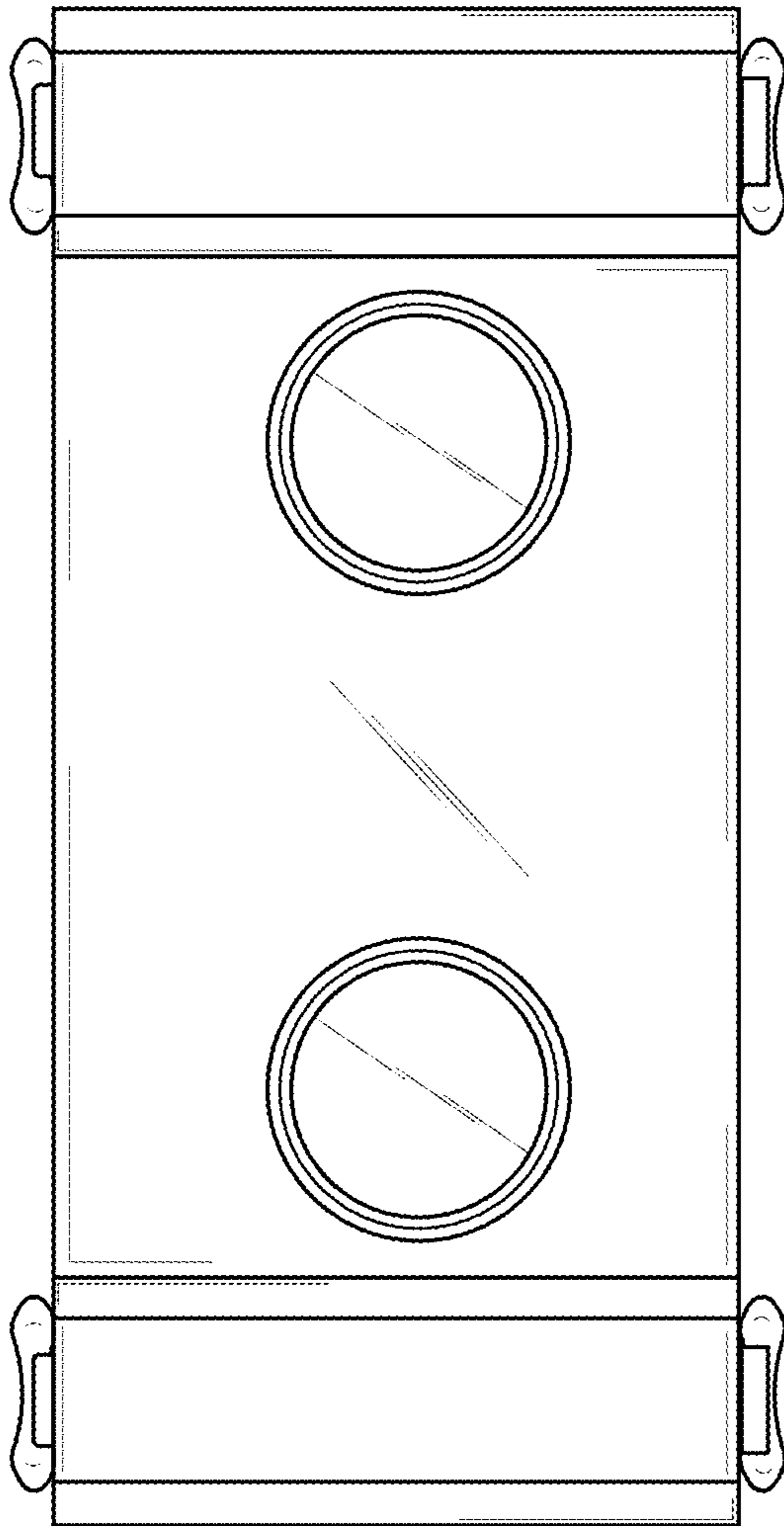


FIG. 7