



US00D777991S

(12) **United States Design Patent** (10) **Patent No.:** **US D777,991 S**  
**Rousseau et al.** (45) **Date of Patent:** **\*\* Jan. 31, 2017**

(54) **FIRE EXTINGUISHER**  
(71) Applicants: **Hector Rousseau**, Riverside, CA (US);  
**Randy Rousseau**, Riverside, CA (US);  
**Ryan H. Barrows**, Eau Claire, WI  
(US); **Justun C. Seymour**, Eau Claire,  
WI (US)  
(72) Inventors: **Hector Rousseau**, Riverside, CA (US);  
**Randy Rousseau**, Riverside, CA (US);  
**Ryan H. Barrows**, Eau Claire, WI  
(US); **Justun C. Seymour**, Eau Claire,  
WI (US)

D152,645 S 2/1948 Nurkiewicz  
D152,650 S 2/1949 Phister  
D152,718 S 2/1949 Meyer  
D152,812 S 2/1949 Mapes  
D153,320 S 4/1949 Raskob et al.  
D155,456 S 10/1949 Seaberg  
D158,263 S 4/1950 Gordon  
D164,346 S 8/1951 Allen  
D169,641 S 5/1953 Schroeder, Jr.  
D171,066 S 12/1953 Van Sciver  
D172,373 S 6/1954 Wagner  
D199,980 S 1/1965 Huthsing, Jr.  
D202,341 S 9/1965 Rodgers  
D203,979 S 3/1966 Brennan et al.  
D207,260 S 3/1967 Jensen  
D215,654 S 10/1969 Huthsing, Jr.  
3,650,329 A \* 3/1972 Sachs ..... A62C 13/003  
169/71  
D228,900 S 10/1973 Hogg  
D237,895 S 12/1975 Allen  
D244,392 S 5/1977 Montambo  
D250,353 S 11/1978 Avant  
4,899,826 A 2/1990 Penn  
D307,648 S 5/1990 Arrington  
D328,158 S 7/1992 Levy  
D328,368 S \* 7/1992 Levy ..... D29/126  
D336,090 S \* 6/1993 Lacorazza ..... D15/7

(73) Assignee: **RUSOH INC.**, Eau Claire, WI (US)

(\*\*) Term: **14 Years**

(21) Appl. No.: **29/526,021**

(22) Filed: **May 5, 2015**

(51) **LOC (10) Cl.** ..... **29-02**

(52) **U.S. Cl.**  
USPC ..... **D29/125**

(58) **Field of Classification Search**  
USPC ..... D23/355-369, 213, 214, 223, 224, 225,  
D23/231; D28/5, 6; 261/DIG. 17,  
261/DIG. 42, DIG. 65, DIG. 88, DIG. 89,  
261/DIG. 47, DIG. 55, DIG. 70; 392/356,  
392/390, 392, 394, 395; 239/34, 44, 53,  
239/55, 56, 326, 60, 308, 589; D9/687,  
D9/600, 695; D7/591; D29/125, 126,  
D29/129, 130; 169/7, 89; 222/210, 324  
CPC ..... A62C 2/00; A62C 8/00; A62C 13/76;  
A62C 13/64  
See application file for complete search history.

(56) **References Cited**  
U.S. PATENT DOCUMENTS

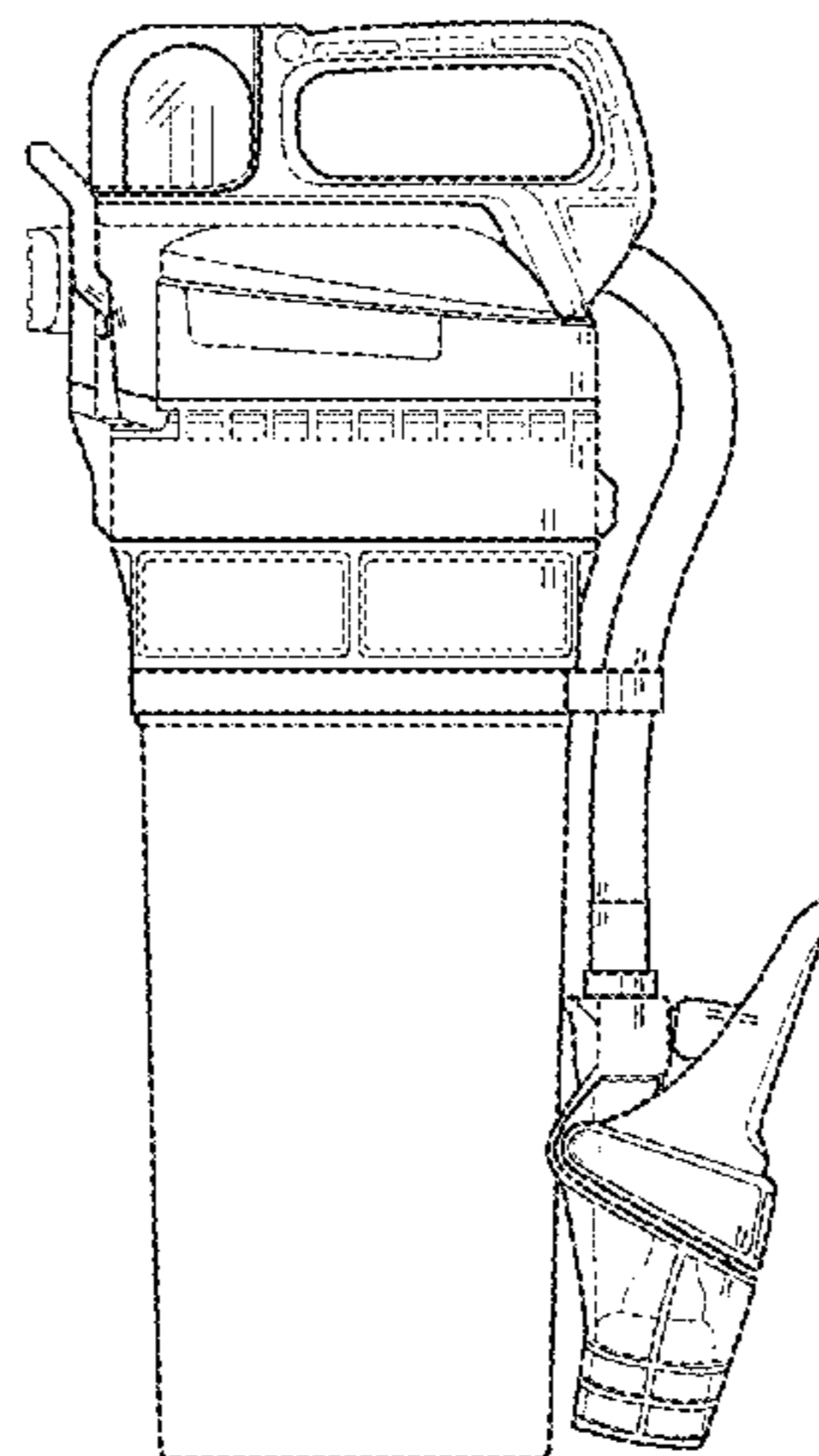
D59,319 S 10/1921 Andrews  
D121,011 S 3/1940 Grant, Jr.  
D152,612 S 9/1947 Guise et al.

*Primary Examiner* — Randall Gholson  
(74) *Attorney, Agent, or Firm* — Kirk A. Buhler;  
Buhler & Associates

(57) **CLAIM**  
The ornamental design for a fire extinguisher, as shown and  
described.

**DESCRIPTION**  
FIG. 1 is a front view for a fire extinguisher showing my new  
design;  
FIG. 2 is a right side view thereof;  
FIG. 3 is a rear side view thereof;  
FIG. 4 is a left side view thereof;  
FIG. 5 is a top side view thereof; and,  
FIG. 6 is a bottom side view.

**1 Claim, 6 Drawing Sheets**



(56)

**References Cited**

U.S. PATENT DOCUMENTS

D348,677 S \* 7/1994 Phillips ..... D15/7  
D387,270 S \* 12/1997 Bifulco ..... D23/225  
D401,848 S \* 12/1998 Chappell ..... D29/126  
D486,945 S \* 2/2004 Brock ..... D29/126  
D488,589 S 4/2004 Yang et al.  
7,128,163 B1 10/2006 Rousseau  
7,318,484 B2 1/2008 Rousseau  
7,650,948 B2 1/2010 Rousseau  
D682,034 S \* 5/2013 El-Saden ..... D7/510  
D702,000 S \* 4/2014 Hudak ..... D29/125  
8,757,282 B2 \* 6/2014 Rousseau ..... A62C 13/003  
169/30  
8,820,423 B2 \* 9/2014 Rousseau ..... A62C 13/66  
169/71

\* cited by examiner

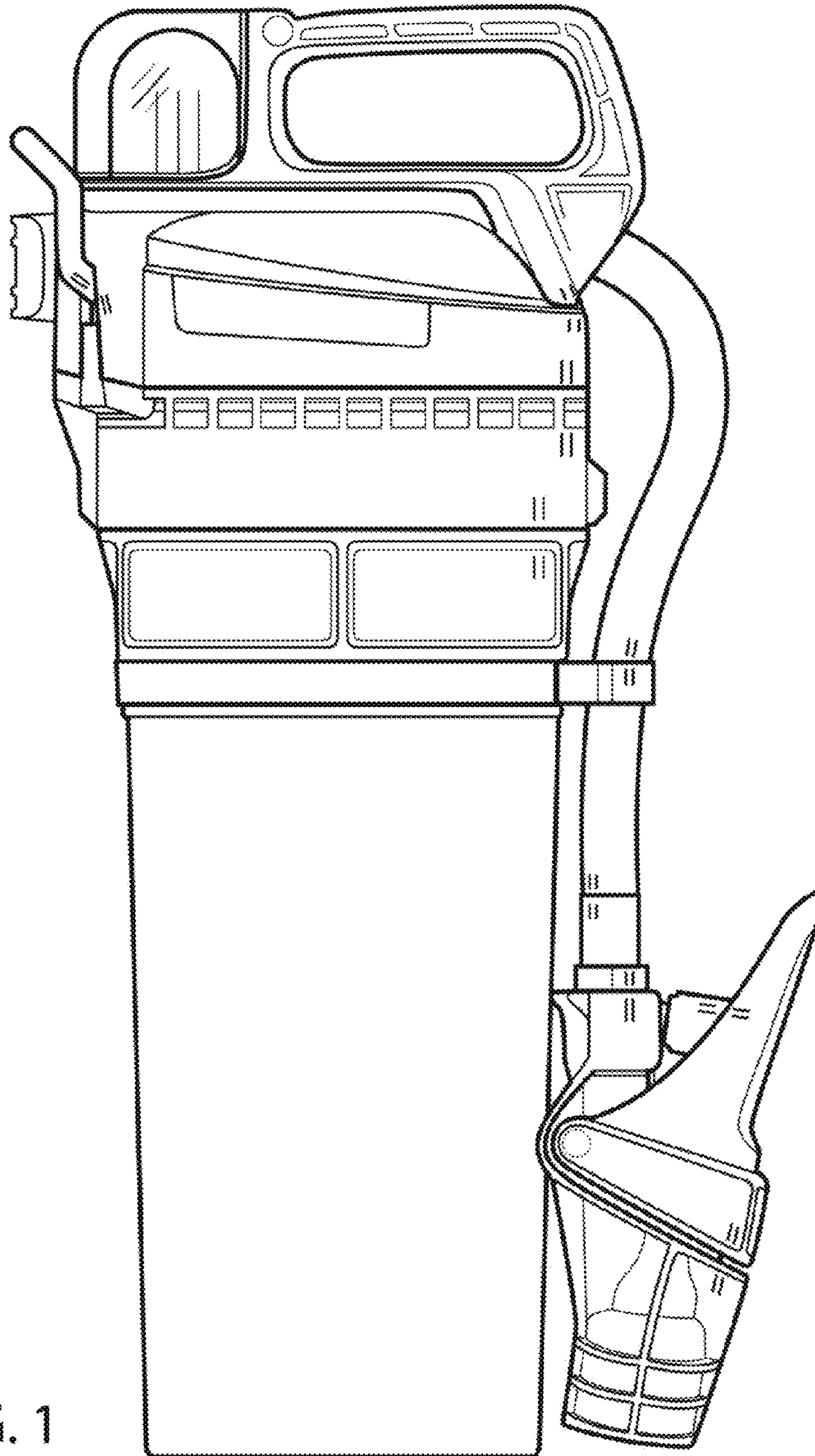


FIG. 1

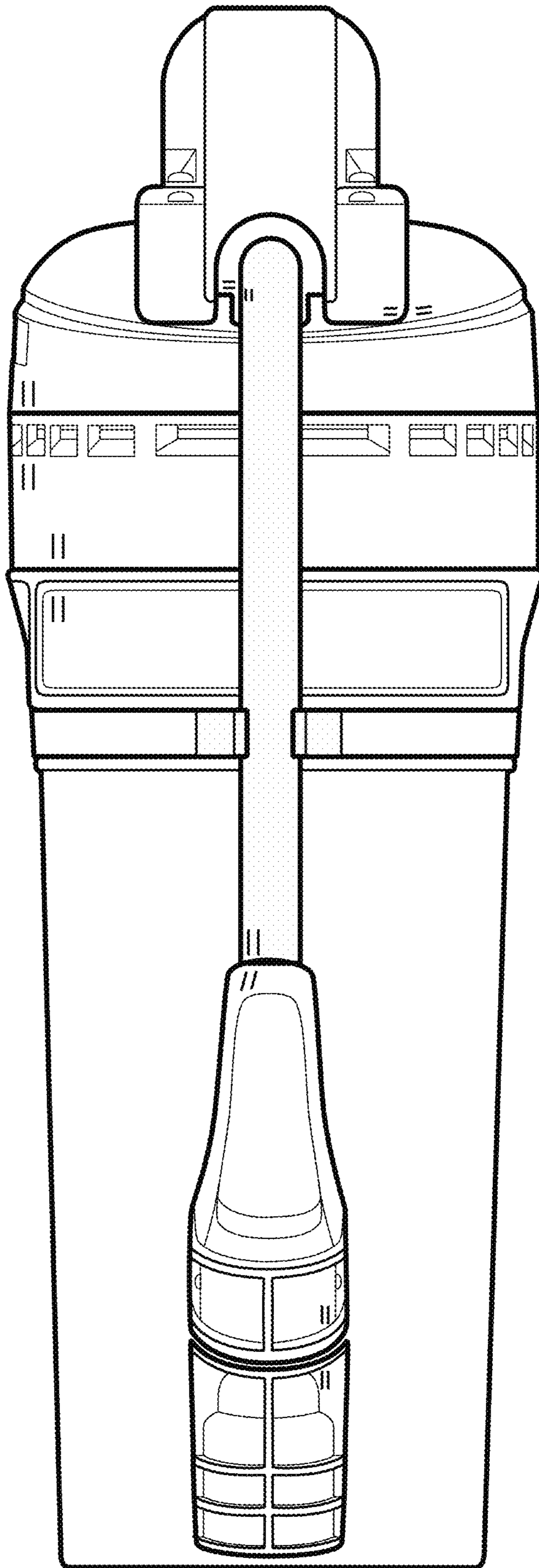


FIG. 2

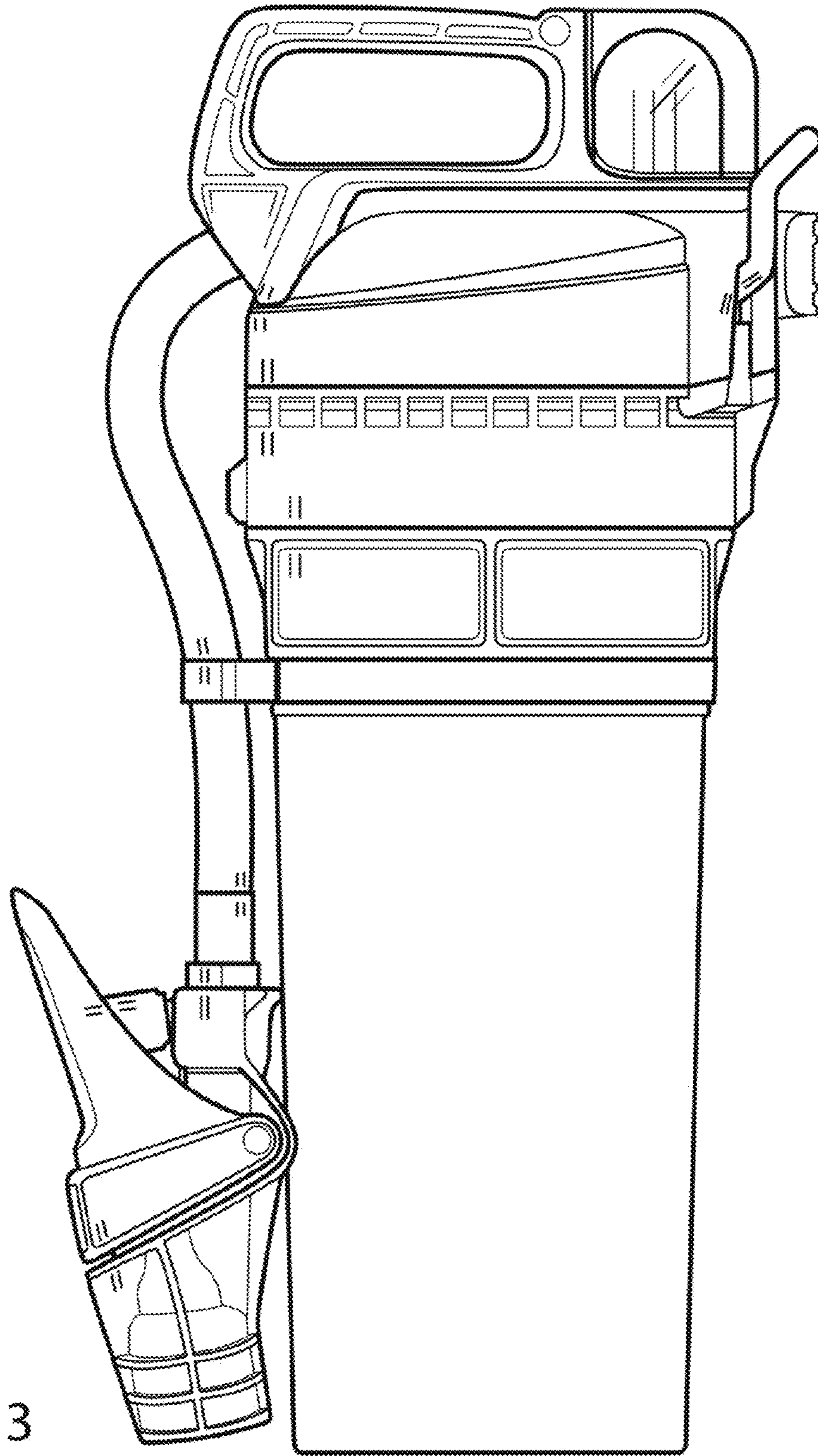


FIG. 3

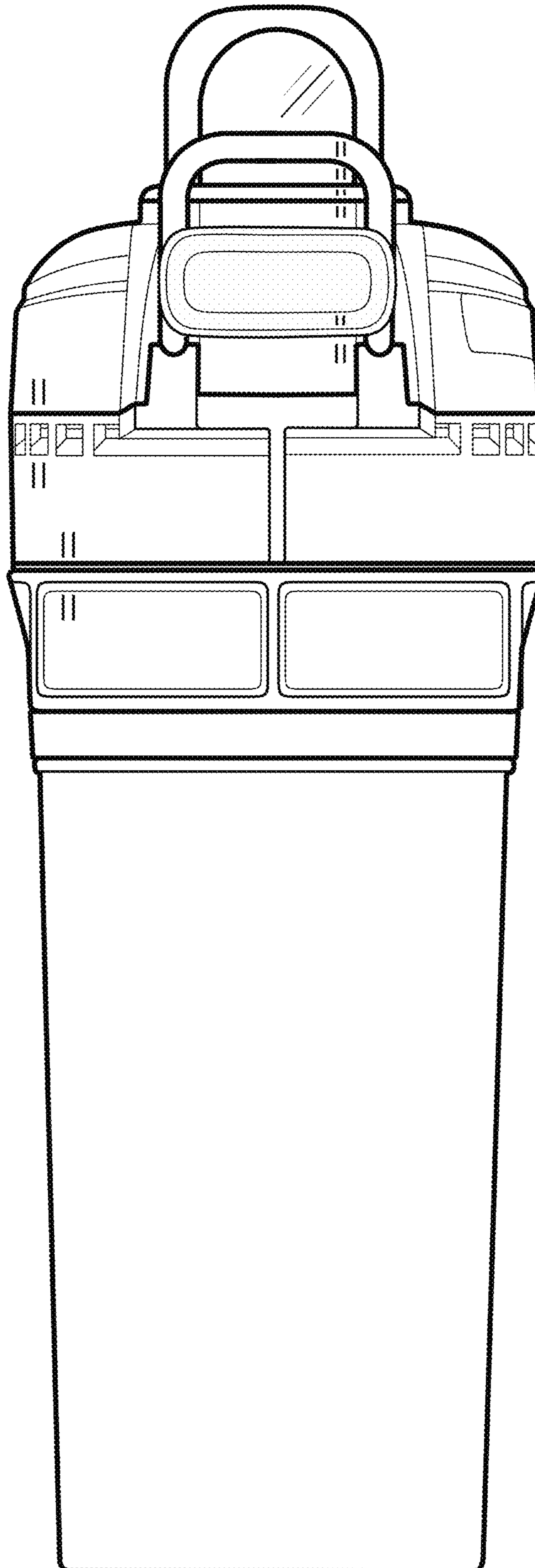


FIG. 4

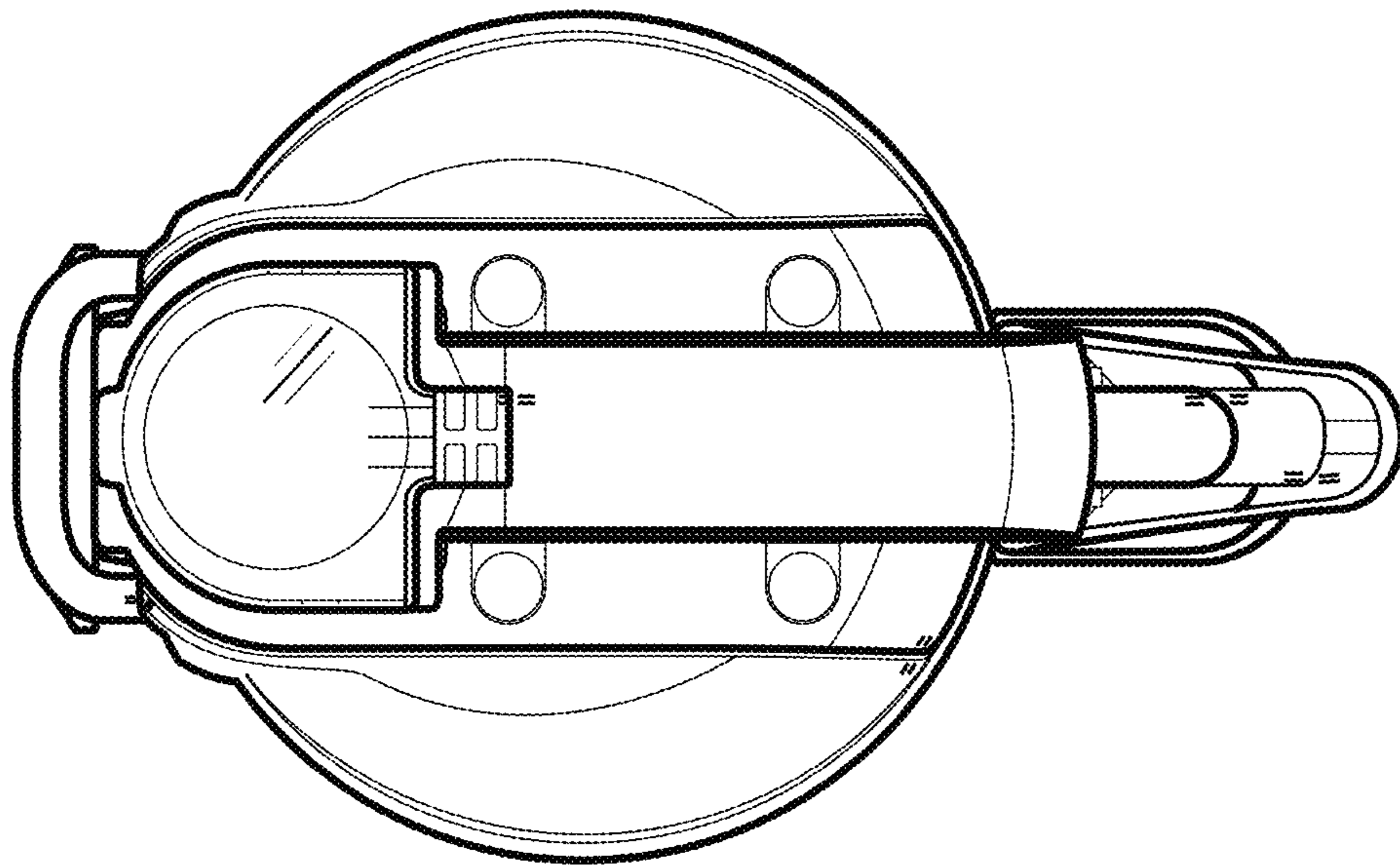


FIG. 5

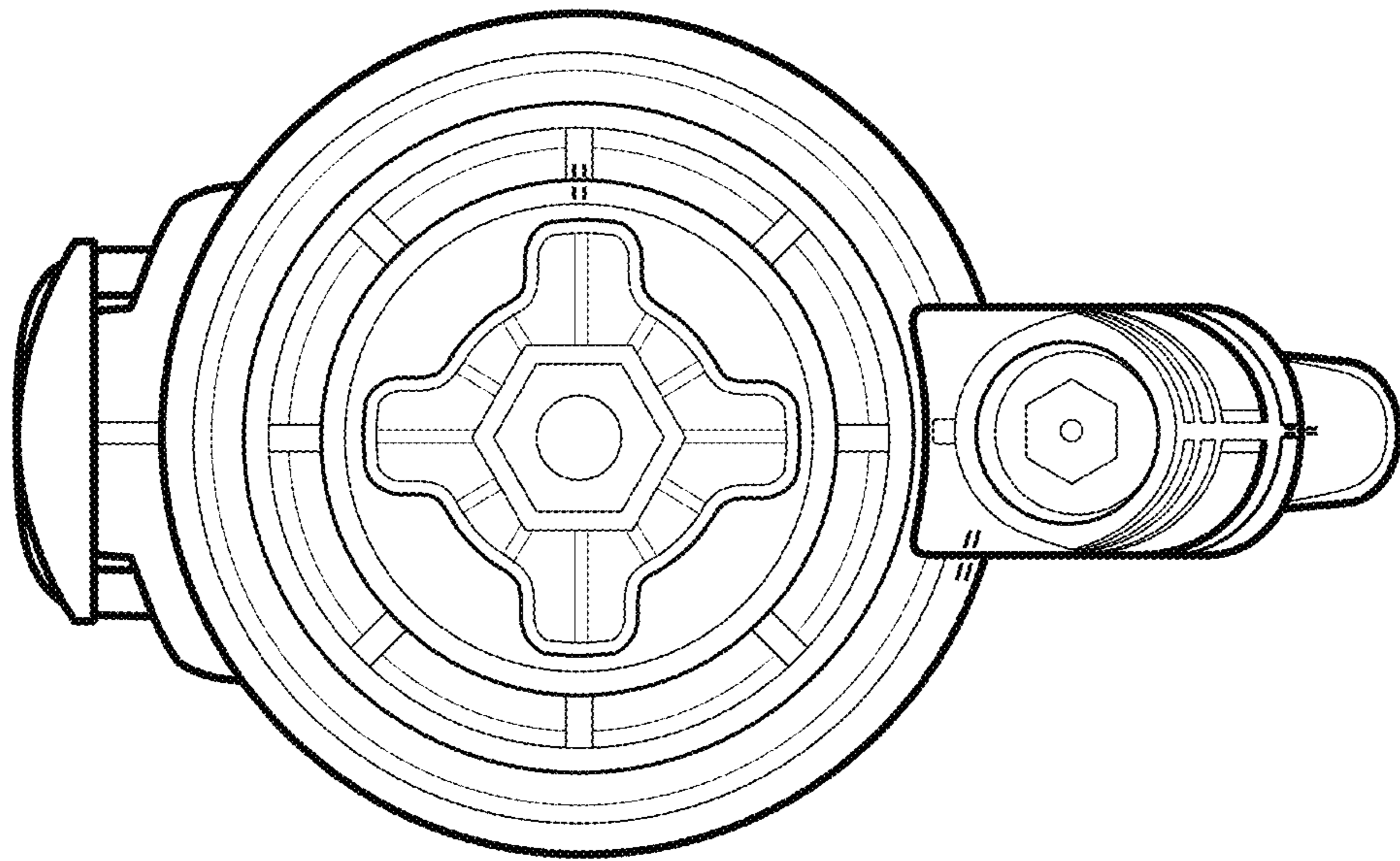


FIG. 6