



US00D777984S

(12) **United States Design Patent**
Son et al.

(10) **Patent No.:** **US D777,984 S**
(45) **Date of Patent:** **** Jan. 31, 2017**

- (54) **COMPACT**
- (71) Applicant: **AMOREPACIFIC CORPORATION**,
Seoul (KR)
- (72) Inventors: **Sung Eun Son**, Seoul (KR); **Ji Min Lee**, Seoul (KR)
- (73) Assignee: **AMOREPACIFIC CORPORATION**,
Seoul (KR)

D481,830 S *	11/2003	Murata	D28/79
D517,736 S *	3/2006	Shen	D28/82
D655,457 S *	3/2012	In	D28/82
D685,525 S *	7/2013	Chou	D28/81
D697,674 S *	1/2014	You	D28/82
D721,853 S *	1/2015	Koo	D28/82
D722,404 S *	2/2015	Son	D28/82
D722,405 S *	2/2015	Hwang	D28/82
D724,786 S *	3/2015	Jung	D28/82
D732,740 S *	6/2015	Yoon	D28/82
D742,070 S *	10/2015	Park	D28/82

* cited by examiner

- (**) Term: **15 Years**
- (21) Appl. No.: **29/539,731**
- (22) Filed: **Sep. 17, 2015**

Primary Examiner — Jennifer Rivard
(74) *Attorney, Agent, or Firm* — Browdy and Neimark, PLLC

(30) **Foreign Application Priority Data**

Mar. 18, 2015 (KR) 30-2015-0013757

- (51) **LOC (10) Cl.** **28-03**
- (52) **U.S. Cl.**
USPC **D28/82**

- (58) **Field of Classification Search**
USPC D28/4, 76-79, 82, 84; D9/500, 503-504
CPC A45D 2040/0012; A45D 33/00; A45D
33/003; A45D 33/006; A45D
33/18; A45D 40/22-40/222; A45D
2040/223-2040/228
See application file for complete search history.

(56) **References Cited**

U.S. PATENT DOCUMENTS

D411,105 S *	6/1999	Magidson	D28/82
D472,018 S *	3/2003	Murata	D28/82

(57) **CLAIM**

The ornamental design for a compact, as shown and described.

DESCRIPTION

FIG. 1 is a perspective view of new design for a compact as shown in the drawings;
FIG. 2 is a front elevation view thereof;
FIG. 3 is a rear elevation view thereof;
FIG. 4 is a left side view thereof;
FIG. 5 is a right side view thereof;
FIG. 6 is a top plan view thereof; and,
FIG. 7 is a bottom plan view thereof.

1 Claim, 5 Drawing Sheets

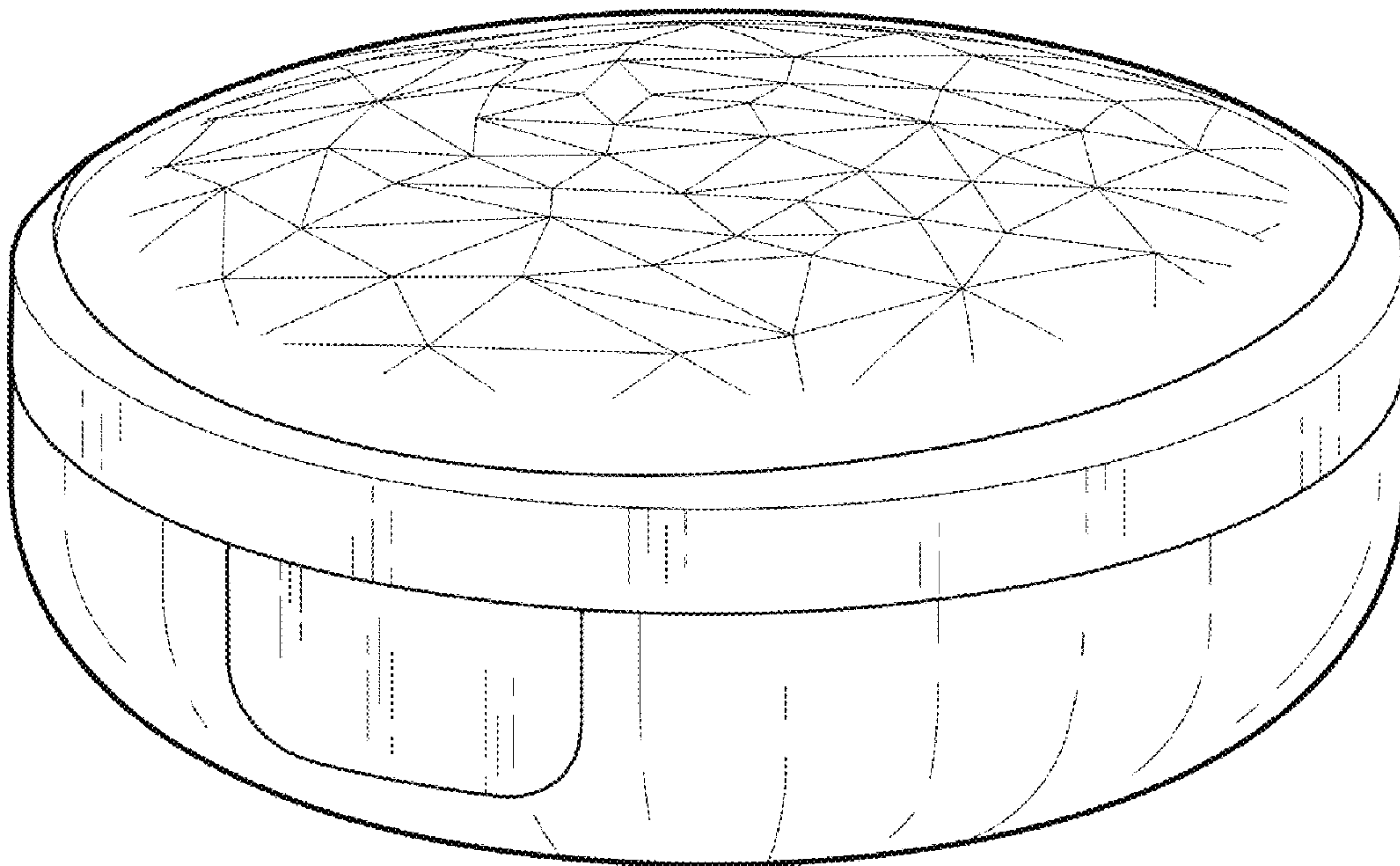


FIG. 1

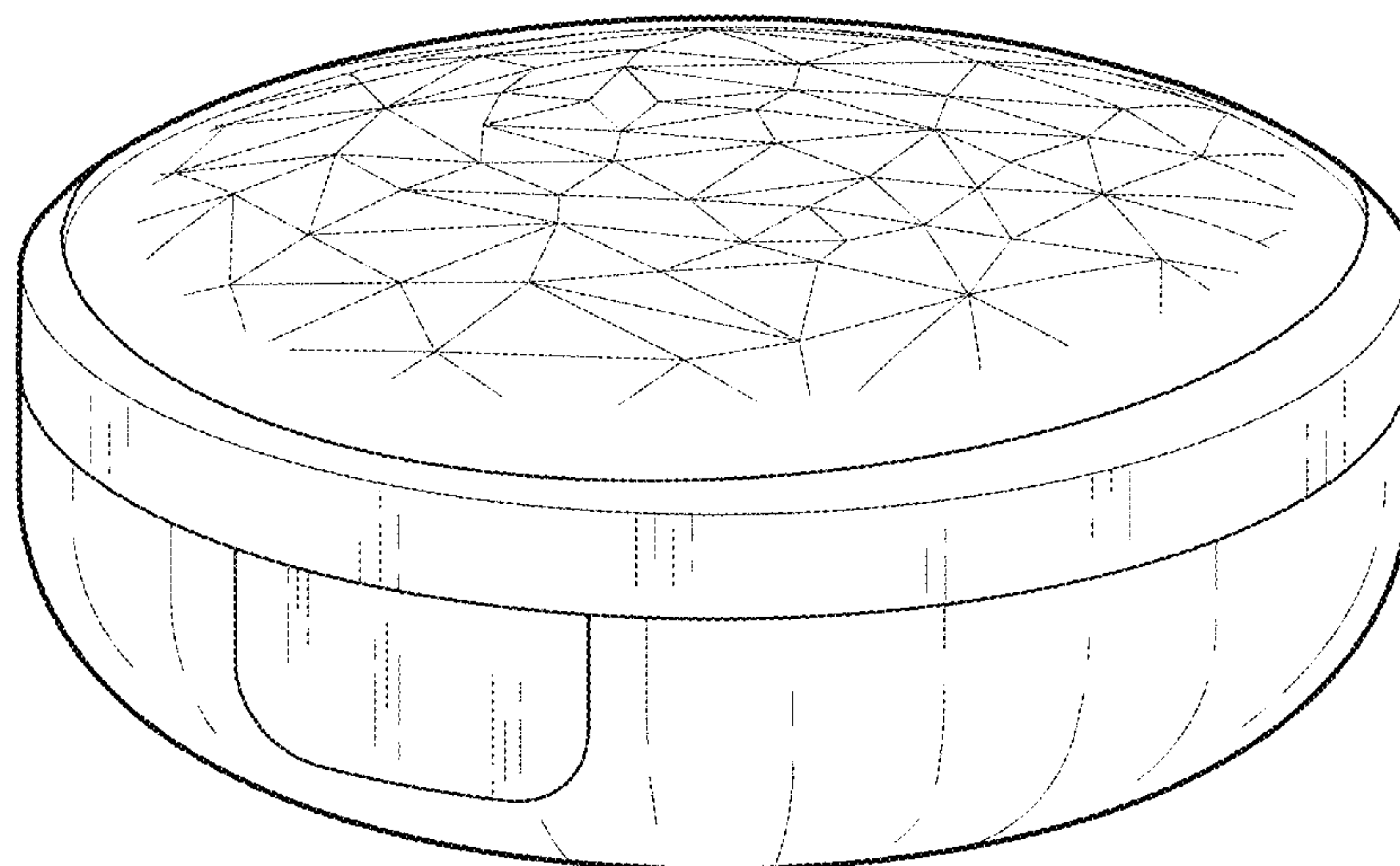


FIG. 2

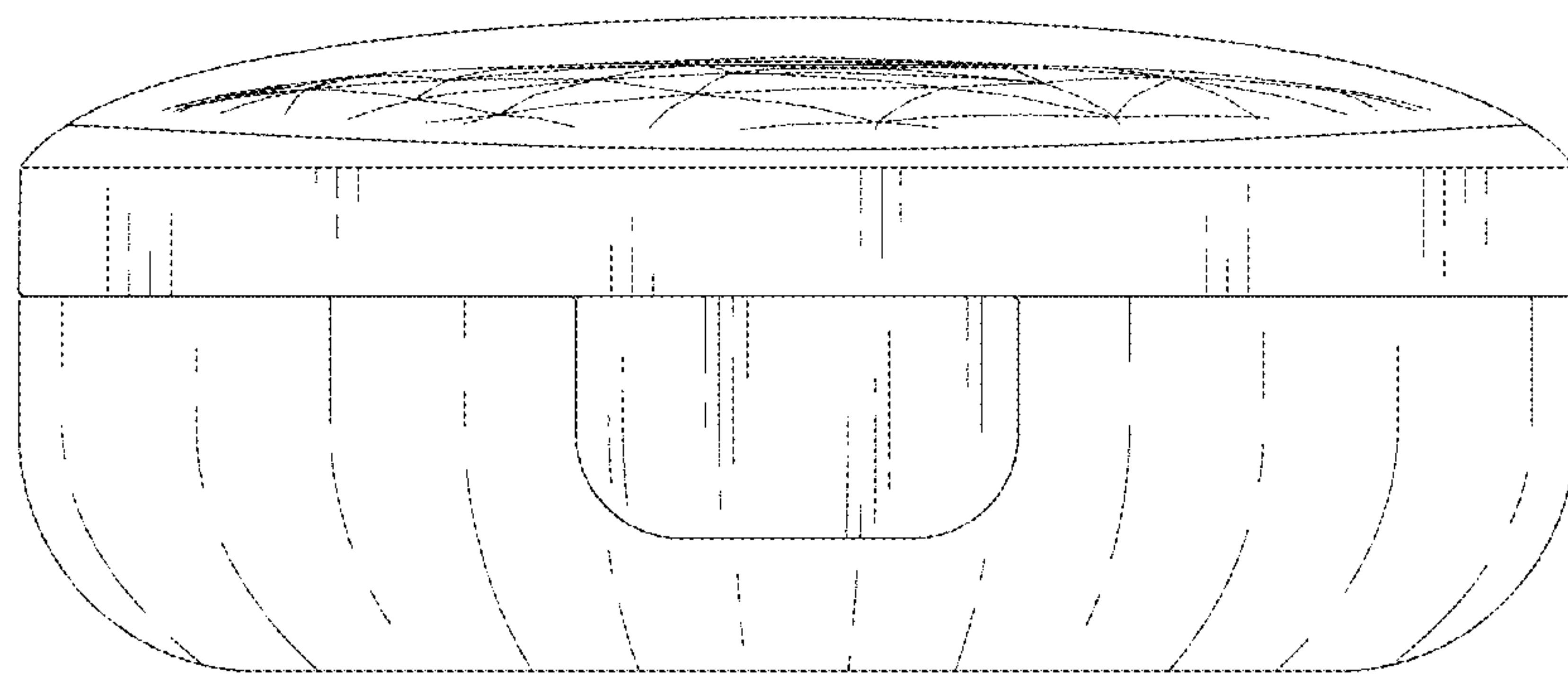


FIG. 3

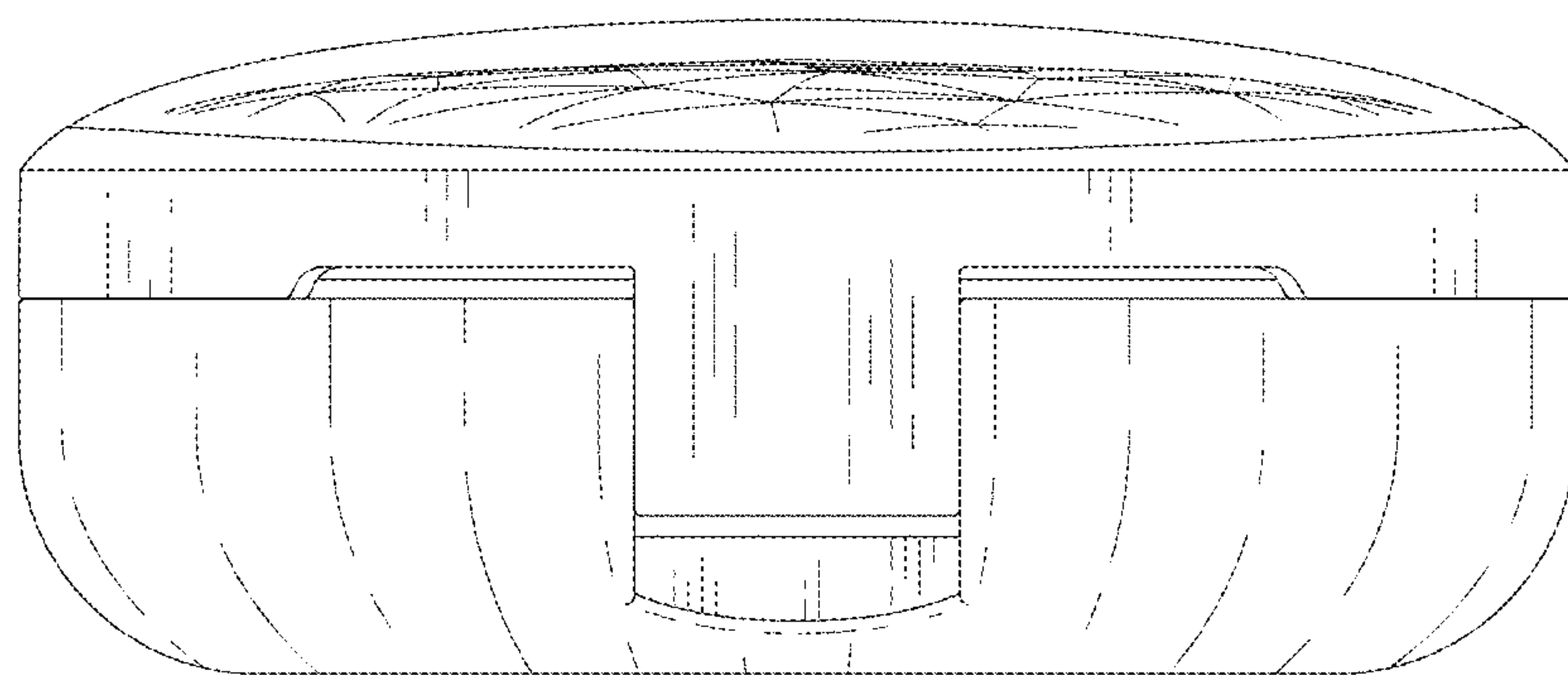


FIG. 4

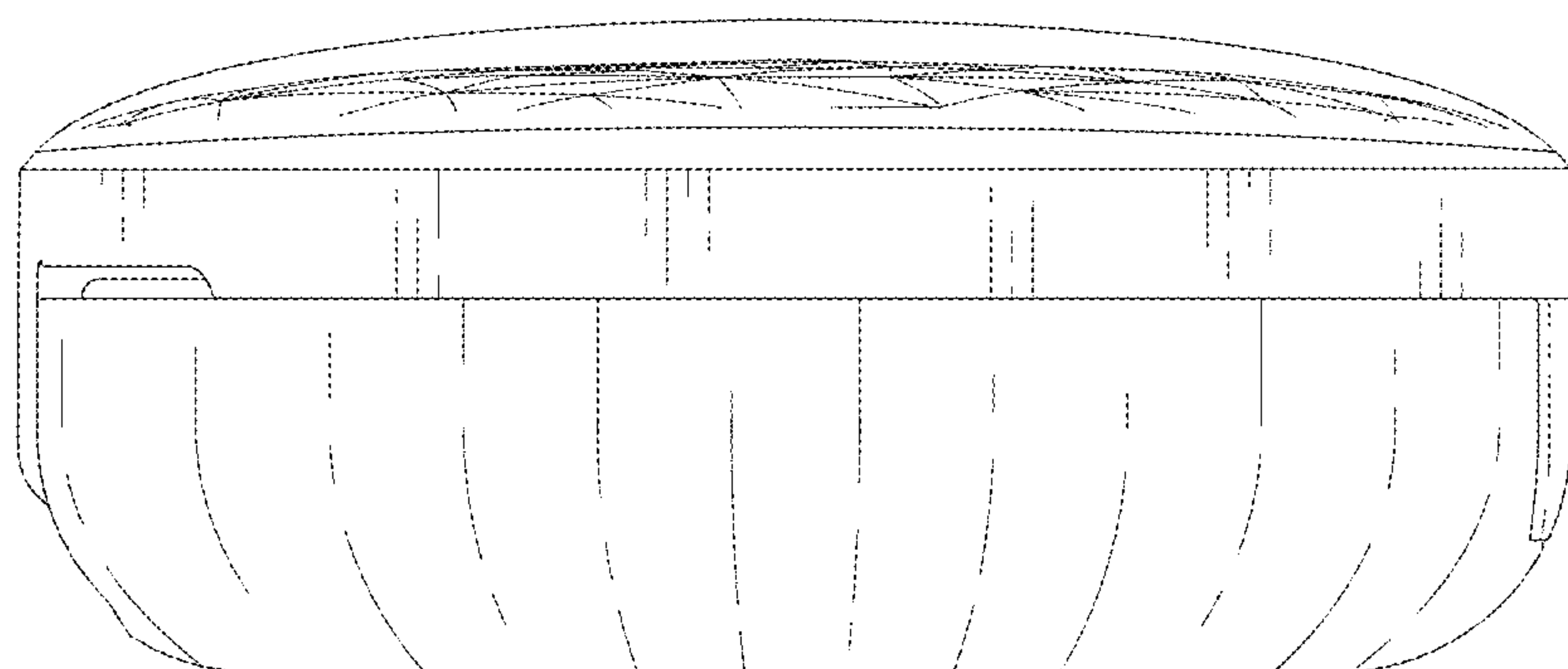


FIG. 5

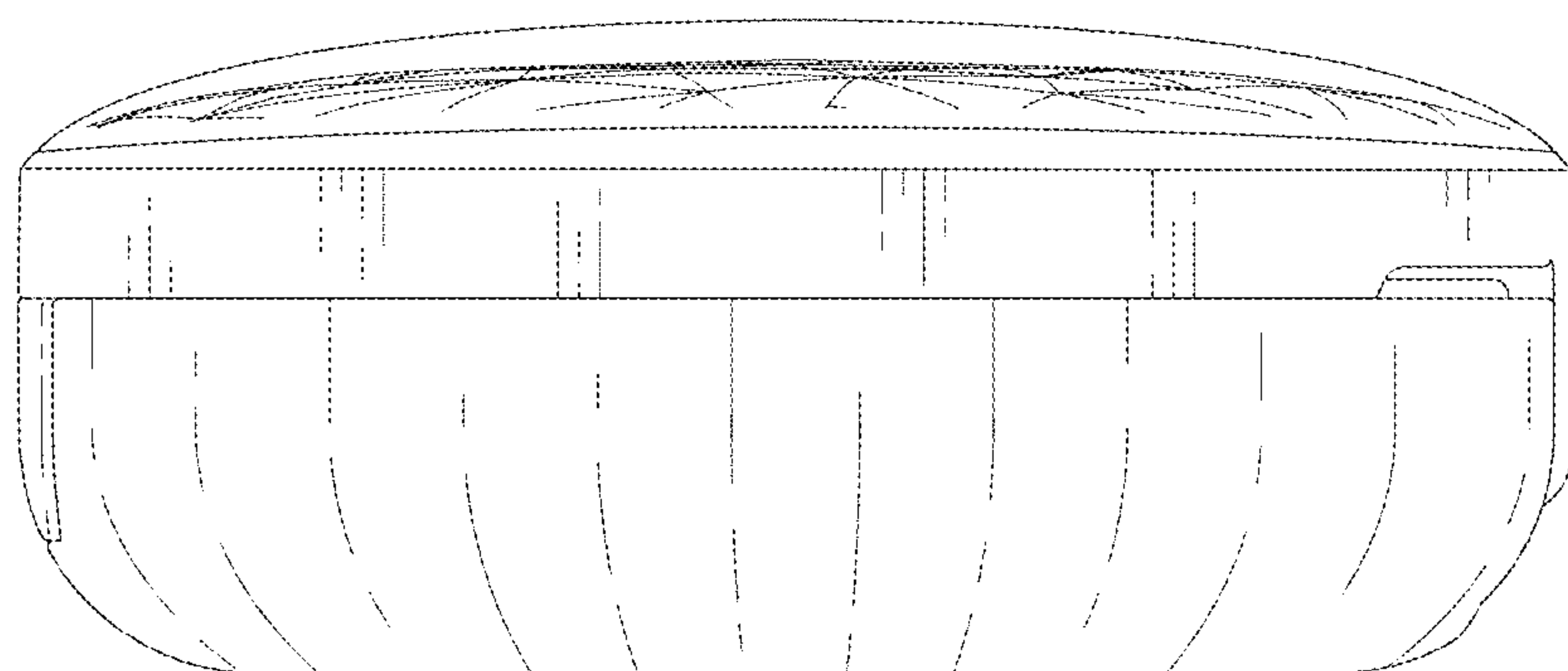


FIG. 6

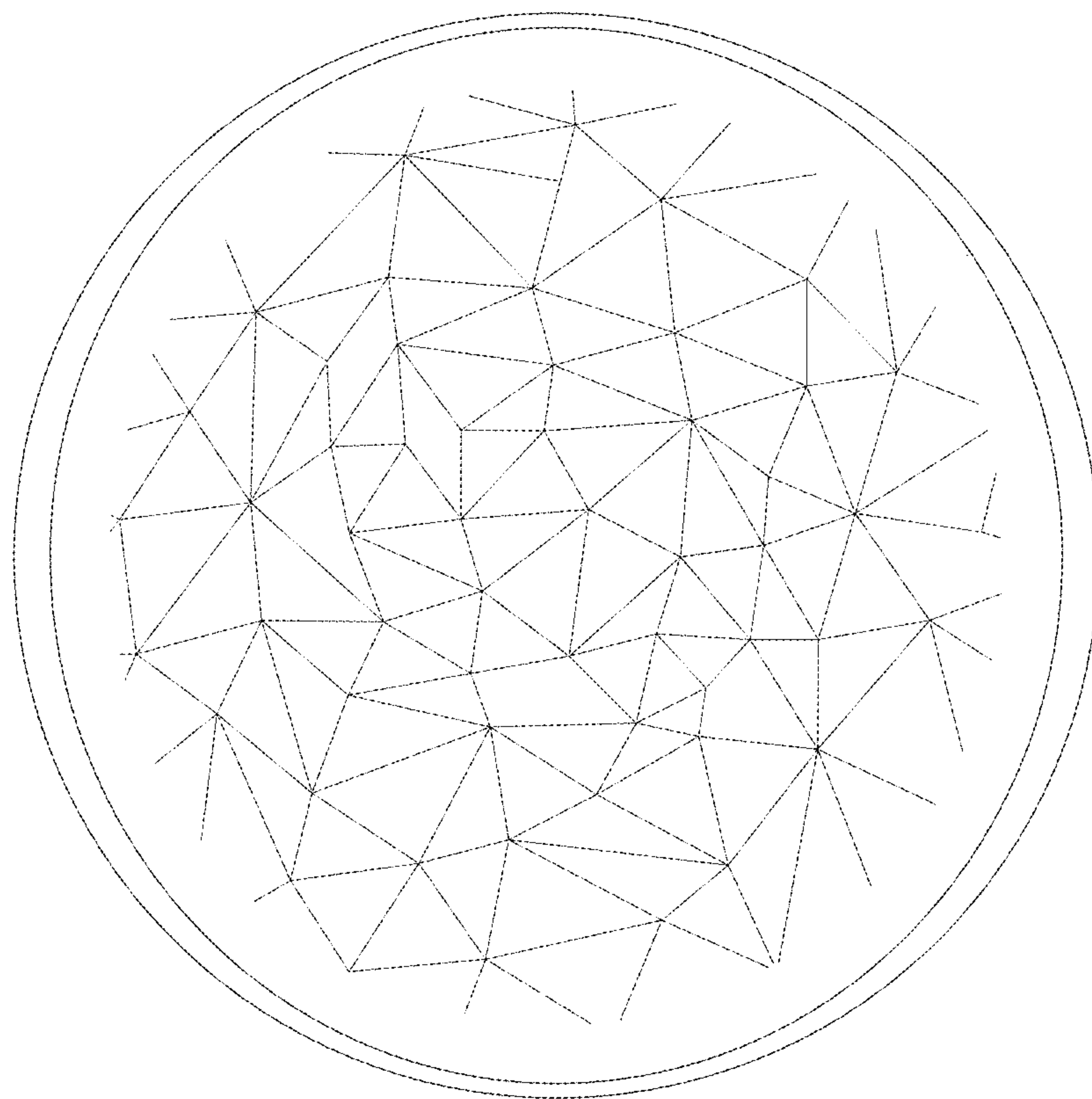


FIG. 7

