



US00D777981S

(12) **United States Design Patent**
Oh

(10) **Patent No.:** **US D777,981 S**

(45) **Date of Patent:** **** Jan. 31, 2017**

(54) **NAIL CURING MACHINE**

(71) Applicant: **Danny J Oh**, Rancho Palos Verdes, CA
(US)

(72) Inventor: **Danny J Oh**, Rancho Palos Verdes, CA
(US)

(**) Term: **15 Years**

(21) Appl. No.: **29/546,691**

(22) Filed: **Nov. 24, 2015**

(51) **LOC (10) Cl.** **28-03**

(52) **U.S. Cl.**
USPC **D28/58; D28/54.1**

(58) **Field of Classification Search**
USPC D28/56, 58, 57, 54.1
CPC A45D 44/00; A45D 29/00; A45D 29/20;
A45D 29/22; A45D 29/14; A45D
2200/205

See application file for complete search history.

(56) **References Cited**

U.S. PATENT DOCUMENTS

D277,323 S * 1/1985 Raicevic D28/58
D299,559 S * 1/1989 Wong D28/54.1
D686,369 S * 7/2013 Horvath D28/54.1
D704,889 S * 5/2014 Chiu D28/54.1
D745,741 S * 12/2015 Jih D28/54.1

2006/0260628 A1* 11/2006 Chan A45D 29/00
132/73
2014/0153245 A1* 6/2014 Horvath F21K 9/00
362/249.06
2015/0230582 A1* 8/2015 Alexander A45D 29/00
34/239

* cited by examiner

Primary Examiner — Jennifer Rivard

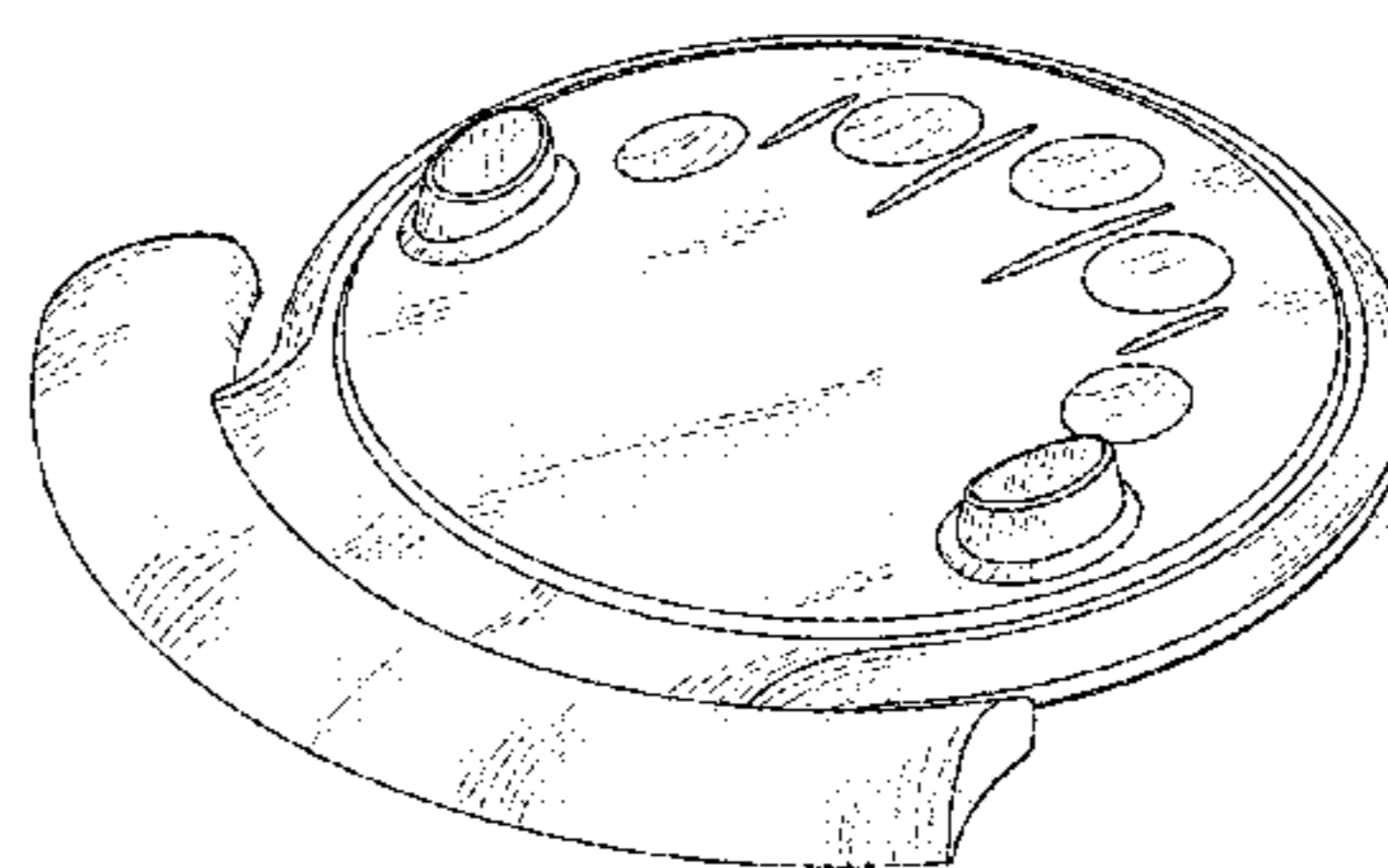
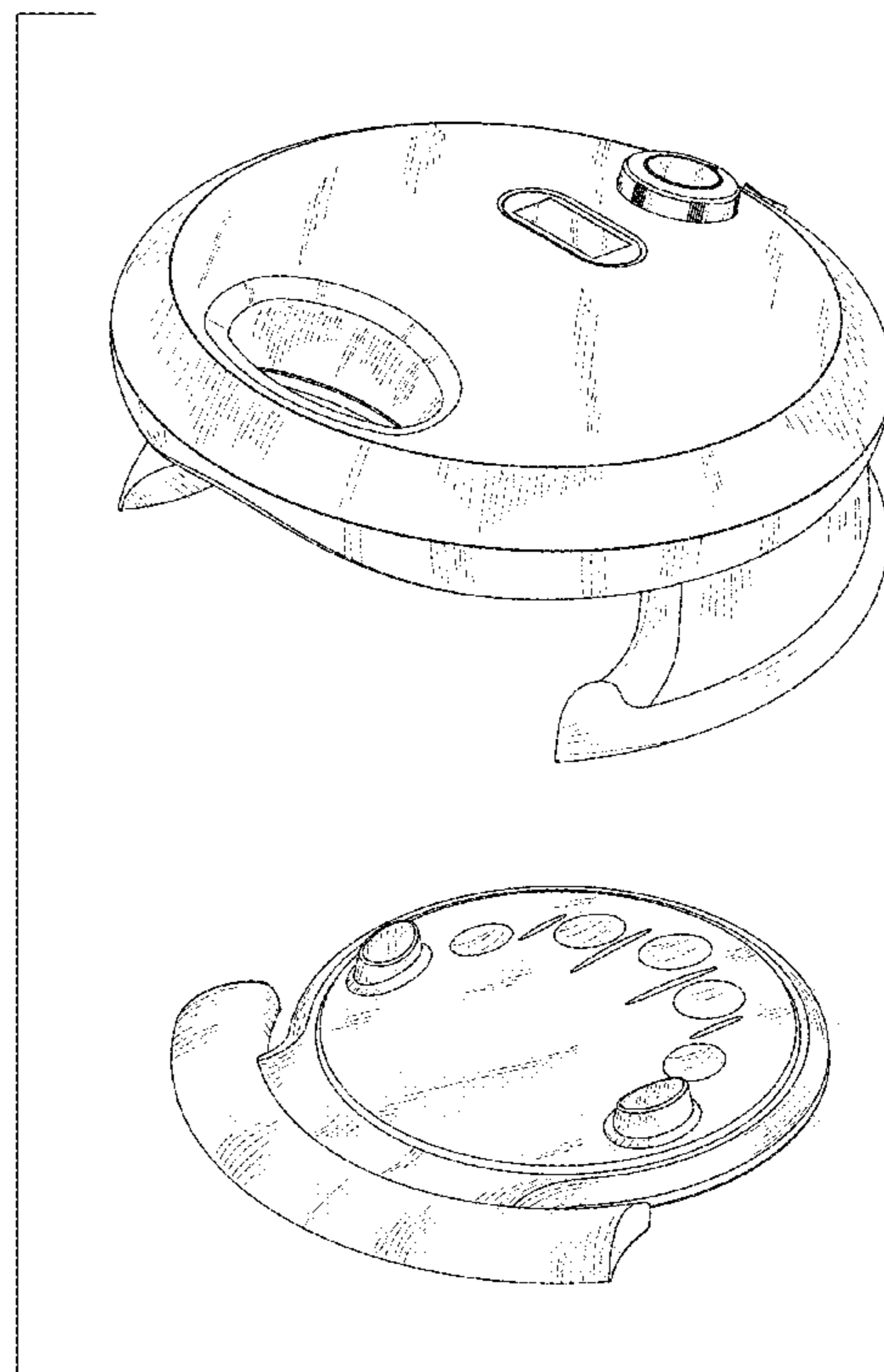
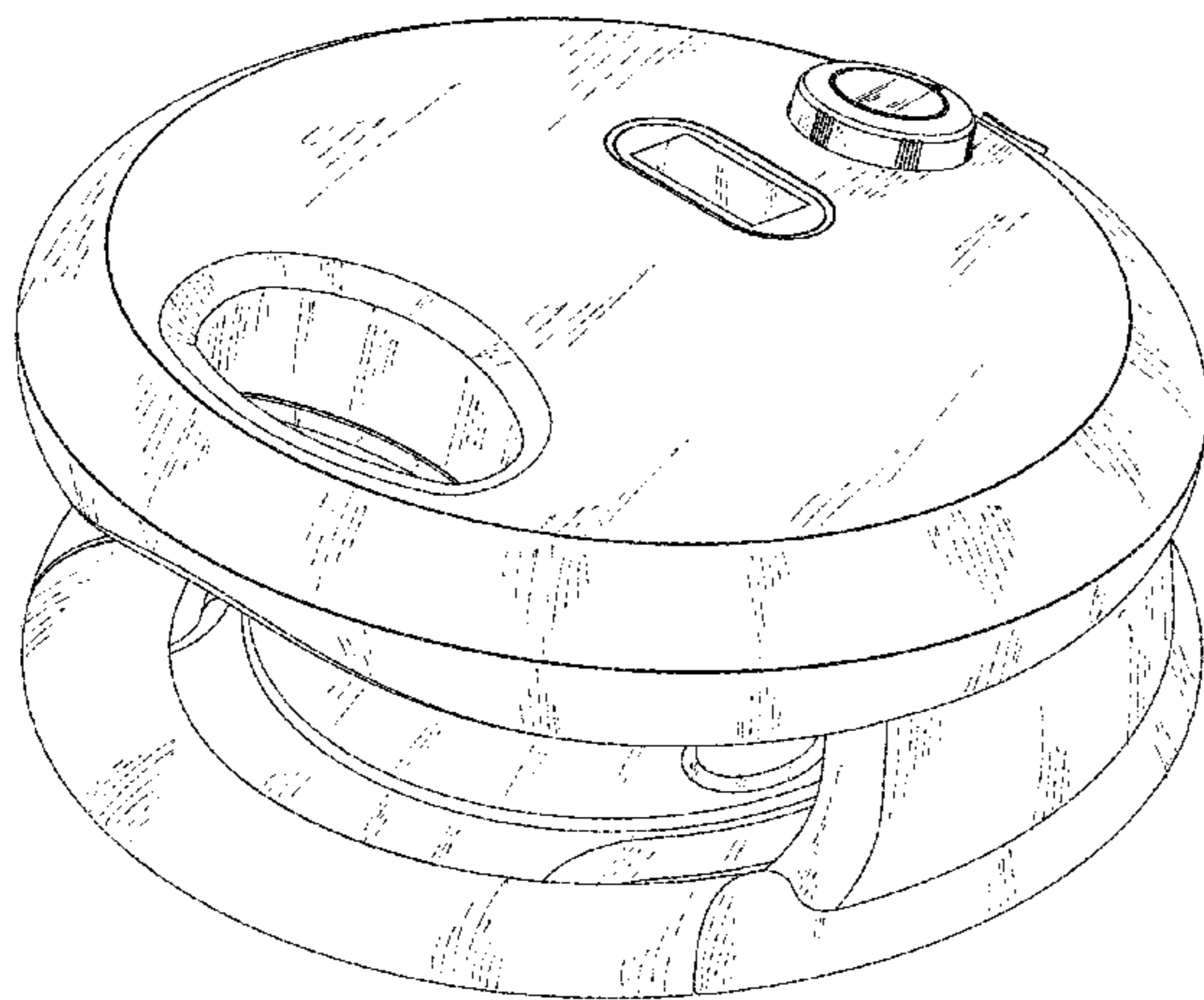
(57) **CLAIM**

The ornamental design for a nail curing machine, as shown and described.

DESCRIPTION

FIG. 1 is a perspective view of a nail curing machine showing my new design;
FIG. 2 is a front elevational view thereof;
FIG. 3 is a rear elevational view thereof;
FIG. 4 is a right-side elevational view thereof;
FIG. 5 is a left-side elevational view thereof;
FIG. 6 is a top plan view thereof;
FIG. 7 is a bottom plan view thereof;
FIG. 8 is an exploded perspective view of the nail curing machine;
FIG. 9 is an exploded bottom perspective view thereof;
FIG. 10 is an exploded front elevational view thereof;
FIG. 11 is an exploded rear elevational view thereof;
FIG. 12 is an exploded right-side elevational view thereof;
FIG. 13 is an exploded left-side elevational view thereof;
FIG. 14 is an exploded top plan view thereof; and,
FIG. 15 is an exploded bottom plan view thereof.
The broken line showing of a universal serial bus (USB) port is included for the purpose of showing environmental structure and forms no part of the claimed design.

1 Claim, 15 Drawing Sheets



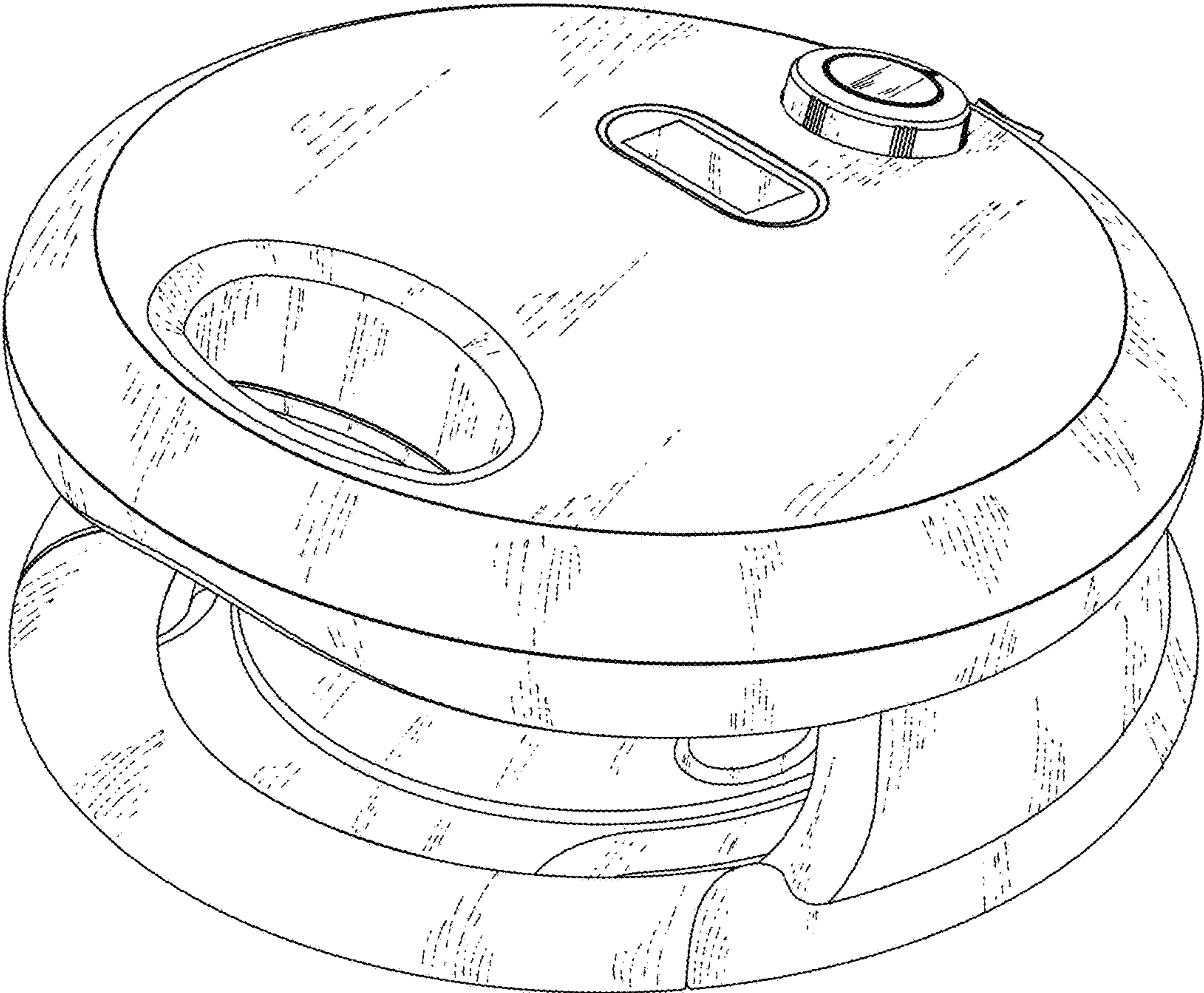


FIG. 1

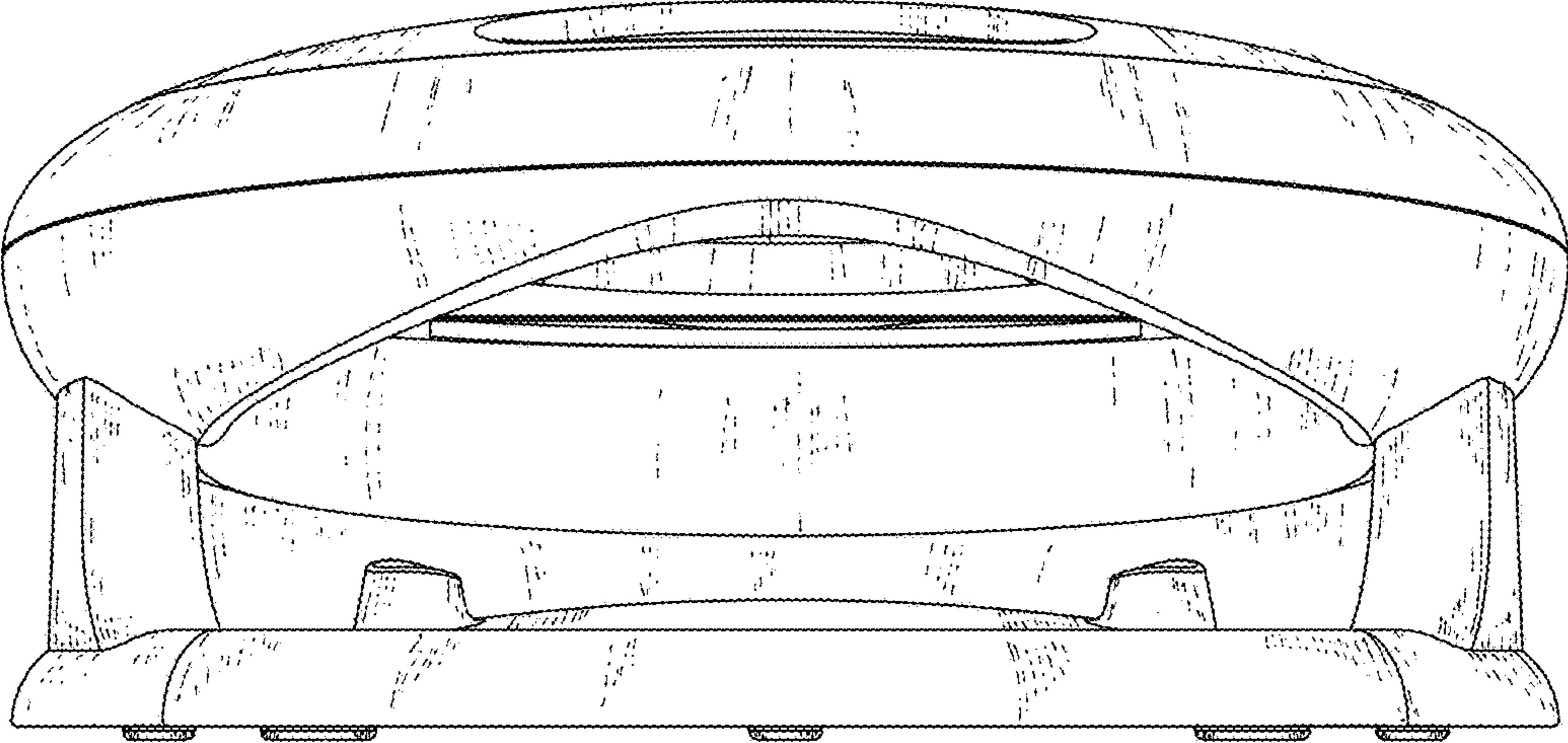


FIG. 2

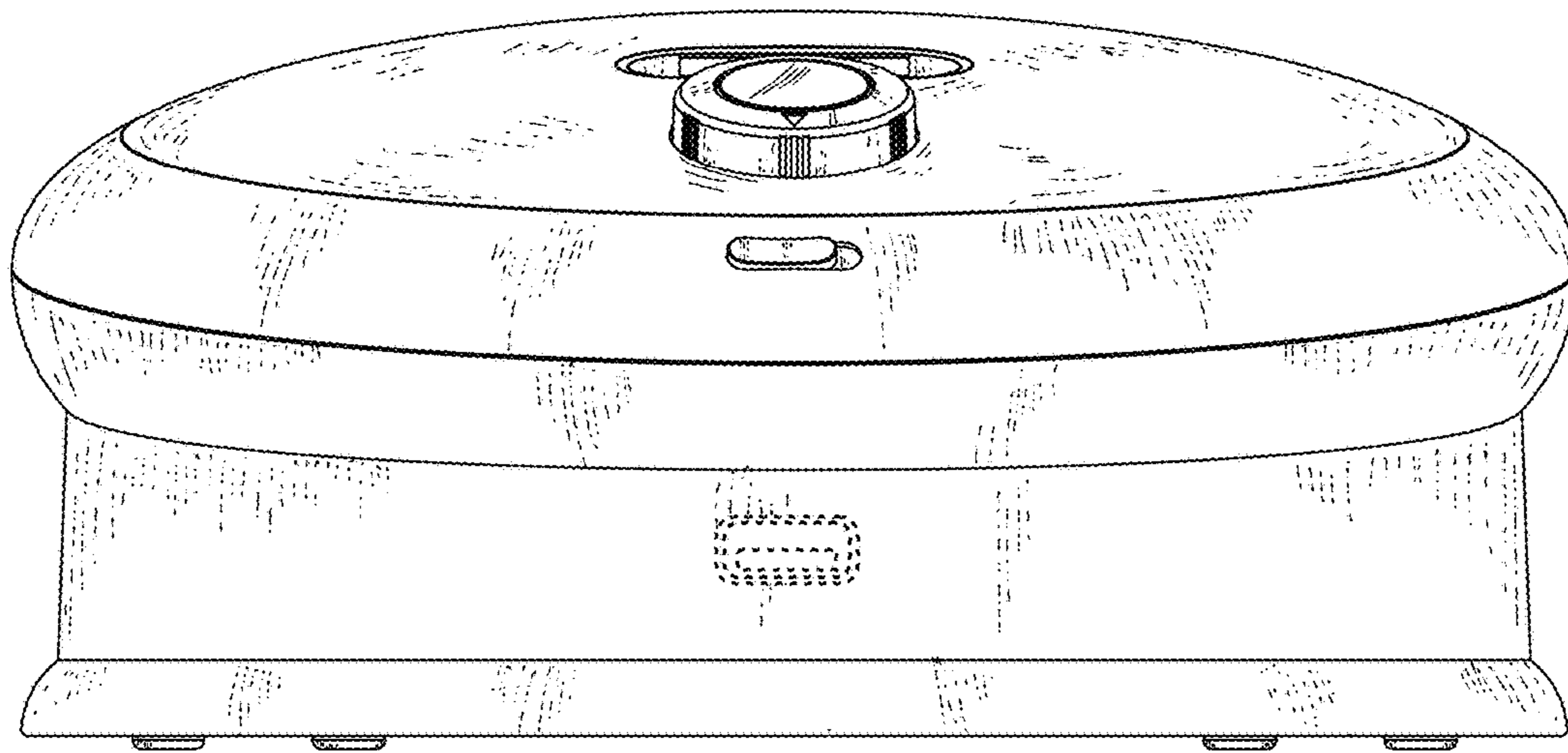


FIG. 3

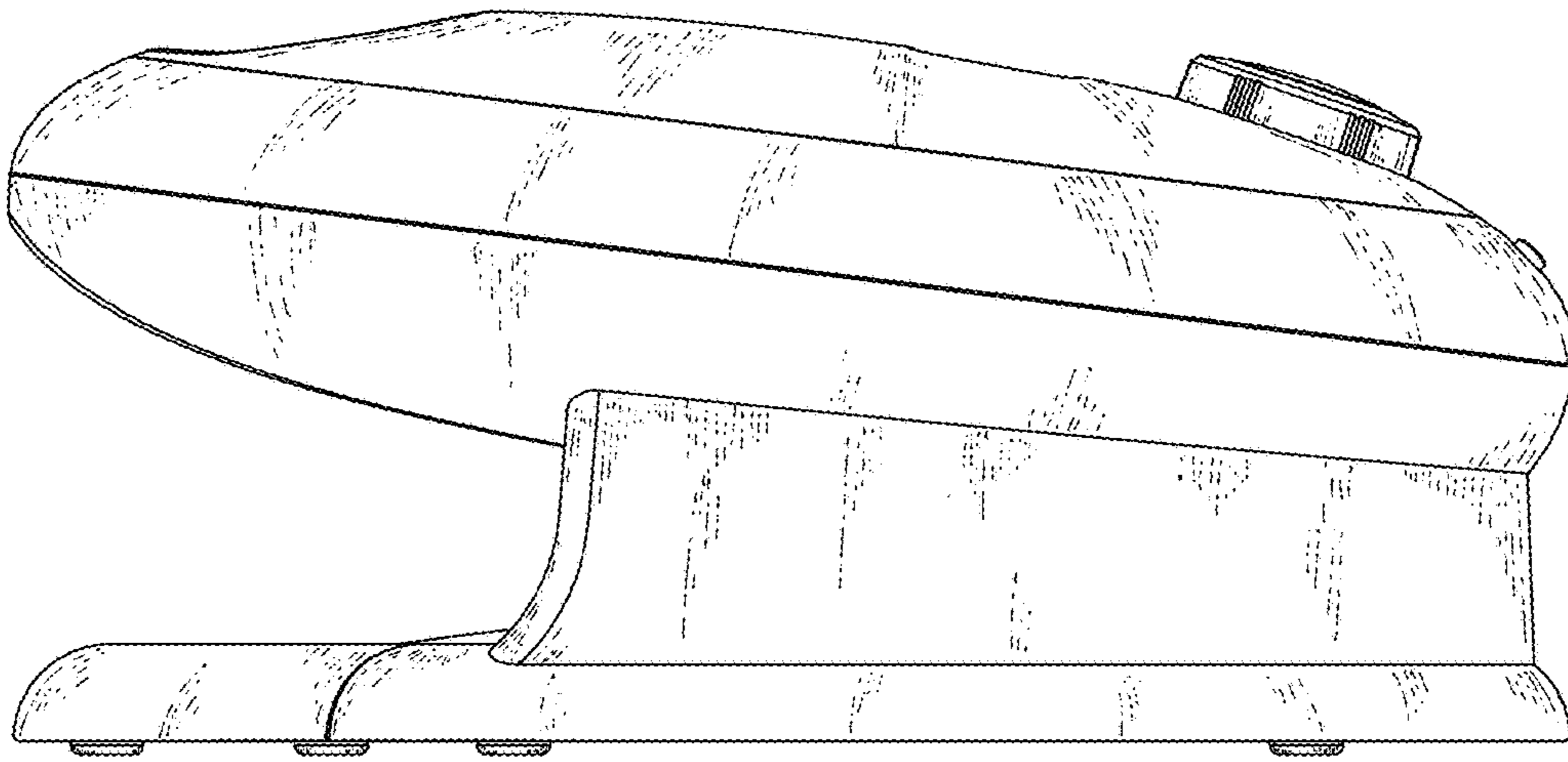


FIG. 4

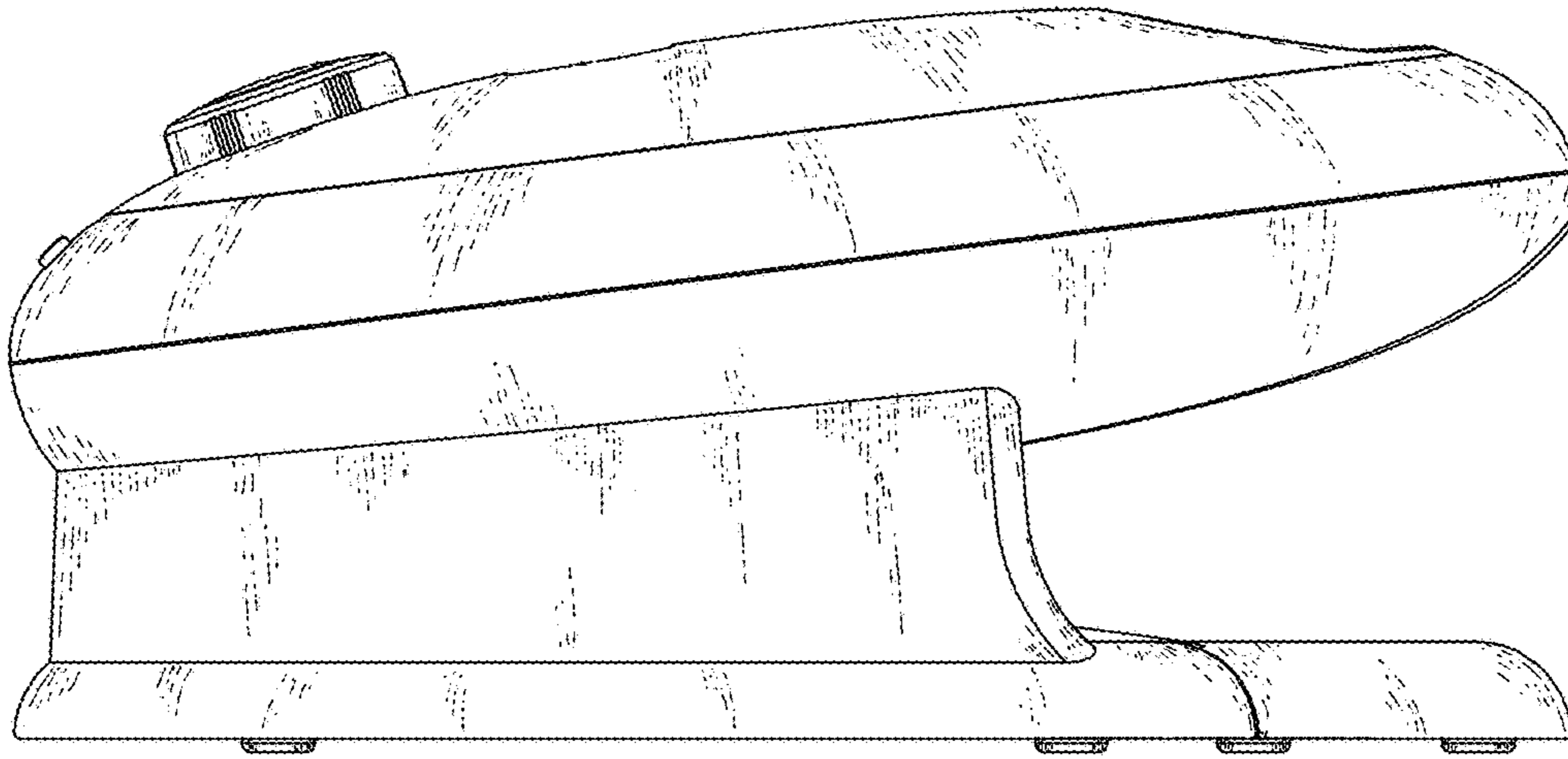


FIG. 5

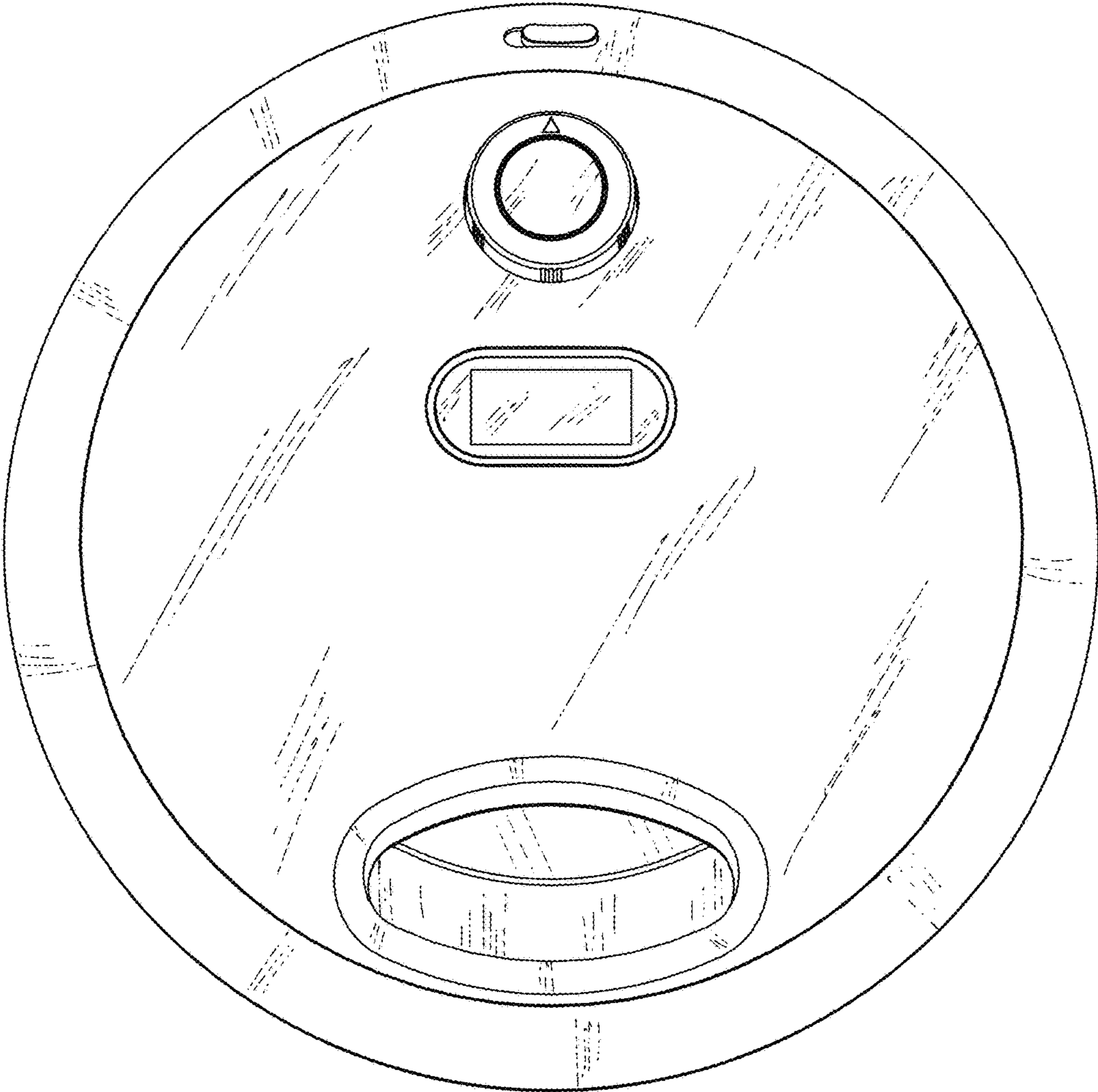


FIG. 6

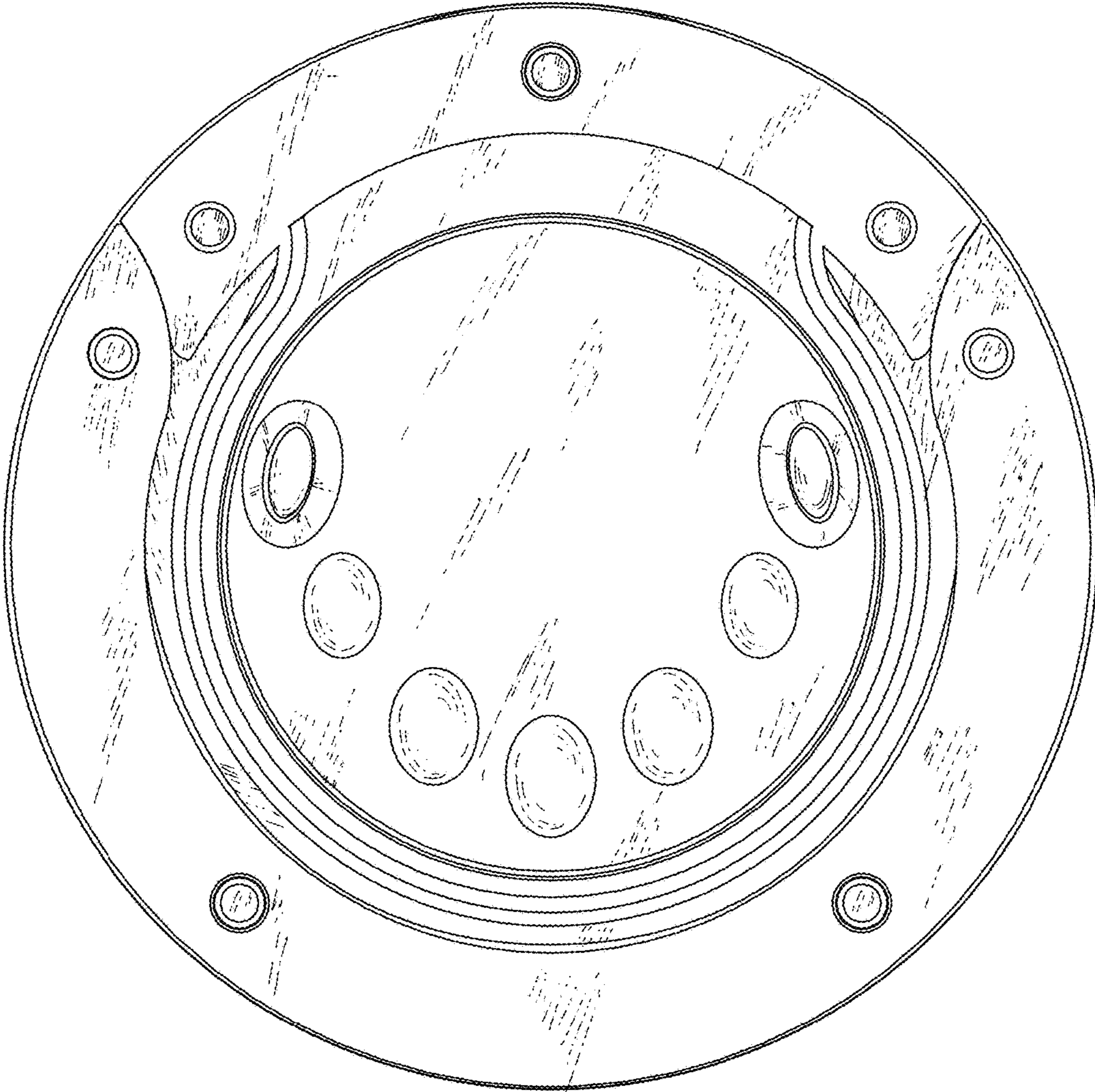


FIG. 7

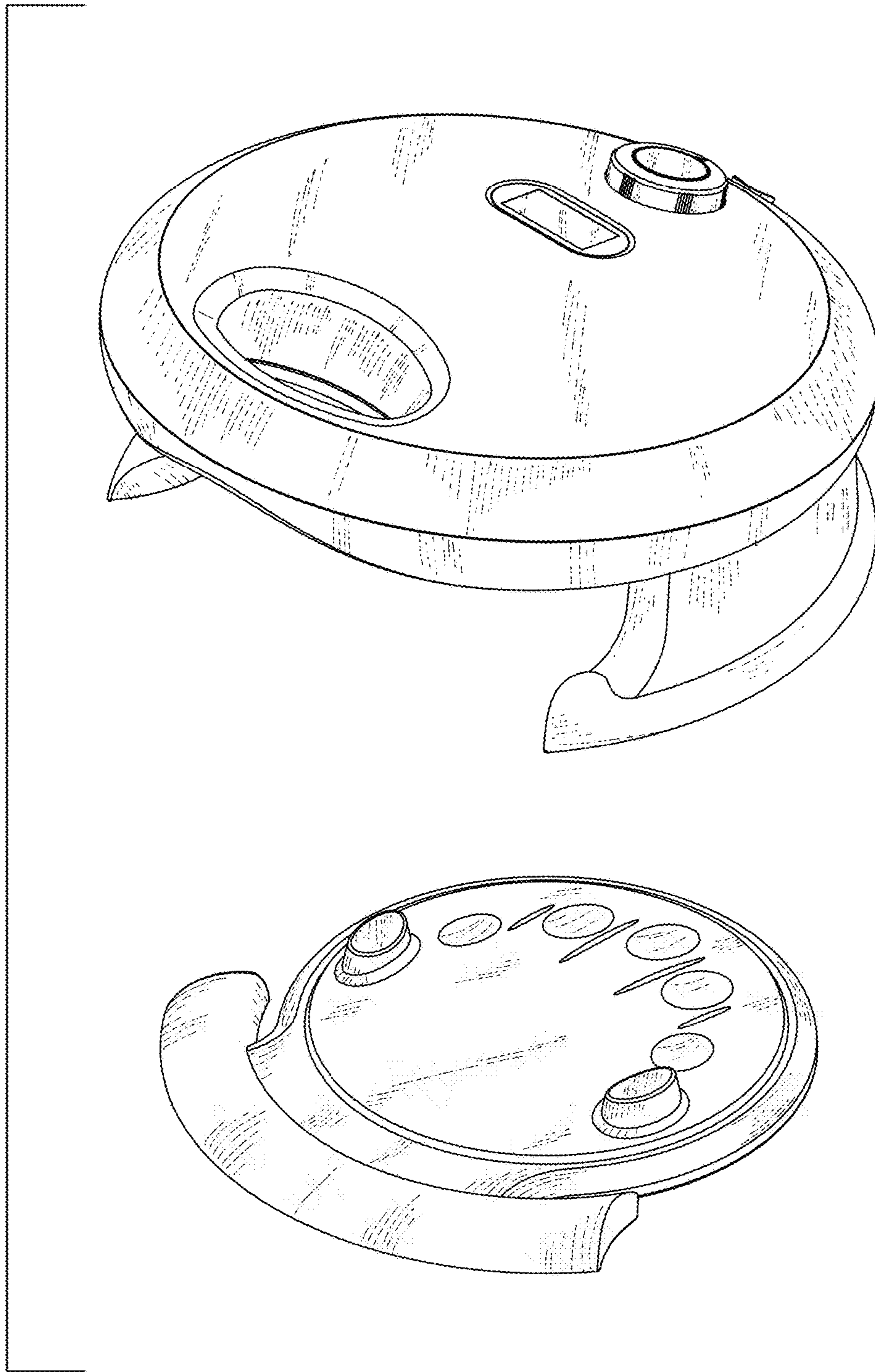


FIG. 8

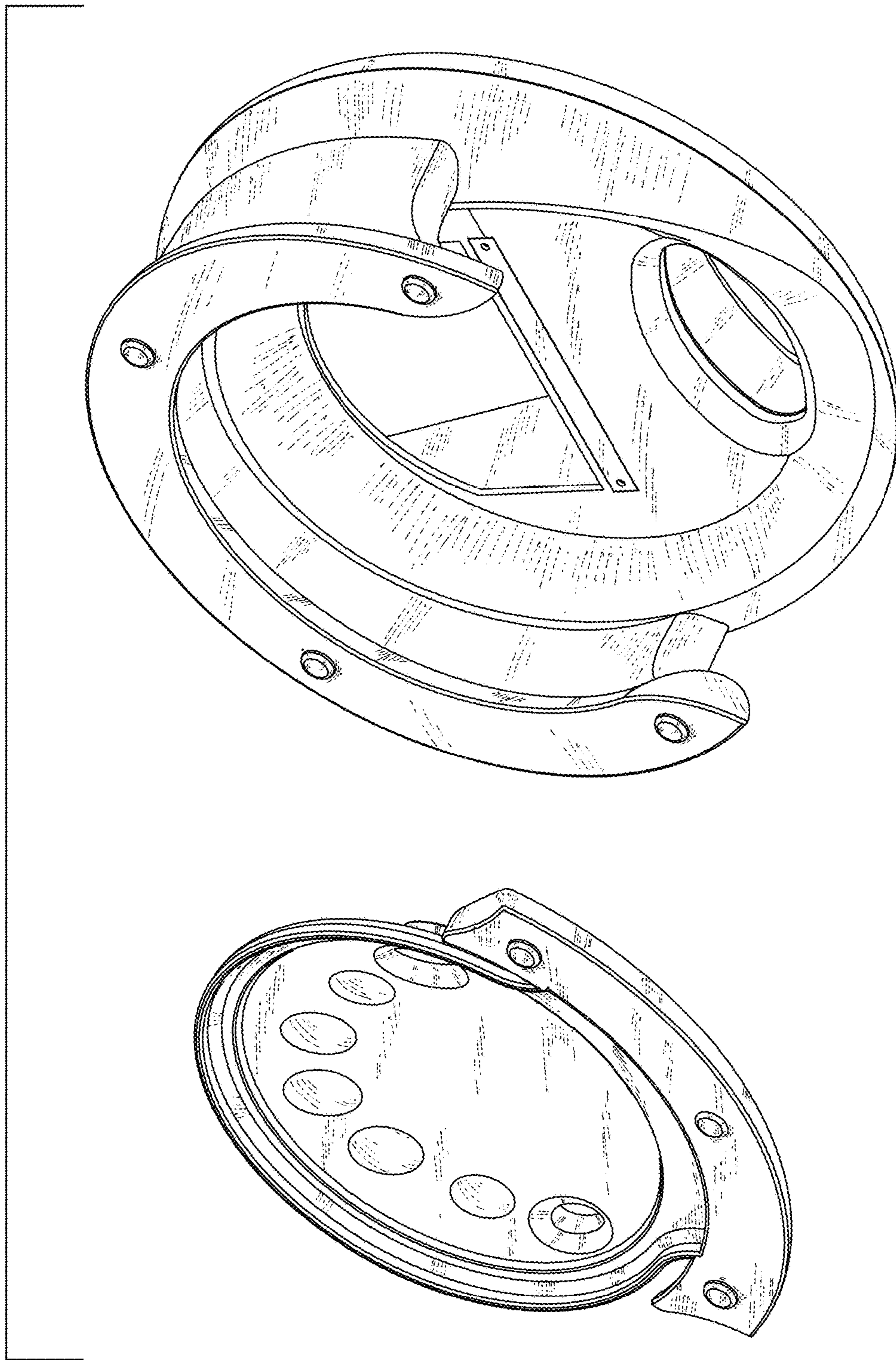


FIG. 9

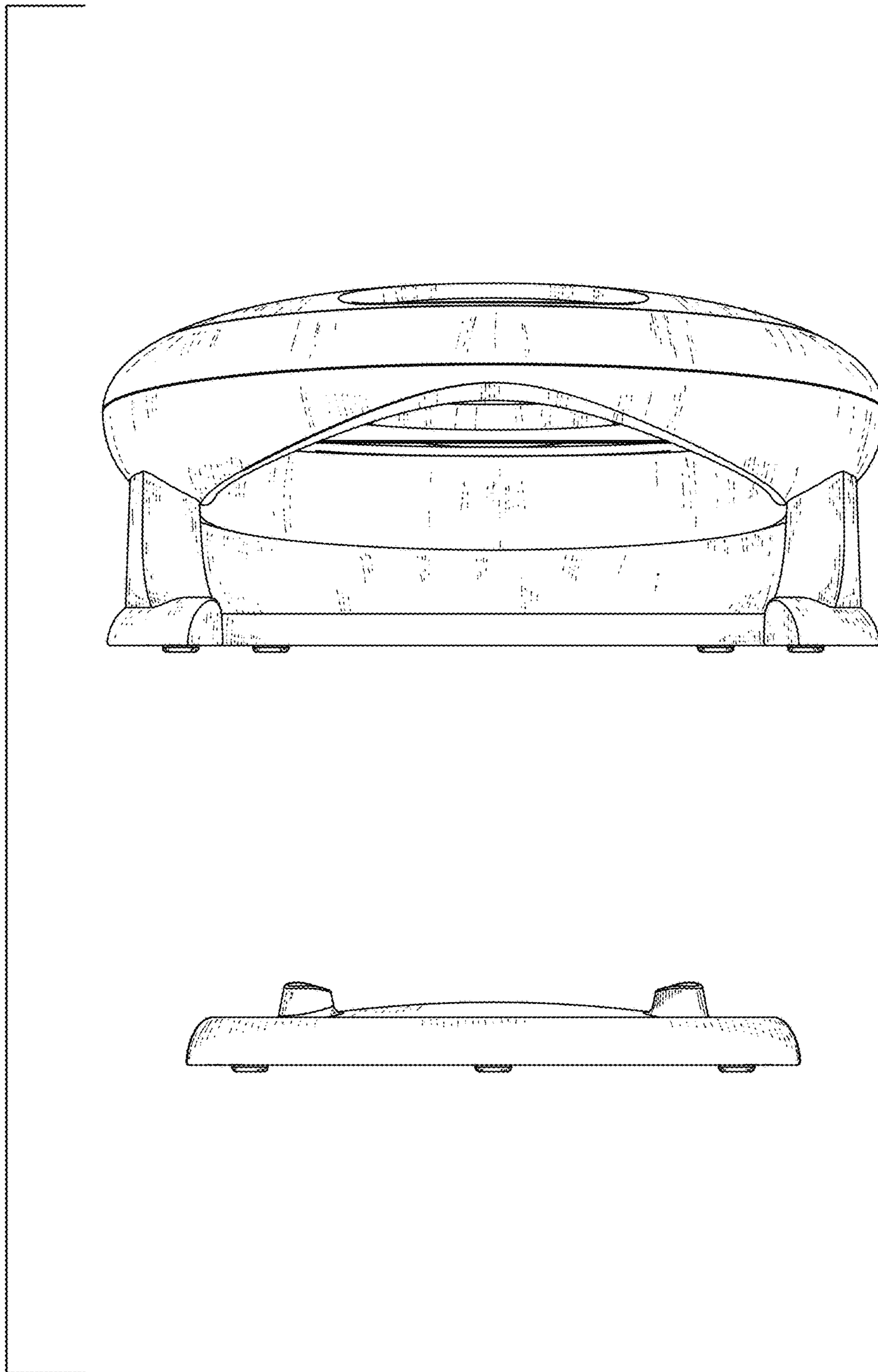


FIG. 10

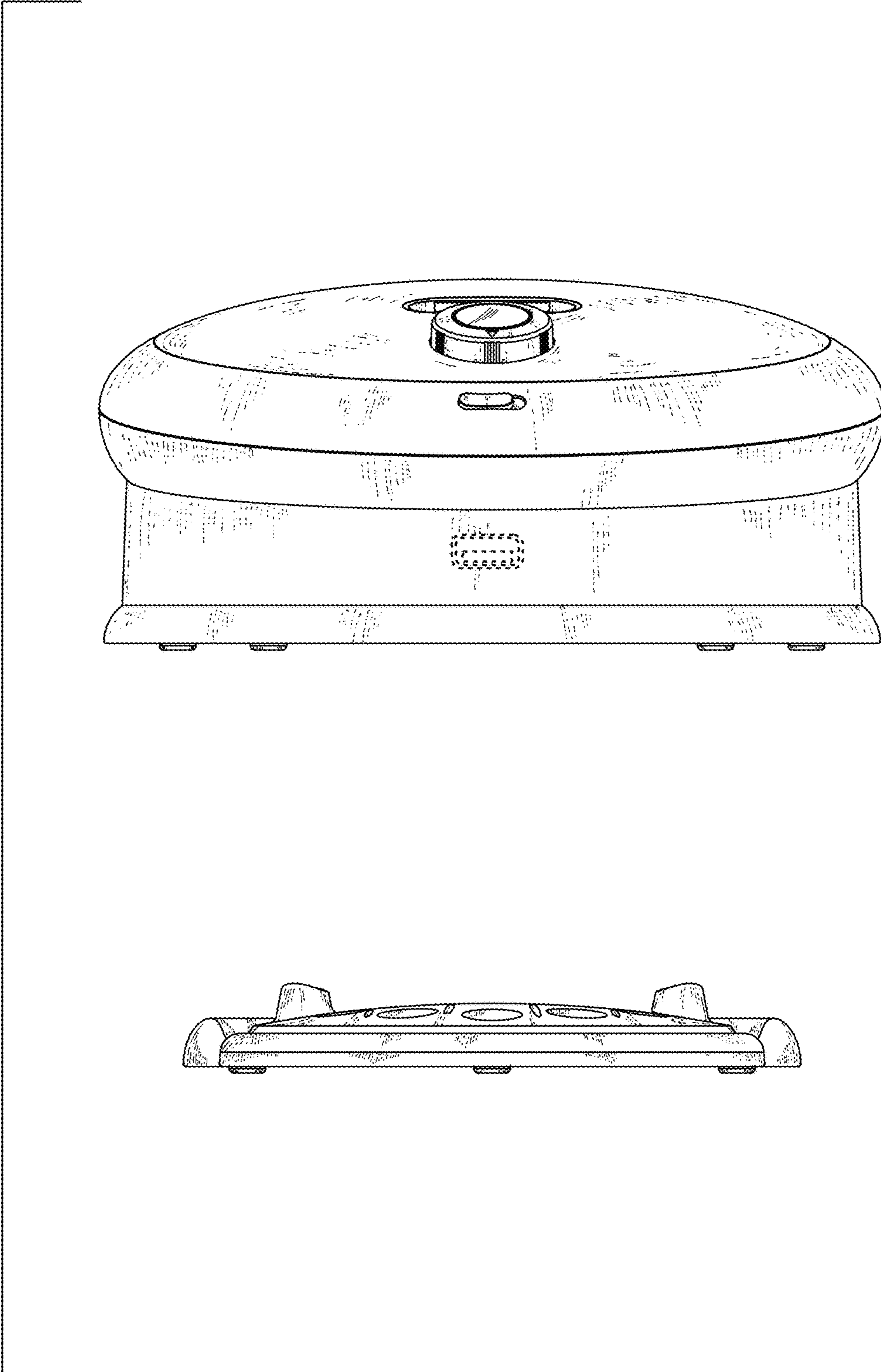


FIG. 11

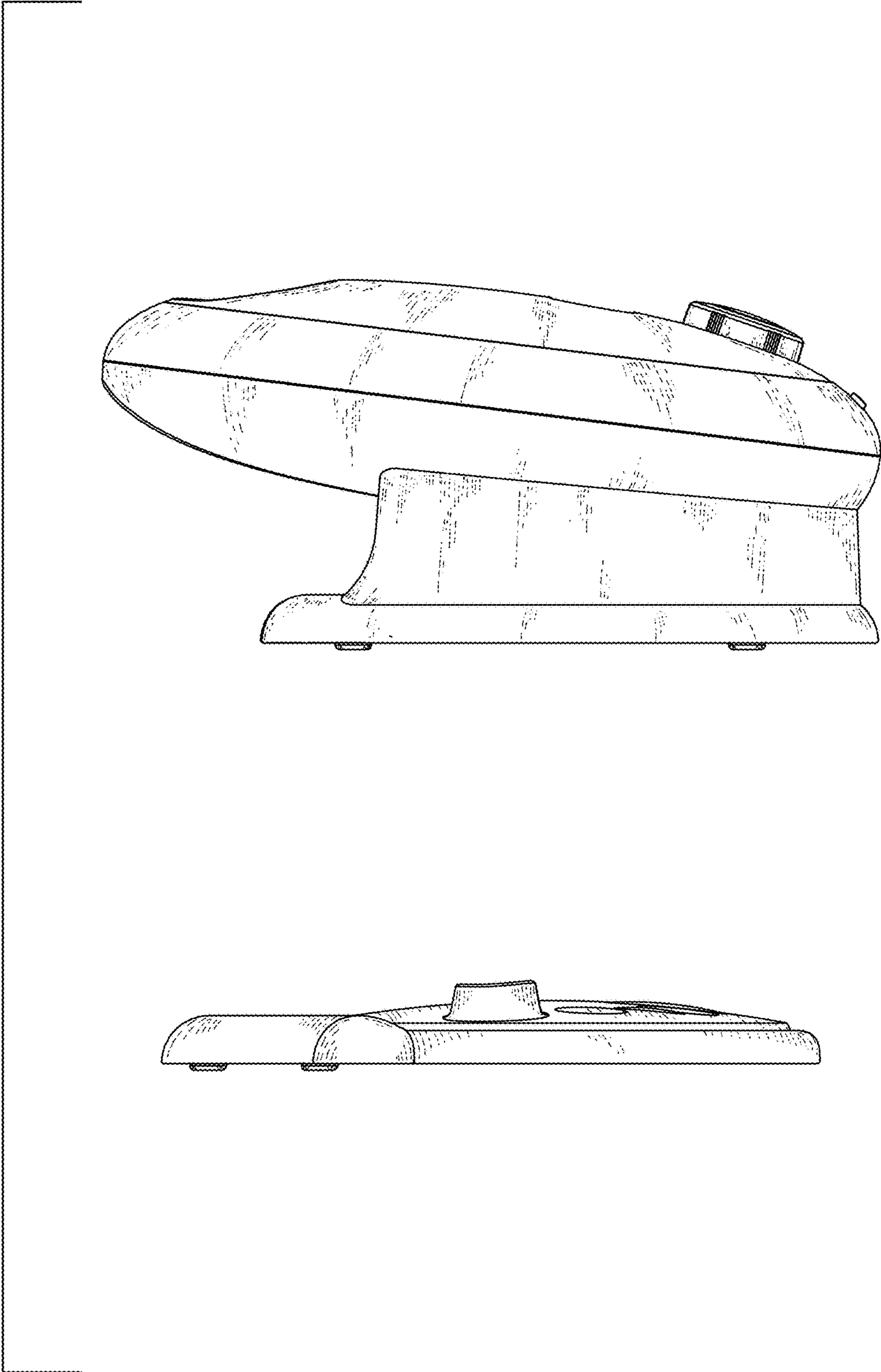


FIG. 12

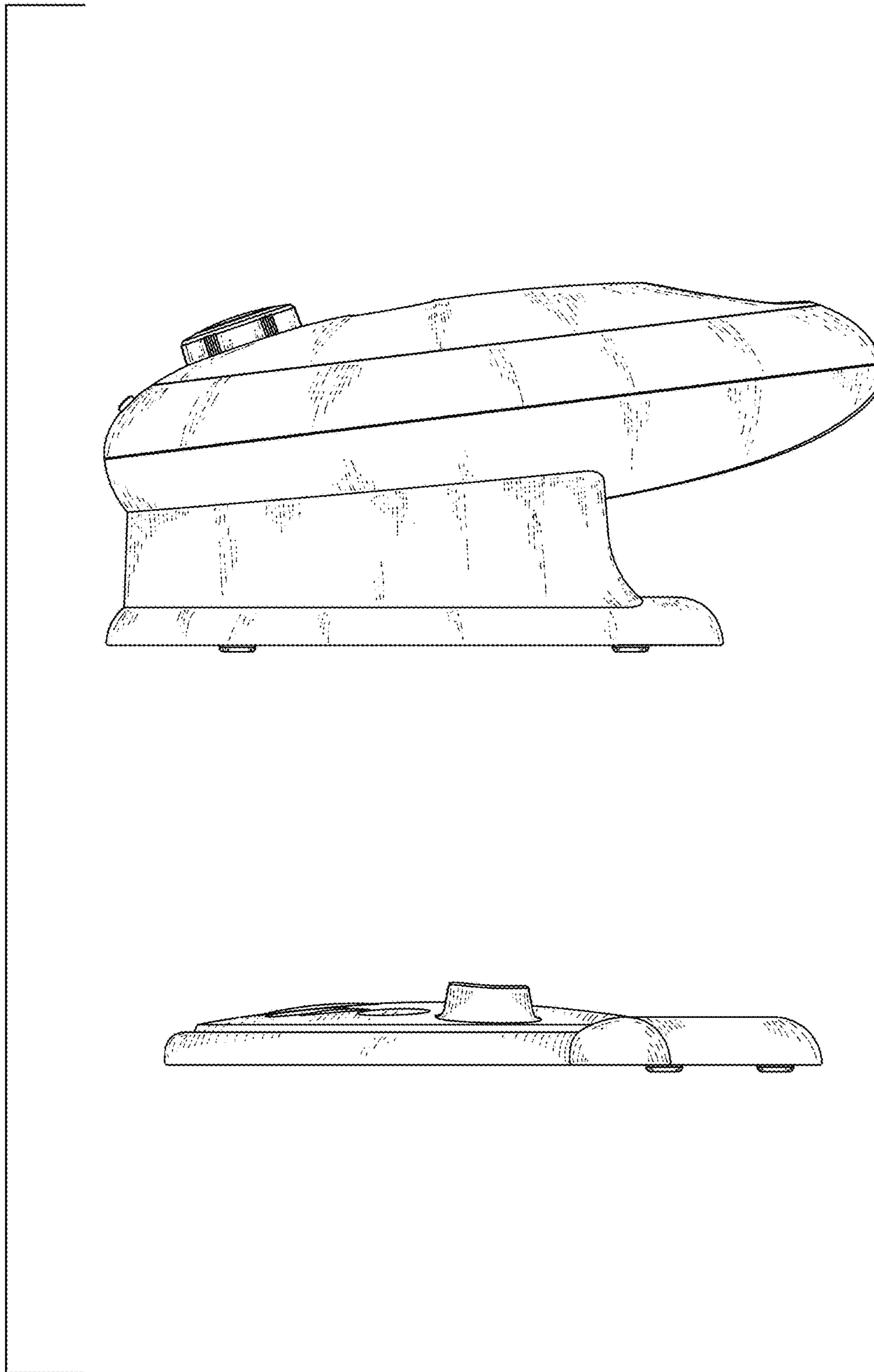


FIG. 13

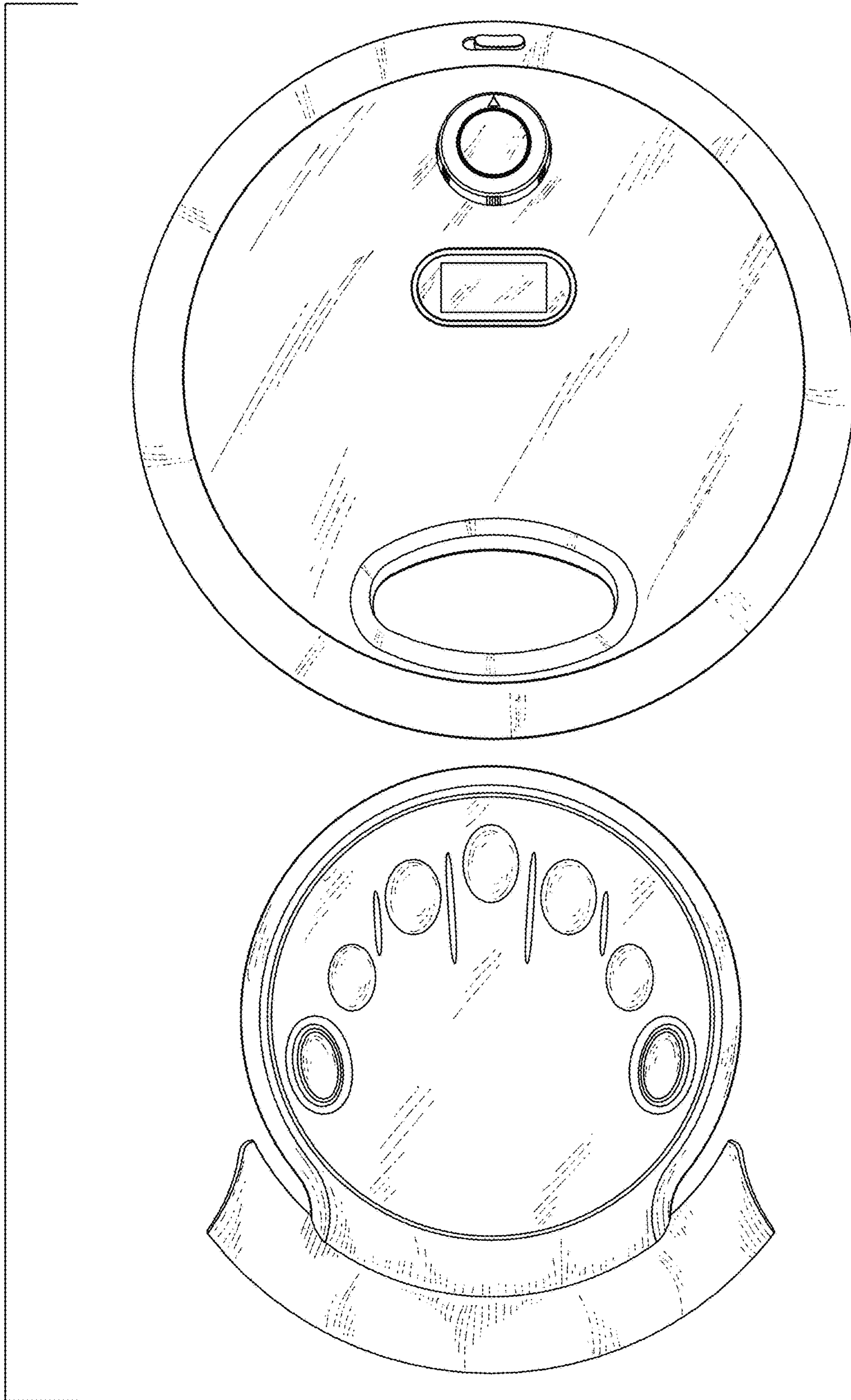


FIG. 14

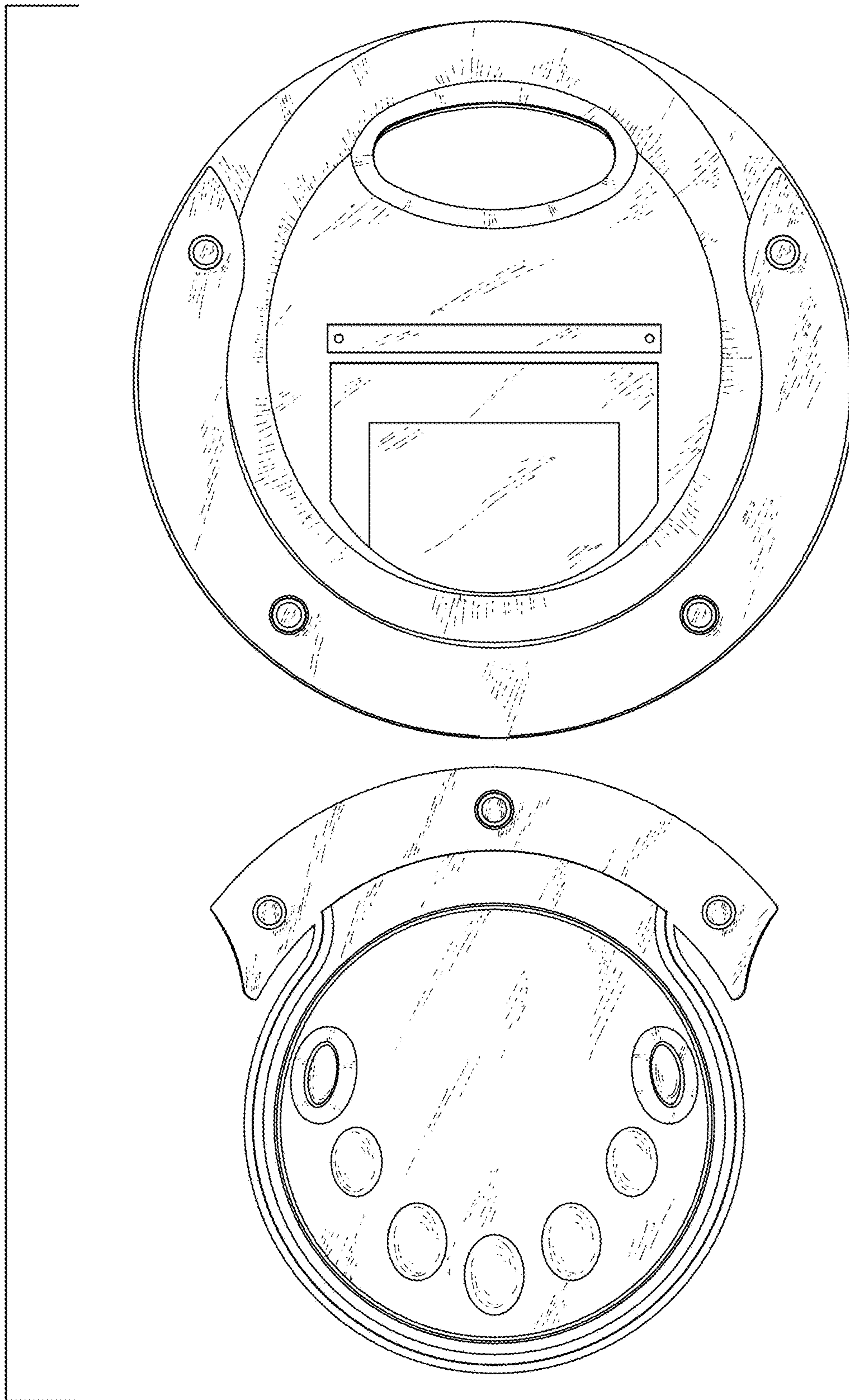


FIG. 15