



US00D777978S

(12) **United States Design Patent**
Cho

(10) **Patent No.:** **US D777,978 S**
(45) **Date of Patent:** **** Jan. 31, 2017**

(54) **HAIR IRON**
(71) Applicant: **UNIL ELECTRONICS CORP.**, Seoul (KR)
(72) Inventor: **Ok-Nam Cho**, Seoul (KR)
(73) Assignee: **UNIL ELECTRONICS CORPORATION**, Seoul (KR)
(**) Term: **15 Years**

4,739,776 A * 4/1988 Prijic A45D 2/38
132/212
5,564,445 A * 10/1996 Query A45D 2/00
132/212
5,899,213 A * 5/1999 Kimata A45D 1/04
132/225
D441,138 S * 4/2001 Micinilio D28/37
6,408,858 B1 * 6/2002 Emmons A45D 4/08
132/245
8,783,269 B1 * 7/2014 Deer A45D 2/40
132/212
2011/0061672 A1 * 3/2011 Schmider A45D 1/12
132/226

(21) Appl. No.: **29/528,523**

(Continued)

(22) Filed: **May 29, 2015**

FOREIGN PATENT DOCUMENTS

(30) **Foreign Application Priority Data**

DE 102012200963 A1 * 2/2013 A45D 1/04
JP 4279464 B2 * 6/2009 A45D 1/12

Feb. 27, 2015 (KR) 30-2015-0010196

Primary Examiner — Jennifer Rivard

(51) **LOC (10) Cl.** **28-03**

(74) *Attorney, Agent, or Firm* — Weiss & Moy, P.C.;

(52) **U.S. Cl.**
USPC **D28/35**

Jeffrey D. Moy

(58) **Field of Classification Search**
USPC D28/35, 37-38
CPC A45D 1/00-1/28; A45D 2/00-2/001;
A45D 2002/006; A45D 2002/007; A45D
2/12-2/125; A45D 2/04; A45D
2/06; A45D 2/38; A45D 2/40; A45D
4/00-4/18; A45D 6/00-6/20; A45D
20/48-20/525

(57) **CLAIM**

The ornamental design for a hair iron, as shown and described.

See application file for complete search history.

DESCRIPTION

(56) **References Cited**

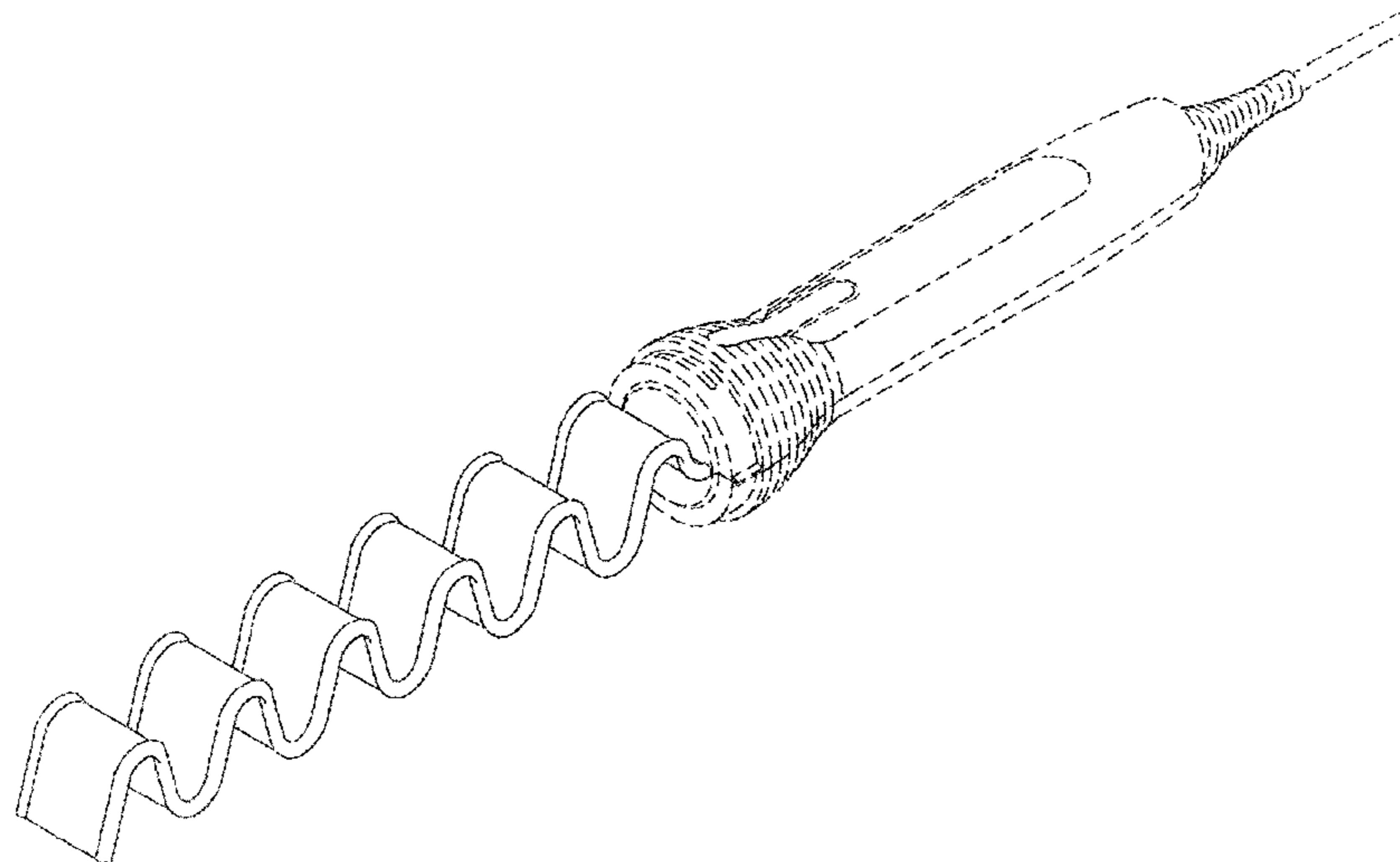
FIG. 1 is a perspective view of a hair iron;
FIG. 2 is a front view of the hair iron;
FIG. 3 is a rear view of the hair iron;
FIG. 4 is a left-side view of the hair iron;
FIG. 5 is a right-side view of the hair iron;
FIG. 6 is a plan view of the hair iron;
FIG. 7 is a bottom view of the hair iron; and,
FIG. 8 is a magnified cross-sectional taken along lines 8-8
in FIG. 2.

U.S. PATENT DOCUMENTS

1,709,981 A * 4/1929 Headington A45D 1/04
132/225
3,680,565 A * 8/1972 Giles A45D 2/38
132/224
D253,973 S * 1/1980 Rosse D28/35
4,739,151 A * 4/1988 Smal A45D 1/04
132/118

The broken lines illustrate a portion of the hair iron and form no part of the claimed design.

1 Claim, 7 Drawing Sheets



(56)

References Cited

U.S. PATENT DOCUMENTS

2014/0034079 A1 * 2/2014 McCauley A45D 1/04
132/229

* cited by examiner

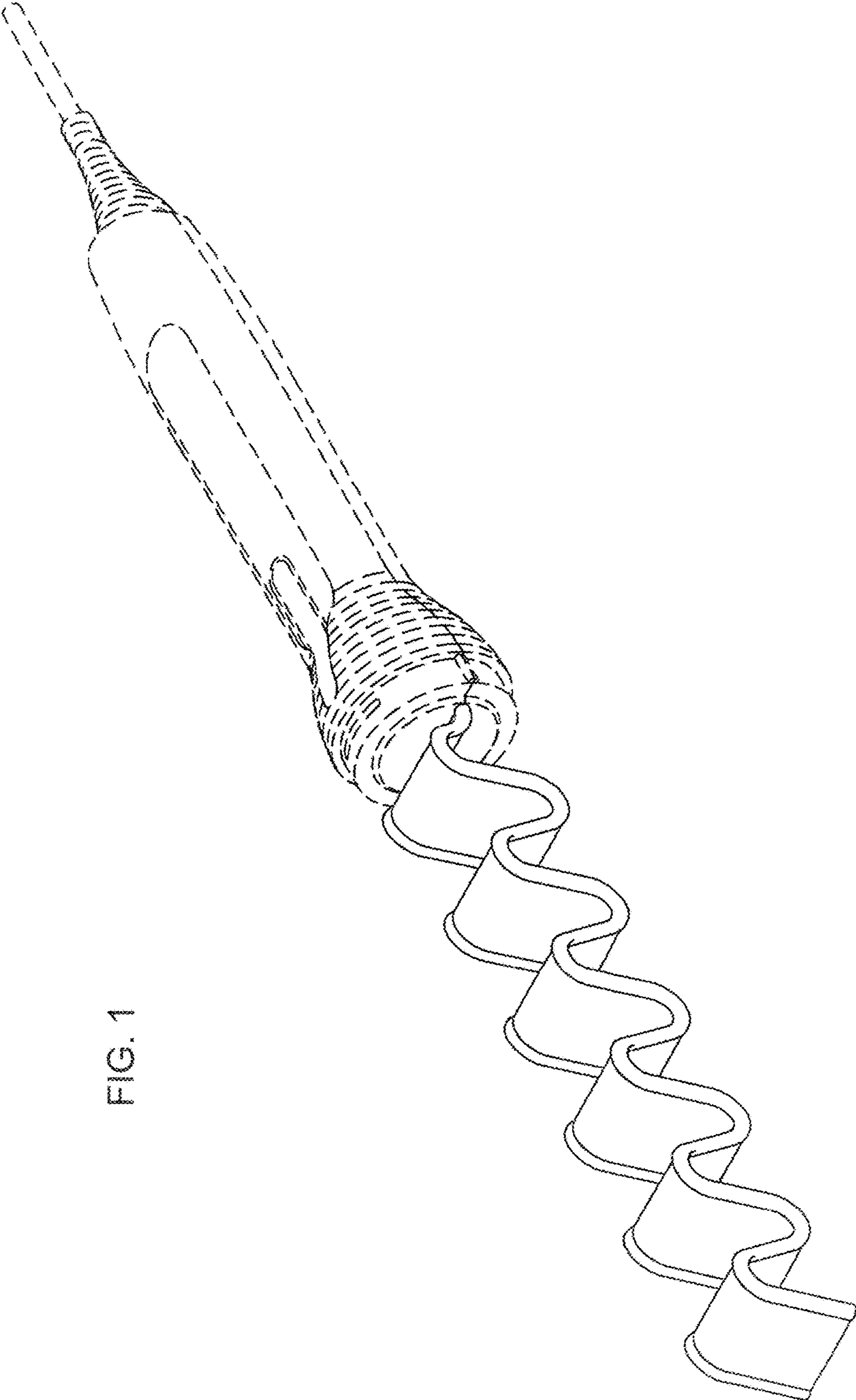


FIG. 1

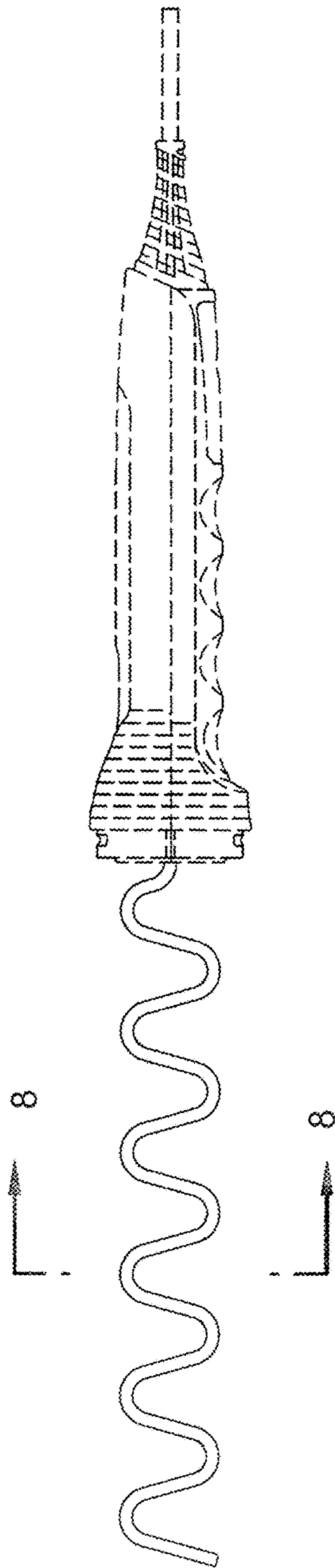


FIG. 2

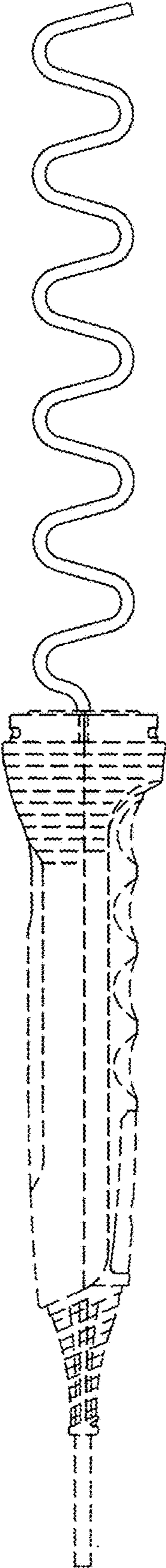


FIG. 3

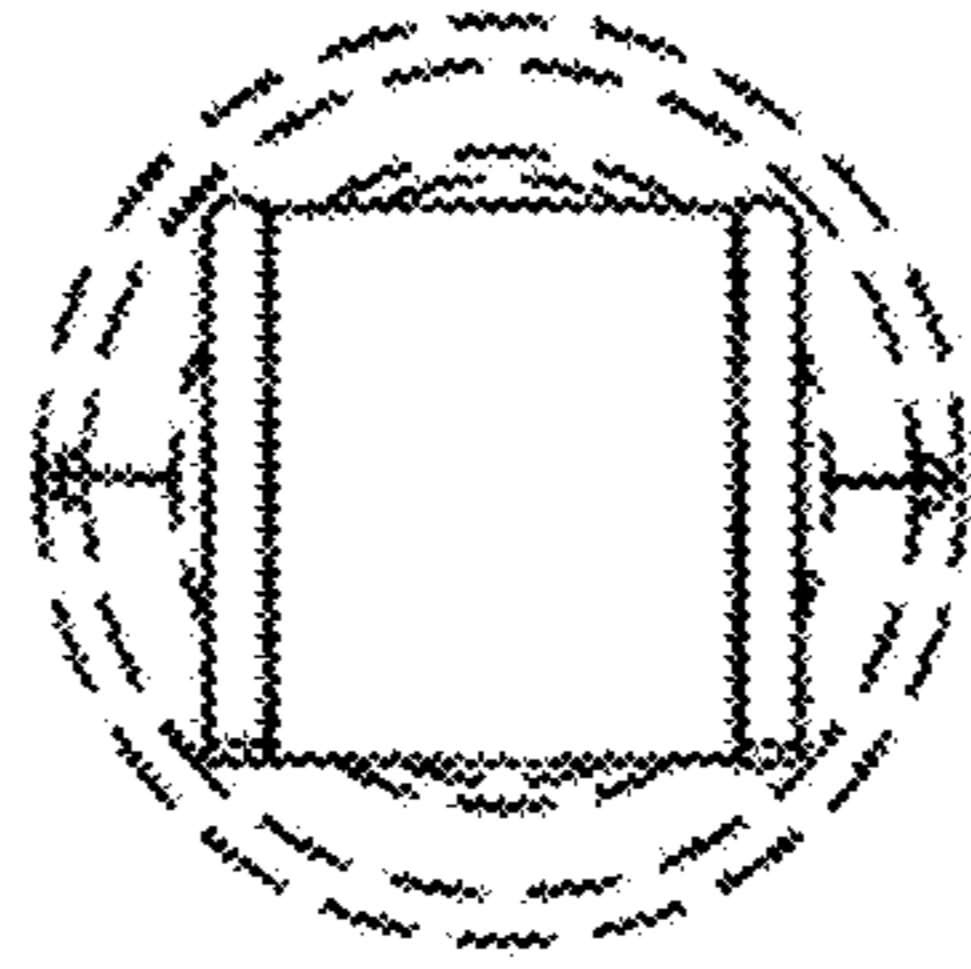


FIG. 4

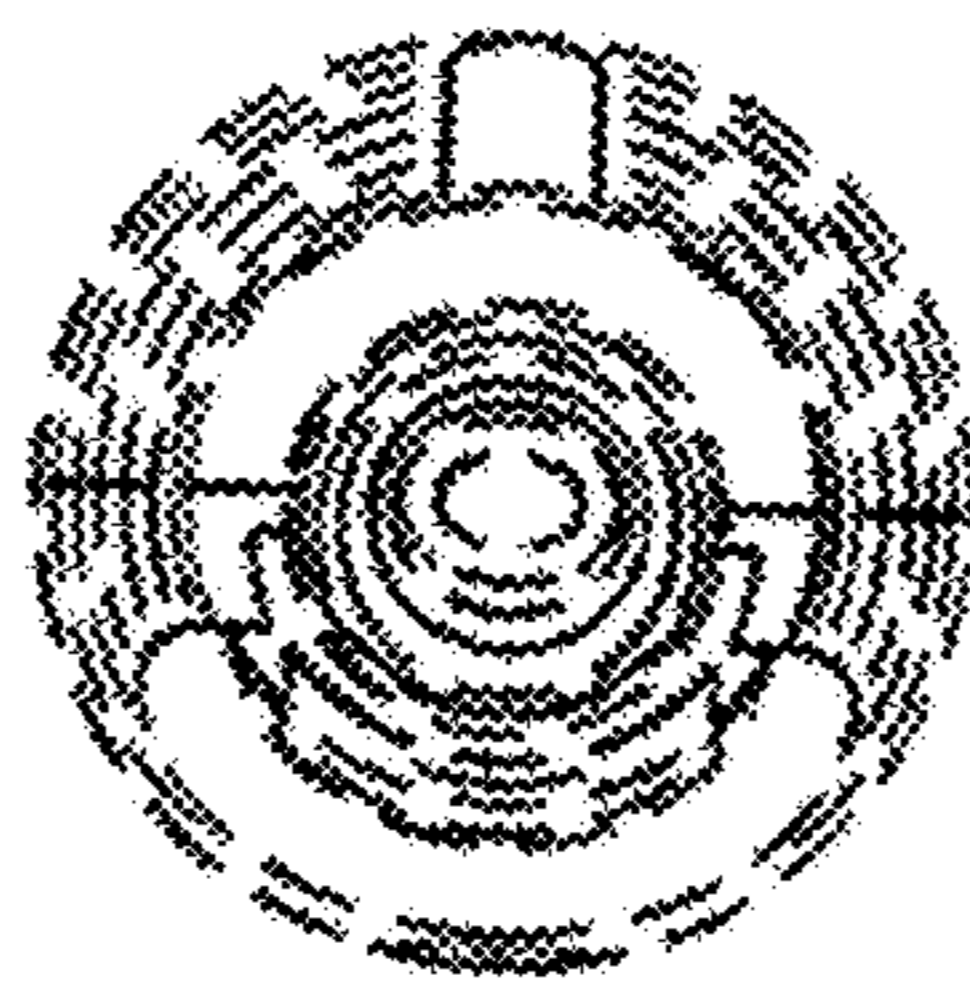


FIG. 5

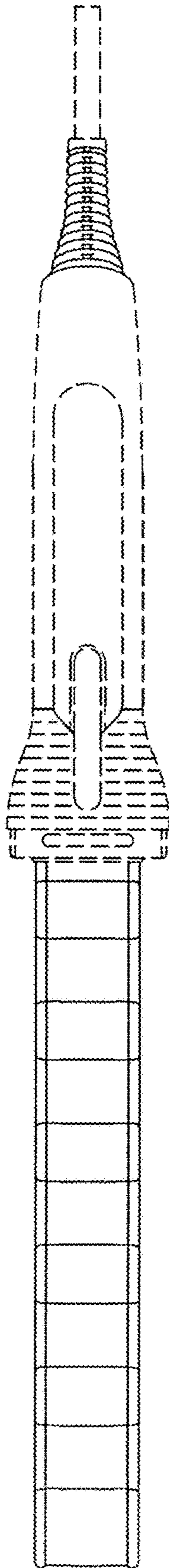


FIG. 6

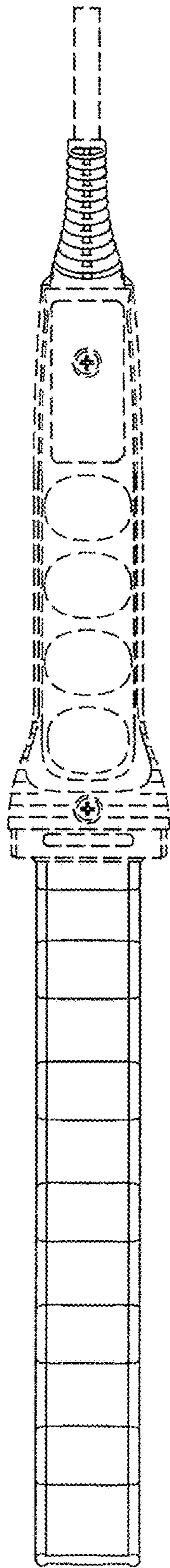


FIG. 7

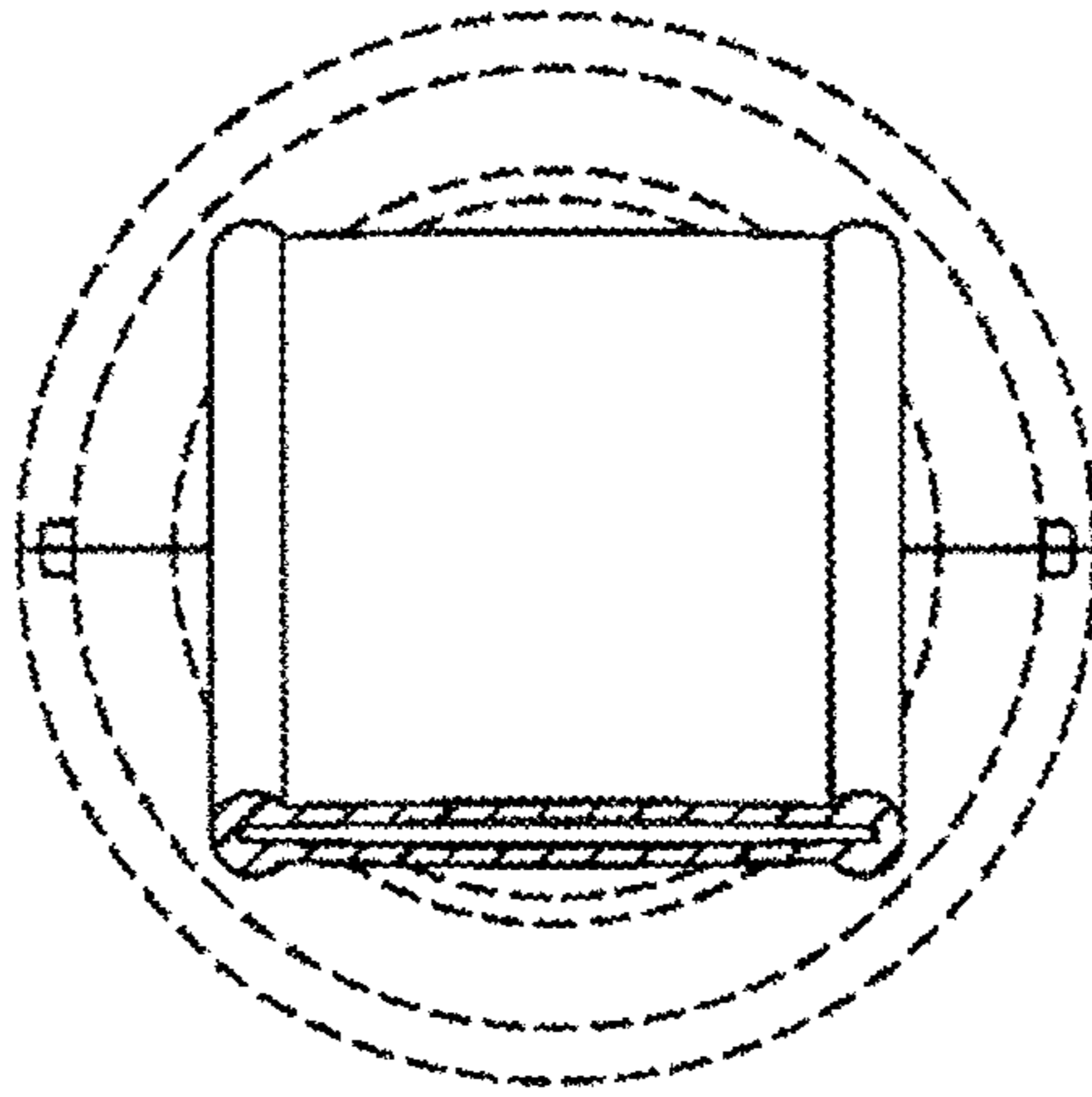


FIG. 8