



US00D777977S

(12) **United States Design Patent**  
**Lowe**

(10) **Patent No.:** **US D777,977 S**  
(45) **Date of Patent:** **\*\* Jan. 31, 2017**

- (54) **LOTION APPLICATOR AND MASSAGER SET**
- (71) Applicant: **Patsy Lowe**, Lakewood, WA (US)
- (72) Inventor: **Patsy Lowe**, Lakewood, WA (US)
- (\*\*) Term: **15 Years**
- (21) Appl. No.: **29/527,384**
- (22) Filed: **May 19, 2015**
- (51) **LOC (10) Cl.** ..... **28-03**
- (52) **U.S. Cl.**  
USPC ..... **D28/7**
- (58) **Field of Classification Search**  
USPC ..... D32/40, 52; D28/7; D4/114, 116, 127,  
D4/129, 132-138; 15/209.1, 210.1, 244.1  
CPC A61H 7/002; A61H 7/003; A61H 2201/1685;  
A45D 33/34; A45D 33/36; A47L 23/05;  
A47K 7/02; A47K 7/03; A47K 7/028;  
A61M 35/003  
See application file for complete search history.

5,228,165 A *	7/1993	Westberry	.....	A47K 7/024	15/160
D366,727 S *	1/1996	Possmann	.....	D28/63	
5,662,593 A	9/1997	Tillman			
5,857,233 A	1/1999	Wynn			
5,961,235 A	10/1999	Kennedy			
6,210,057 B1	4/2001	Yannaci			
6,415,470 B1 *	7/2002	Ramrattan	.....	A45D 34/04	15/144.4
6,911,010 B2	6/2005	Dirks			
D518,597 S *	4/2006	Sommers	.....	D24/119	
D553,794 S *	10/2007	Walker	.....	D28/63	
7,309,180 B2	12/2007	Russell			
D572,407 S *	7/2008	Cook	.....	D28/7	
D636,934 S *	4/2011	Chen	.....	D28/7	
D679,806 S *	4/2013	Davitt	.....	D24/119	
8,966,710 B1 *	3/2015	Lozano	.....	A46B 13/02	15/23
2007/0243005 A1	10/2007	Sviesa			

\* cited by examiner

*Primary Examiner* — Sheryl Lane  
*Assistant Examiner* — Calvin E Vansant

(57) **CLAIM**

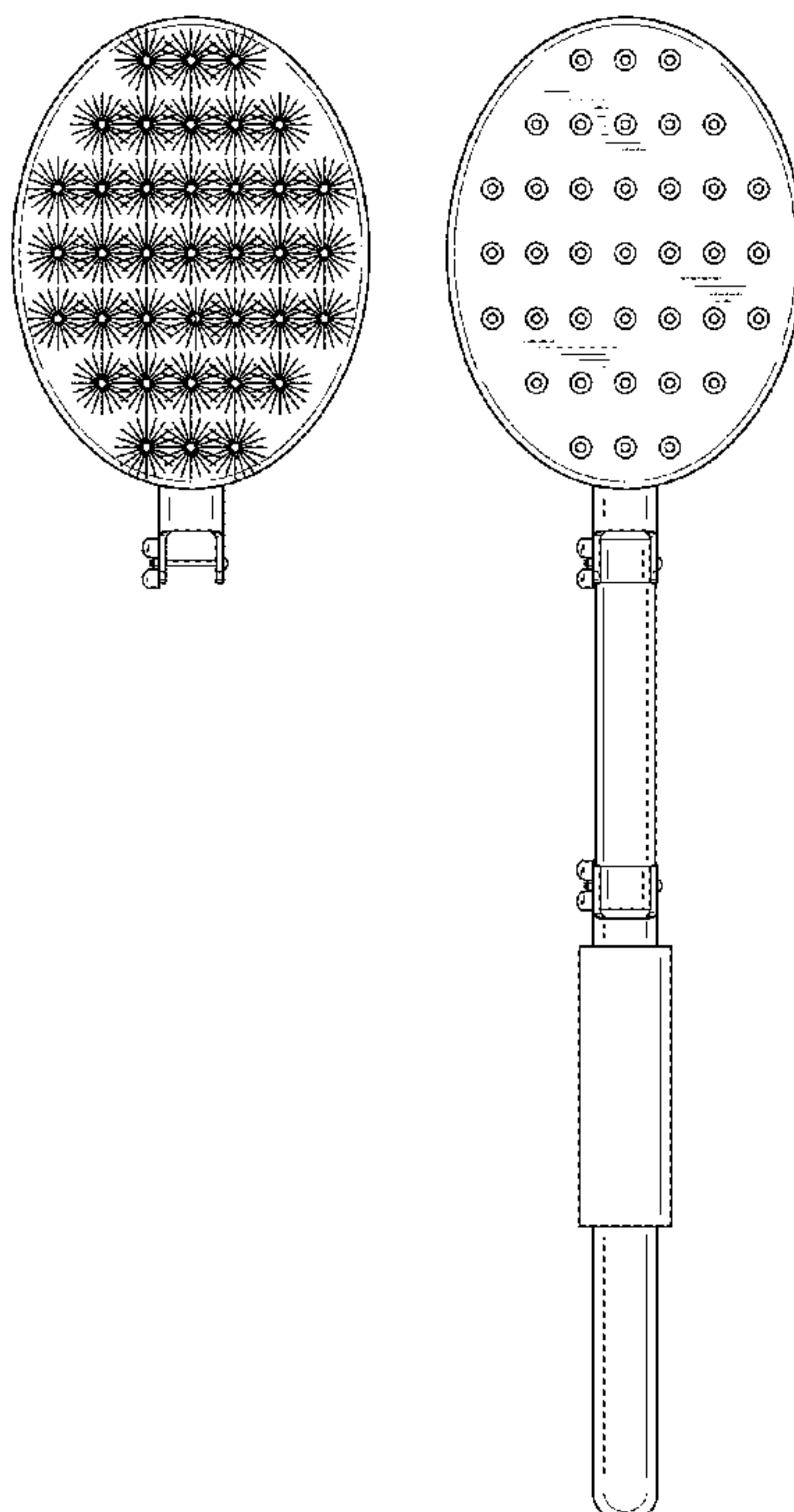
I claim the ornamental design for a lotion applicator and massager set, as shown and described.

**DESCRIPTION**

FIG. 1 is a front view of the lotion applicator and massager set.  
FIG. 2 is a back view of the claimed design.  
FIG. 3 is a left side view of the claimed design.  
FIG. 4 is a right side view of the claimed design.  
FIG. 5 is a top view of the claimed design; and,  
FIG. 6 is a bottom view of the claimed design.

**1 Claim, 5 Drawing Sheets**

- (56) **References Cited**  
U.S. PATENT DOCUMENTS
- 1,228,847 A \* 6/1917 Templeman ..... A46B 11/063  
15/244.1
- 2,379,330 A \* 6/1945 Wilensky ..... A46B 11/0013  
15/188
- 2,385,501 A 9/1945 Fevas
- 2,480,097 A \* 8/1949 Holden ..... A61H 7/002  
15/188
- D165,789 S \* 1/1952 Robbins ..... D4/116
- D252,709 S 8/1979 MacFadden



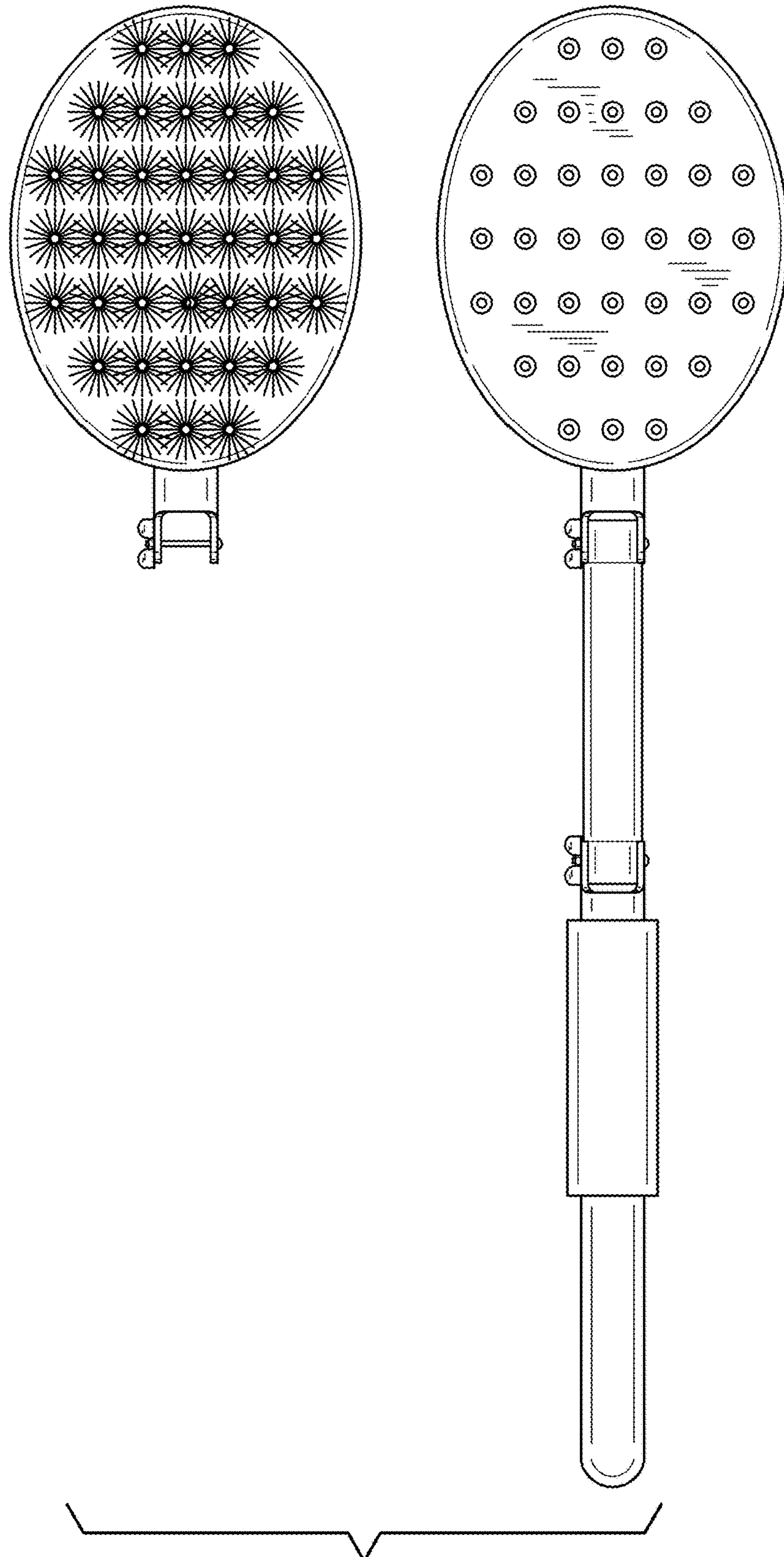


FIG. 1

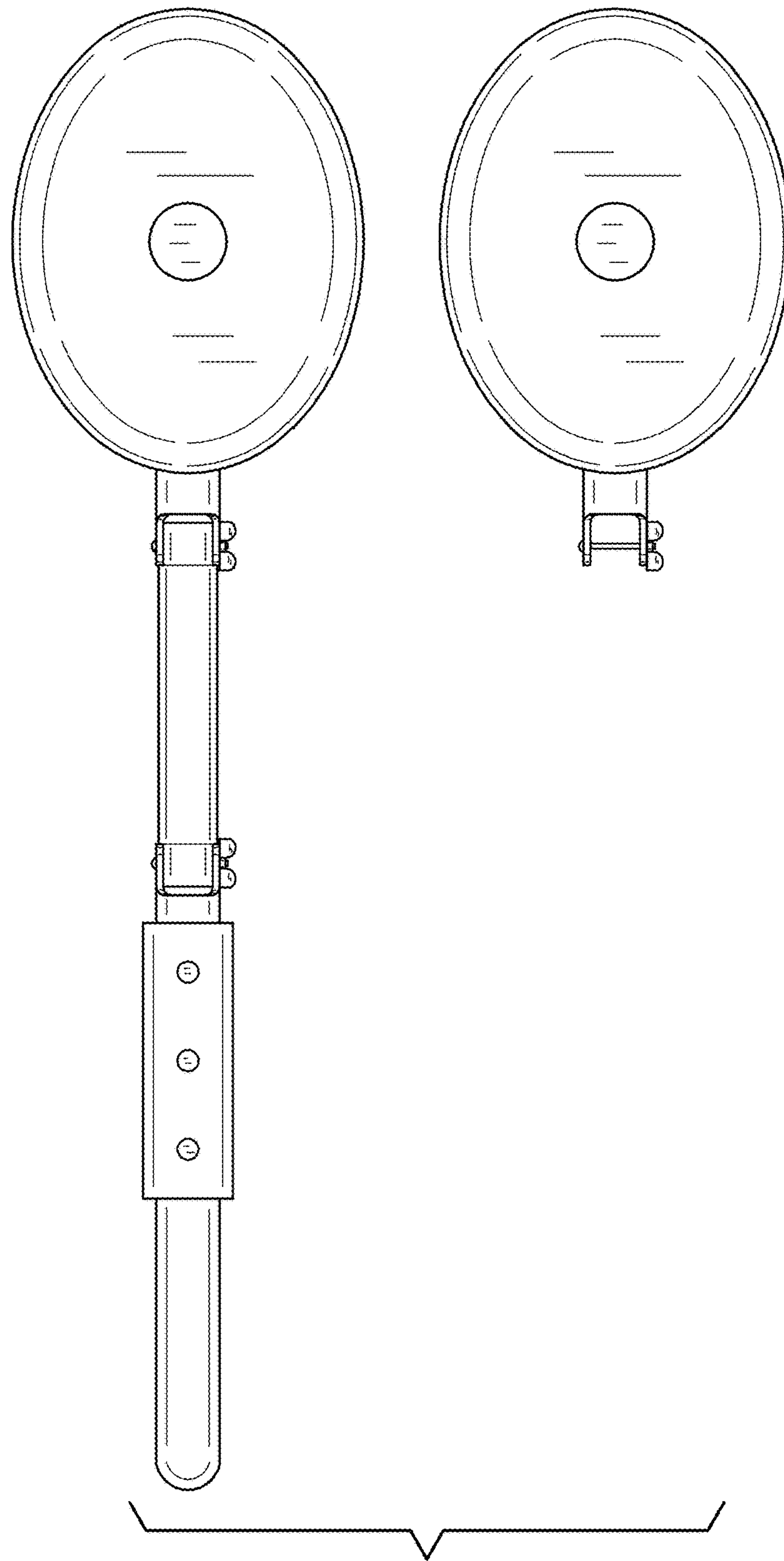


FIG. 2

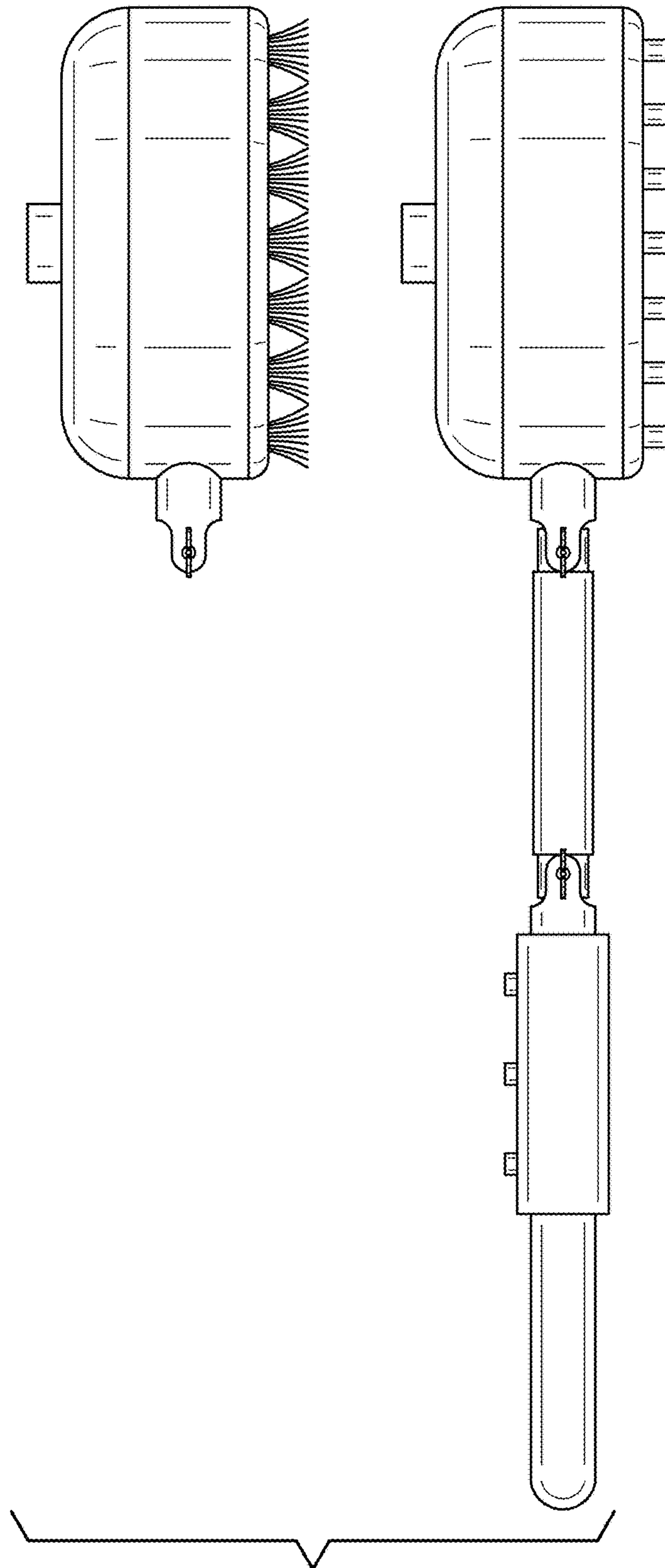


FIG. 3



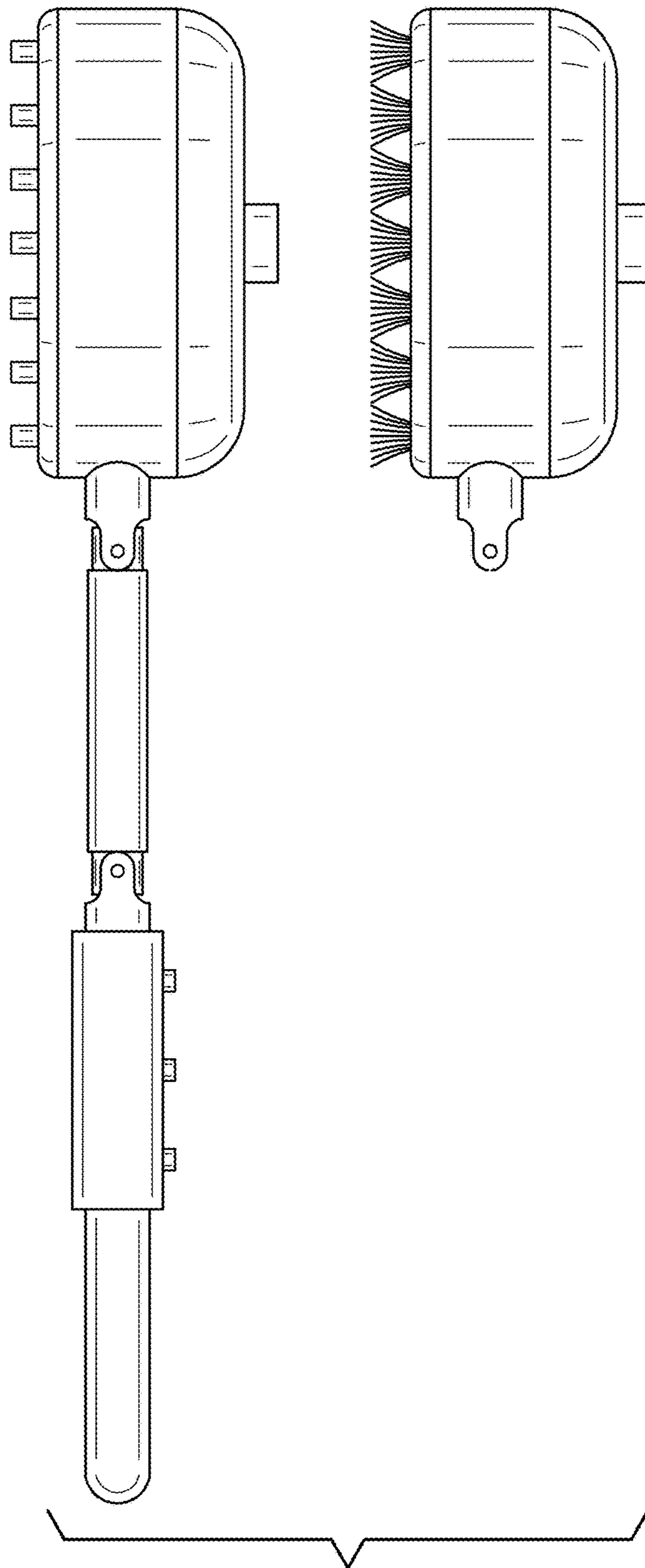


FIG. 4

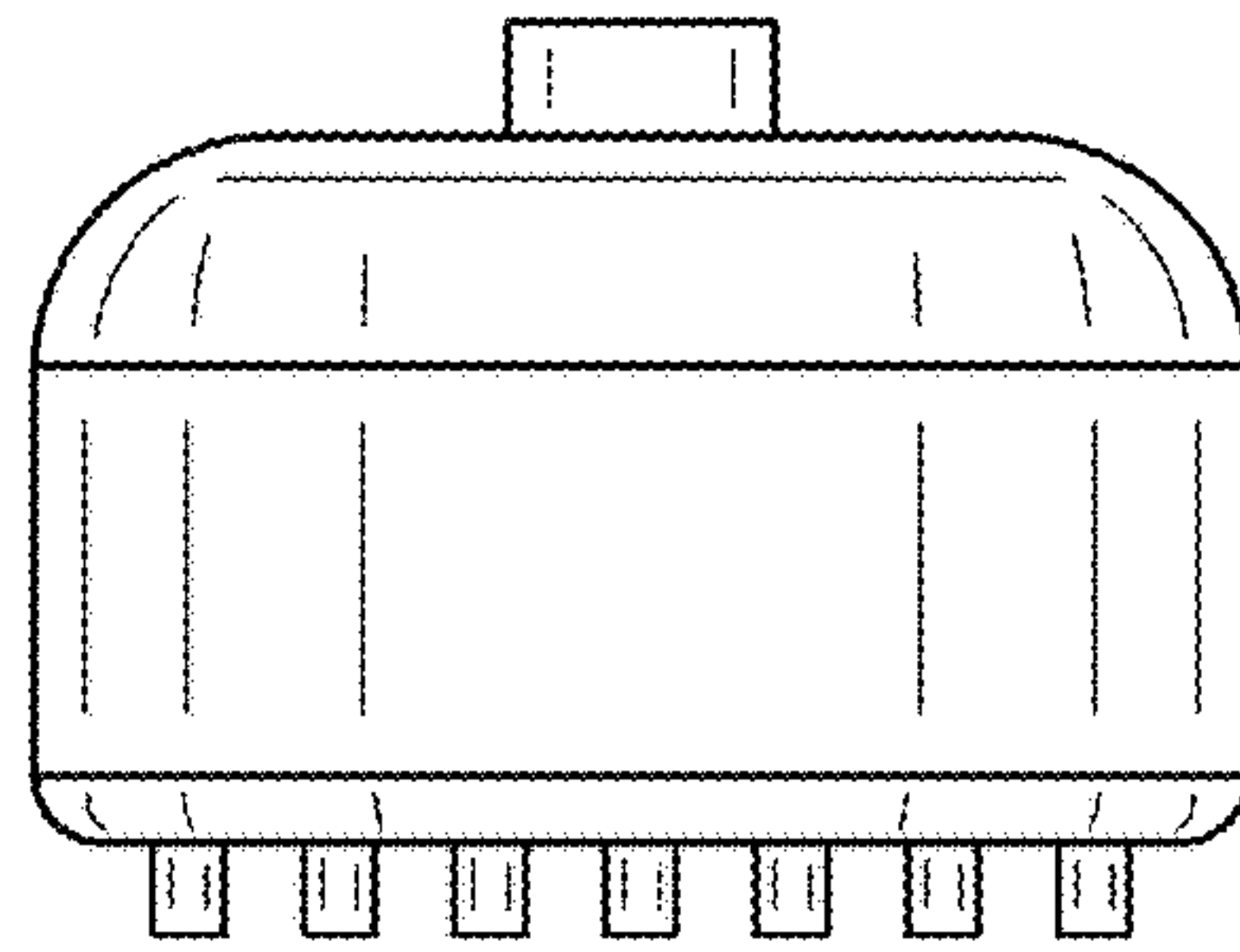
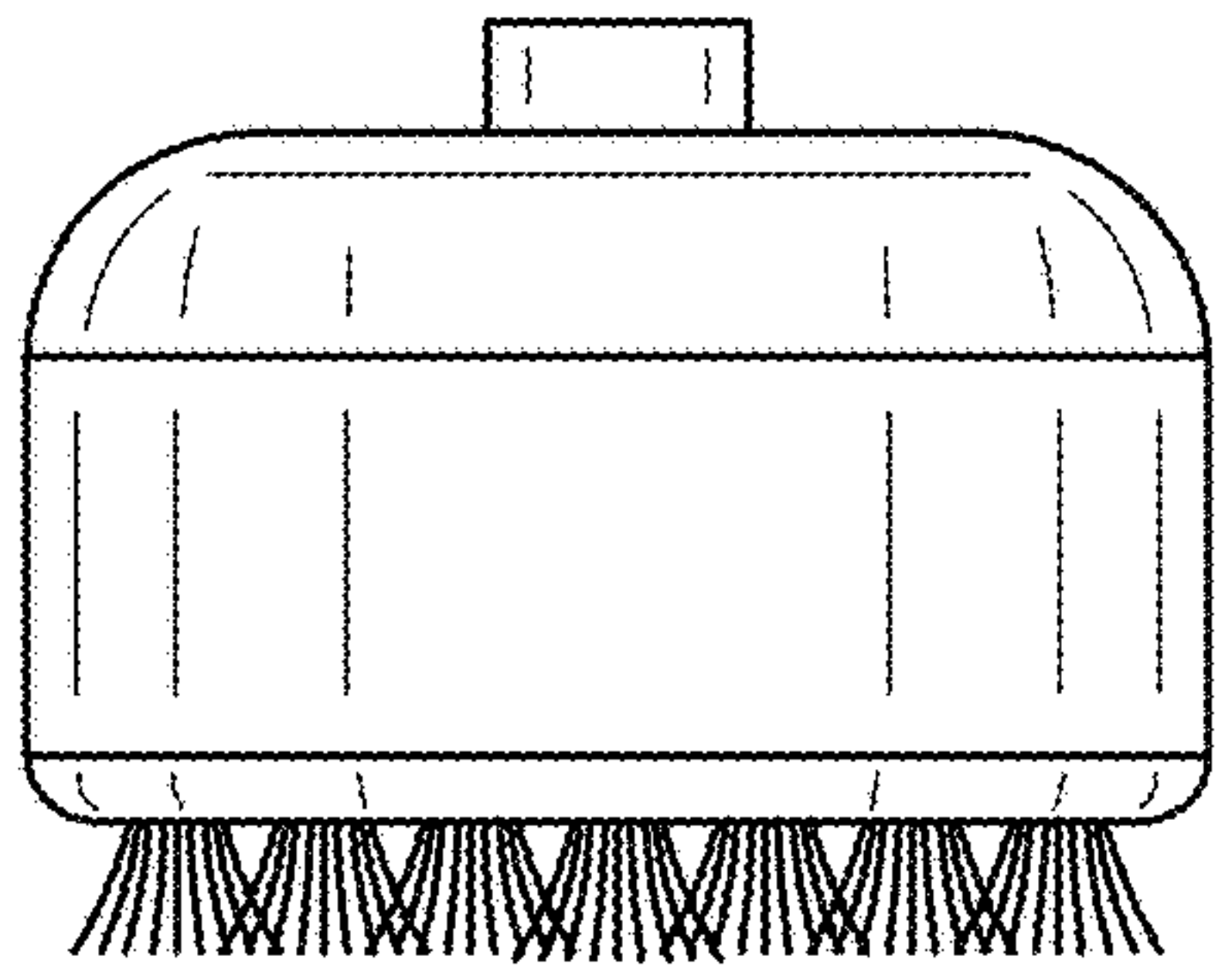


FIG. 5

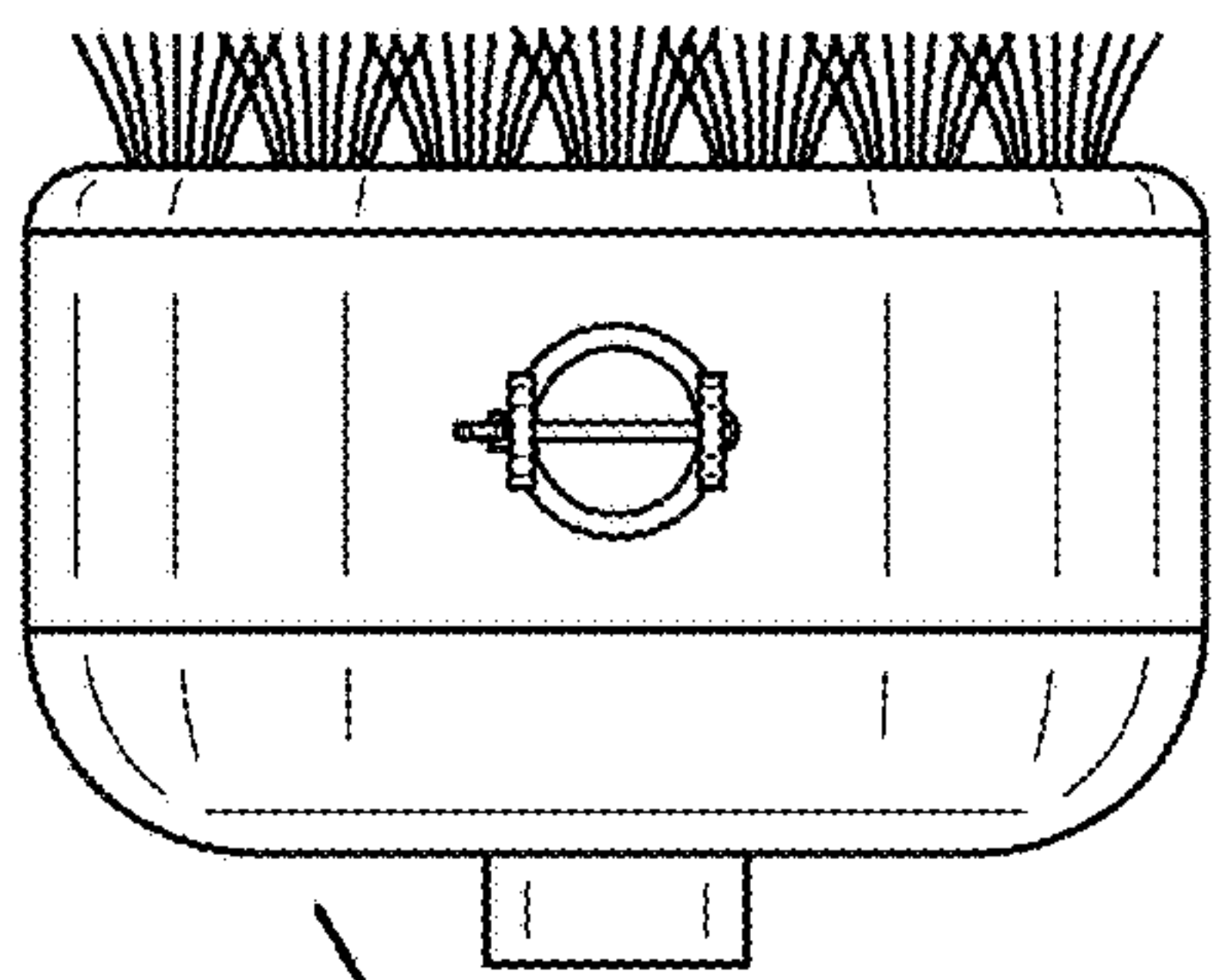
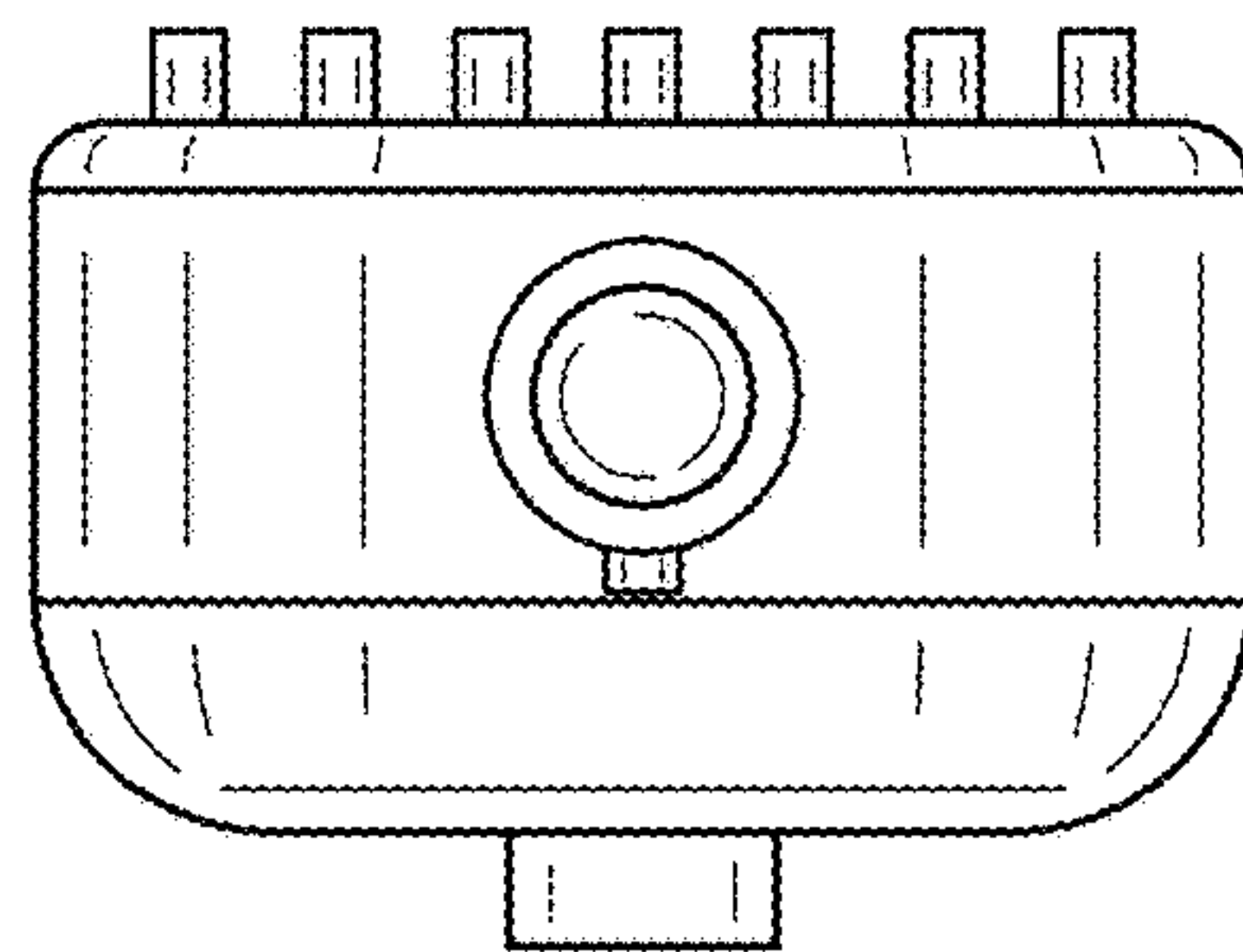


FIG. 6