



US00D777976S

(12) **United States Design Patent** (10) **Patent No.:** **US D777,976 S**  
**Mahlmeister** (45) **Date of Patent:** **\*\* Jan. 31, 2017**

(54) **VAPING HANDLE FOR PISTOL GRIP ATTACHMENT**

*Primary Examiner* — Michael A Pratt  
(74) *Attorney, Agent, or Firm* — Felix L. Fischer

(71) Applicant: **David G. Mahlmeister**, Santa Ynez, CA (US)

(57) **CLAIM**

The ornamental design for a vaping handle for pistol grip attachment, as shown and described.

(72) Inventor: **David G. Mahlmeister**, Santa Ynez, CA (US)

**DESCRIPTION**

(\*\*) Term: **14 Years**

FIG. 1 is a top rear perspective view of a vaping handle for pistol grip attachment according to the present design; FIG. 2 is a top front perspective view of the vaping handle for pistol grip attachment of FIG. 1; FIG. 3 is a bottom front perspective view of the vaping handle for pistol grip attachment of FIG. 1; FIG. 4 is a bottom rear perspective view of the vaping handle for pistol grip attachment of FIG. 1; FIG. 5 is top view of the vaping handle for pistol grip attachment of FIG. 1; FIG. 6 is a right side view of the vaping handle for pistol grip attachment of FIG. 1 (the left side being symmetrical); FIG. 7 is a bottom view of the vaping handle for pistol grip attachment of FIG. 1; FIG. 8 is a front view of the vaping handle for pistol grip attachment of FIG. 1; FIG. 9 is a rear view of the vaping handle for pistol grip attachment of FIG. 1; and, FIG. 10 is a right side view of the vaping handle for pistol grip attachment of FIG. 1 with environmental structure of an exemplary pistol grip attachment shown in phantom and not forming any part of the claimed design.

(21) Appl. No.: **29/522,120**

(22) Filed: **Mar. 27, 2015**

(51) **LOC (10) Cl.** ..... **27-02**

(52) **U.S. Cl.**  
USPC ..... **D27/165**

(58) **Field of Classification Search**  
USPC ..... D22/108; D27/165, 67, 172, 174, 181, D27/182, 187, 188, 193  
CPC ..... A24F 47/008; A24F 47/002; A24F 15/12; A24F 47/004; A24F 15/18; A24F 15/00; A24F 15/08  
See application file for complete search history.

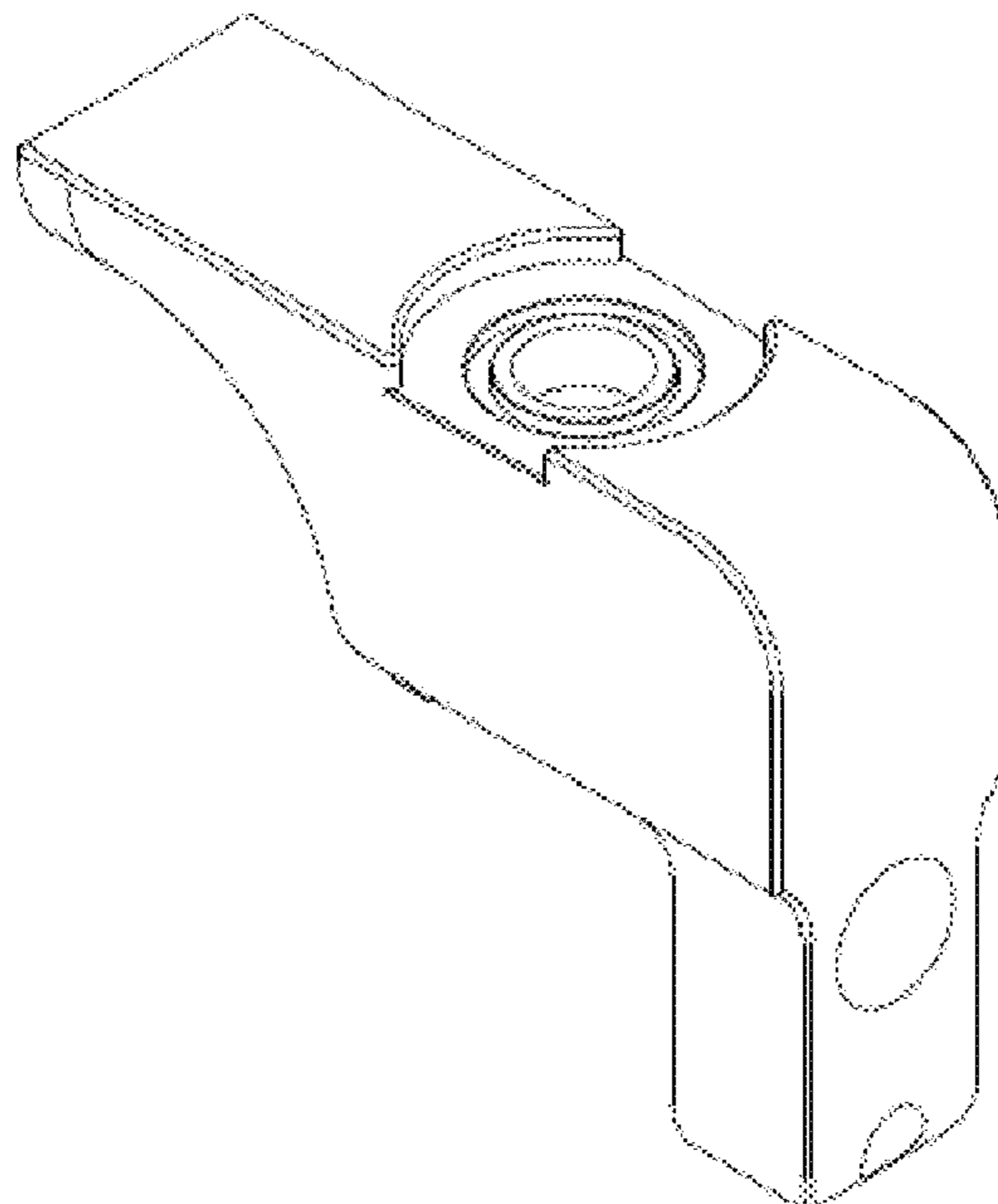
(56) **References Cited**

U.S. PATENT DOCUMENTS

D375,994 S \* 11/1996 Collins ..... D22/117  
D738,569 S \* 9/2015 Saide ..... D22/117  
D757,995 S \* 5/2016 Liu ..... D27/101

\* cited by examiner

**1 Claim, 7 Drawing Sheets**



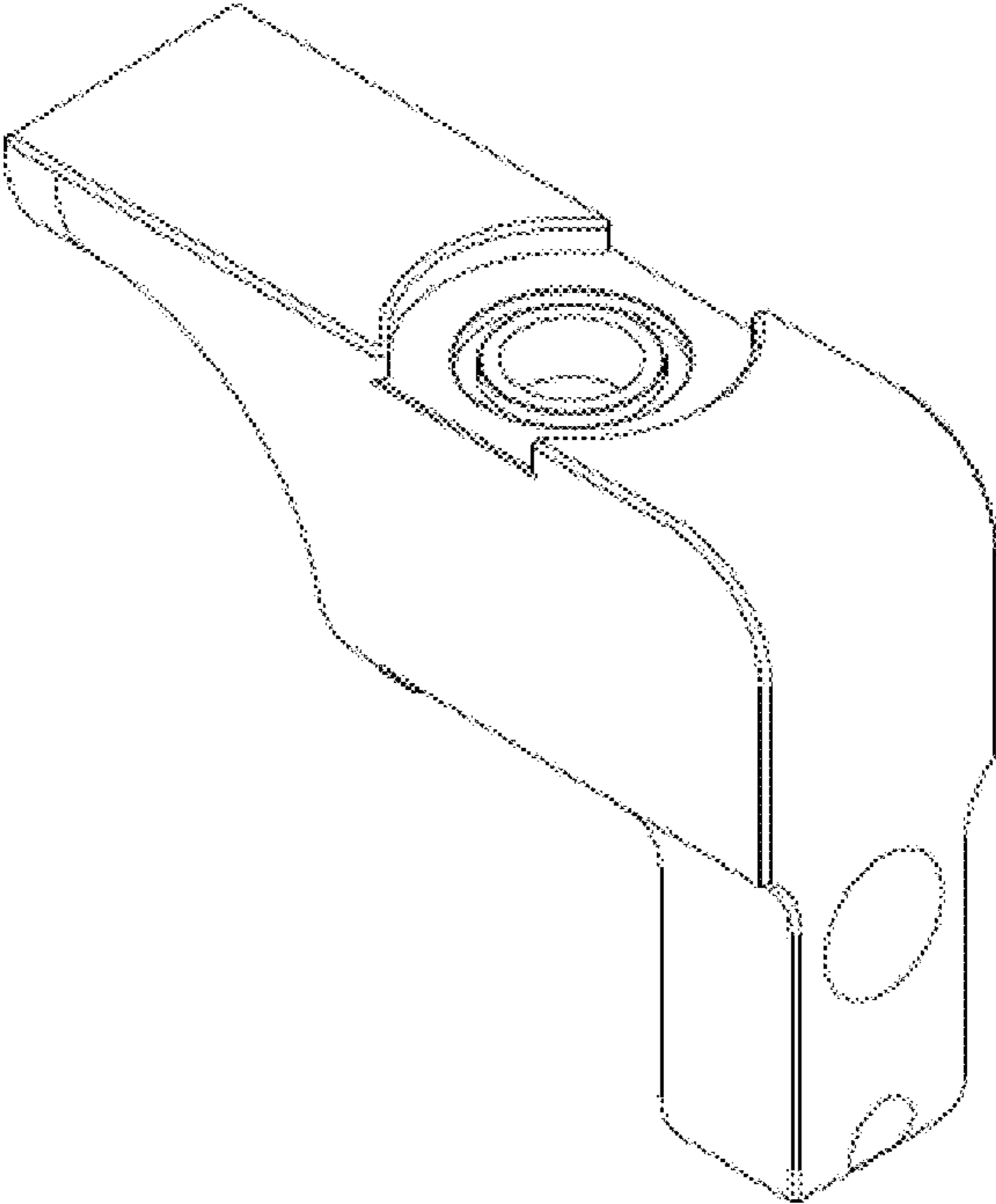


FIG. 1

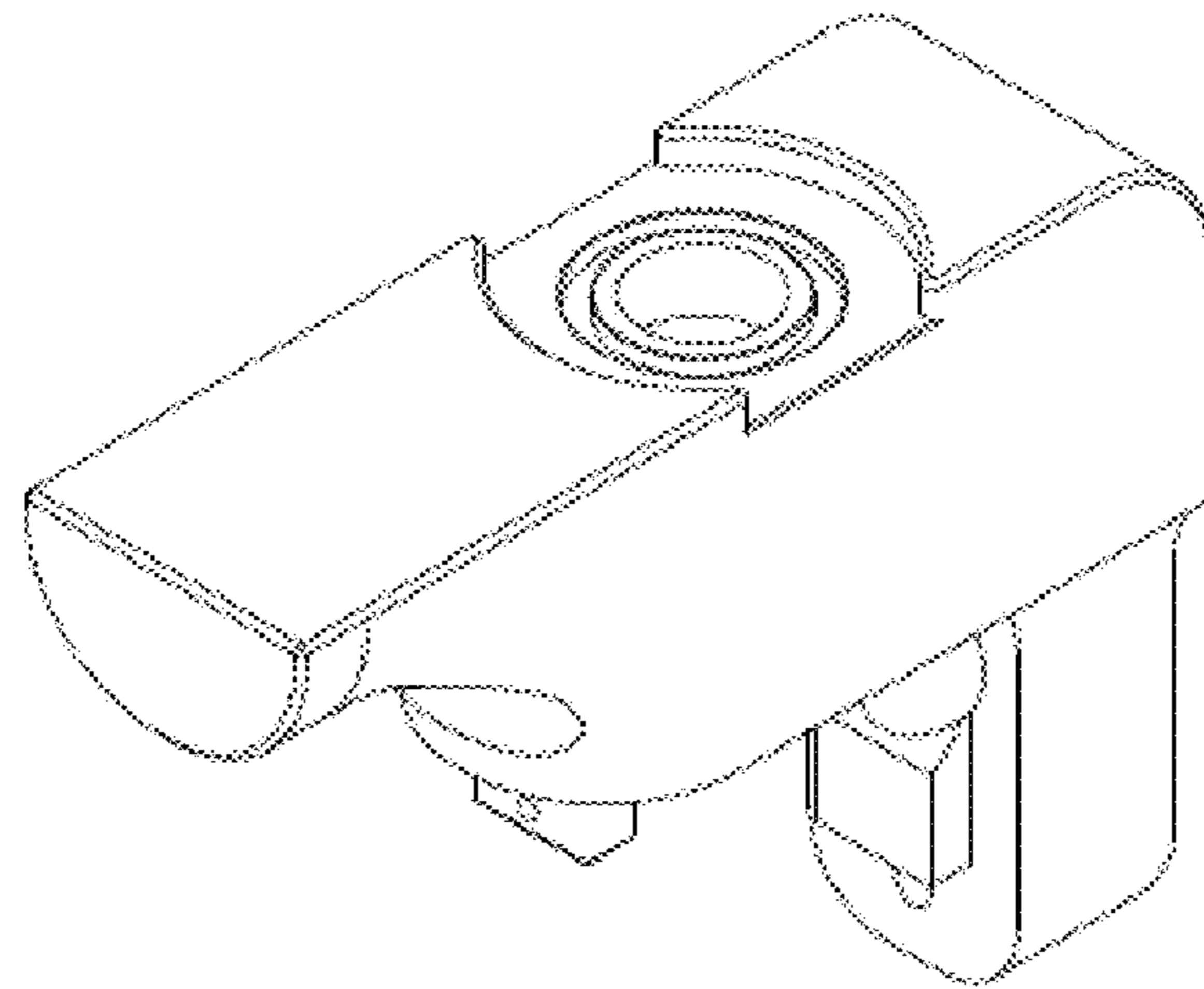


FIG. 2

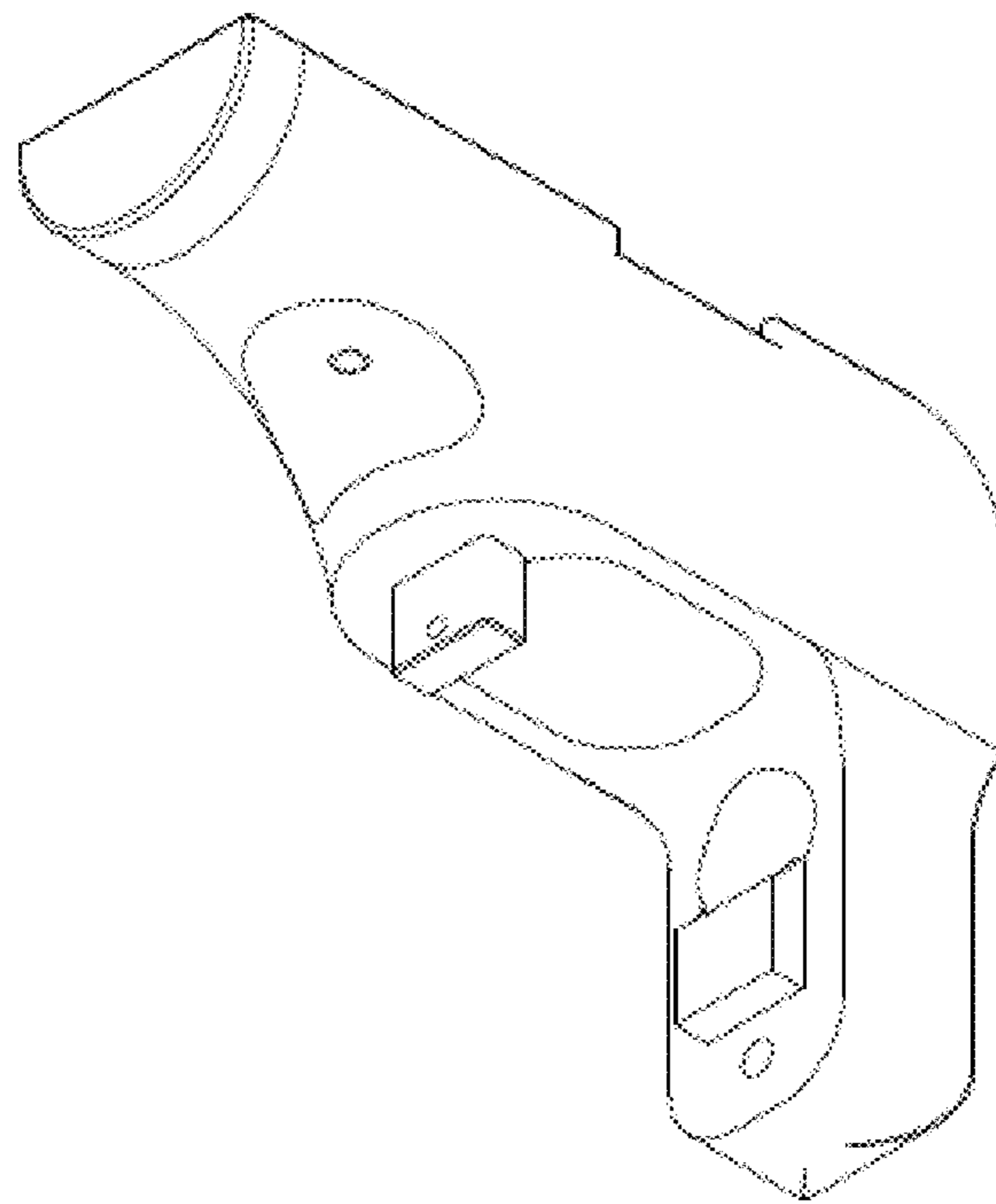


FIG. 3

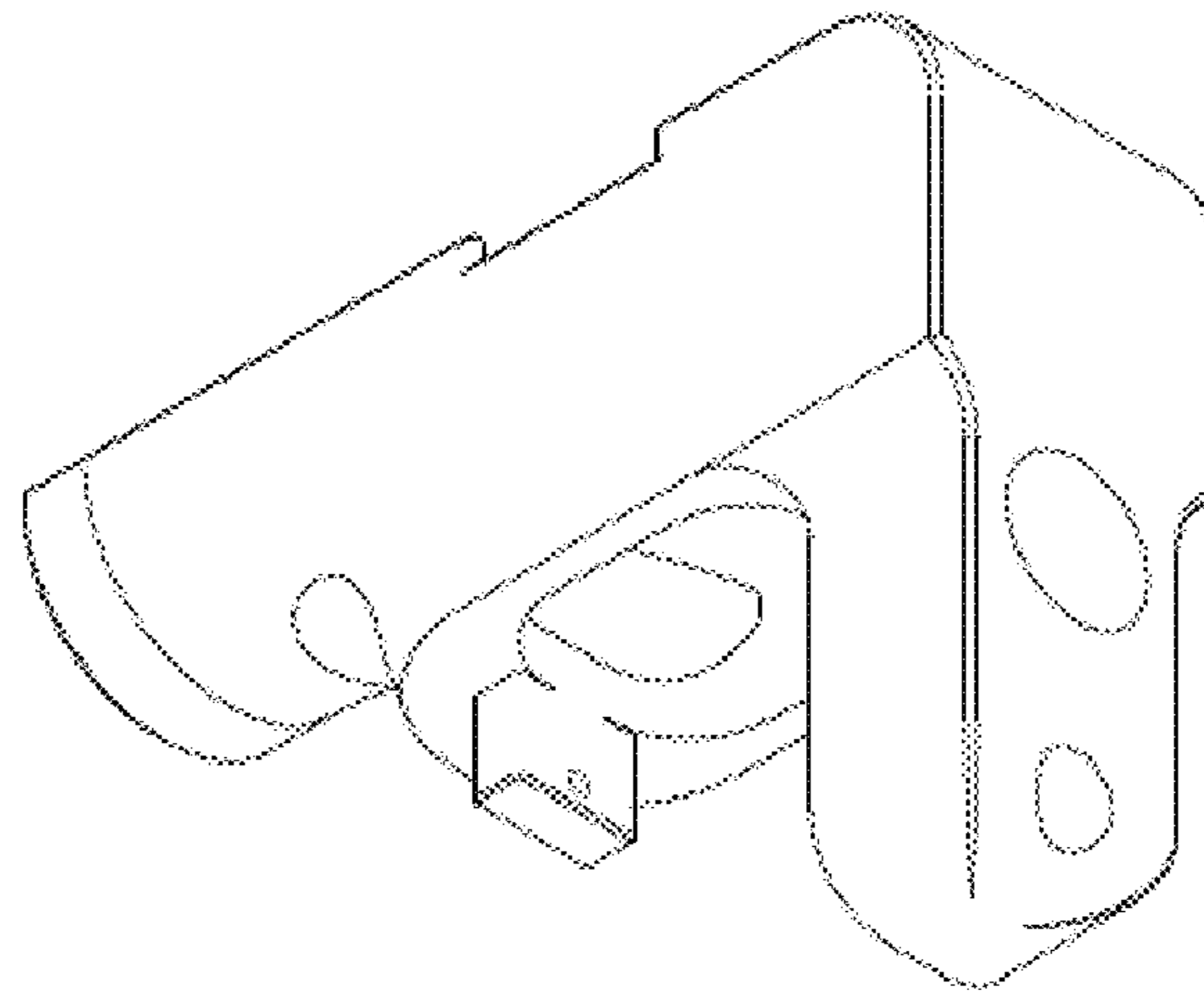


FIG. 4

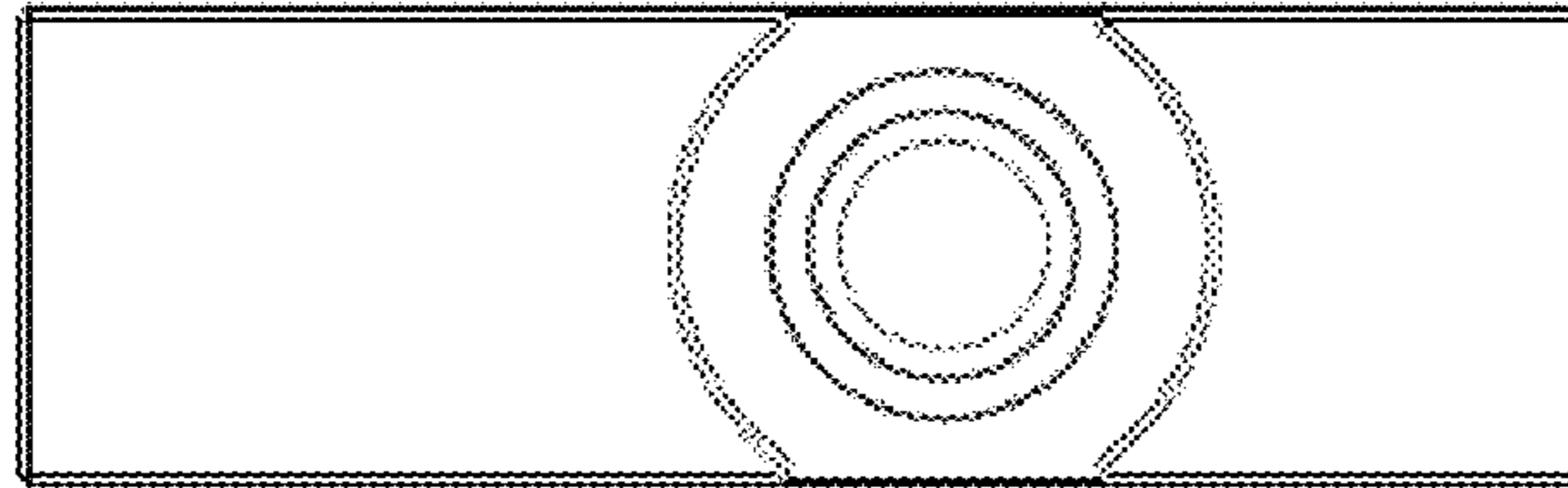


FIG. 5

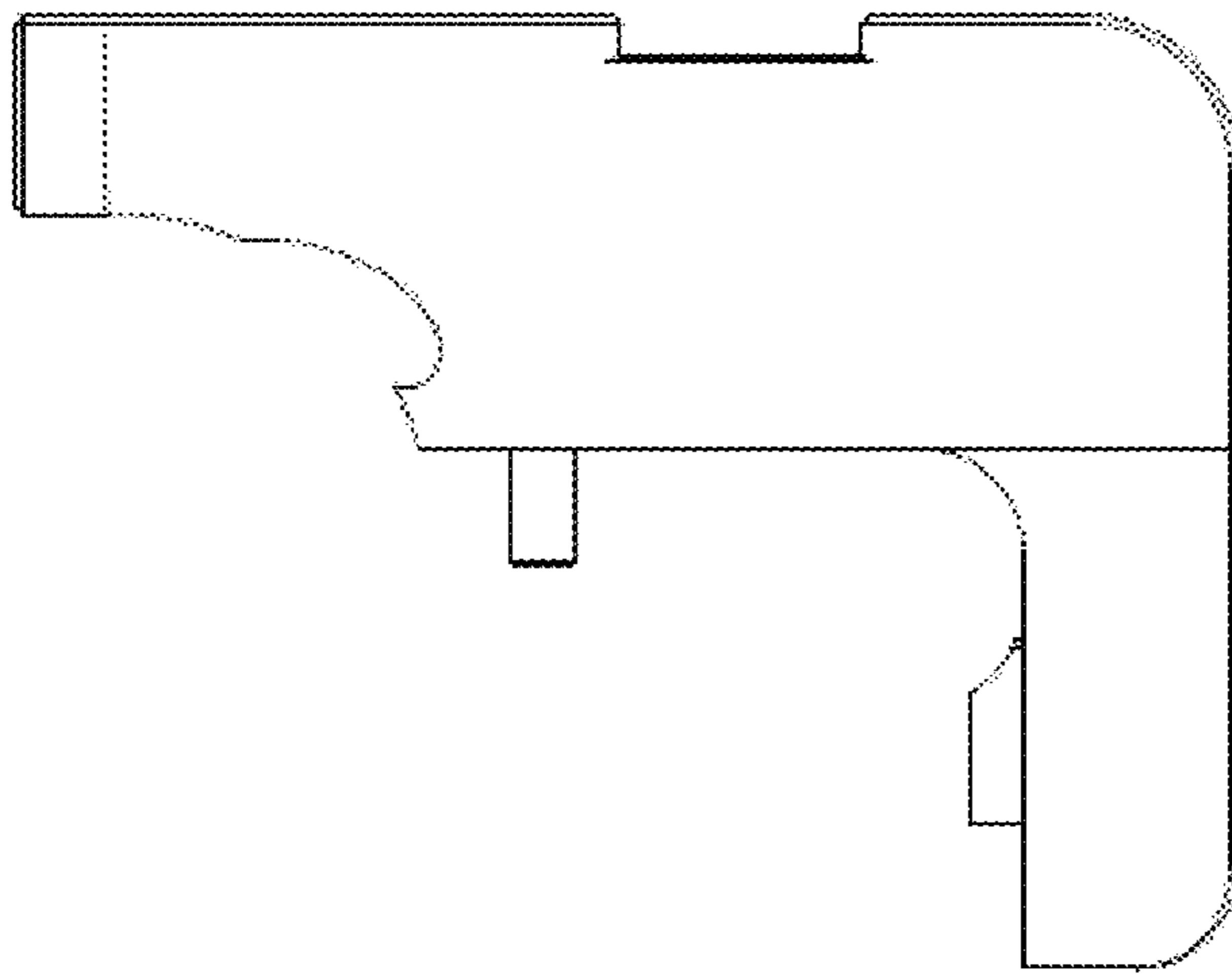


FIG. 6

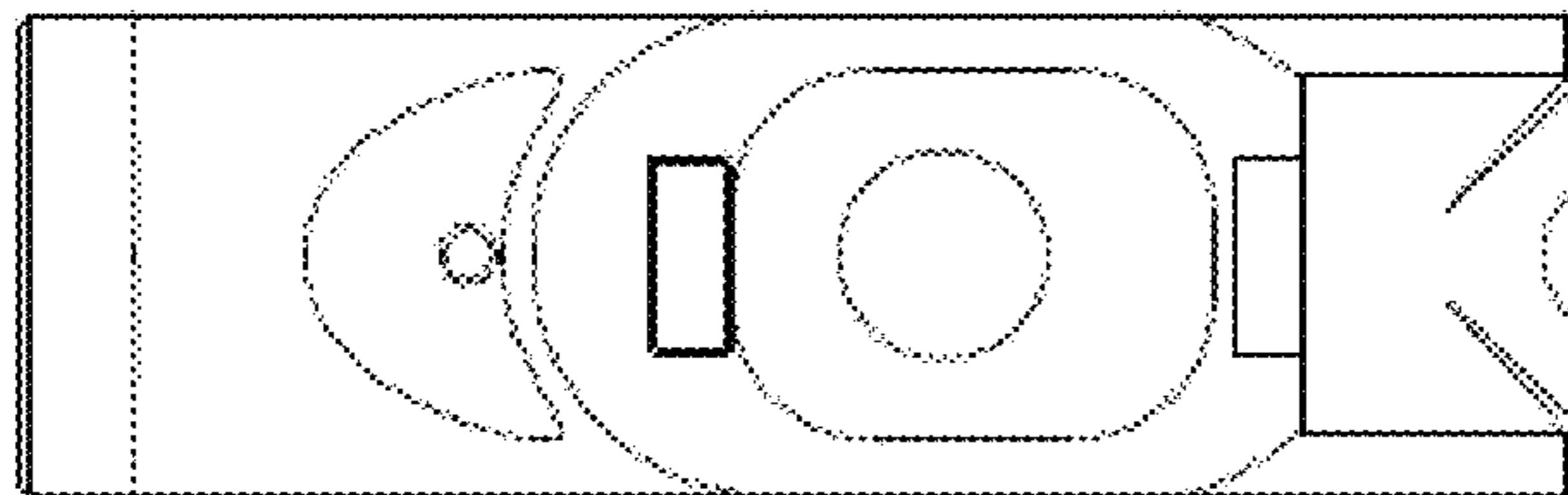


FIG. 7

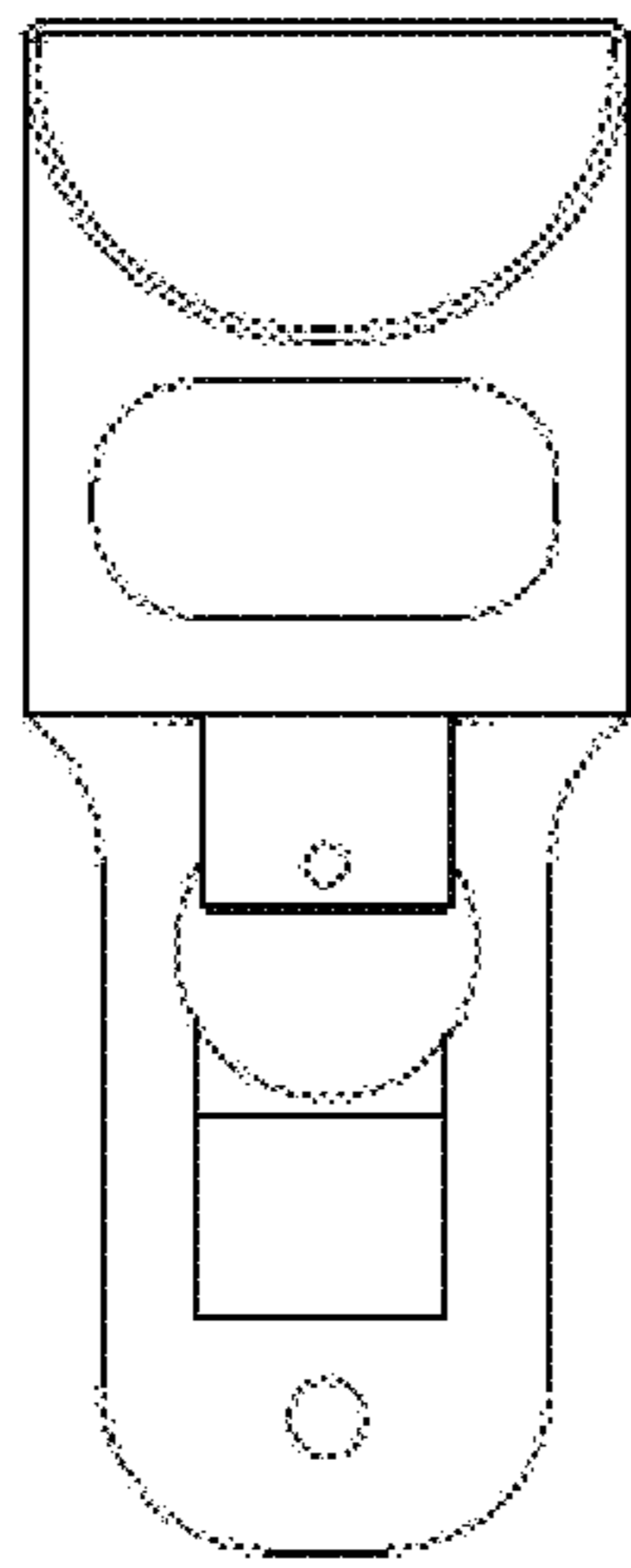


FIG. 8

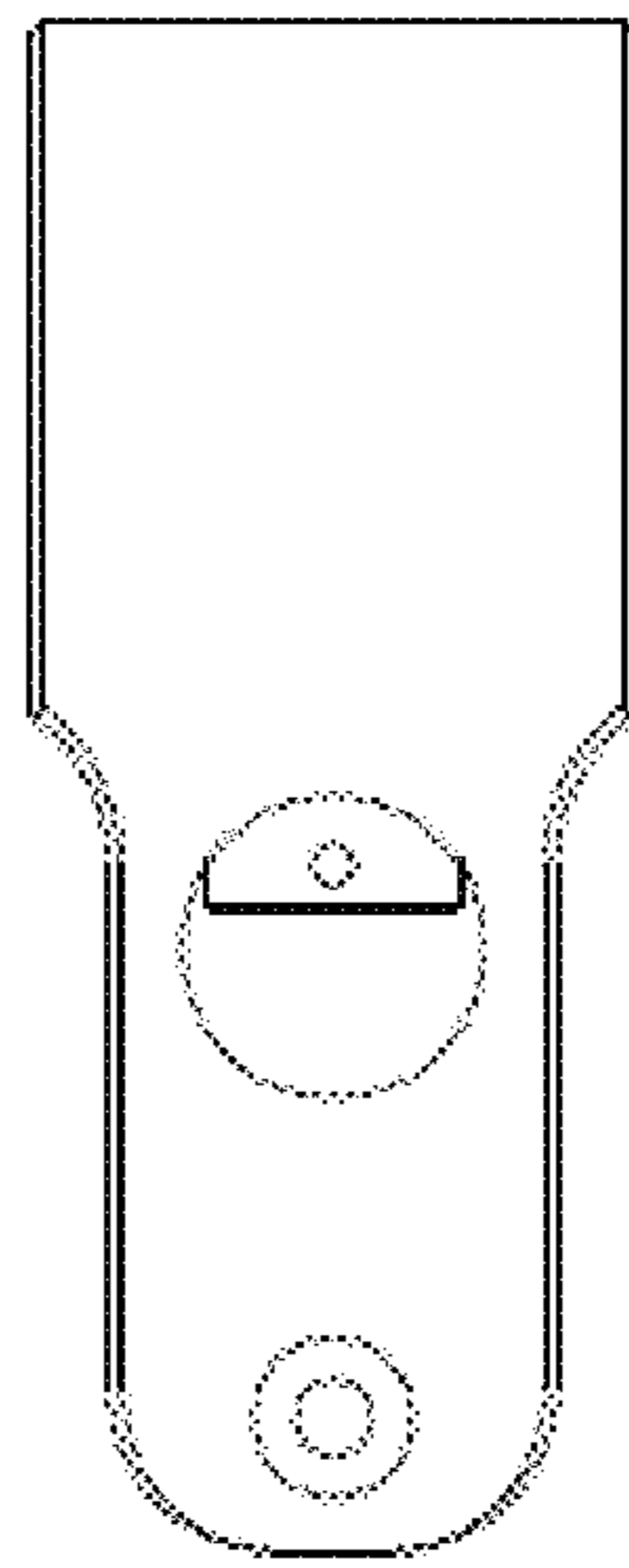


FIG. 9

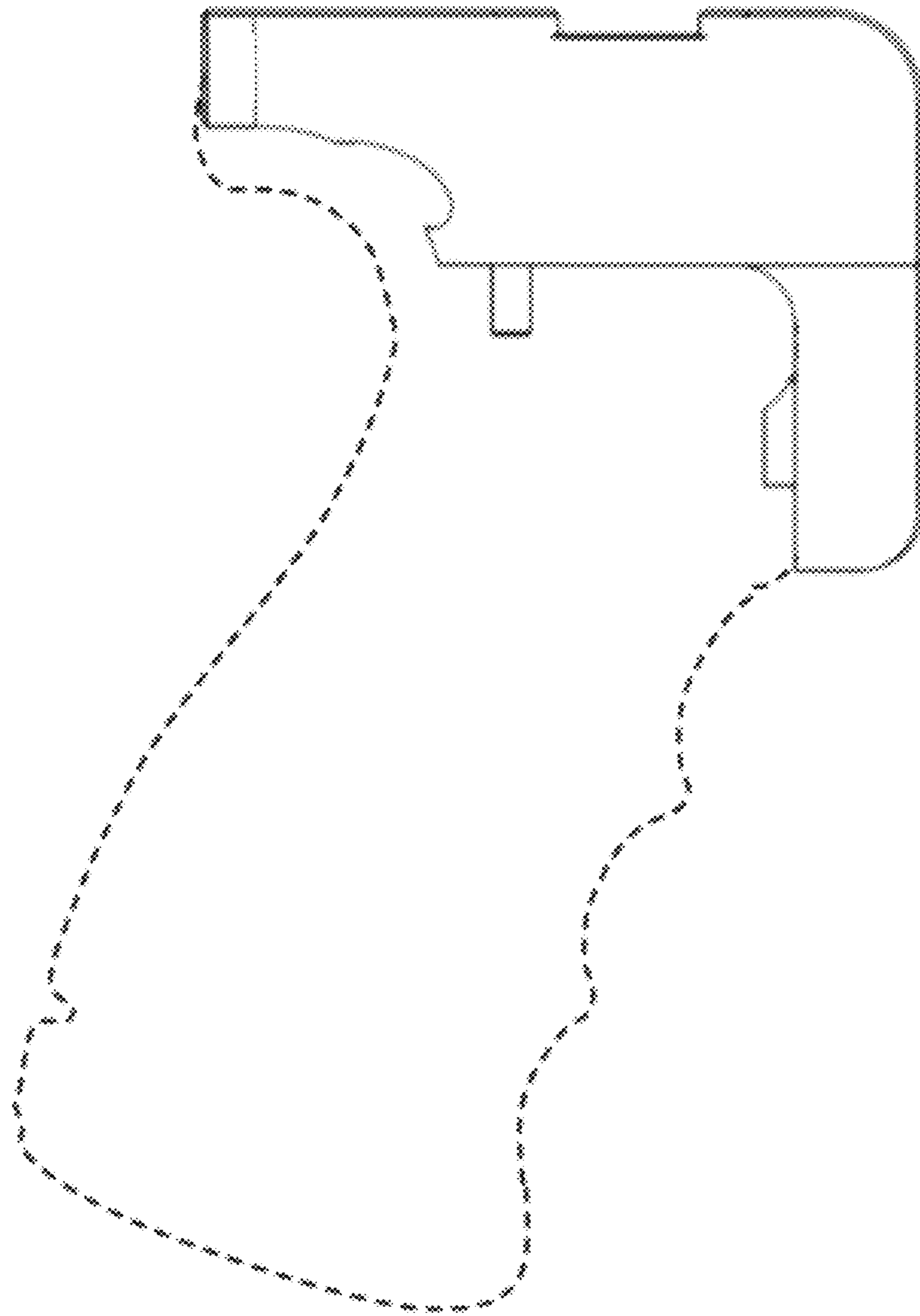


FIG. 10