



US00D777971S

(12) **United States Design Patent**
Citterio

(10) **Patent No.:** **US D777,971 S**
(45) **Date of Patent:** **** Jan. 31, 2017**

(54) **TABLE LAMP**

(71) Applicant: **FLOS S.P.A.**, Bovezzo (IT)

(72) Inventor: **Antonio Citterio**, Brescia (IT)

(73) Assignee: **FLOS S.p.A.**, Bovezzo (Brescia) (IT)

(**) Term: **15 Years**

(21) Appl. No.: **35/500,374**

(22) Filed: **Sep. 28, 2015**

(80) **Hague Agreement Data**

Int. Filing Date: **Sep. 28, 2015**

Int. Reg. No.: **DM/088515**

Int. Reg. Date: **Sep. 28, 2015**

Int. Reg. Pub. Date: **Dec. 18, 2015**

(51) **LOC (10) Cl.** **26-03**

(52) **U.S. Cl.**
USPC **D26/107**

(58) **Field of Classification Search**

USPC D26/24, 93, 106, 107

CPC F21S 6/00; F21S 6/002; F21V 21/00;
F21V 21/02; F21V 23/04; F21W 2121/00;
F21W 2131/20; F21W 2131/30

See application file for complete search history.

(56) **References Cited**

U.S. PATENT DOCUMENTS

D628,729 S 12/2010 Citterio
D732,725 S * 6/2015 Lonsdale D26/107

D756,020 S * 5/2016 Waldmann D26/107
D757,341 S * 5/2016 Marijnissen D26/107
D759,289 S * 6/2016 Newhouse D26/107
D761,995 S * 7/2016 Gismondi D26/107

* cited by examiner

Primary Examiner — Zenia Bennett

(74) *Attorney, Agent, or Firm* — Thomas | Horstemeyer,
LLP

(57) **CLAIM**

The ornamental design for a table lamp, as shown and described.

DESCRIPTION

1. Table lamp

FIG. 1.1 is a perspective view.

FIG. 1.2 is another perspective view.

FIG. 1.3 is a left side view.

FIG. 1.4 is a right side view.

FIG. 1.5 is a front view.

FIG. 1.6 is a rear view.

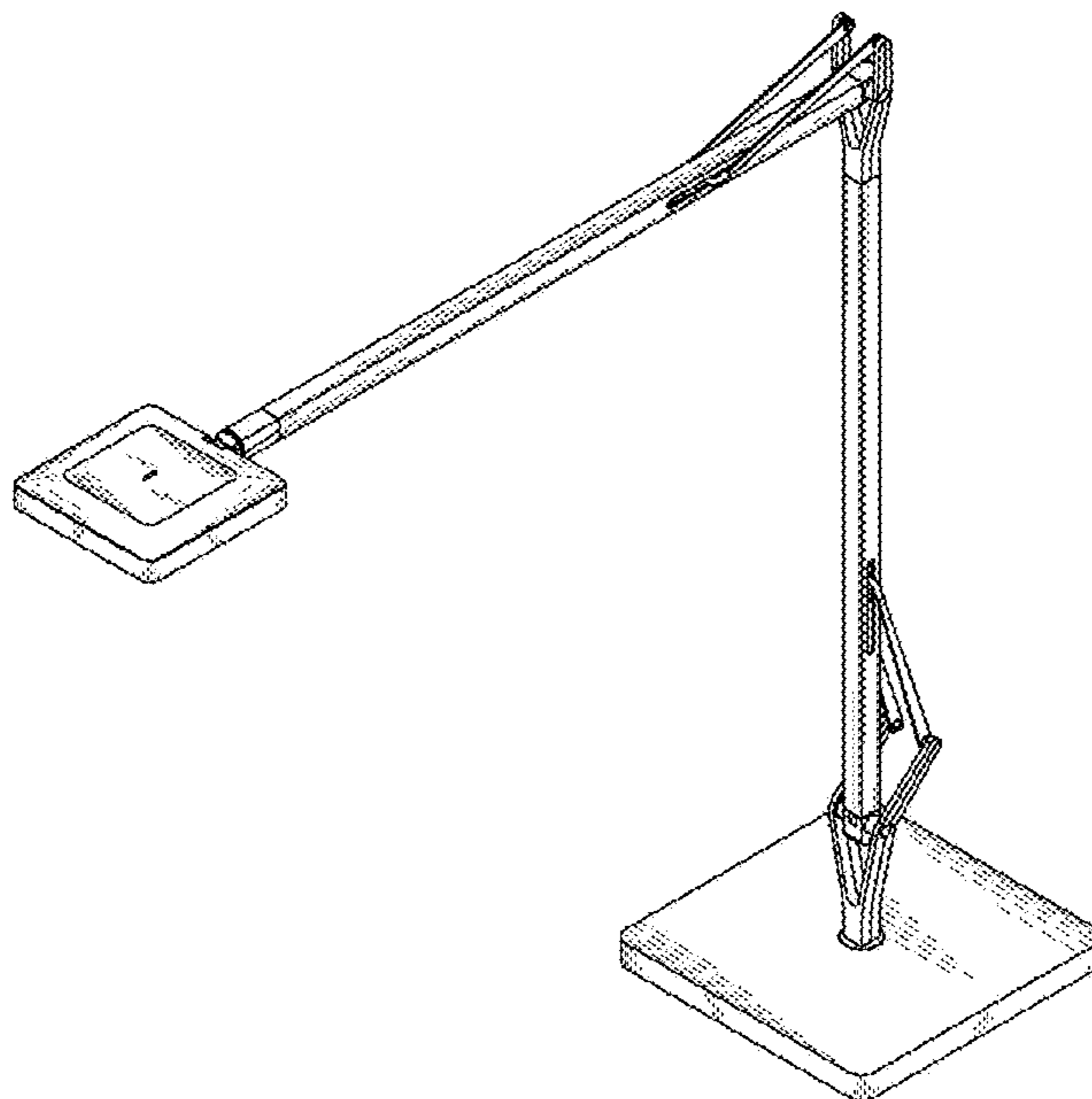
FIG. 1.7 is a top view.

FIG. 1.8 is a partial enlarged view.

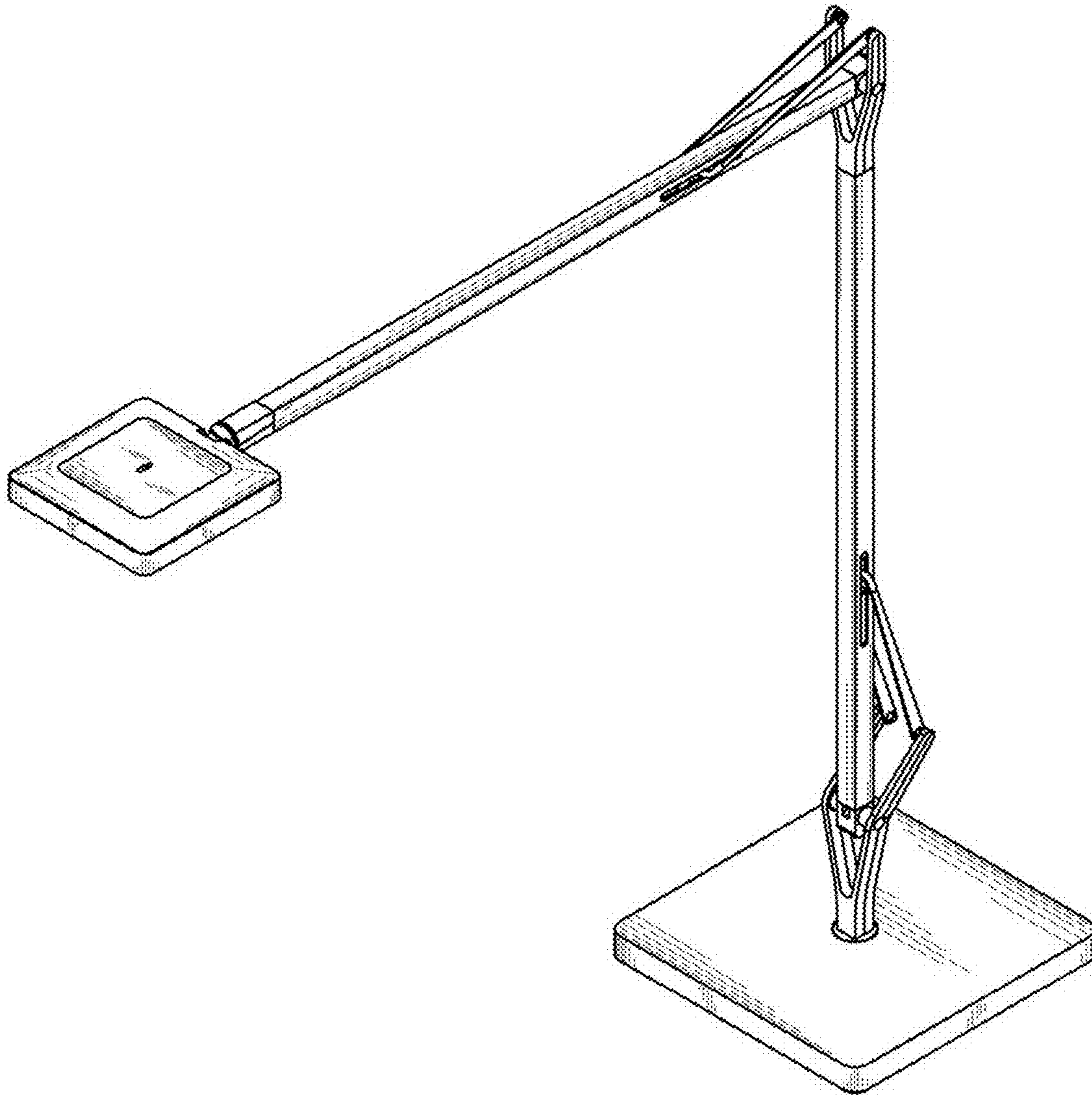
FIG. 1.9 is a partial enlarged view.

The model regards a table lamp; the drawings contain two enlarged views of the end part of the supporting structure with the lighting head.

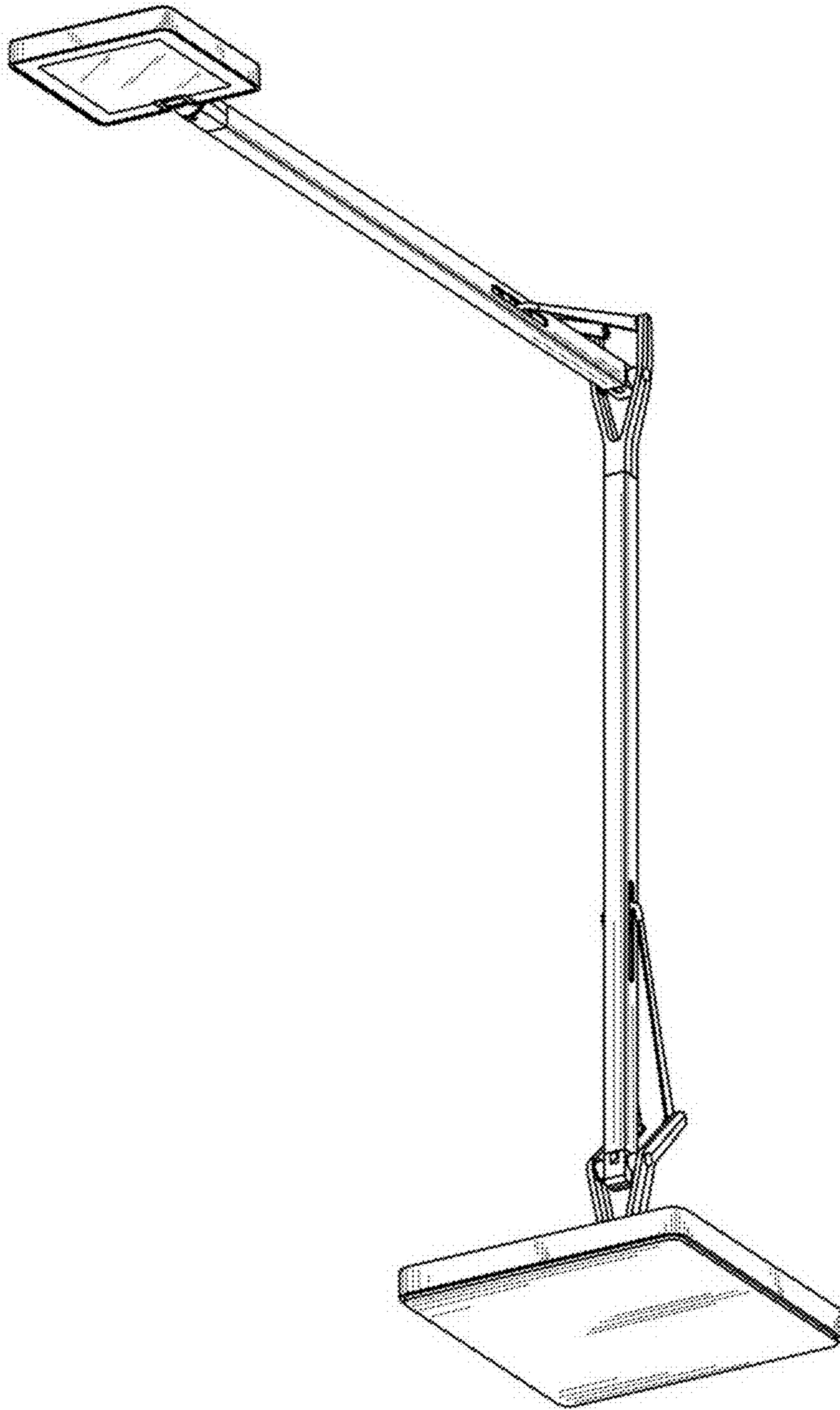
1 Claim, 9 Drawing Sheets



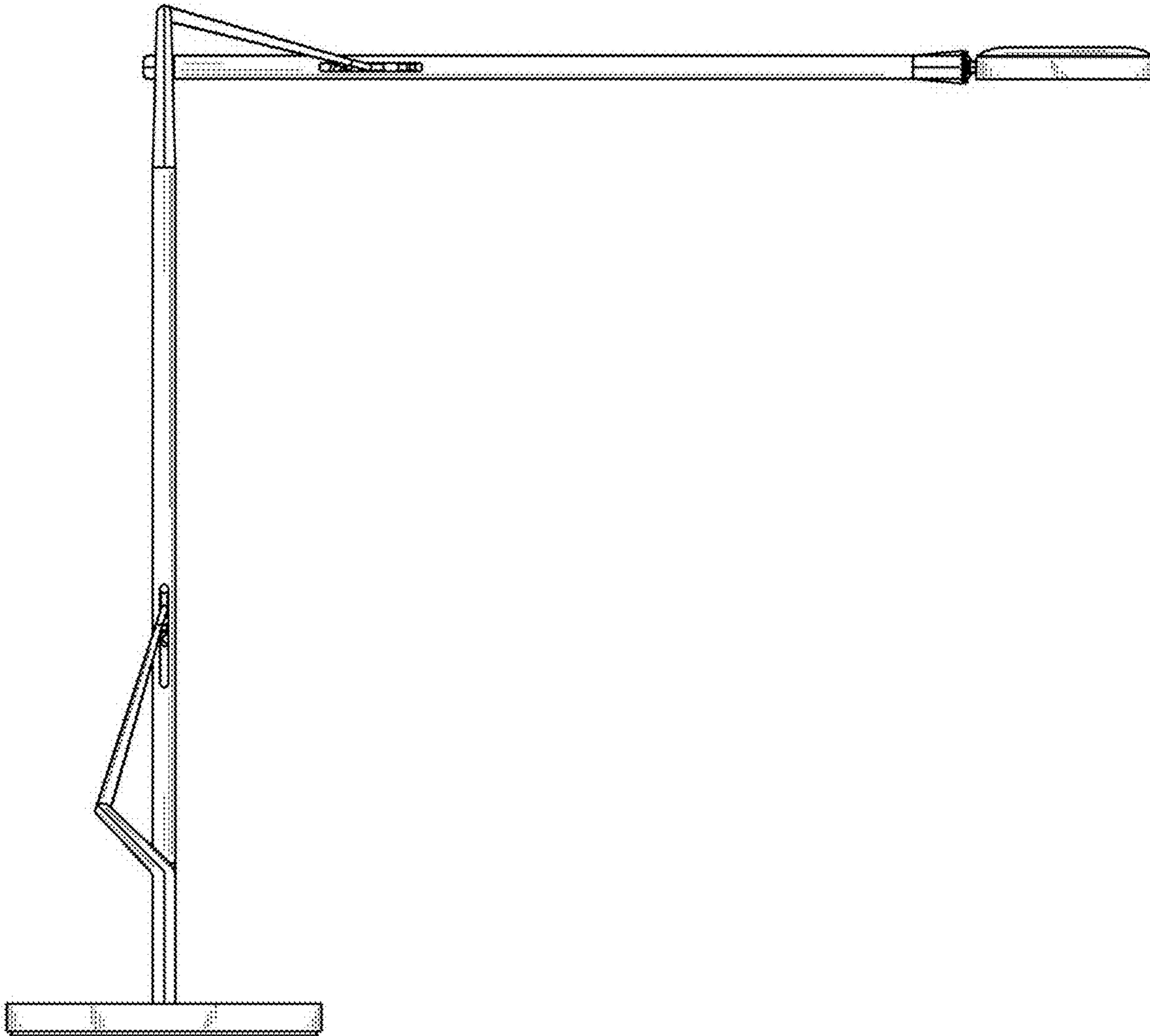
1.1



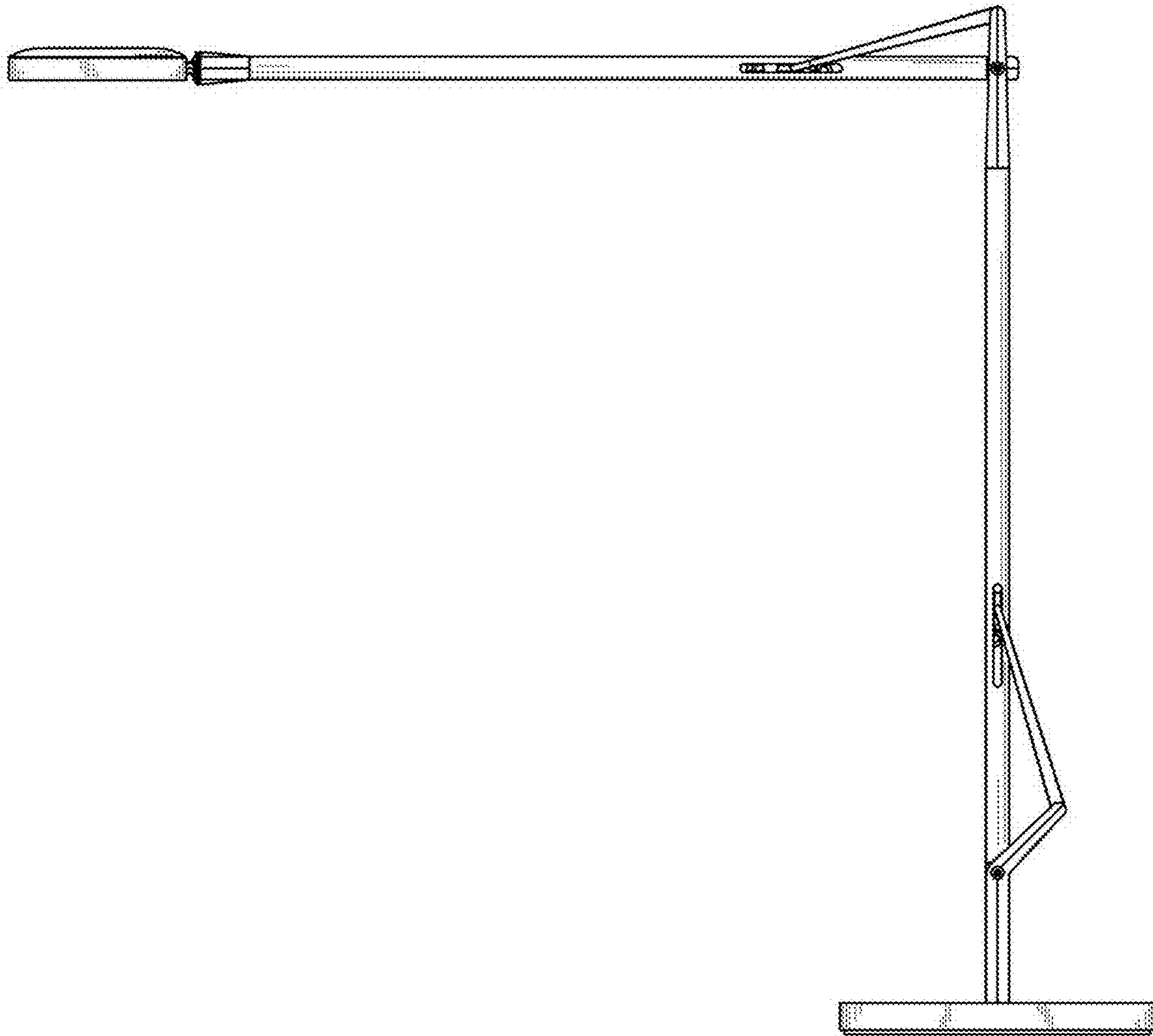
1.2



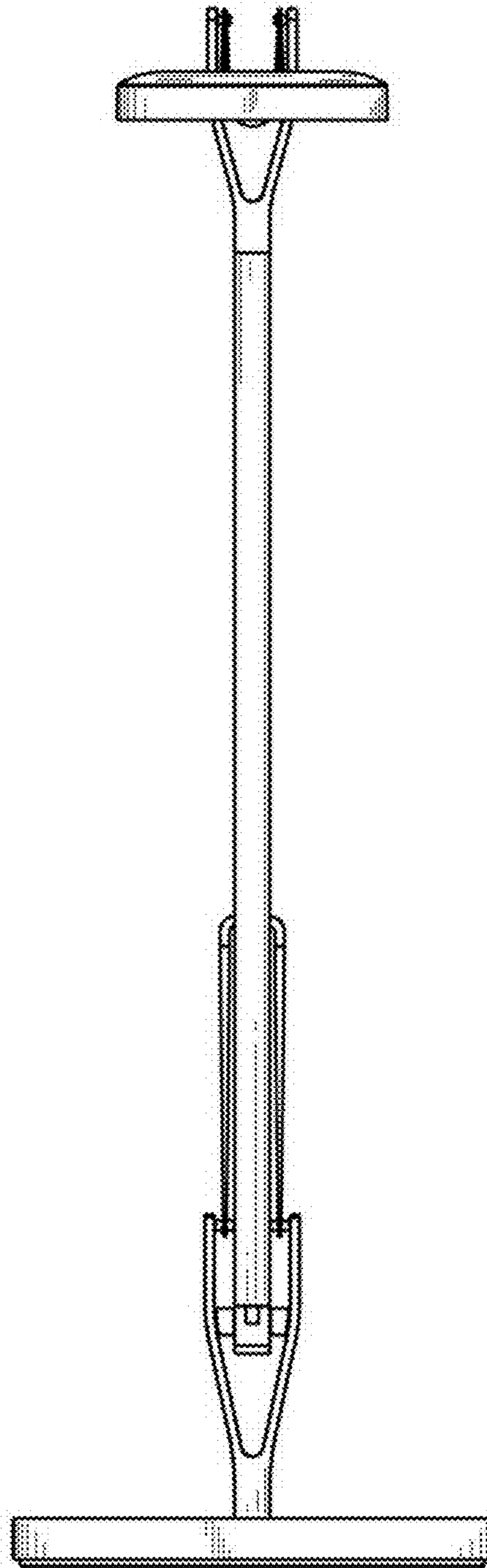
1.3



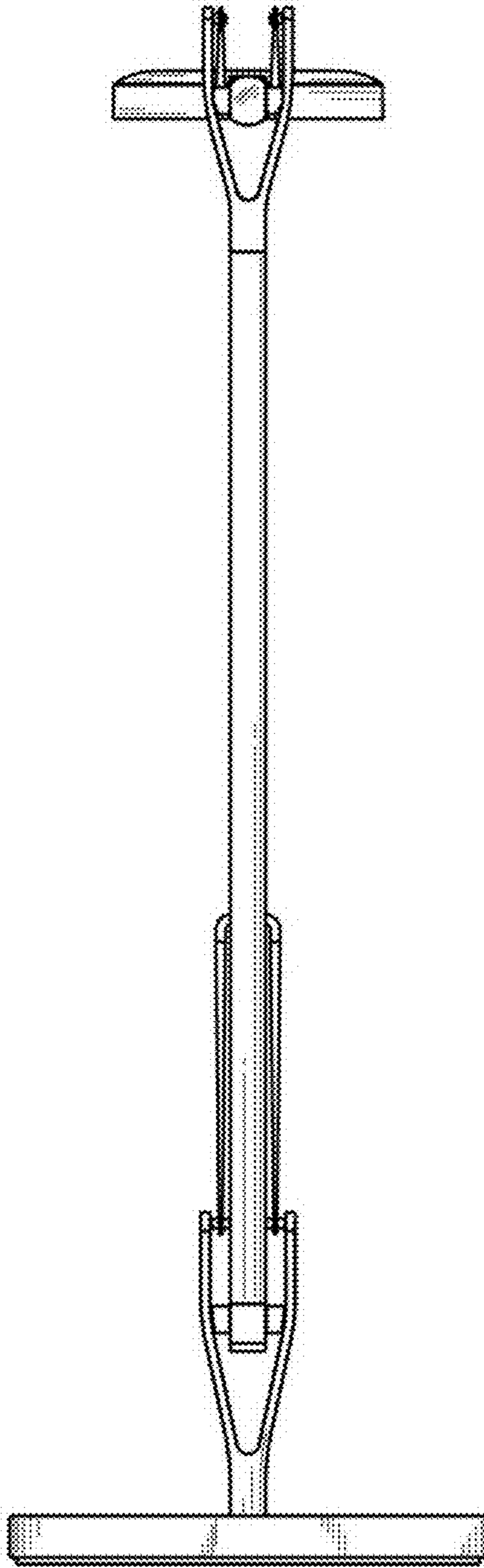
1.4



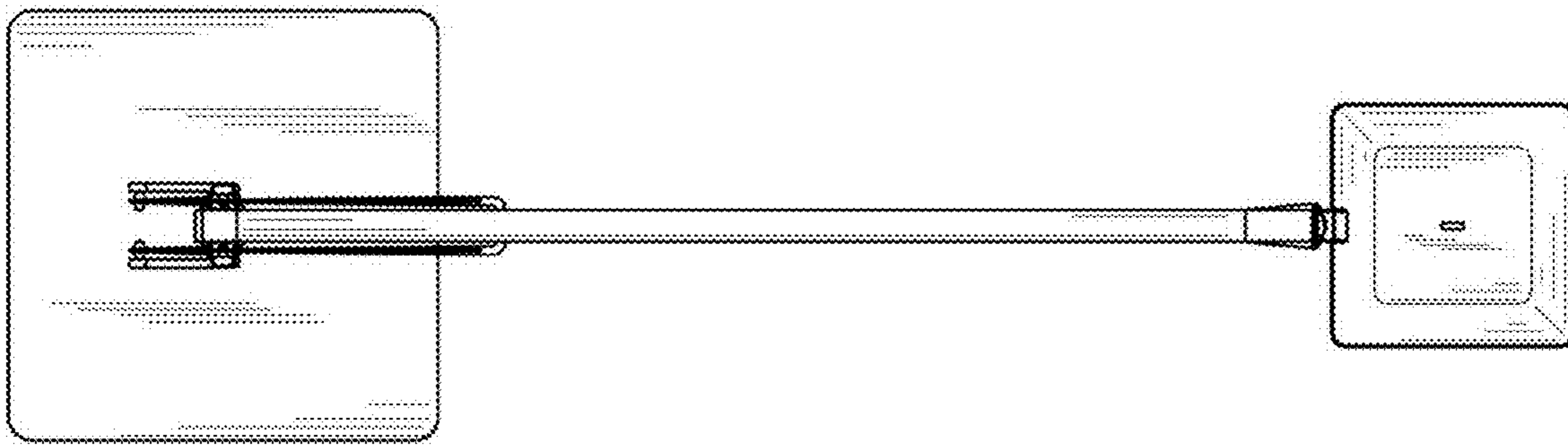
1.5



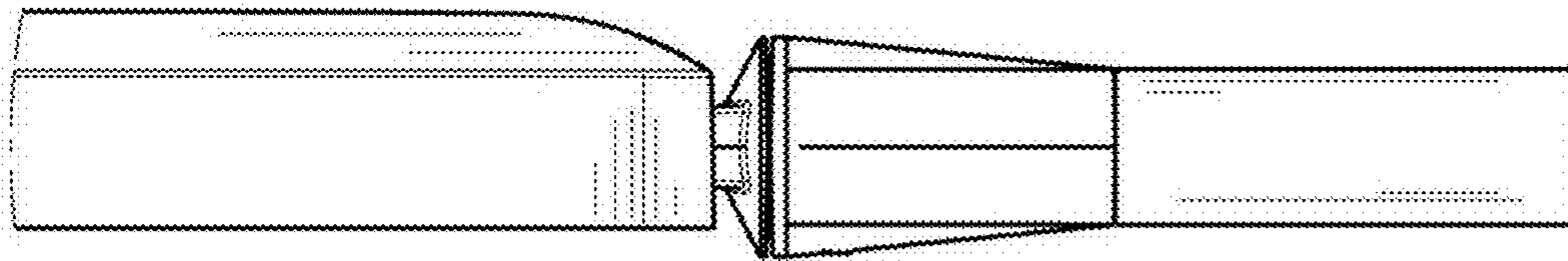
1.6



1.7



1.8



1.9

