



US00D777968S

(12) **United States Design Patent** (10) **Patent No.:** **US D777,968 S**
Redfern (45) **Date of Patent:** **** Jan. 31, 2017**

(54) **LUMINAIRE**

(71) Applicant: **Zumtobel Lighting GmbH**, Lemgo (DE)

(72) Inventor: **Christopher Redfern**, Henley-on-Thames (GB)

(73) Assignee: **ZUMTOBEL LIGHTING GMBH**, Lemgo (DE)

(**) Term: **15 Years**

(21) Appl. No.: **29/539,385**

(22) Filed: **Sep. 14, 2015**

(30) **Foreign Application Priority Data**

Mar. 13, 2015 (EP) 002 652 966

(51) **LOC (10) Cl.** **26-05**

(52) **U.S. Cl.**
USPC **D26/74**

(58) **Field of Classification Search**
USPC D26/74, 72, 75, 76, 77, 78, 85, 88, 89,
D26/118, 138, 141

CPC F21V 29/2262; F21V 7/06; F21V 21/044;
F21V 21/047; F21V 29/2212; F21V
29/2225; F21V 29/2256; F21V 29/225;
F21V 29/2268; F21Y 2111/002; F21S
8/02; F21S 8/026

See application file for complete search history.

(56) **References Cited**

U.S. PATENT DOCUMENTS

D551,379 S * 9/2007 Maxik D26/74
D569,024 S * 5/2008 Redfern D26/74

D624,686 S * 9/2010 Toney, Jr. D26/72
D632,821 S * 2/2011 Culbert D26/74
D652,559 S * 1/2012 Beghelli D26/74
D673,712 S * 1/2013 Patel D26/74
D696,447 S * 12/2013 Huh D26/74
D697,651 S * 1/2014 Carpenter D26/74
D698,974 S * 2/2014 Aniserowicz D26/74
D711,036 S * 8/2014 Salomon D26/74
D715,476 S * 10/2014 Tien D26/74
D740,996 S * 10/2015 Tragatschnig D26/118
2016/0018098 A1 * 1/2016 Kim F21V 29/2212
362/373

* cited by examiner

Primary Examiner — Angela J Lee

(74) *Attorney, Agent, or Firm* — Scully, Scott, Murphy & Presser, P.C.

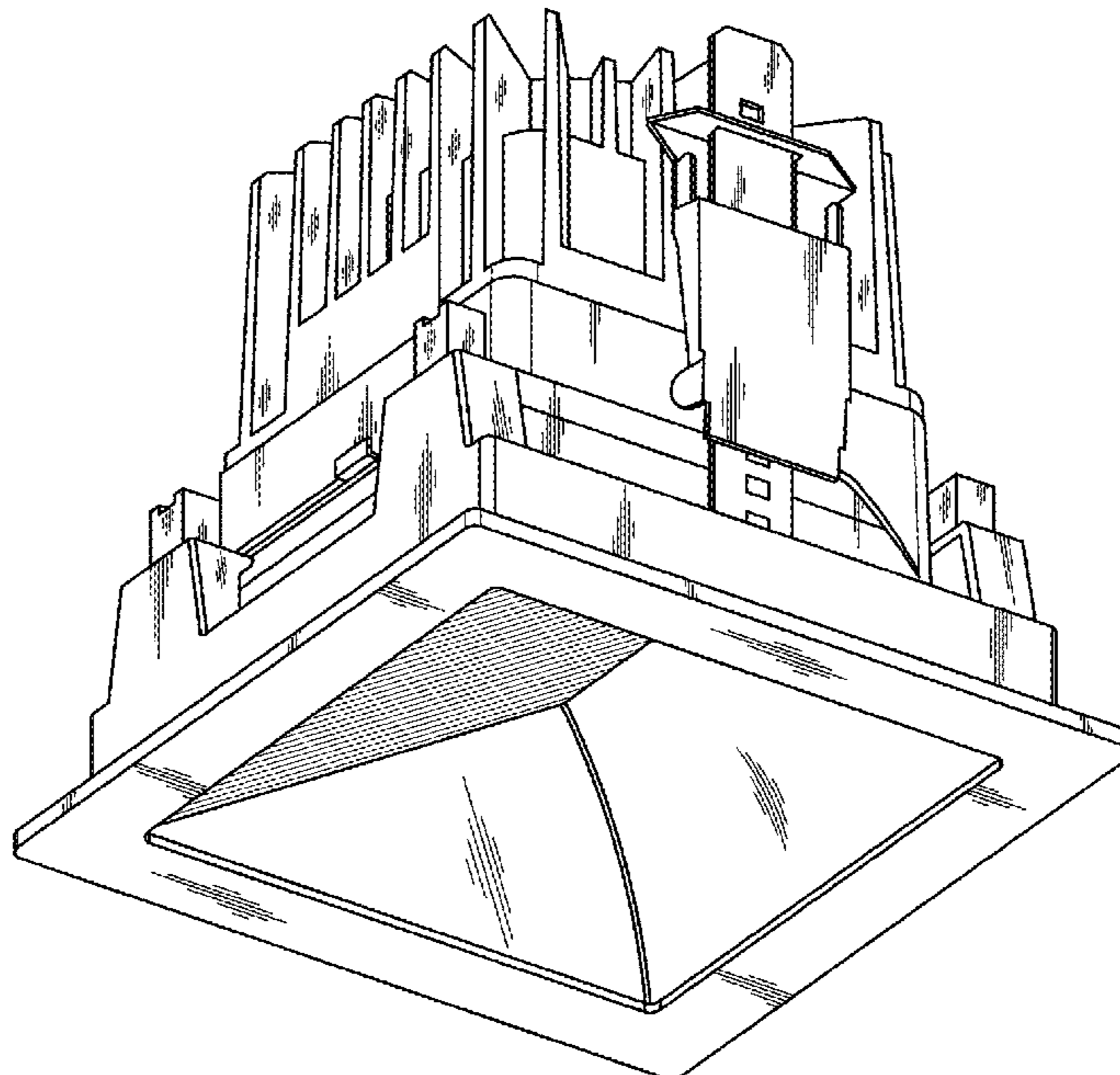
(57) **CLAIM**

The ornamental design for a luminaire, as shown and described.

DESCRIPTION

FIG. 1 illustrates a perspective view of the luminaire, showing my new and ornamental design; FIG. 2 illustrates a front view thereof; FIG. 3 illustrates a back view thereof; FIG. 4 illustrates a side view thereof; FIG. 5 illustrates a side view thereof opposite to FIG. 4; FIG. 6 illustrates a bottom thereof; and, FIG. 7 illustrates a top view thereof.

1 Claim, 7 Drawing Sheets



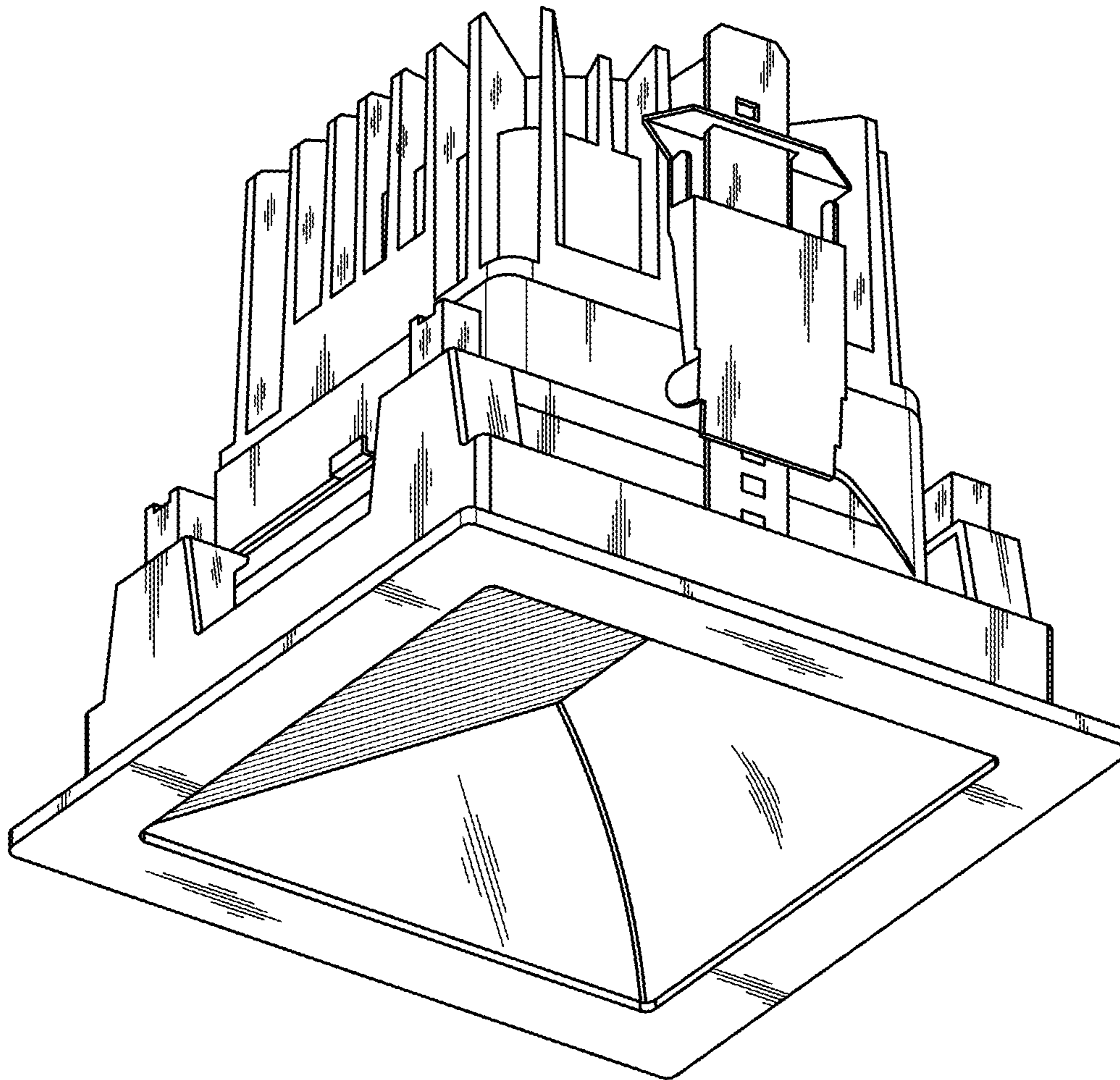


Fig. 1

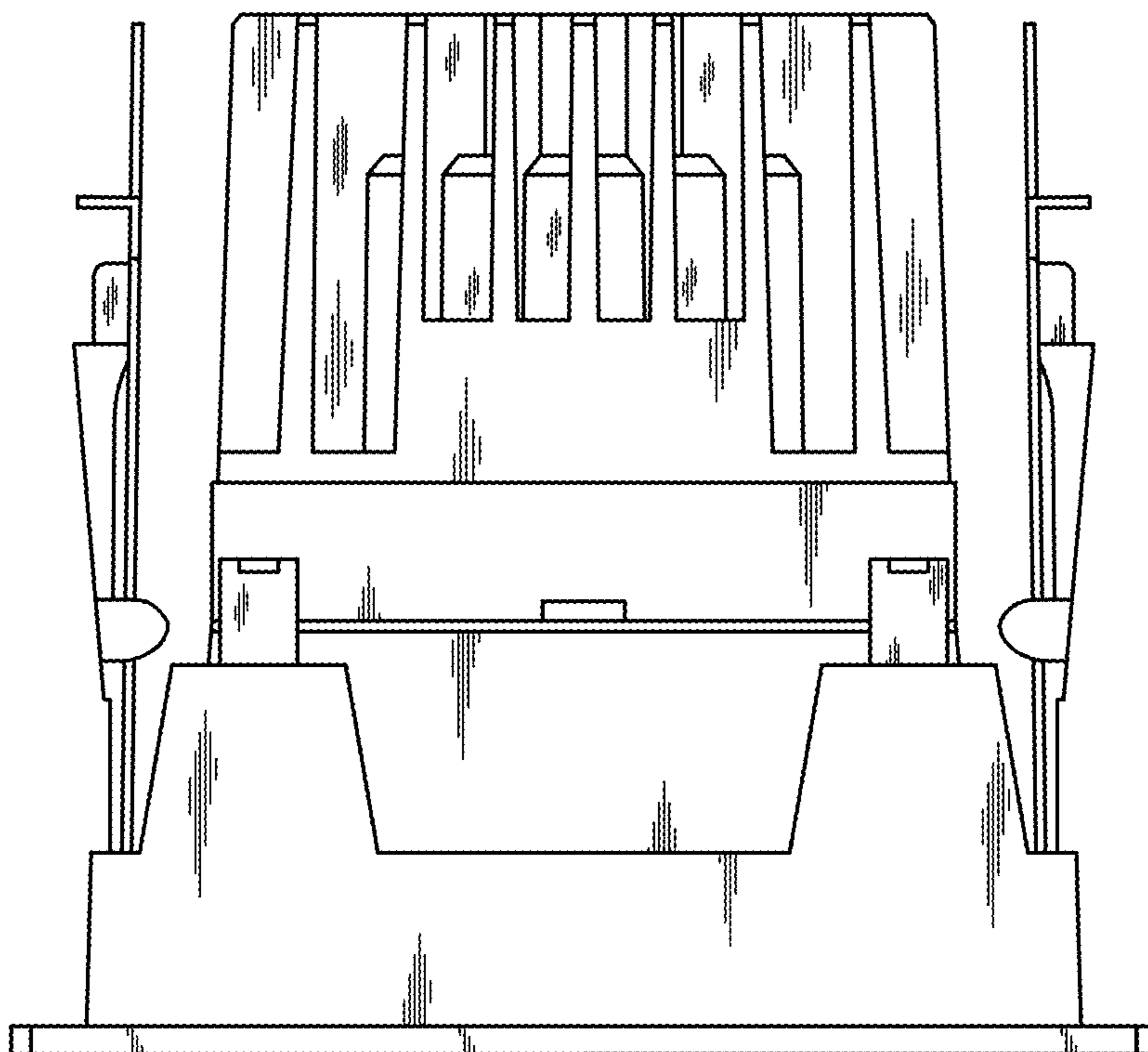


Fig. 2

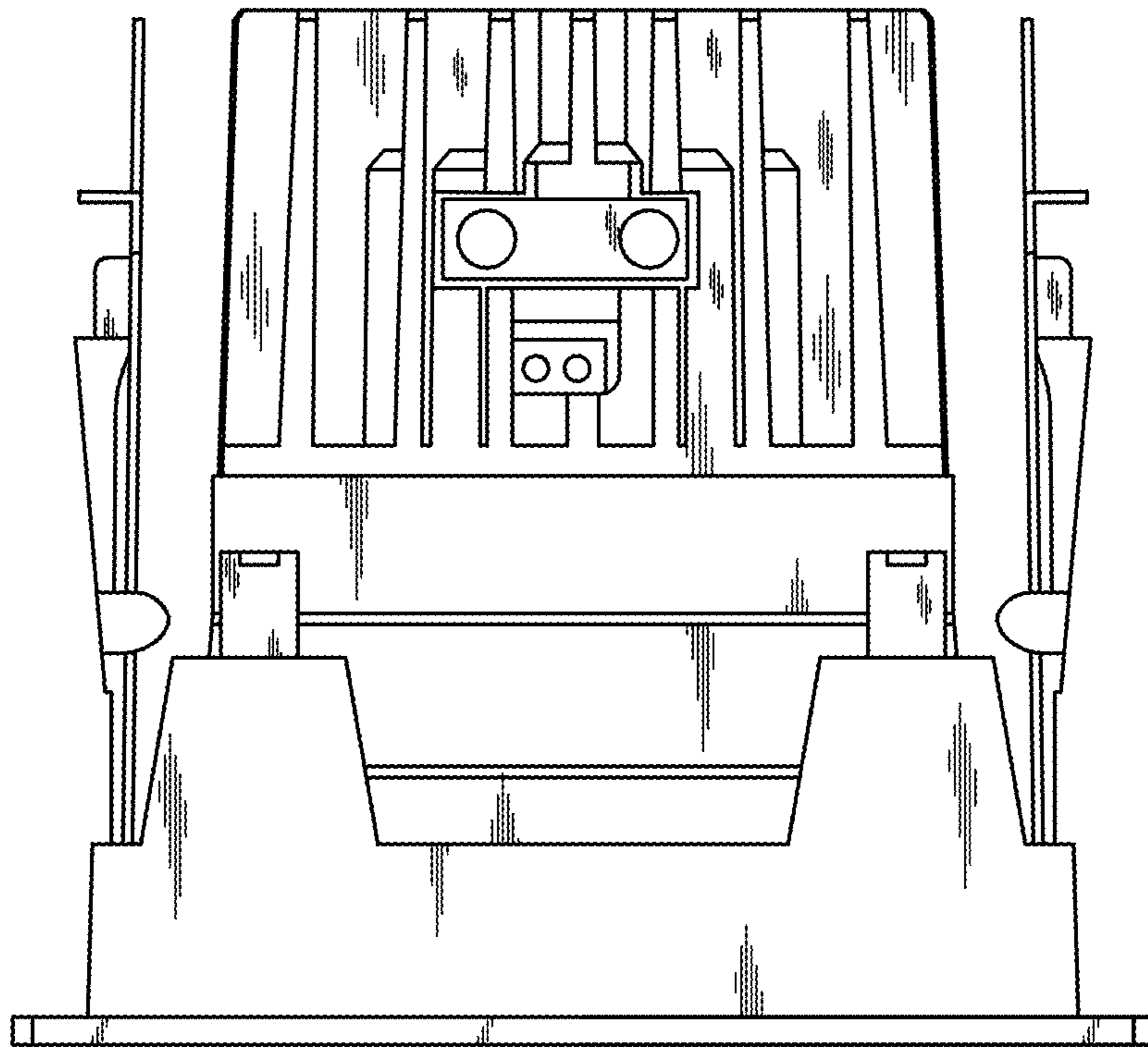


Fig. 3

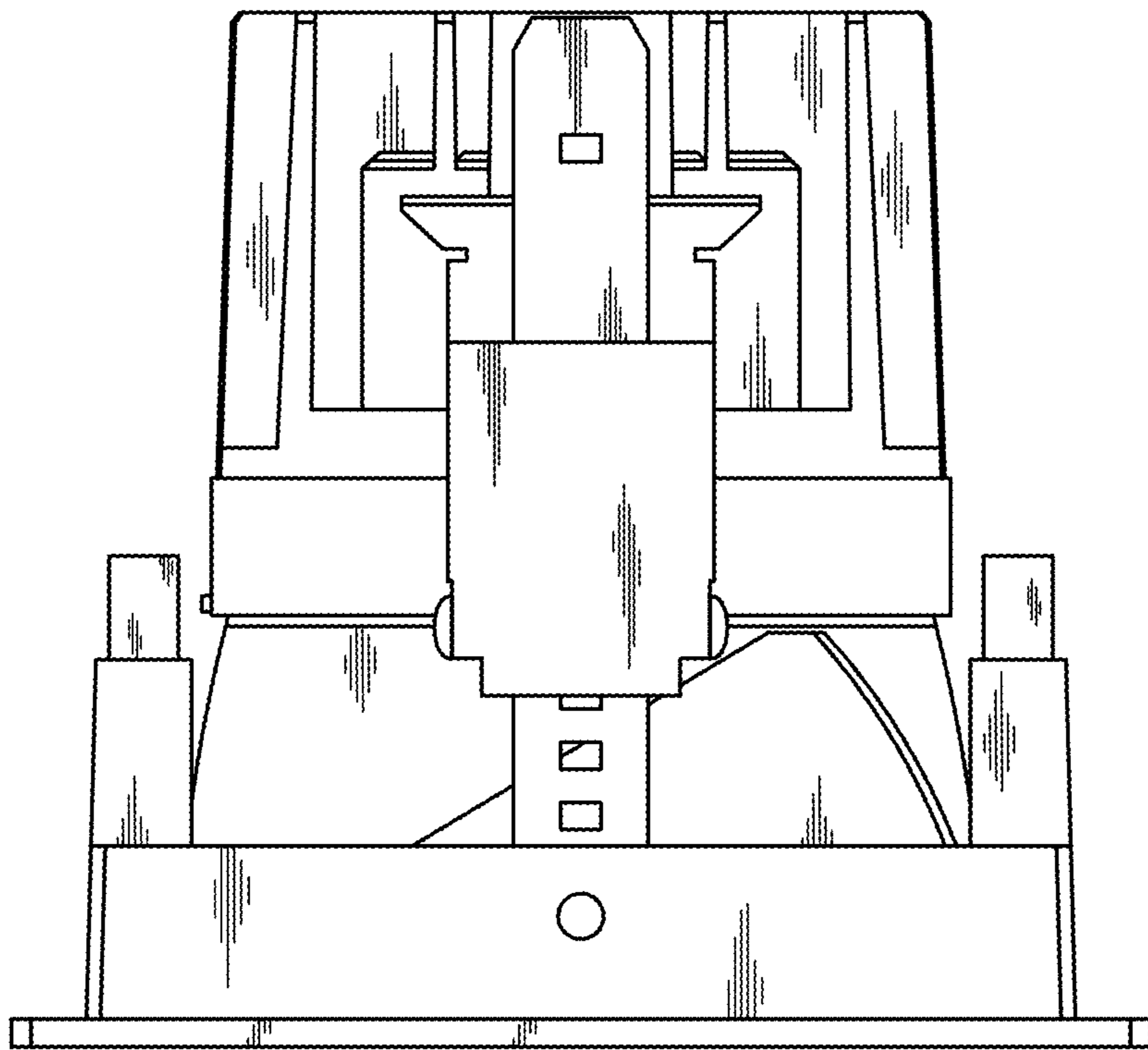


Fig. 4

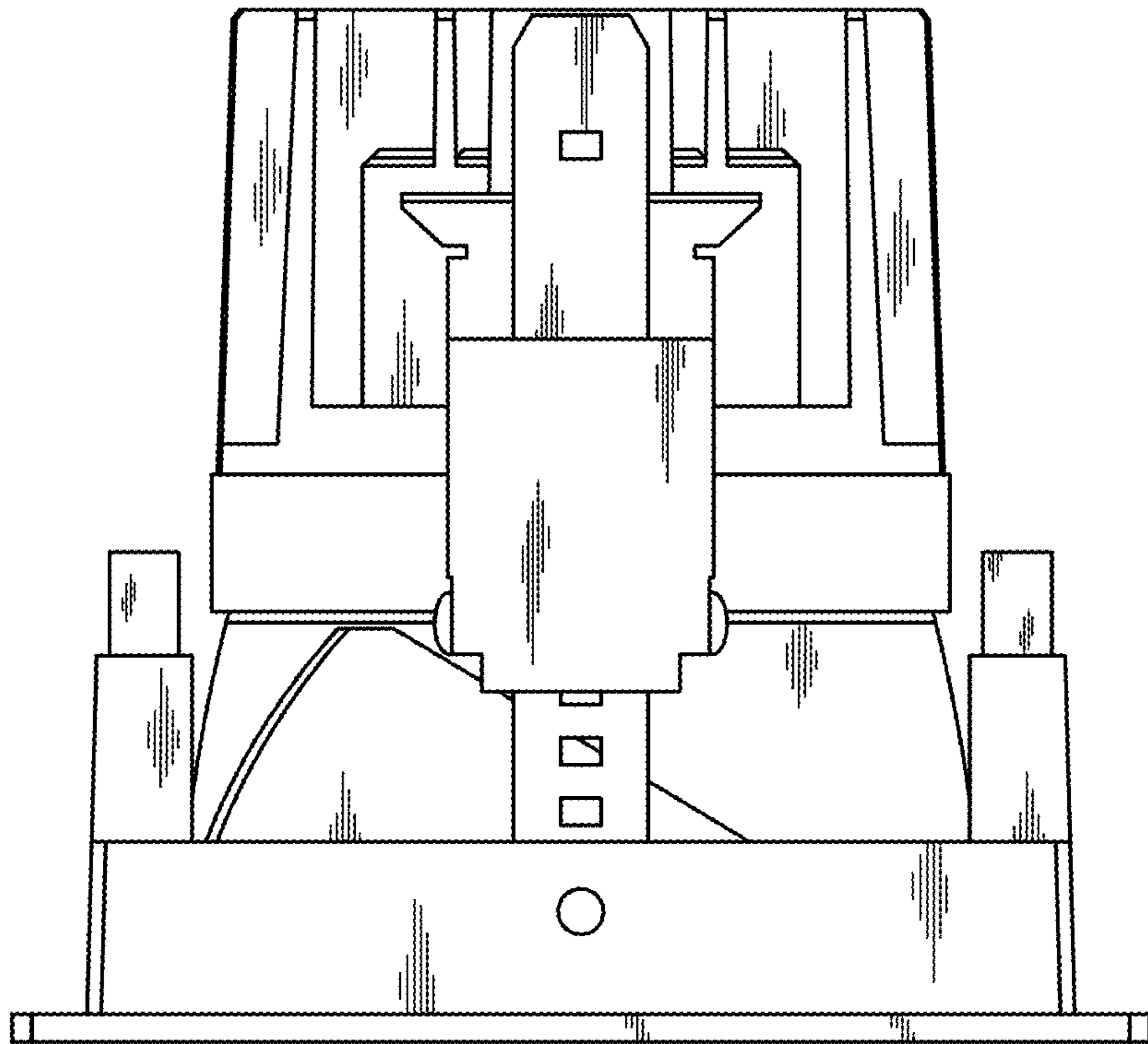


Fig. 5

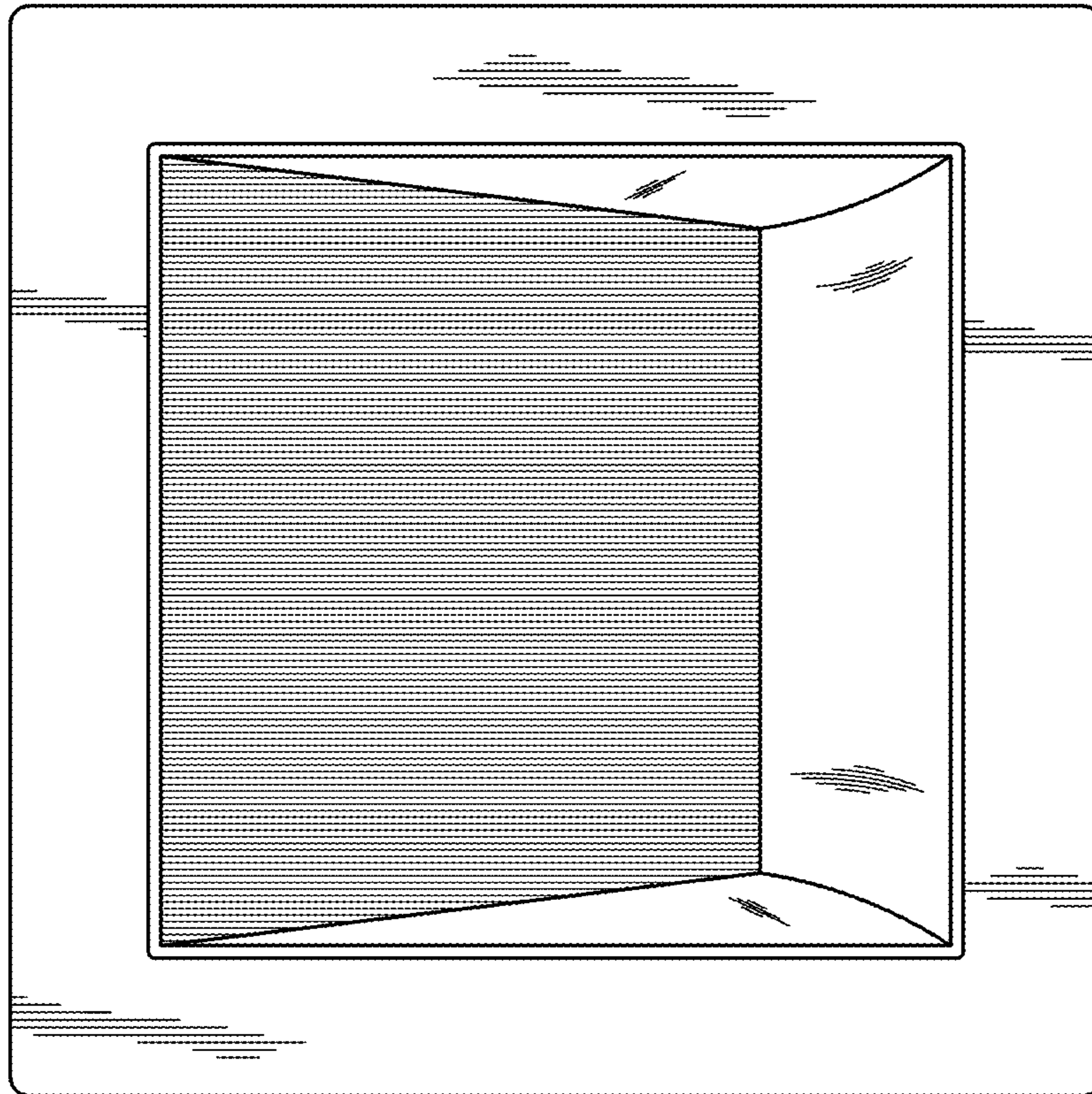


Fig. 6

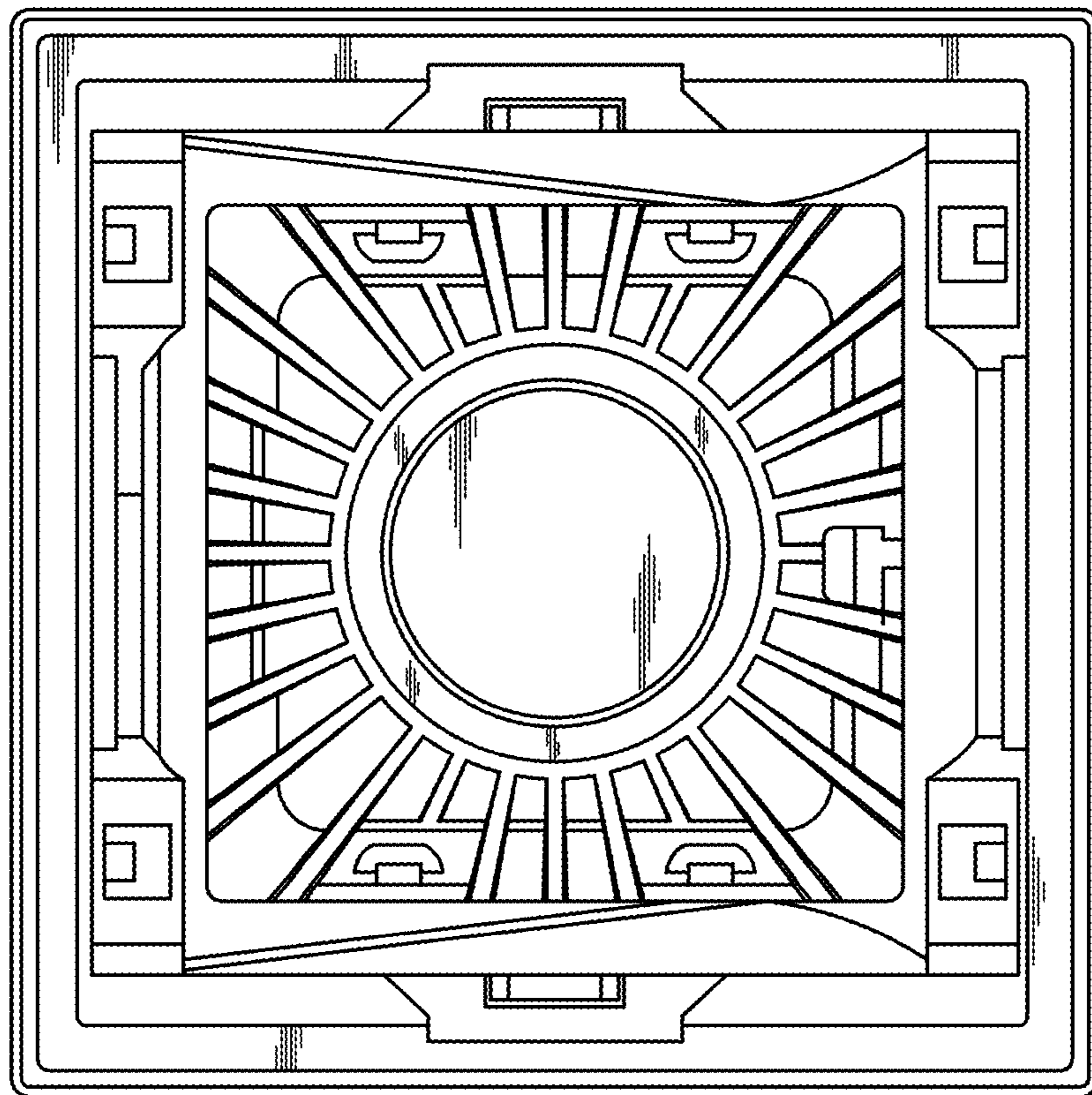


Fig. 7