



US00D777966S

(12) **United States Design Patent**
Jeswani et al.

(10) **Patent No.:** **US D777,966 S**

(45) **Date of Patent:** **** *Jan. 31, 2017**

- (54) **DOWNLIGHT LUMINAIRE**
- (71) Applicant: **LEDVANCE LLC**, Wilmington, MA (US)
- (72) Inventors: **Anil Jeswani**, Beverly, MA (US);
Zhiming Huang, Taoyuan (CN)
- (*) Notice: This patent is subject to a terminal disclaimer.
- (**) Term: **14 Years**
- (21) Appl. No.: **29/525,351**
- (22) Filed: **Apr. 29, 2015**
- (51) **LOC (10) Cl.** **26-05**
- (52) **U.S. Cl.**
USPC **D26/74**
- (58) **Field of Classification Search**
USPC D26/74, 72, 75, 76, 77, 78, 85, 88, 89,
D26/118, 138, 141; 362/364, 365, 373,
362/145, 146, 147, 148, 150, 153, 153.1,
362/294, 296.01, 296.07, 296.08
CPC F21V 29/2262; F21V 7/06; F21V 21/044;
F21V 21/047; F21V 29/2212; F21V
29/2225; F21V 29/2256; F21V 29/225;
F21V 29/2268; F21Y 2111/002; F21S
8/02; F21S 8/026
See application file for complete search history.

D681,860 S *	5/2013	Soni	D26/74
D684,286 S *	6/2013	Rashidi	D26/74
D684,288 S *	6/2013	Gielen	D26/74
D690,451 S *	9/2013	Rashidi	D26/74
D690,865 S *	10/2013	Rashidi	D26/74
D691,314 S *	10/2013	Rashidi	D26/74
D706,479 S	6/2014	Jeswani et al.	

OTHER PUBLICATIONS

Applicant's Assignee's co-pending Design U.S. Appl. No. 29/491,767, filed May 23, 2014.

* cited by examiner

Primary Examiner — Angela J Lee
(74) *Attorney, Agent, or Firm* — Andrew Martin

(57) **CLAIM**

The ornamental design for a downlight luminaire, as shown and described.

DESCRIPTION

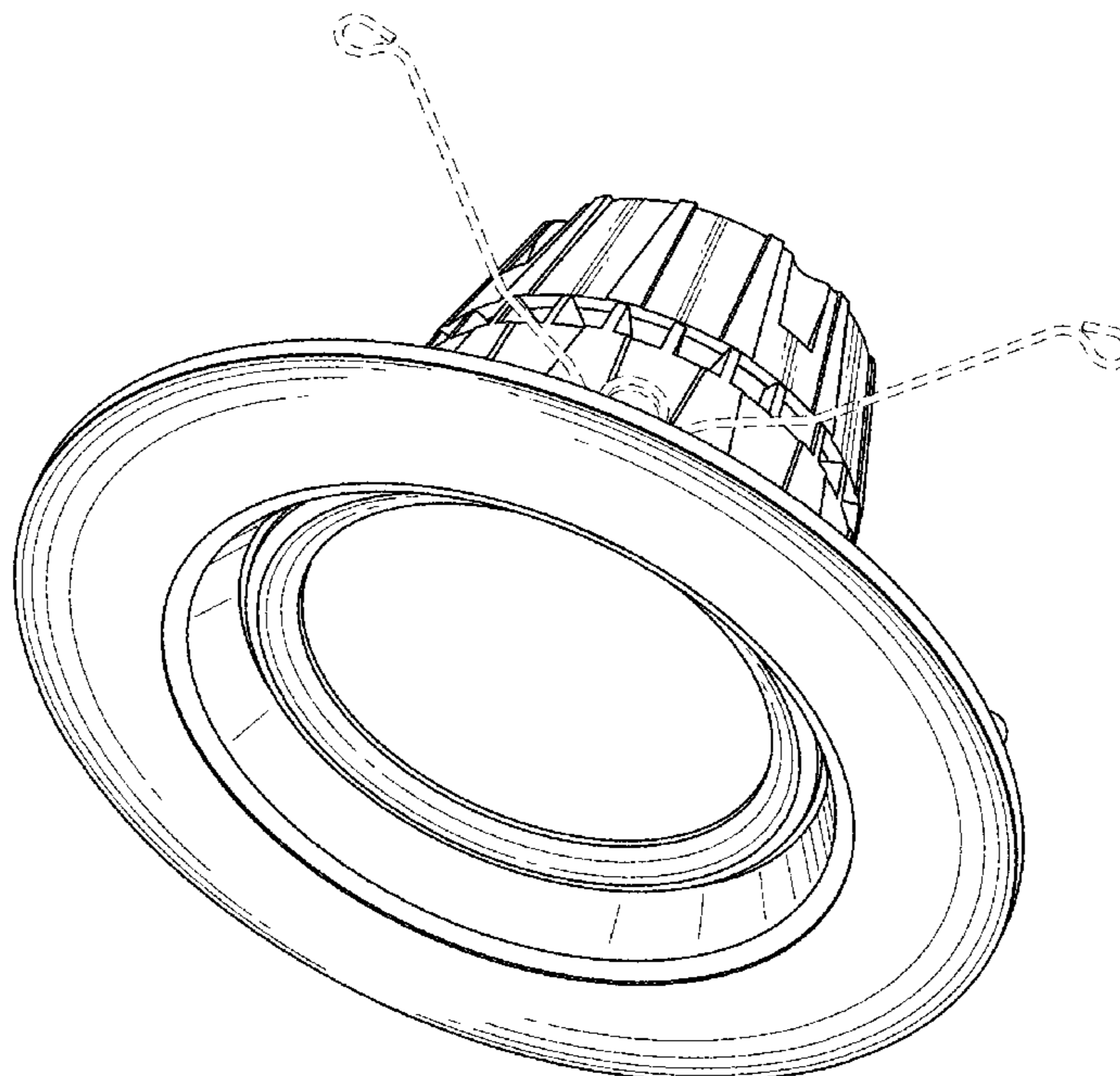
FIG. 1 is a front perspective view of the ornamental design for the downlight luminaire;
 FIG. 2 is a front view thereof;
 FIG. 3 is a right side elevational view thereof;
 FIG. 4 is a first side elevational view seen rotated 45 degrees from the view of FIG. 3;
 FIG. 5 is a second side elevational view seen rotated 45 degrees from the view of FIG. 4;
 FIG. 6 is a rear view thereof; and,
 FIG. 7 is a rear perspective view thereof.
 The broken line disclosure is for environmental purposes only, and does not form a part of the claimed design.

1 Claim, 7 Drawing Sheets

(56) **References Cited**

U.S. PATENT DOCUMENTS

D678,583 S *	3/2013	Jeswani	D26/74
D678,584 S *	3/2013	Schmitt	D26/74
D678,585 S *	3/2013	Schmitt	D26/74
D679,043 S	3/2013	Jeswani et al.	



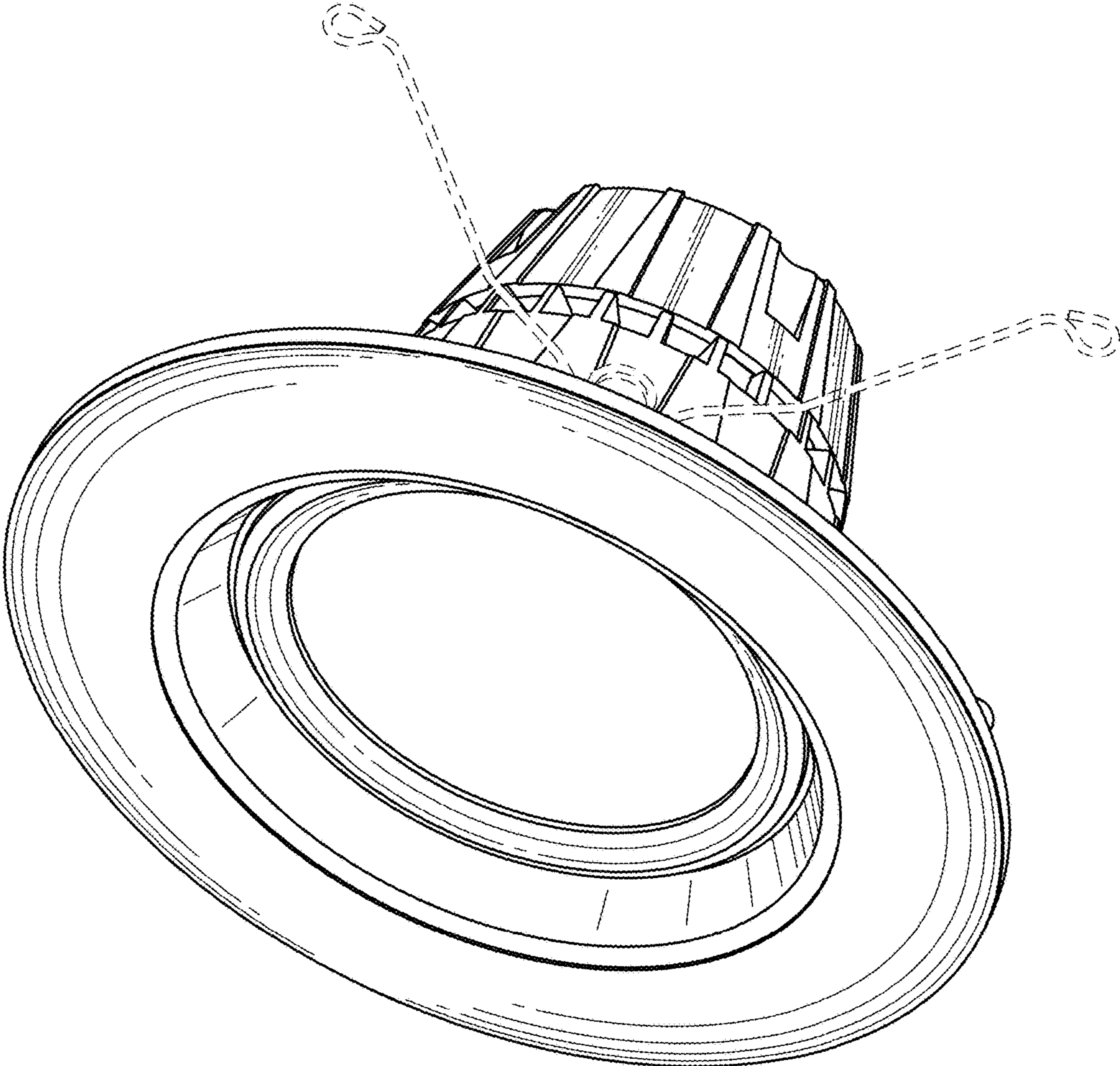


FIG. 1

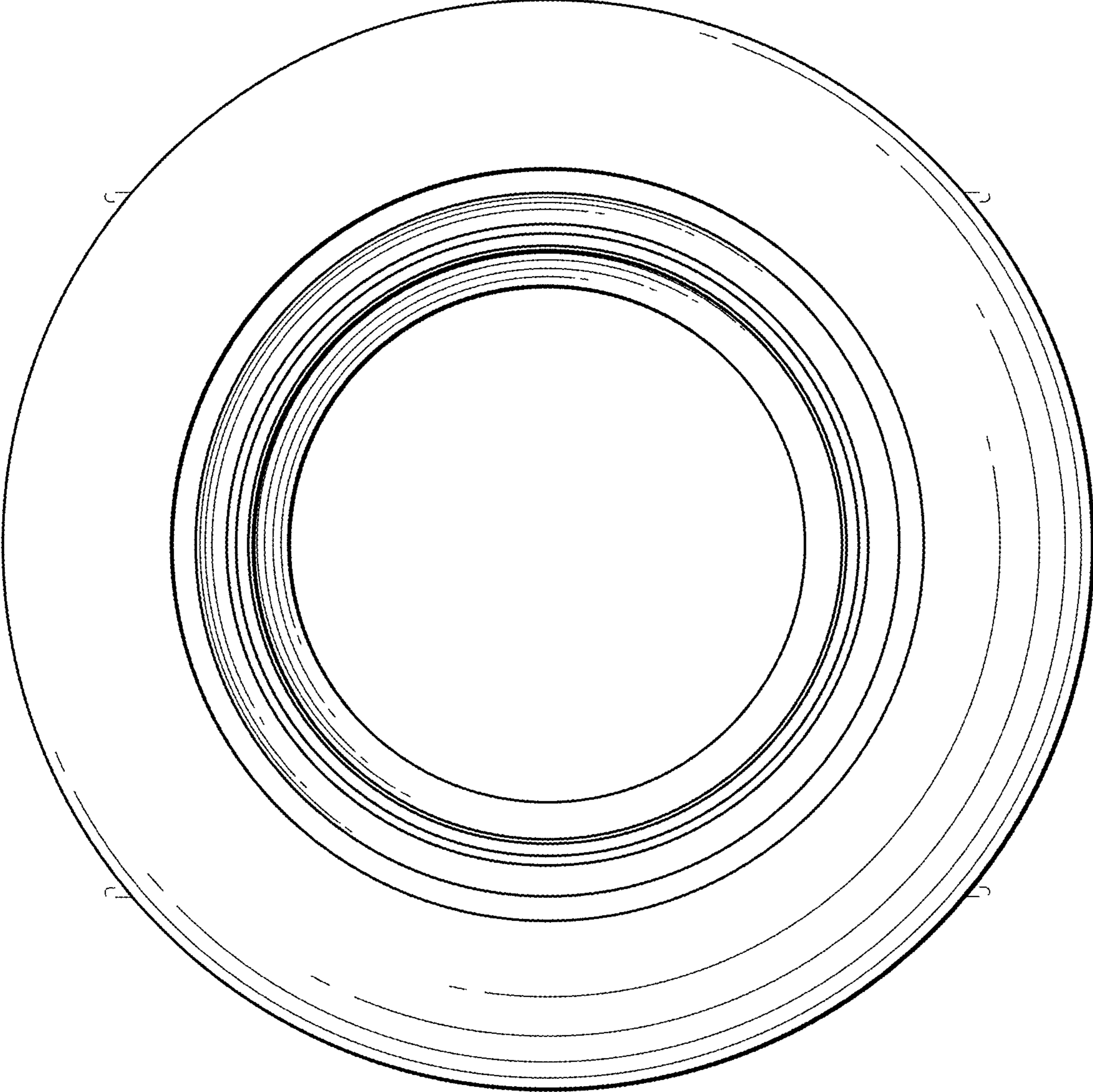


FIG. 2

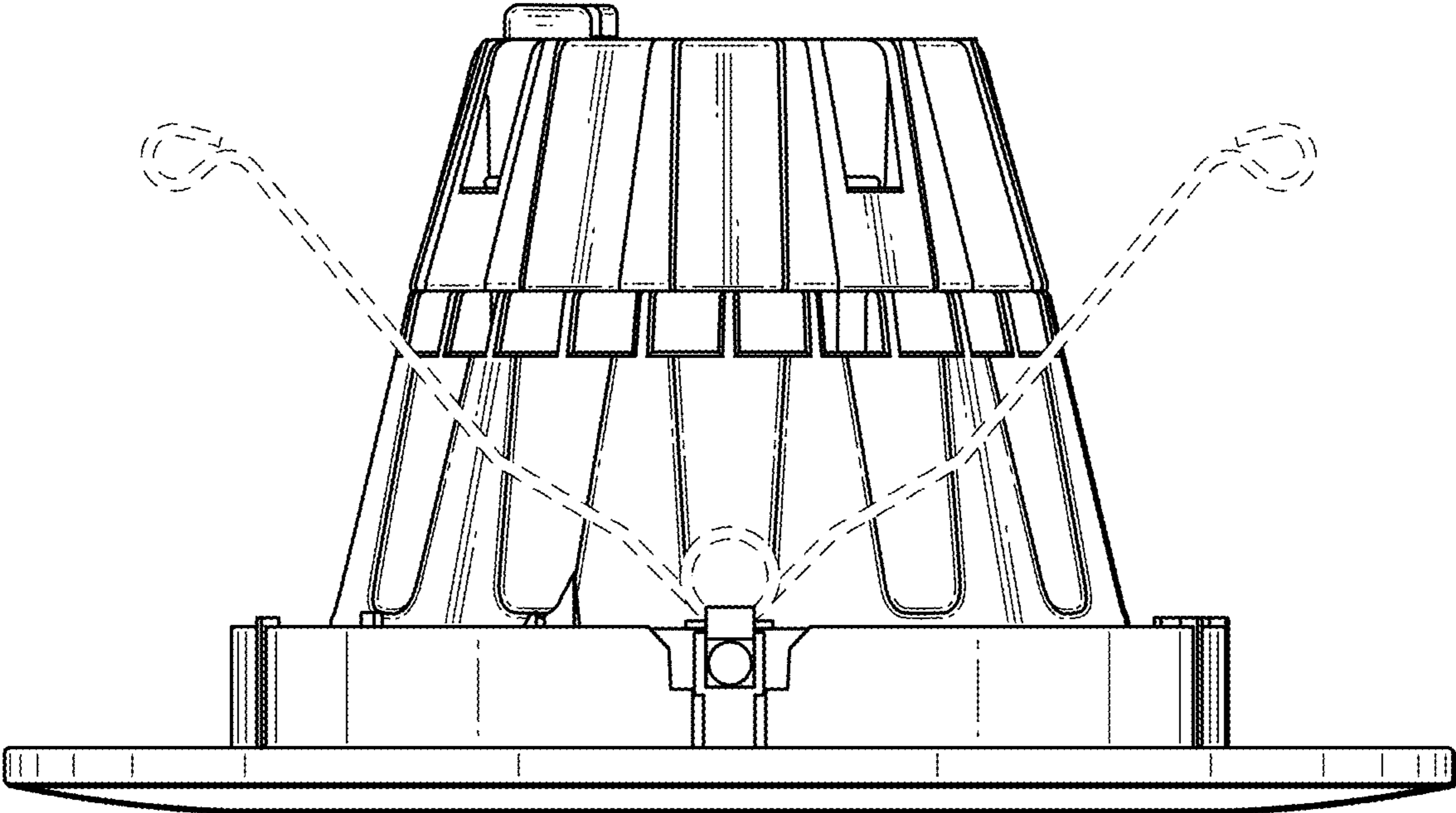


FIG. 3

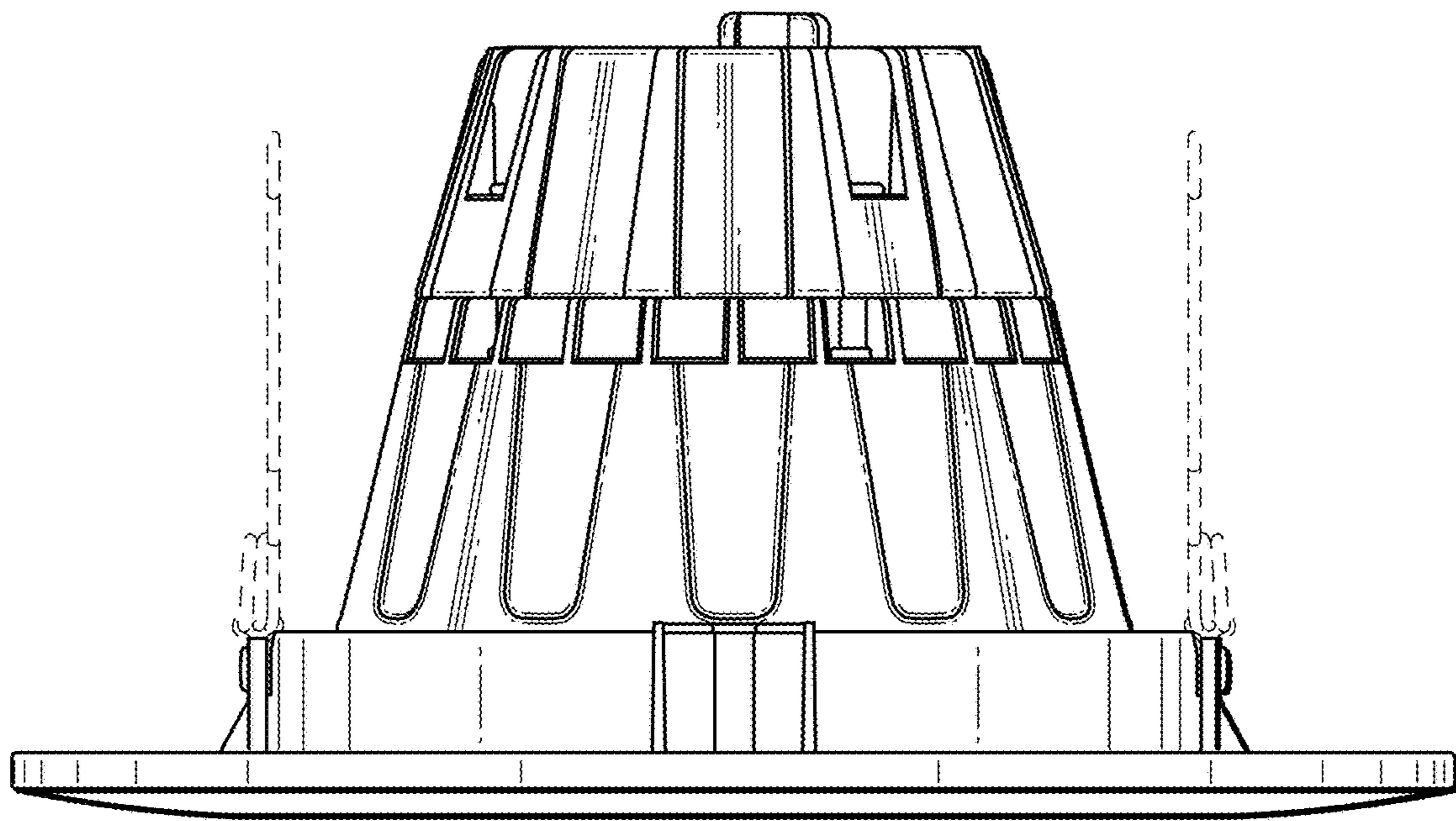


FIG. 4

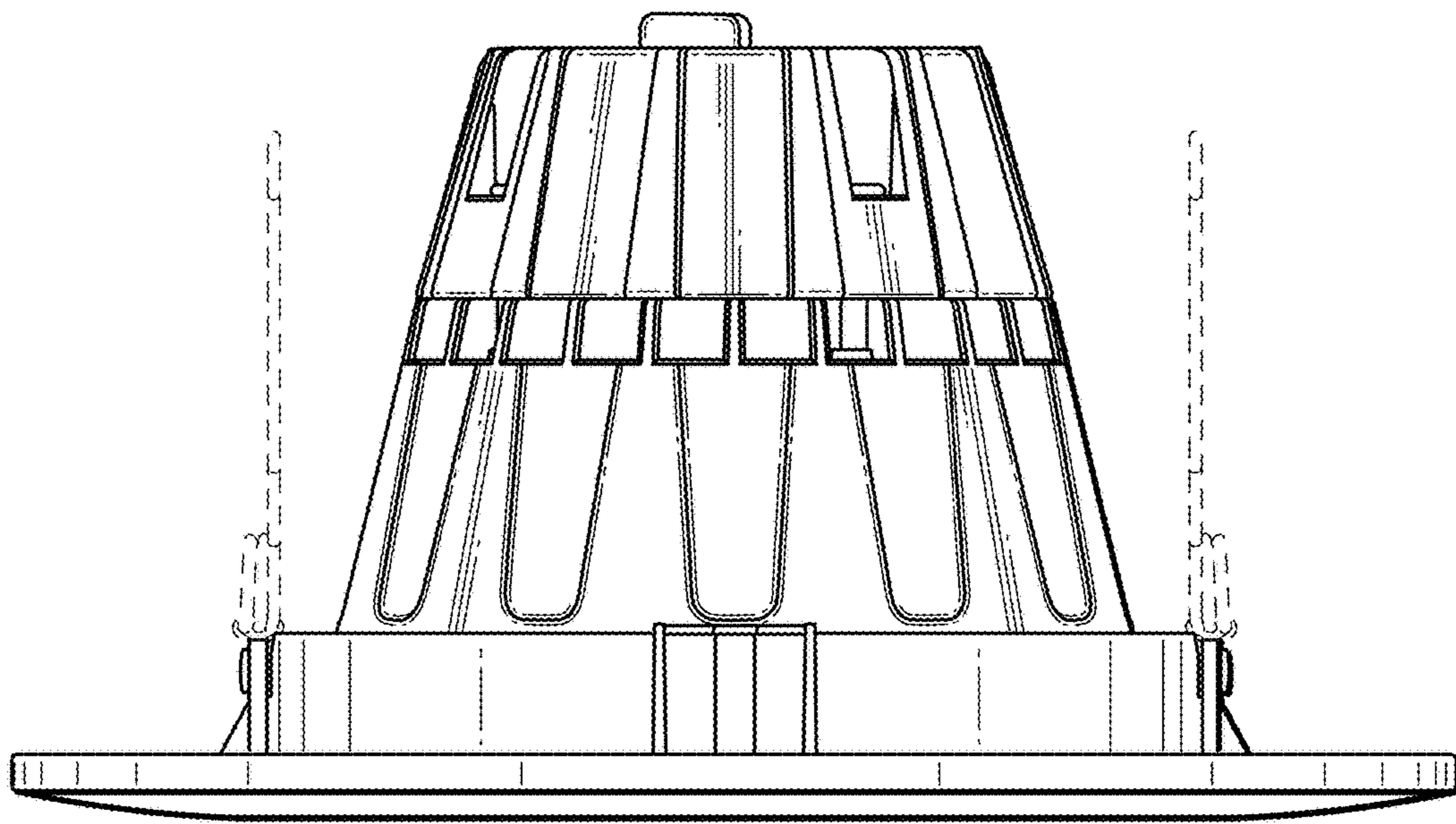


FIG. 5

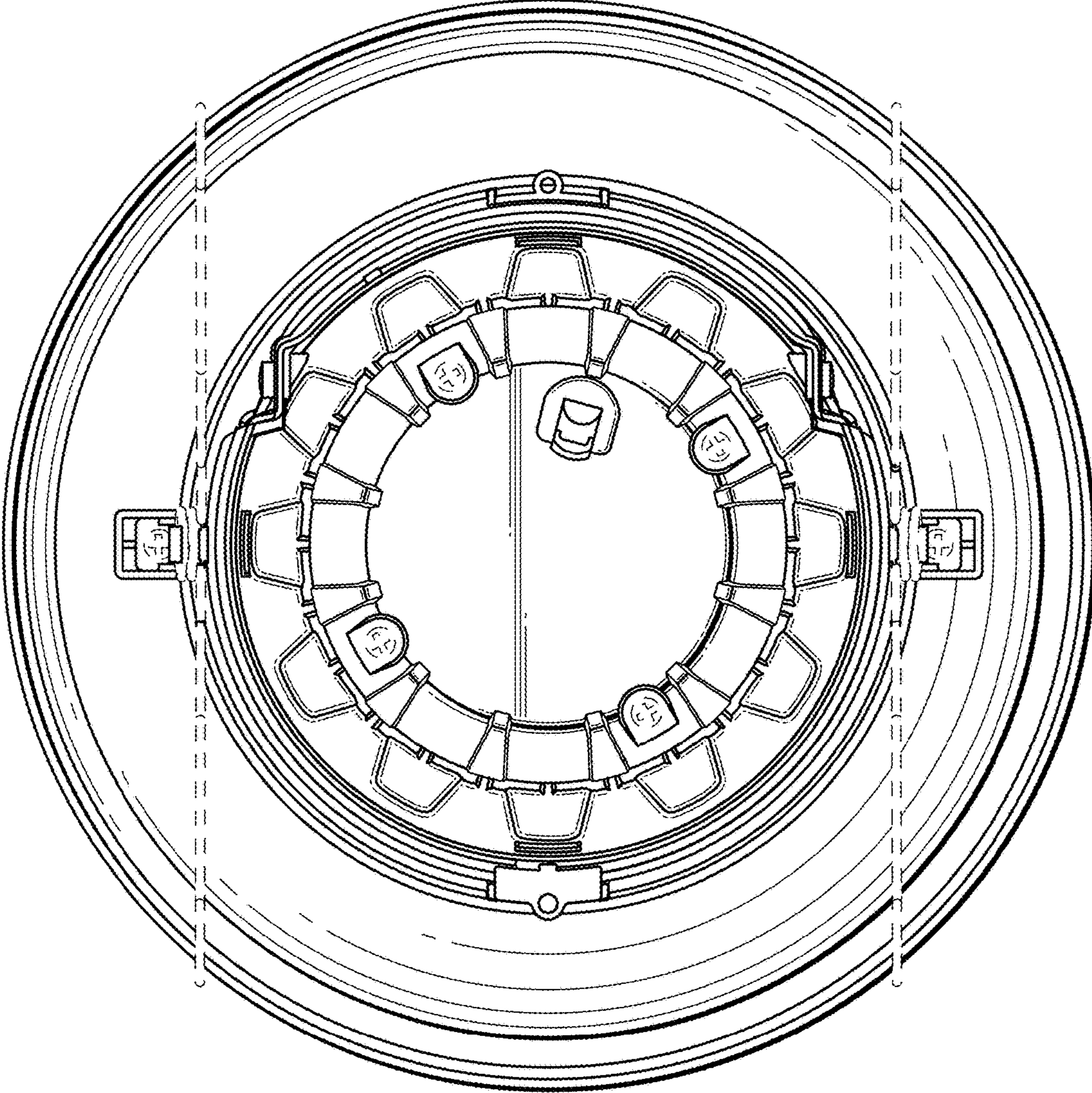


FIG. 6

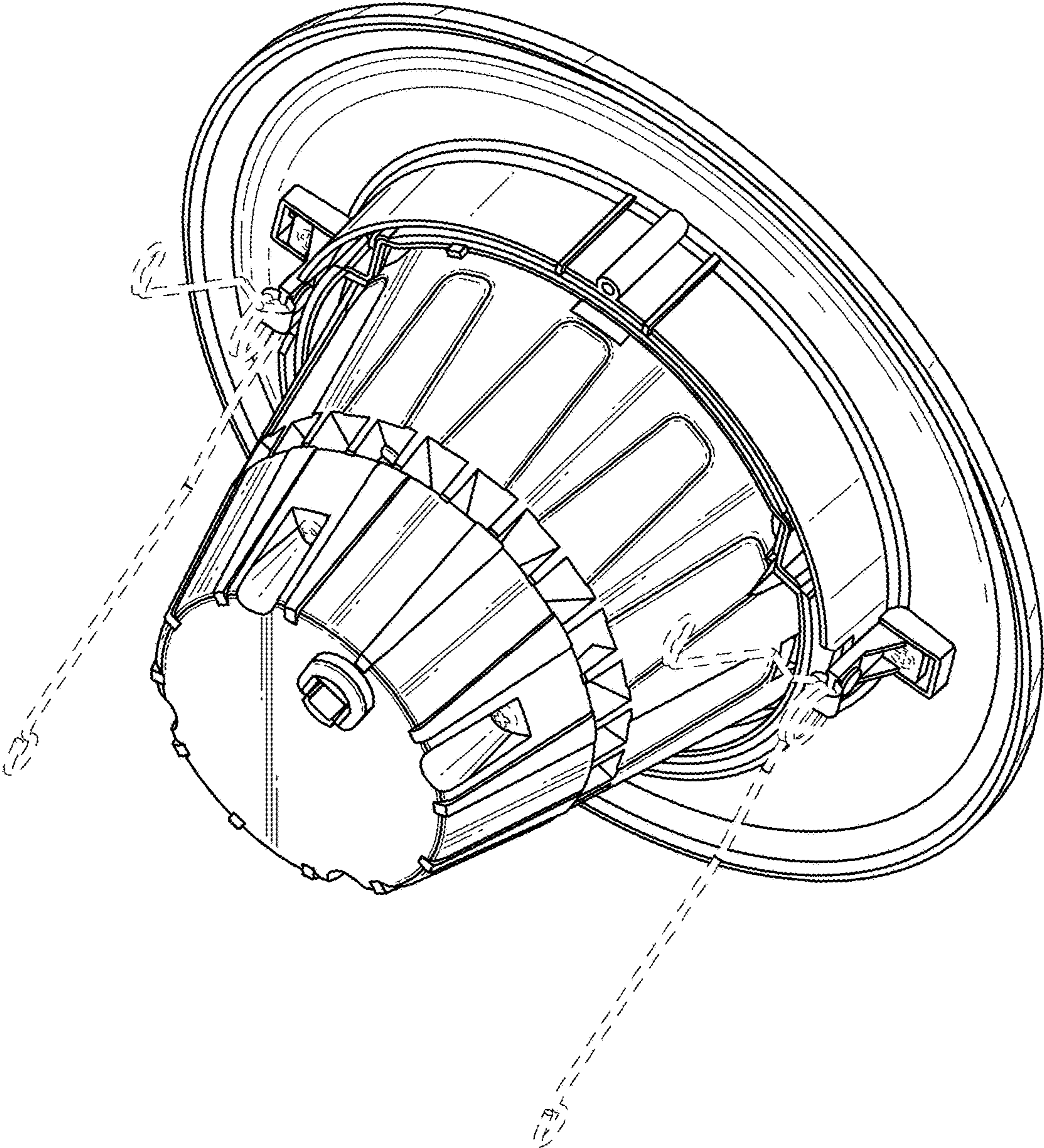


FIG. 7